



US00D401000S

United States Patent [19]
Herst

[11] **Patent Number: Des. 401,000**
[45] **Date of Patent: **Nov. 10, 1998**

[54] **DIRECT-INDIRECT LUMINAIRE HOUSING**

[75] Inventor: **Douglas J. Herst**, Ross, Calif.

[73] Assignee: **Peerless Lighting Corporation**,
Berkeley, Calif.

[**] Term: **14 Years**

[21] Appl. No.: **54,872**

[22] Filed: **May 23, 1996**

[51] **LOC (6) Cl.** **26-03**

[52] **U.S. Cl.** **D26/76**

[58] **Field of Search** D26/24, 72, 75,
D26/76, 77, 78, 81, 85; 362/147, 218, 219,
220, 221, 223, 224

[56] **References Cited**

U.S. PATENT DOCUMENTS

D. 344,605	2/1994	Aspenwall	D26/76
D. 362,315	9/1995	Herst et al.	D26/76
D. 363,805	10/1995	Cole, Jr.	D26/76
D. 365,651	12/1995	Herst et al.	D26/77
4,351,017	9/1982	Ball	362/147

FOREIGN PATENT DOCUMENTS

867323 5/1961 United Kingdom 362/221

OTHER PUBLICATIONS

Peerless Catalog Brochure, "Envision", 1994.

Primary Examiner—Susan J. Lucas
Attorney, Agent, or Firm—Donald L. Beeson

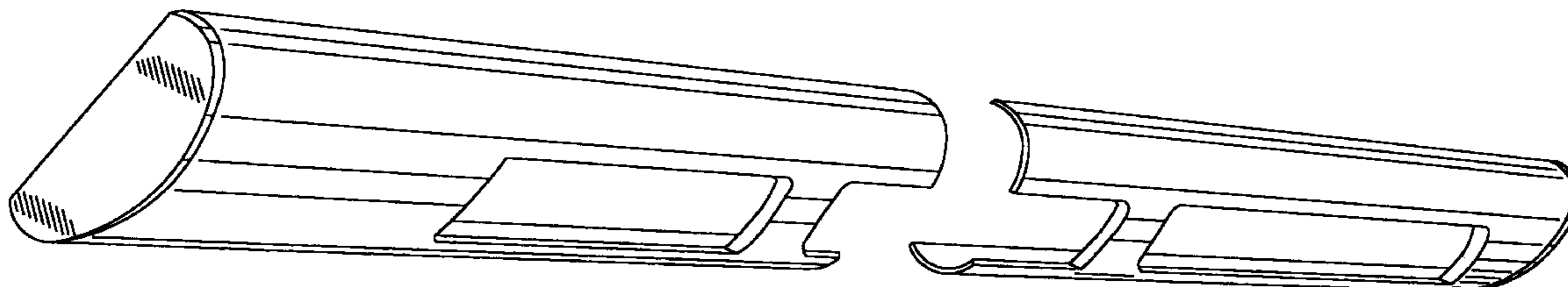
[57] **CLAIM**

The ornamental design for a direct-indirect luminaire housing, as shown and described.

DESCRIPTION

FIG. 1 is a broken away bottom perspective view of a direct-indirect luminaire housing in accordance with our new design;
FIG. 2 is a broken away bottom plan view thereof;
FIG. 3 is a broken away front elevational view thereof, the rear being a mirror image thereof; and,
FIG. 4 is a left side elevational view thereof, the right side being a mirror image thereof.
FIGS. 1-3 are broken away to indicate indeterminate length.

1 Claim, 1 Drawing Sheet



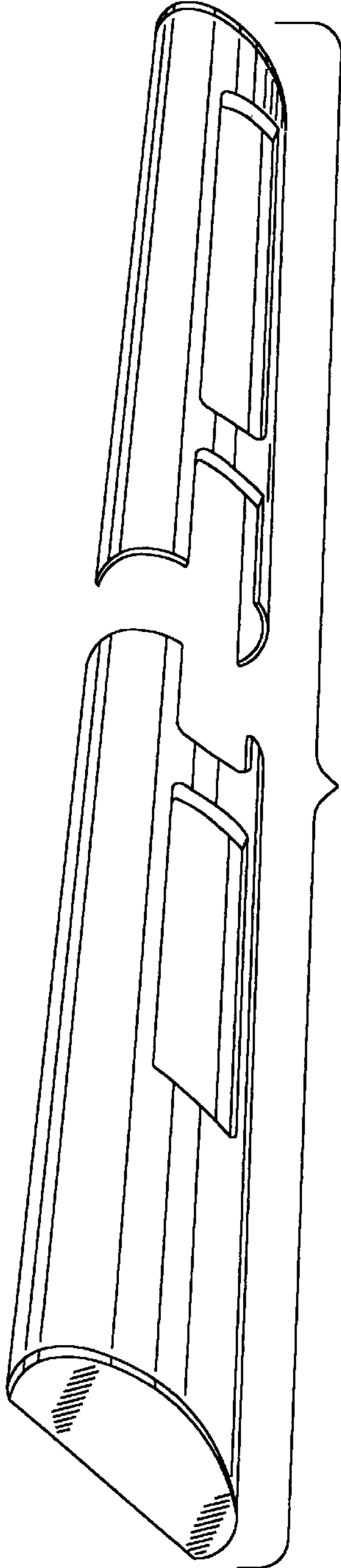


FIG. 1

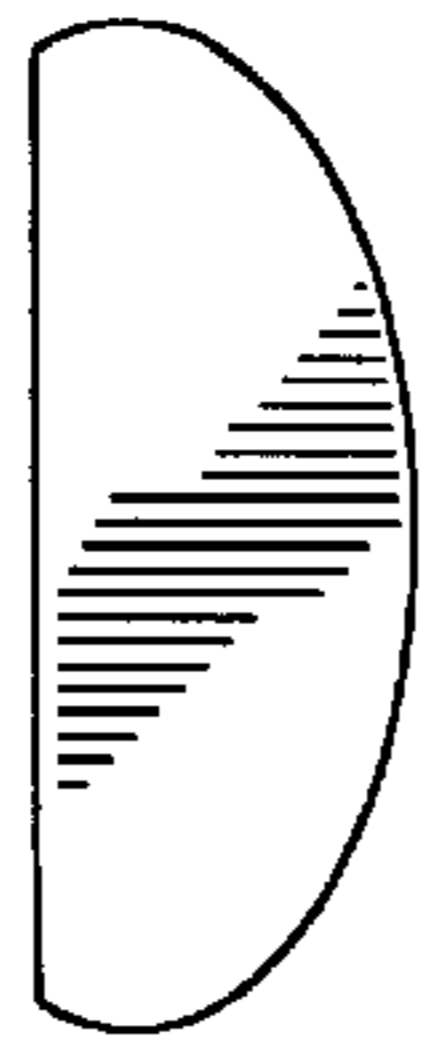


FIG. 4

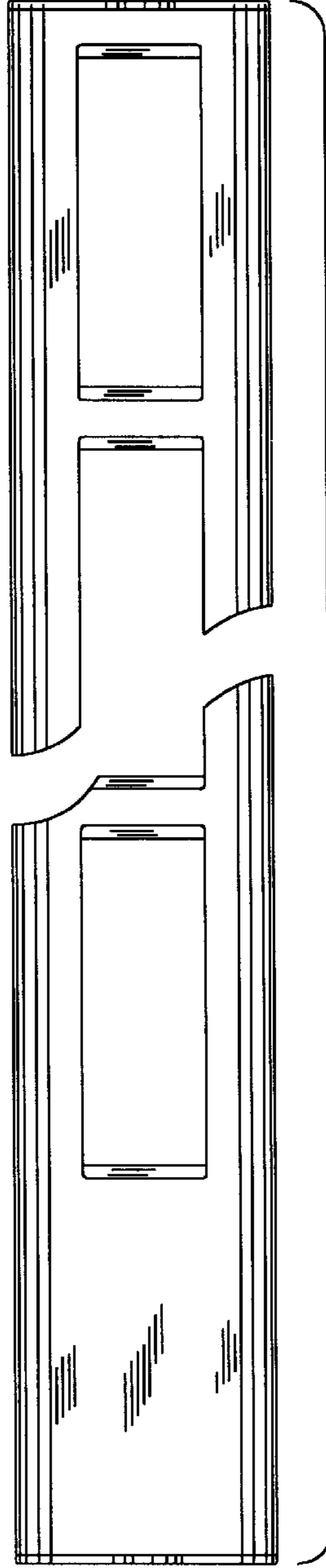


FIG. 2

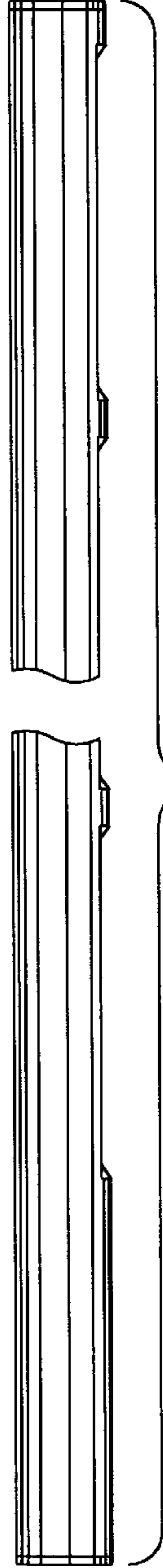


FIG. 3