



US00D400998S

# United States Patent [19]

[11] Patent Number: **Des. 400,998**

Leen

[45] Date of Patent: **\*\*Nov. 10, 1998**

[54] **MERCURY VAPOR LIGHT BASE FOR EXTERIOR LIGHTING FIXTURE**

4,595,971 6/1986 Dean ..... 362/431 X  
4,905,132 2/1990 Singarayar et al. .... 362/431 X

[76] Inventor: **Monte A. Leen**, 1804 W. Lake Sammamish Pkwy. NE., Bellevue, Wash. 98008

### OTHER PUBLICATIONS

175 Watt Mercury Vapor Security Light, Document #L-1700-175W-MV.

[\*] Notice: The term of this patent shall not extend beyond the expiration date of Pat. No. D. 394,516.

*Primary Examiner*—Susan J. Lucas  
*Attorney, Agent, or Firm*—Christensen, O'Connor, Johnson & Kindness PLLC

[\*\*] Term: **14 Years**

### [57] CLAIM

[21] Appl. No.: **67,737**

The ornamental design for a mercury vapor light base for exterior lighting fixture, as shown and described.

[22] Filed: **Mar. 11, 1997**

### DESCRIPTION

[51] **LOC (6) Cl.** ..... **26-03**

[52] **U.S. Cl.** ..... **D26/71**

[58] **Field of Search** ..... D26/24, 67-70,  
D26/72, 87, 92, 142; 362/147, 153, 362,  
431, 432

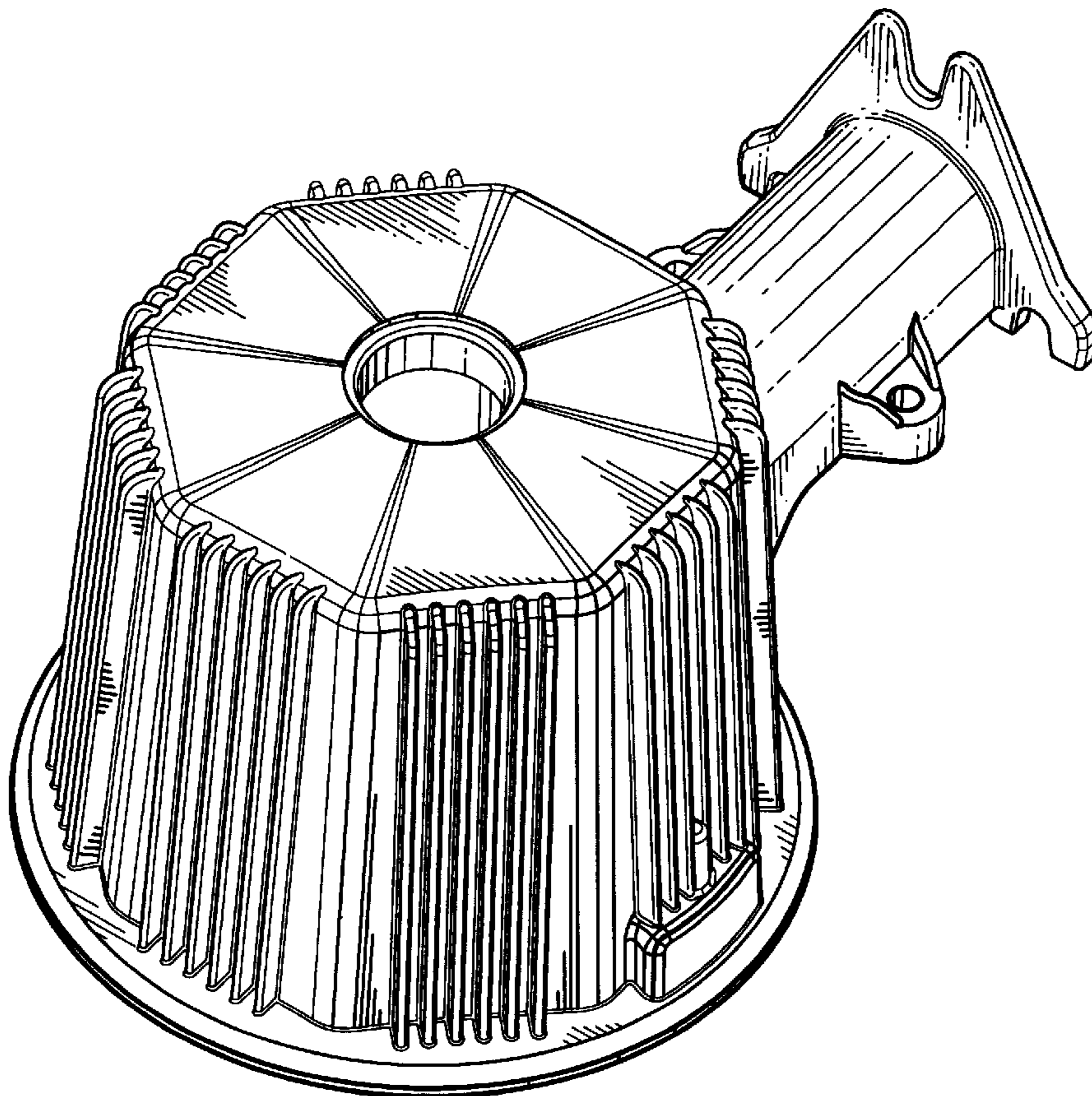
FIG. 1 is a top isometric view of a mercury vapor light base for exterior lighting fixture showing my new design; FIG. 2 is a bottom isometric view thereof; FIG. 3 is a top plan view thereof; FIG. 4 is a bottom plan view thereof; FIG. 5 is a back elevational view thereof; FIG. 6 is a front elevational view thereof; and, FIG. 7 is a side elevational view thereof with other elements of a mercury vapor light shown in phantom for illustrative purposes only and forming no part of the claimed design.

### [56] References Cited

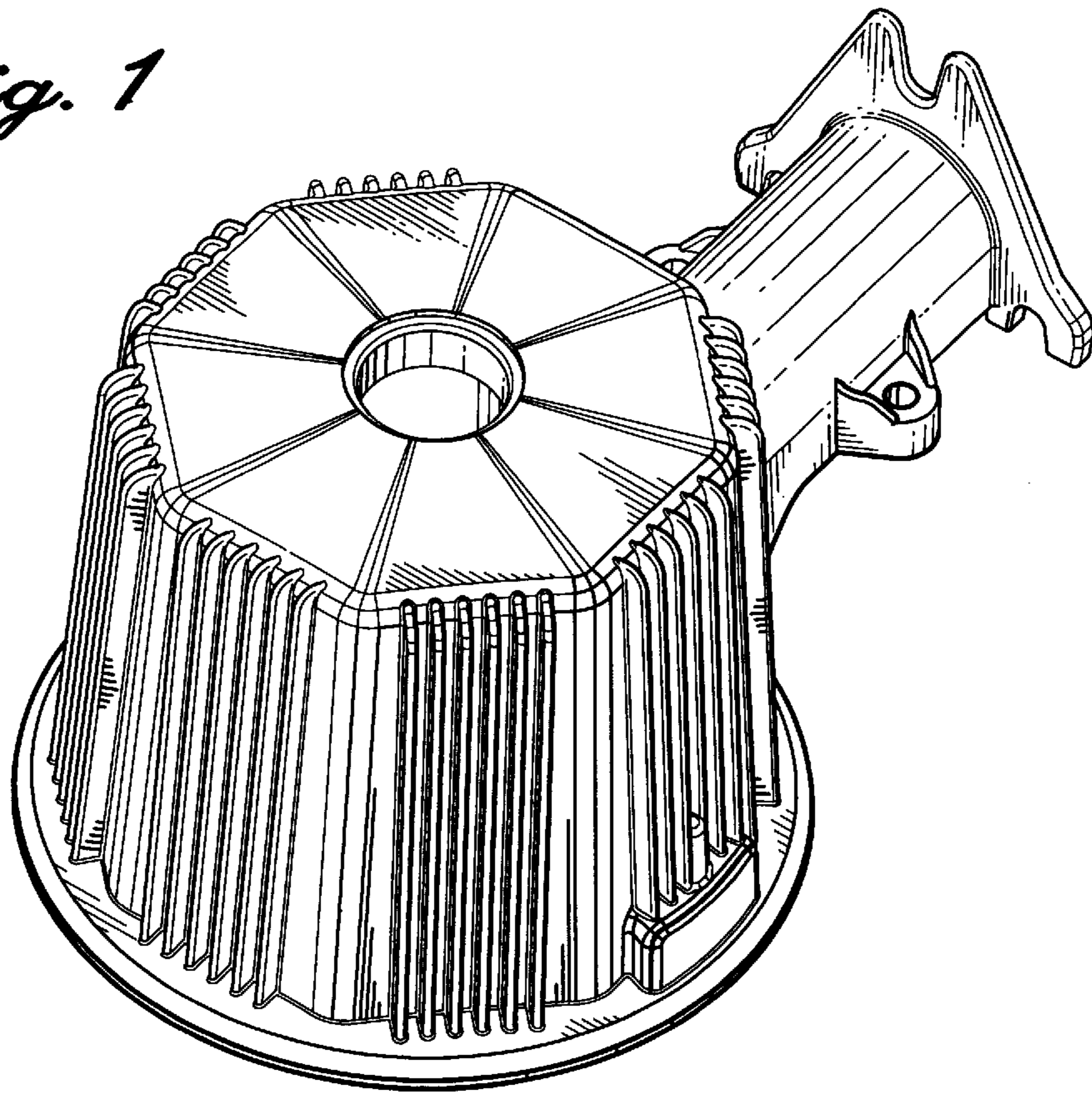
#### U.S. PATENT DOCUMENTS

D. 184,007	12/1958	Corwin	.....	D26/71
D. 313,483	1/1991	Blake	.....	D26/71
D. 329,714	9/1992	McIngvale, Jr.	.....	D26/71
D. 358,226	5/1995	Osteen et al.	.....	D26/71

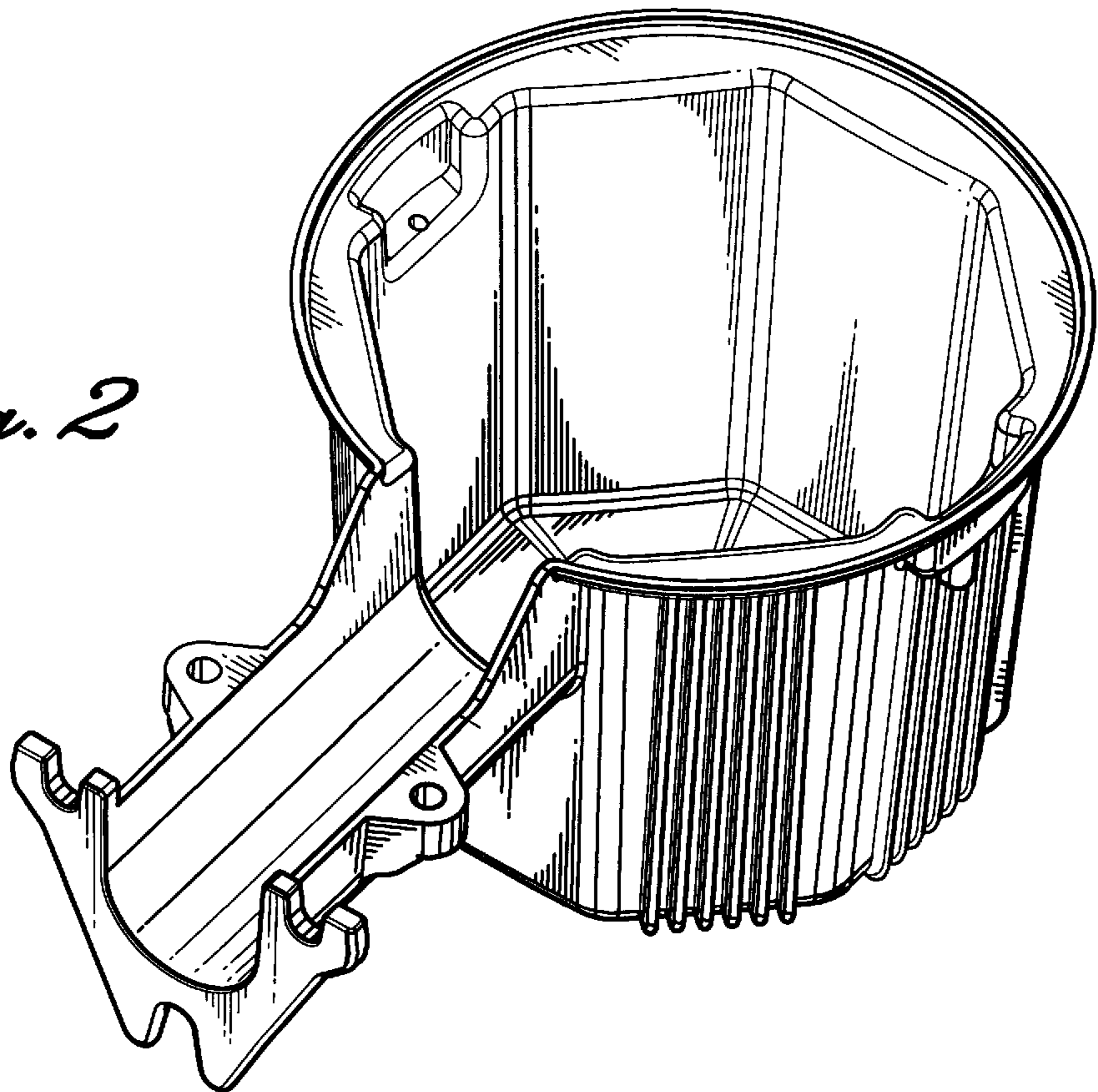
**1 Claim, 4 Drawing Sheets**

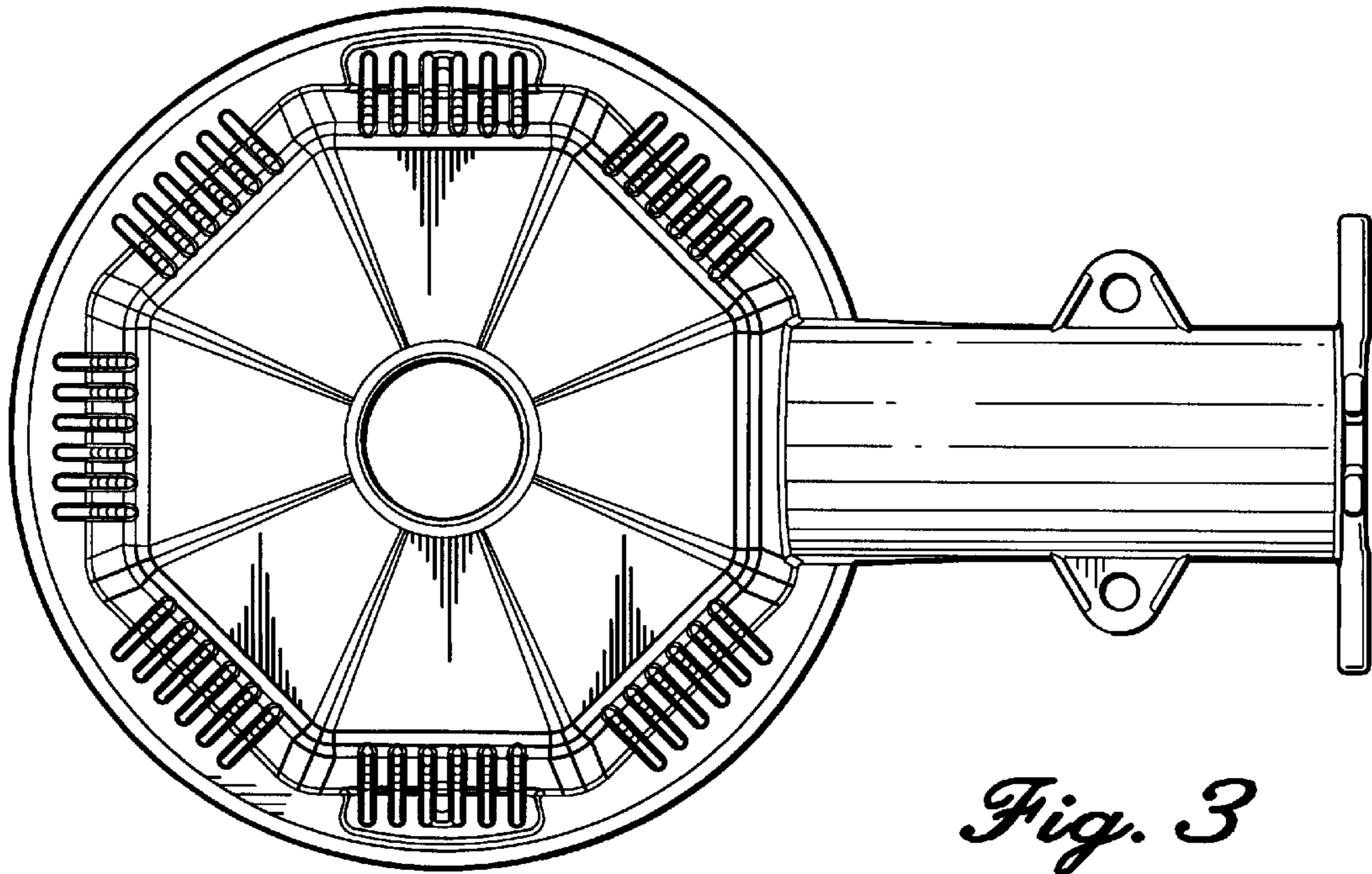


*Fig. 1*

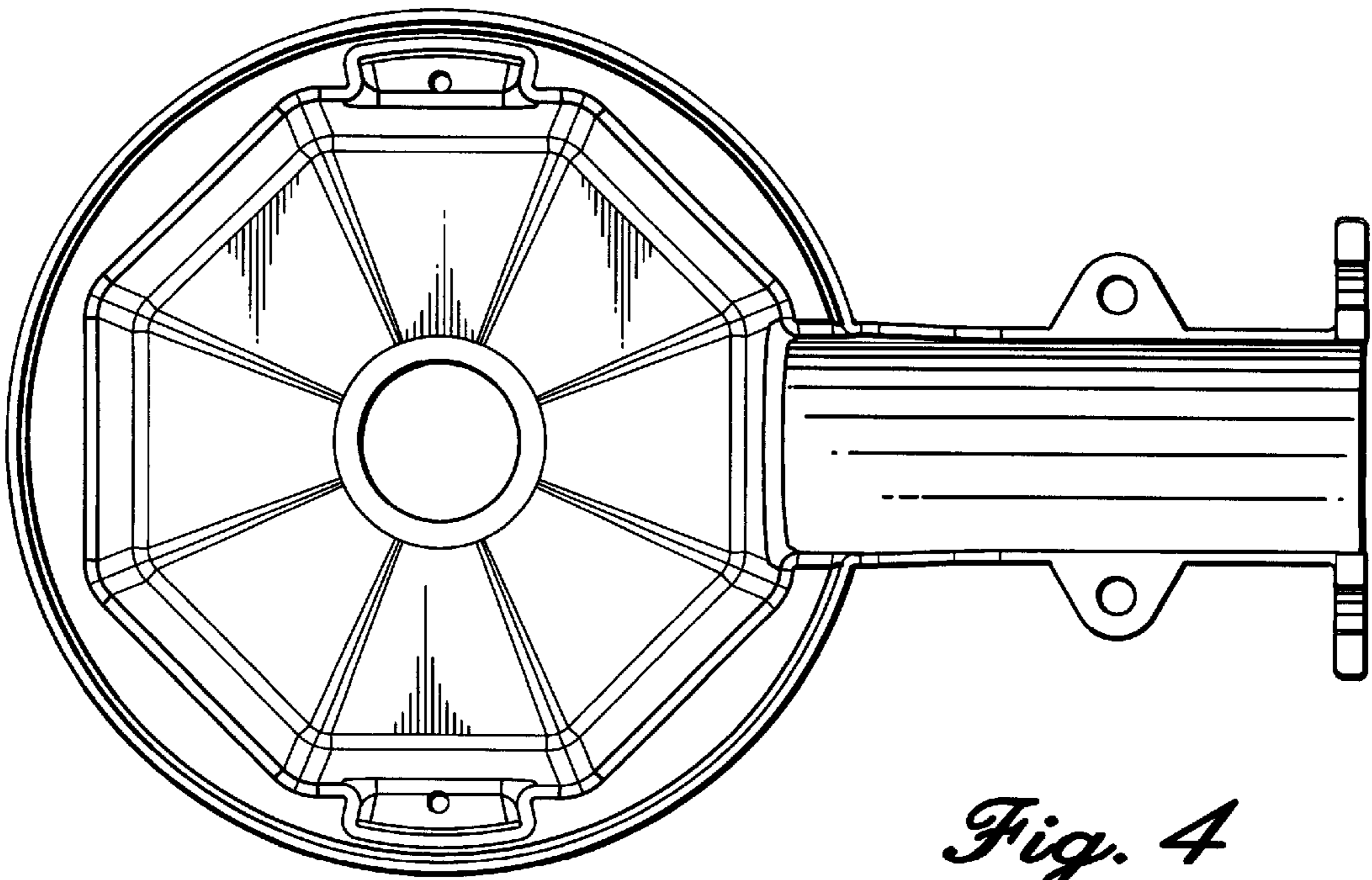


*Fig. 2*

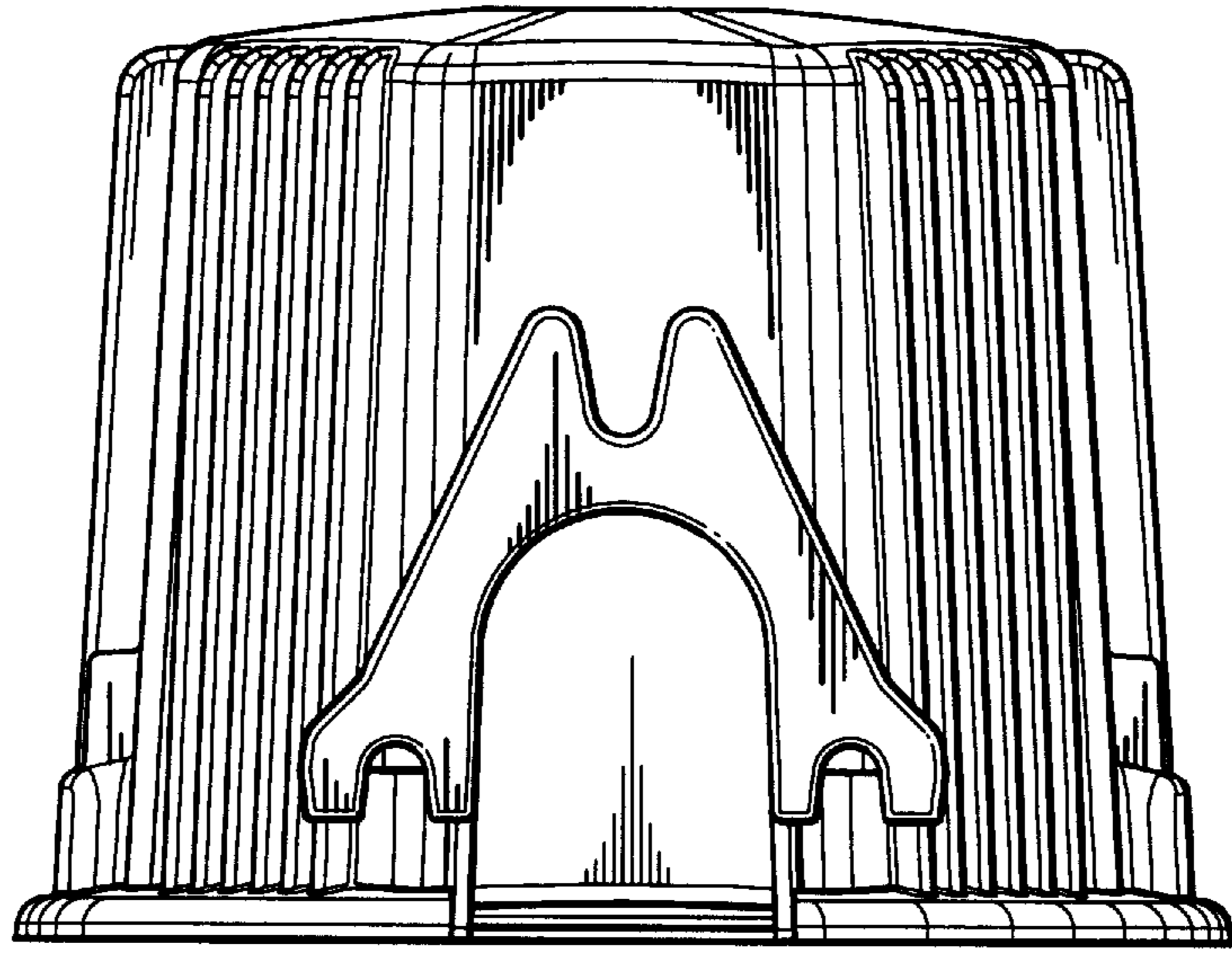




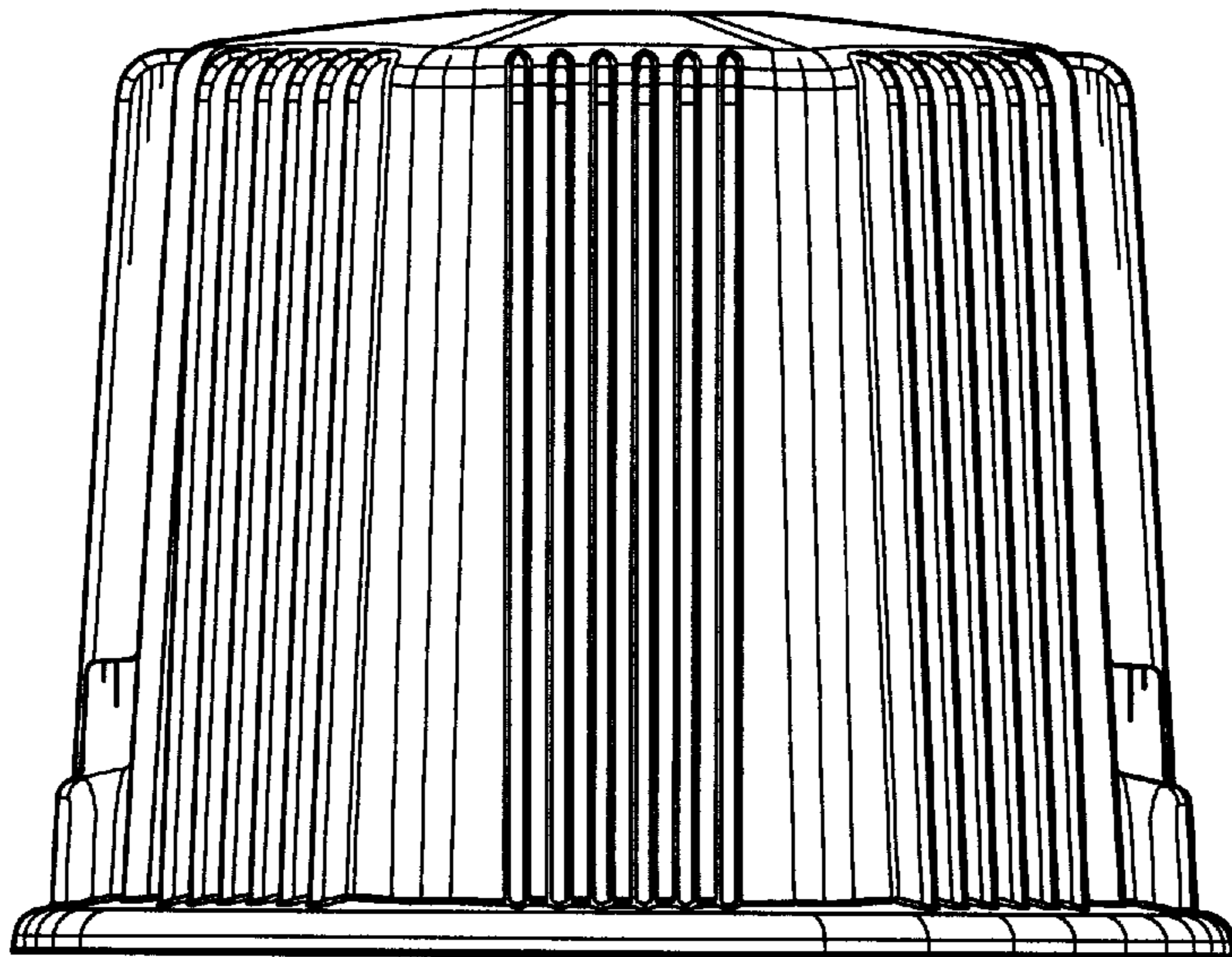
*Fig. 3*



*Fig. 4*



*Fig. 5*



*Fig. 6*

