



US00D400997S

United States Patent [19]

Cheun et al.

[11] **Patent Number: Des. 400,997**

[45] **Date of Patent: **Nov. 10, 1998**

[54] **LIGHT FIXTURE**

1,093,009 4/1914 Ramsay, Jr. 362/422
2,147,953 2/1939 Tornblom 362/422

[75] Inventors: **Tsang Hon Cheun**, Mississauga, Canada; **Wai-Shing Peter Ko**, St Joseph, Mich.

Primary Examiner—Susan J. Lucas
Attorney, Agent, or Firm—Paul W. O'Malley; Susan L. Firestone

[73] Assignee: **Heath Company**, Benton Harbor, Mich.

[57] **CLAIM**

[**] Term: **14 Years**

The ornamental design for a light fixture, as shown and described.

[21] Appl. No.: **74,860**

DESCRIPTION

[22] Filed: **Aug. 8, 1997**

FIG. 1 is a perspective view of a light fixture showing my new design;

[51] **LOC (6) Cl.** **26-05**

[52] **U.S. Cl.** **D26/63**

FIG. 2 is a front elevation view thereof;

[58] **Field of Search** D26/24, 61, 63,

FIG. 3 is a side elevation view thereof;

D26/65; 362/269, 275, 285, 287, 418, 419,

FIG. 4 is a rear elevation view thereof;

430, 427, 428

FIG. 5 is an opposite side elevation view thereof;

[56] **References Cited**

FIG. 6 is a top plan view thereof; and,

U.S. PATENT DOCUMENTS

FIG. 7 is a bottom plan view thereof.

D. 374,496 10/1996 Small et al. D26/63

1 Claim, 2 Drawing Sheets

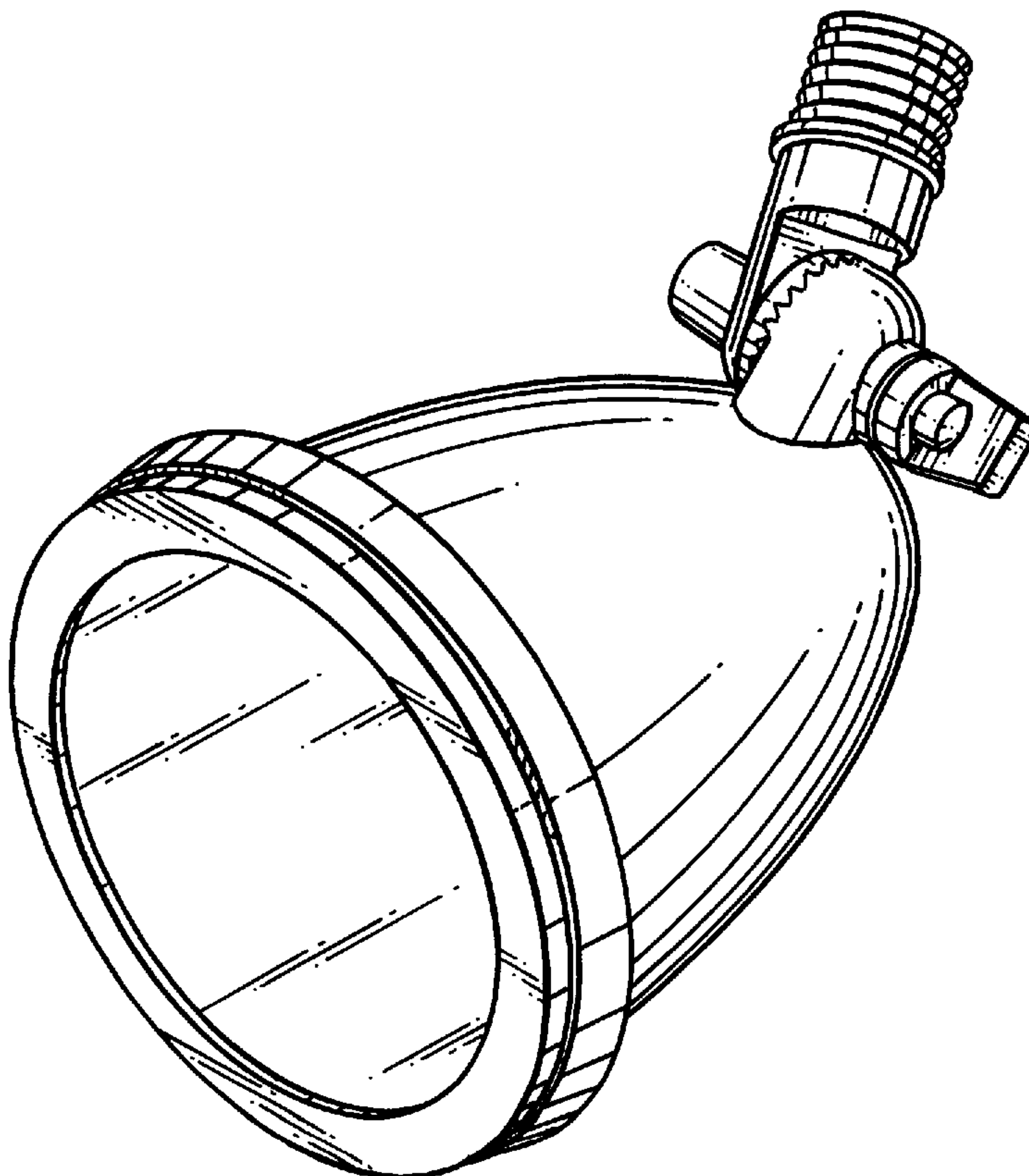


FIG. 1

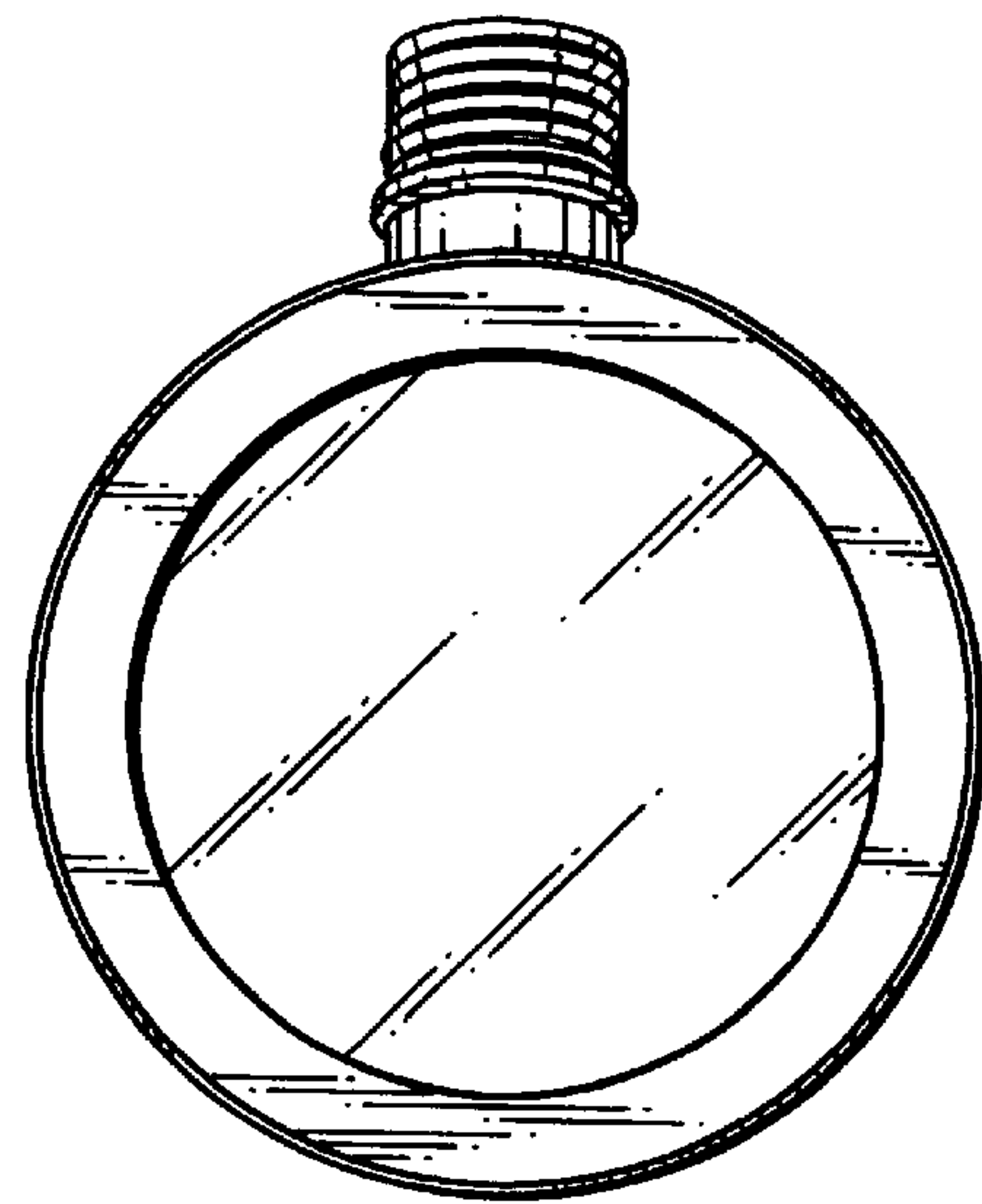
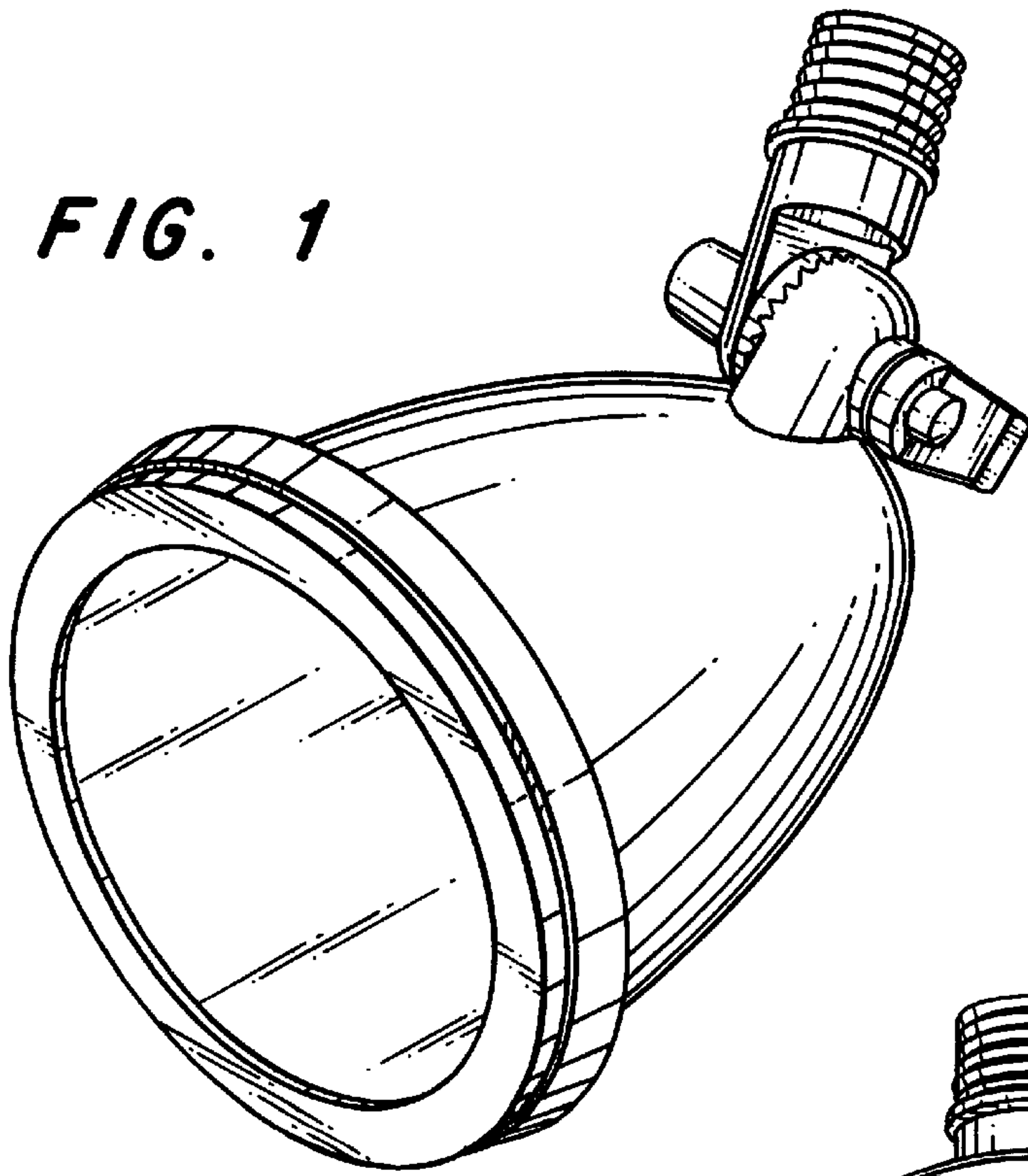


FIG. 2

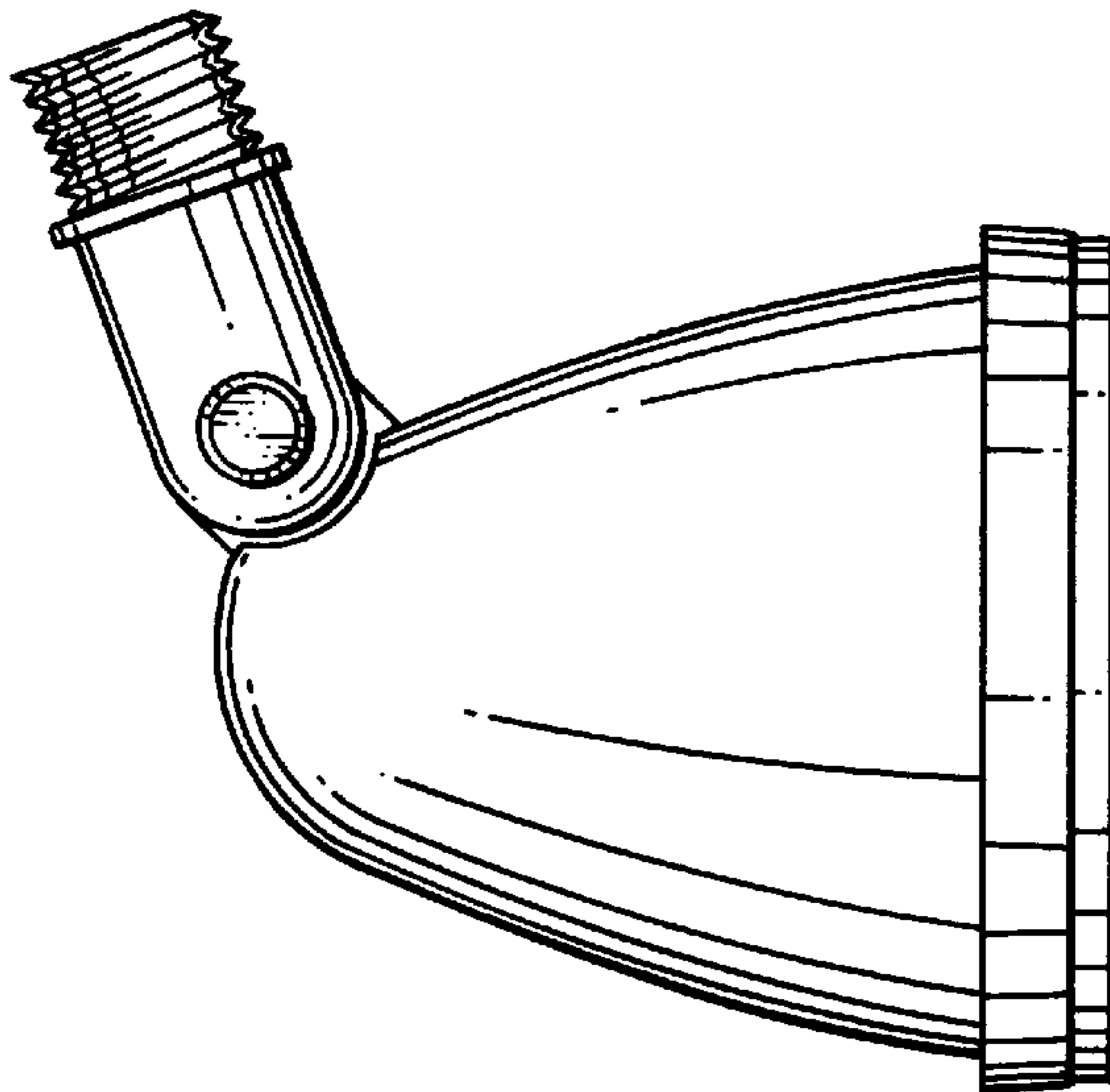


FIG. 3

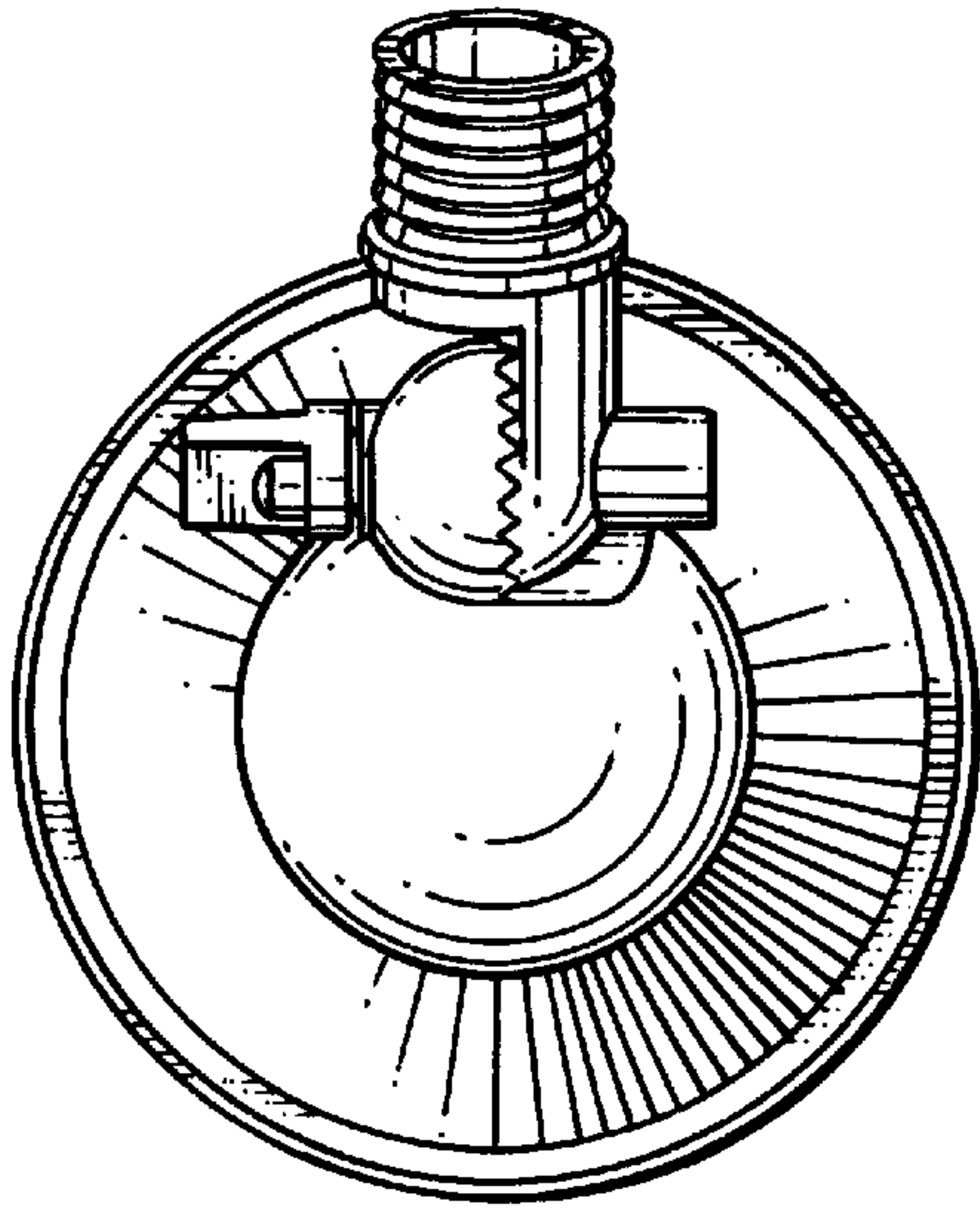


FIG. 4

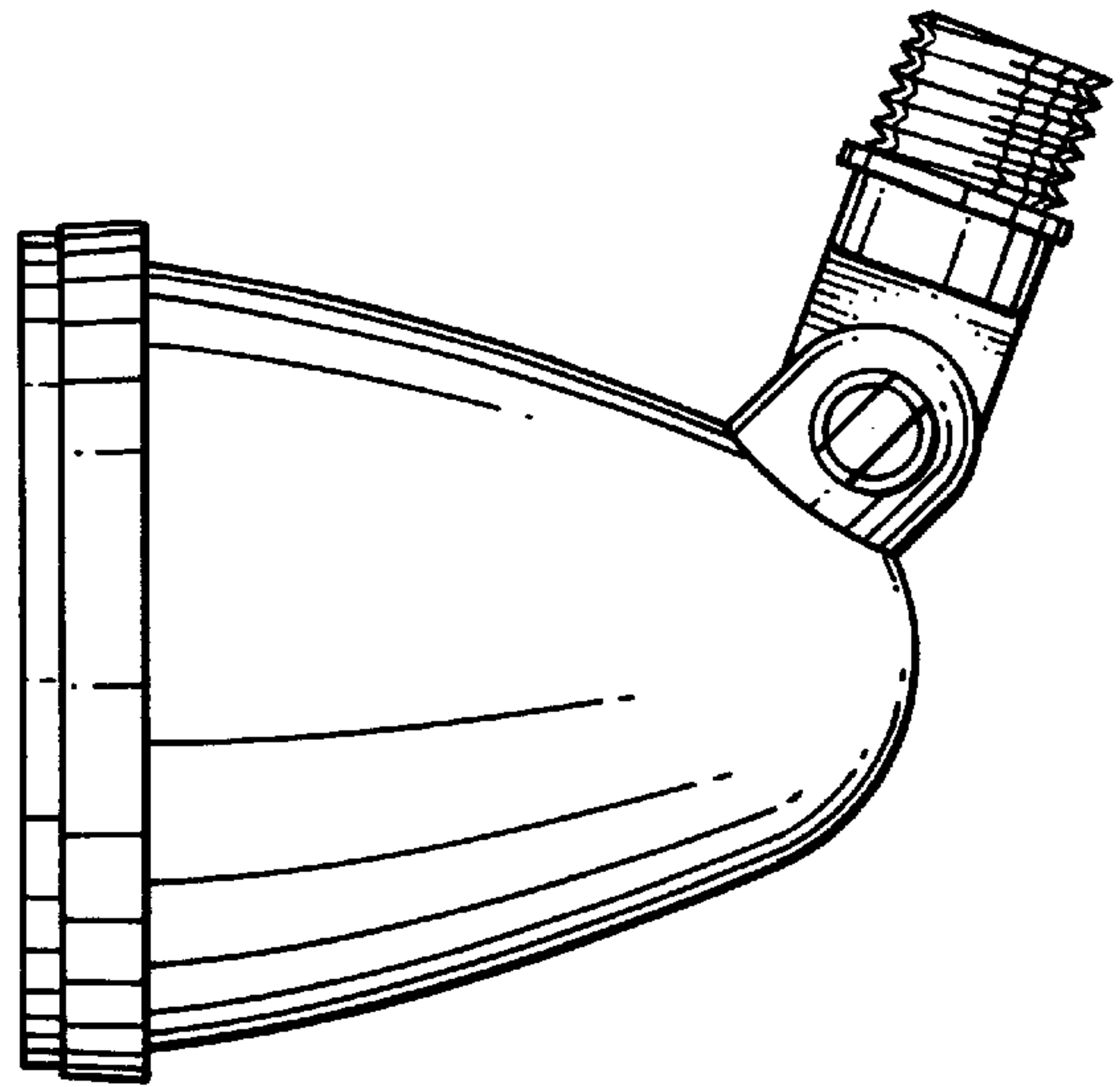


FIG. 5

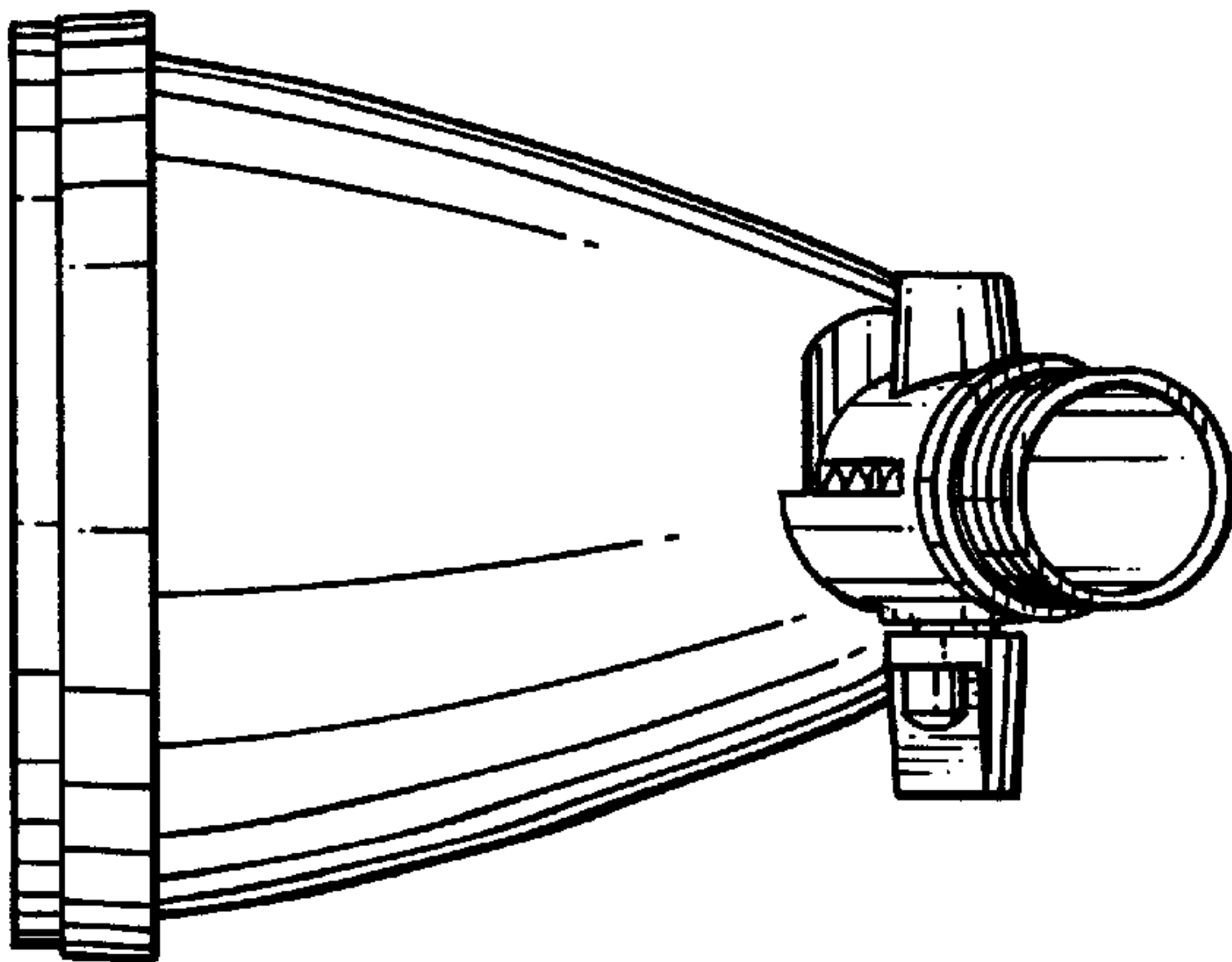


FIG. 6

FIG. 7

