



US00D400996S

# United States Patent [19] Tang

[11] **Patent Number: Des. 400,996**

[45] **Date of Patent: \*\*Nov. 10, 1998**

[54] **PROJECTION LAMP**

*Primary Examiner*—Susan J. Lucas

[76] Inventor: **Shih-Chuan Tang**, 58, Ma Yuan West St., Taichung, Taiwan

[57] **CLAIM**

[\*\*] Term: **14 Years**

The ornamental design for a projection lamp, as shown and described.

[21] Appl. No.: **73,256**

### DESCRIPTION

[22] Filed: **Jul. 10, 1997**

FIG. 1 is a perspective view of projection lamp showing my new design;

[51] **LOC (6) Cl.** ..... **26-05**

[52] **U.S. Cl.** ..... **D26/63**

FIG. 2 is a front elevational view thereof;

[58] **Field of Search** ..... D26/60, 61, 63, D26/65; 362/147, 269, 275, 285, 418, 419, 427

FIG. 3 is a rear elevational view thereof;

FIG. 4 is a left side elevational view thereof;

FIG. 5 is a right side elevational view thereof;

[56] **References Cited**

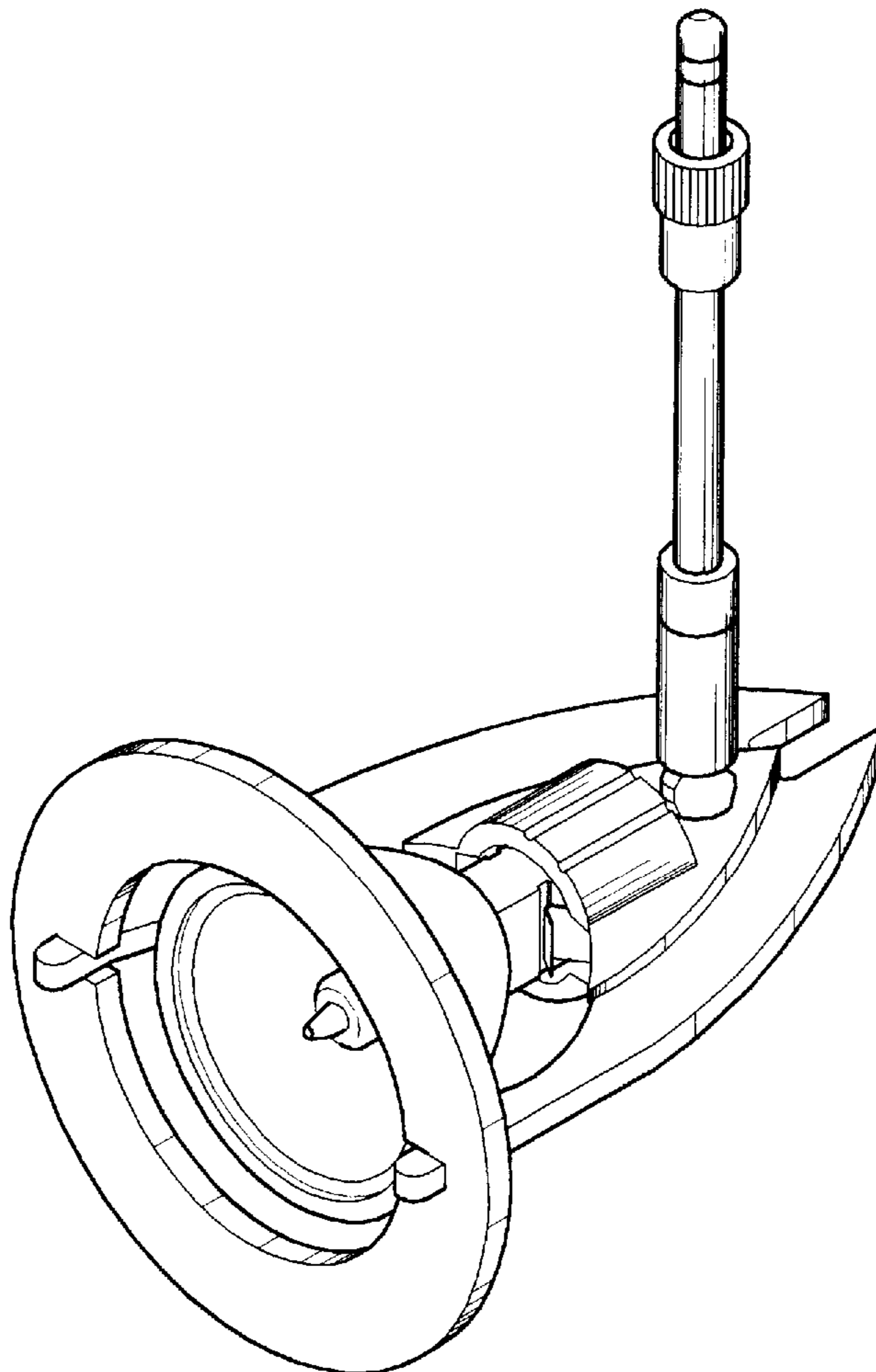
### PUBLICATIONS

FIG. 6 is a top plan view thereof; and,

FIG. 7 is a bottom plan view thereof.

Lighting Technical Inovations, p. 3, track lights. 1996/1997.  
Taiwan Lighting, p. 275, track light #ES-A462W, May 1996.

**1 Claim, 4 Drawing Sheets**



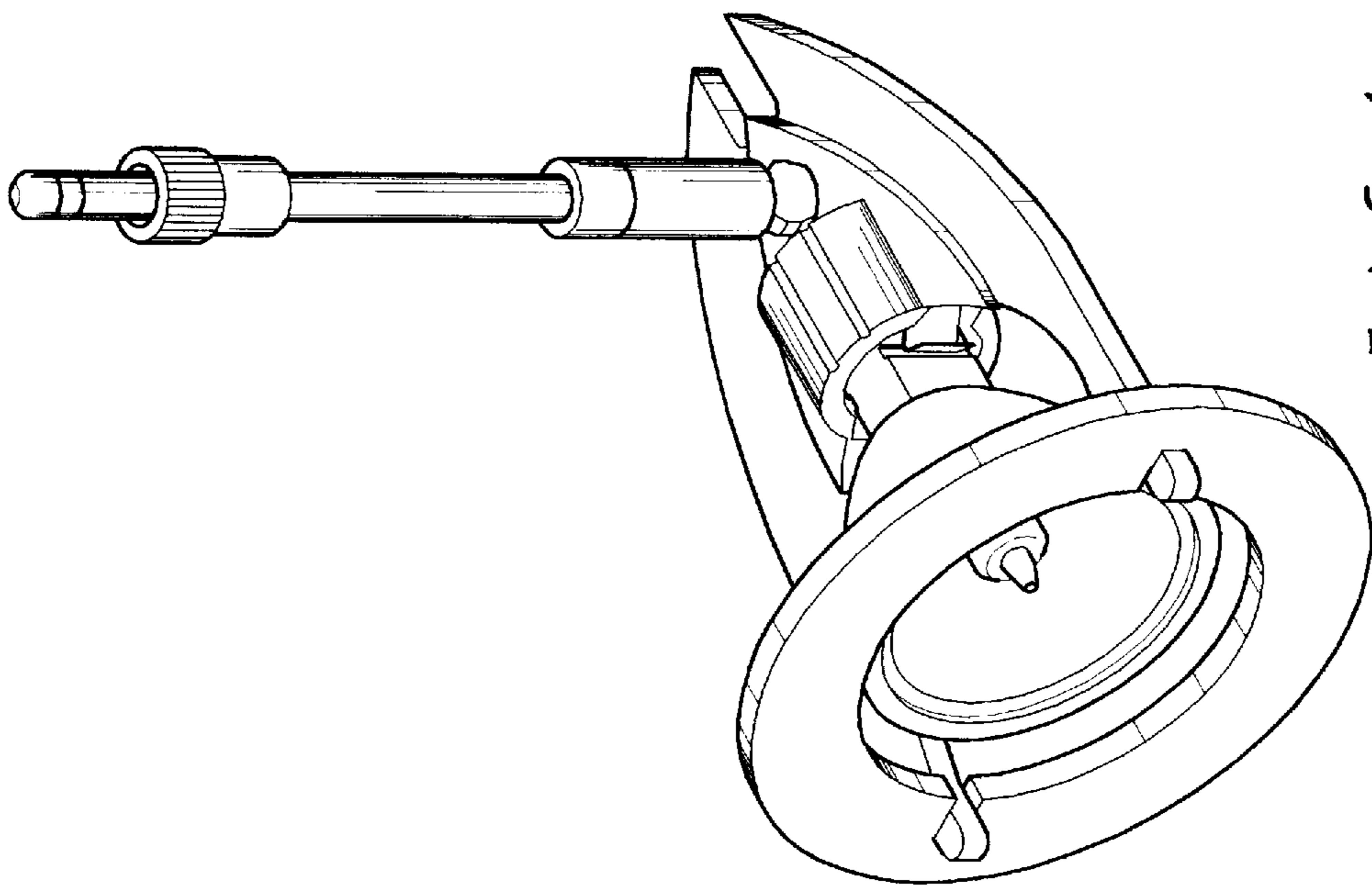


FIG. 1

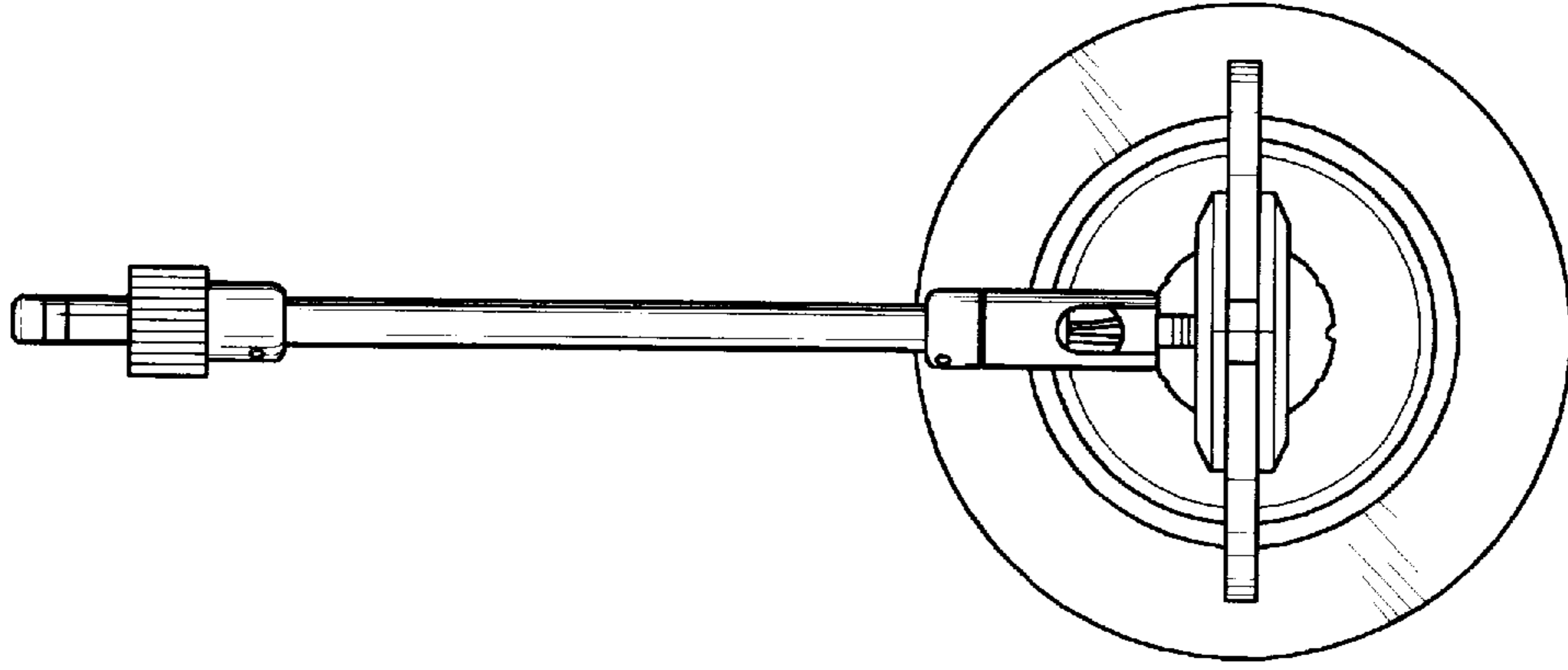


FIG. 3

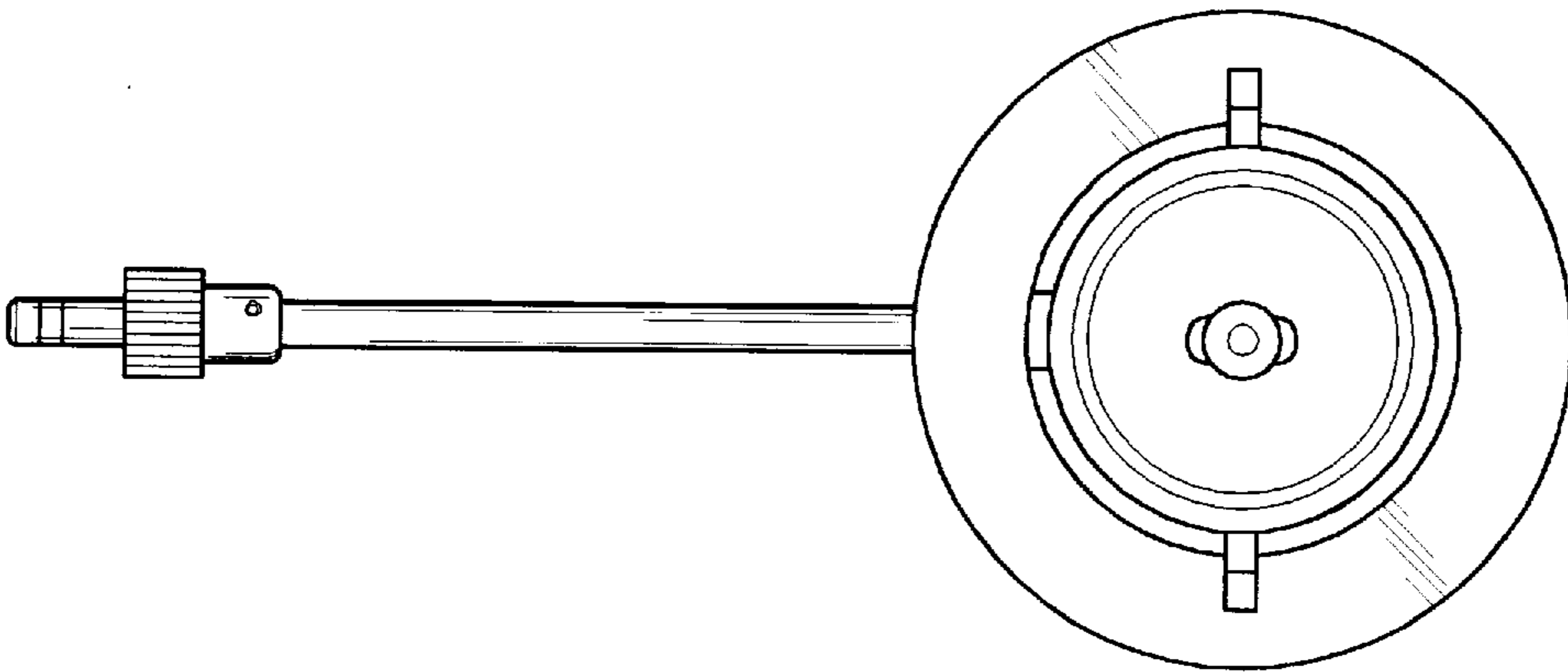


FIG. 2

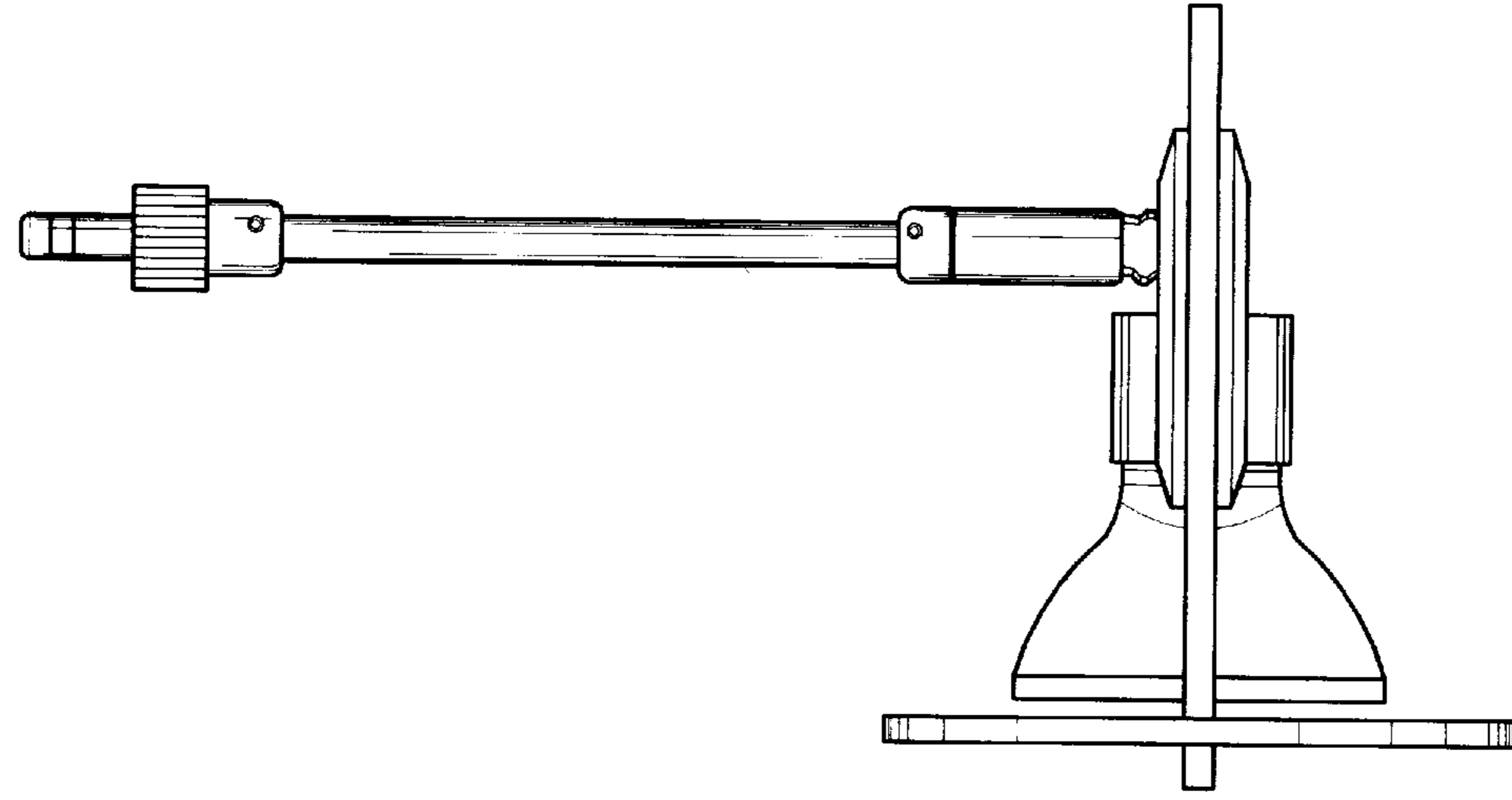


FIG. 5

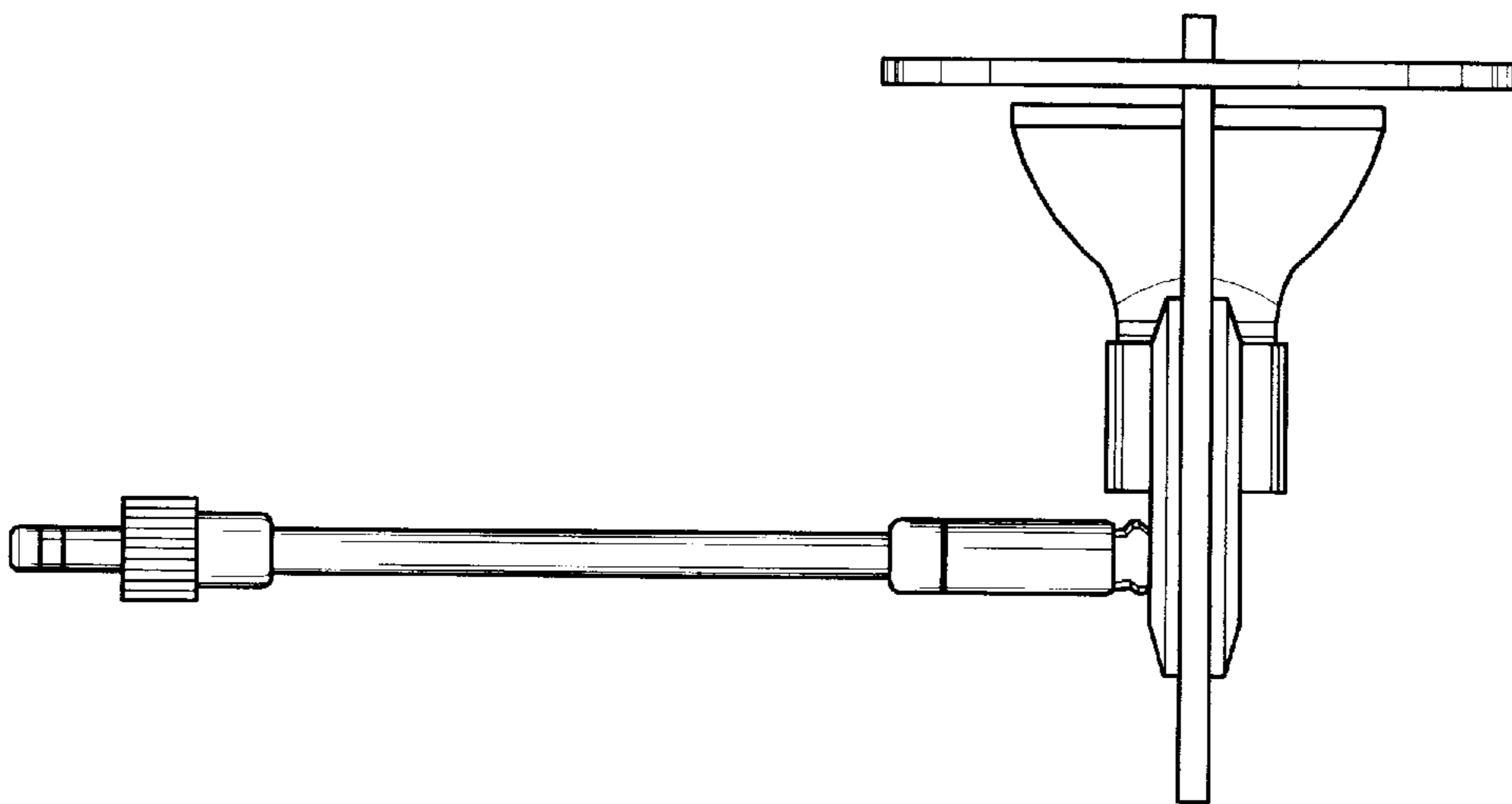
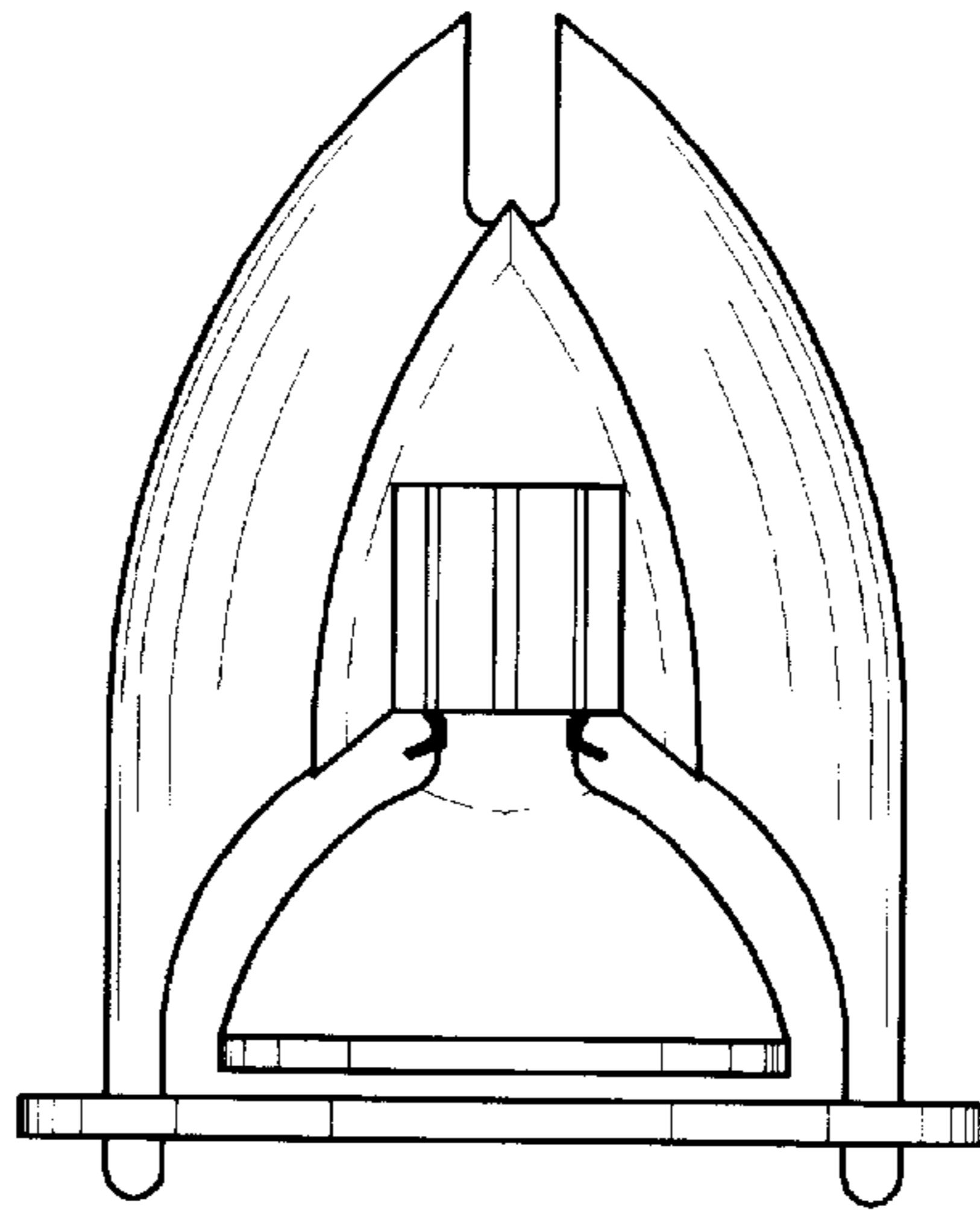
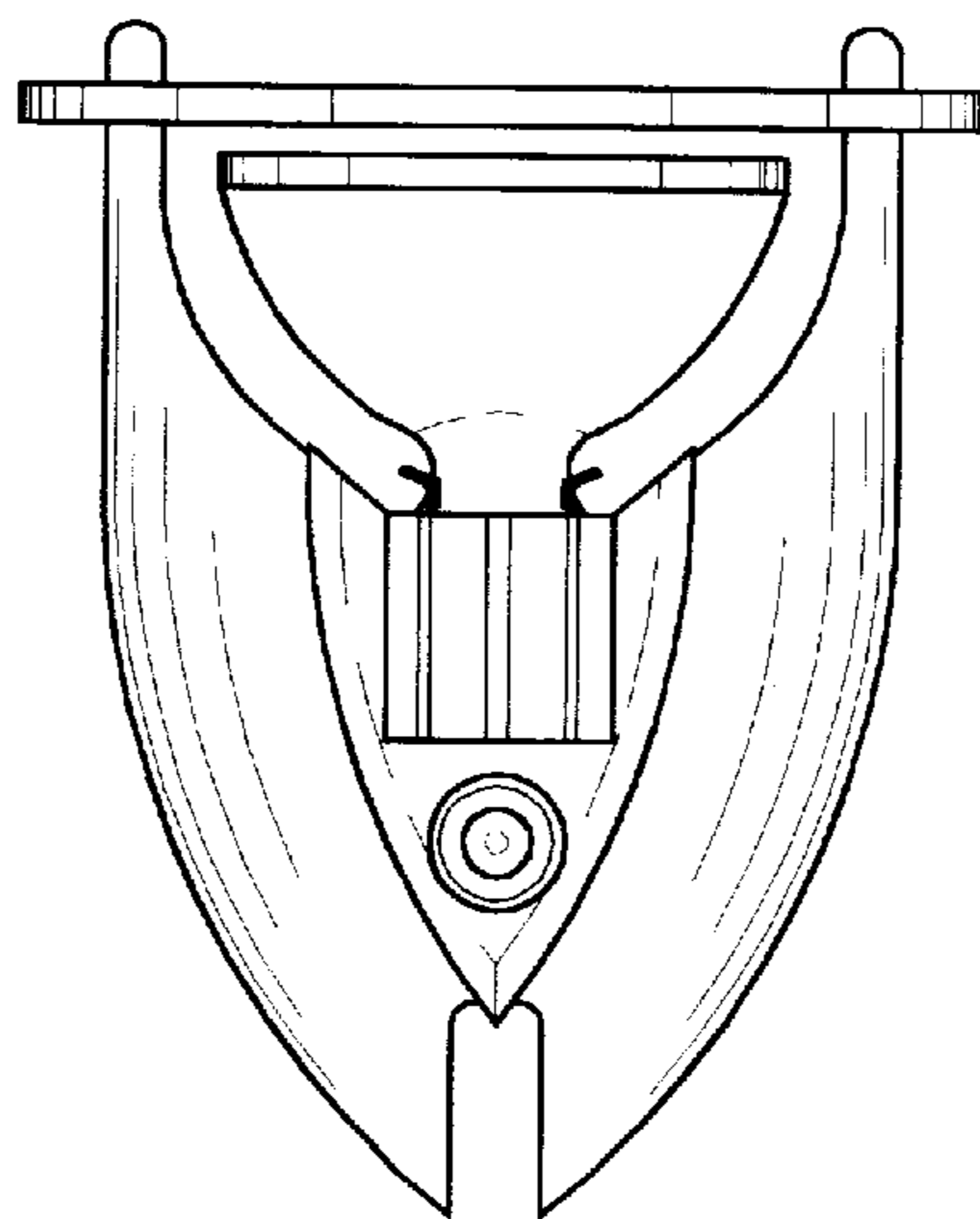


FIG. 4



F I G. 7



F I G. 6