



US00D400995S

# United States Patent [19]

LaRosa et al.

[11] Patent Number: Des. 400,995

[45] Date of Patent: \*\*Nov. 10, 1998

[54] EMERGENCY LIGHTING FIXTURE

[75] Inventors: Joseph M. LaRosa, Portland; Richard Diachenko, Avon, both of Conn.; John E. Studer, Jr., Gladstone, N.J.

[73] Assignee: GSEG LLC, Farmington, Conn.

[\*\*] Term: 14 Years

[21] Appl. No.: 73,214

[22] Filed: Jul. 3, 1997

[51] LOC (6) Cl. .... 26-05

[52] U.S. Cl. .... D26/63

[58] Field of Search ..... D26/61, 63, 65, D26/24, 74, 28; 362/269, 275, 285, 287, 418, 419, 427, 430, 428, 74, 367

[56] References Cited

U.S. PATENT DOCUMENTS

D. 264,253	5/1982	Goldschmidt et al. .	
D. 264,254	5/1982	Heritage .....	D26/63 X
D. 320,863	10/1991	Macaluso .....	D26/74
D. 354,147	1/1995	Ueda .....	D26/28
D. 390,981	2/1998	Kaczorowski et al. ....	D26/28
3,772,527	11/1973	Darling et al. .	
4,499,528	2/1985	Hawlitzki .....	362/275

OTHER PUBLICATIONS

Quantum Combo And Quick-Mount—Lithonia Lighting Jan. 1995.  
 Quantum—Lithonia Lighting pp. 194–195, 200–201.  
 Atlite Contours (PC 1–10)—Atlite Lighting pp. 2–7.  
 Cavalier—Lightalarms Elec. pp. D1A–D1B Jan. 1990.  
 Celebrity—Chloride Systems Spec. Sheet #C1000 Prior to filing date.  
 Gem Light—Chloride Systems Spec. Sheet #C1003 Prior to filing date.  
 6MF/6NMF Series—Chloride Systems Spec. Sheet #C1043 Prior to filing date.  
 Infinity Series II—Chloride Systems Spec. Sheet #C1064 Prior to filing date.

Escort Series, Provider Series, ME Series, JS Series and LP, LS and LC Series—Emergi-Lite pp. 9–16 Prior to filing date.  
 EMAX—p. 8; ELB Series—p. 10; Designer Series—p. 5; Emergency Light/Exit Combination—p. 30; Eds—P. EL1—Prescolite Emergency Sys. Oct. 1989.  
 CCX Contractor’s Choice Exits and Emergency Lighting—Sure-Lites Prior to filing date.  
 Pathfinder Series Exit Sign—Hubbell Lighting Nov. 1992.  
 PE Series Emergency Lighting—Hubbell Lighting Sep. 1991.  
 Series DM,DS—Lightalarms—pp. D3–D4 Jul. 1988.  
 KB-1—Lightalarms—Nov. 1990.  
 Watchguard EMS—Sure-Lites Prior to filing date.  
 Windsor—Big Beam Emergency System, Inc. Prior to filing date.  
 Emergency Lighting Products—Dual-Lite Nov. 1996.  
 Two (2) photographs of Prescolite Designer Series Emergency Light Prior to filing date.

(List continued on next page.)

Primary Examiner—Susan J. Lucas  
 Attorney, Agent, or Firm—Ware, Fressola, Van der Sluys & Adolphson LLP

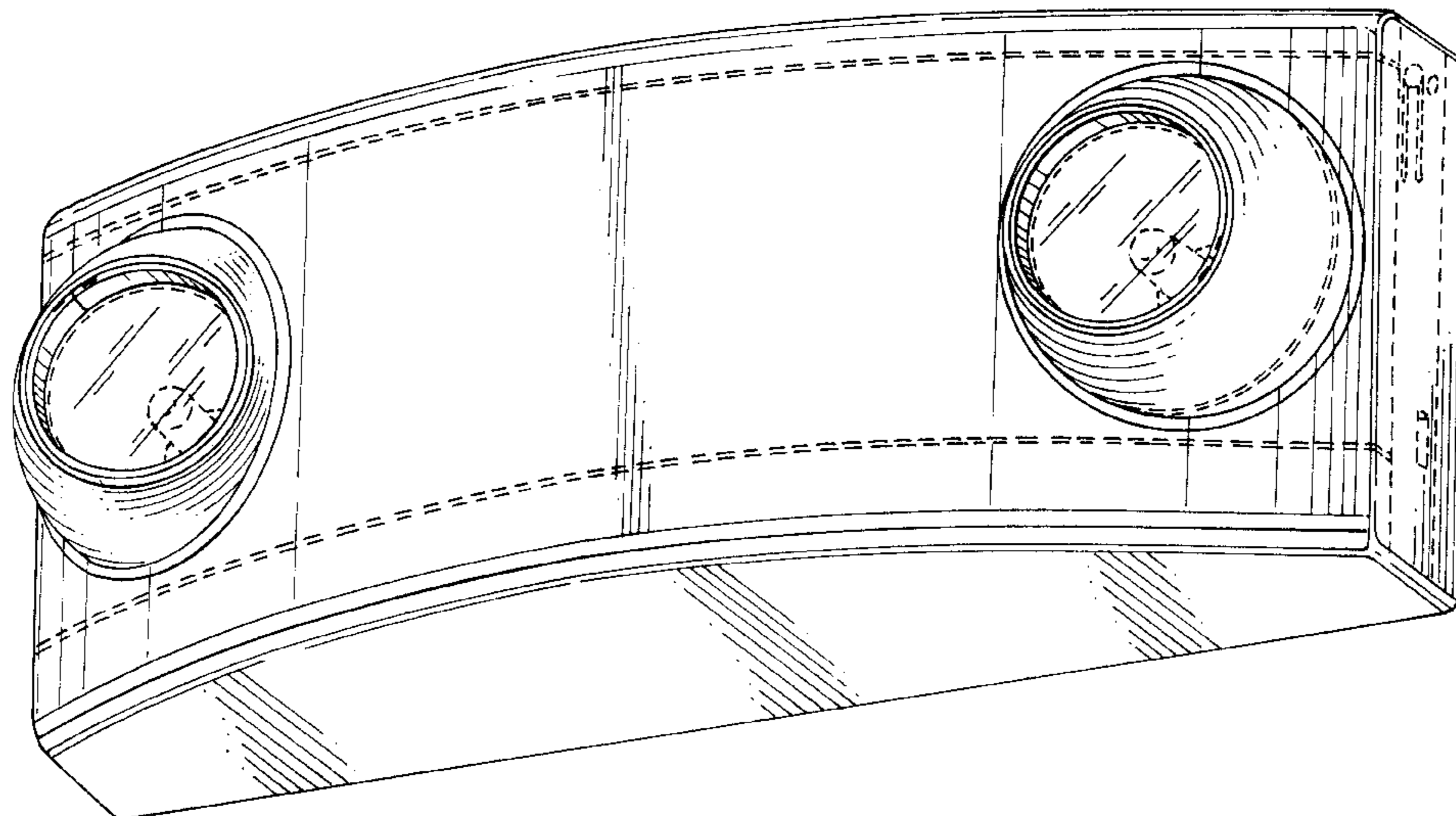
[57] CLAIM

We claim the ornamental design for an emergency lighting device fixture, as shown and described.

DESCRIPTION

FIG. 1 is a perspective view of the invention;  
 FIG. 2 is a top view of the invention;  
 FIG. 3 is a front view of the invention;  
 FIG. 4 is a left side view of the invention;  
 FIG. 5 is a right side view of the invention; and,  
 FIG. 6 is a bottom view of the invention.  
 The broken lines shown in the figures are for illustrative purposes only and form no part of the claimed design. The rear portion of the emergency lighting fixture is plain and forms no part of the claimed design.

1 Claim, 3 Drawing Sheets



OTHER PUBLICATIONS

Two (2) photographs of Lithonia Lighting LH QM Series Emergency Light Prior to filing date.

Two (2) photographs of Chloride Systems Infinity Series Emergency Light Prior to filing date.

Two (2) photographs of Chloride Systems Celebrity Series Emergency Light Prior to filing date.

Two (2) photographs of Atlite Lighting Equipment, Inc. PC Series Emergency Light Prior to filing date.

Two (2) photographs of Emergi-Lite Escort Series Emergency Light Prior to filing date.

Two (2) photographs of Emergi-Lite PRO Series Emergency Light Prior to filing date.

Three (3) photographs of Chloride Systems GM Series Emergency Light Prior to filing date.

Two (2) photographs of Hubbell Lighting Inc. PE Series Emergency Light Prior to filing date.

Two (2) photographs of Lightalarms Electronic Corp. Cavalier II Emergency Light Prior to filing date.

Two (2) photographs of JUNO Lighting, Inc. ECR Series Emergency Light Prior to filing date.

Six (6) photographs of Lithonia Lighting ELM Series Emergency Light Prior to filing date.

Two (2) photographs of Sure-Lites/Cooper Lighting CCX Series Emergency Light Prior to filing date.

FIG. 1

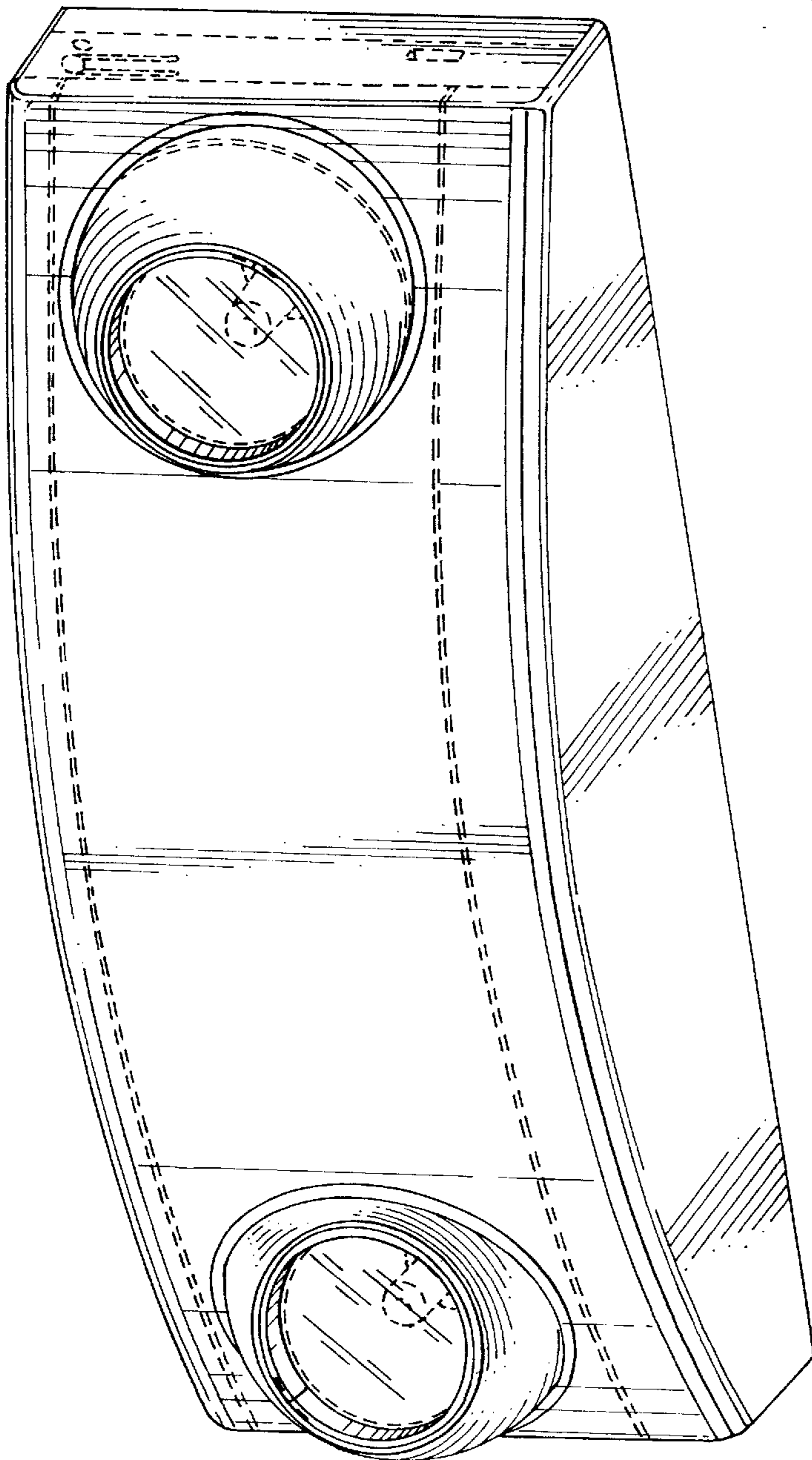
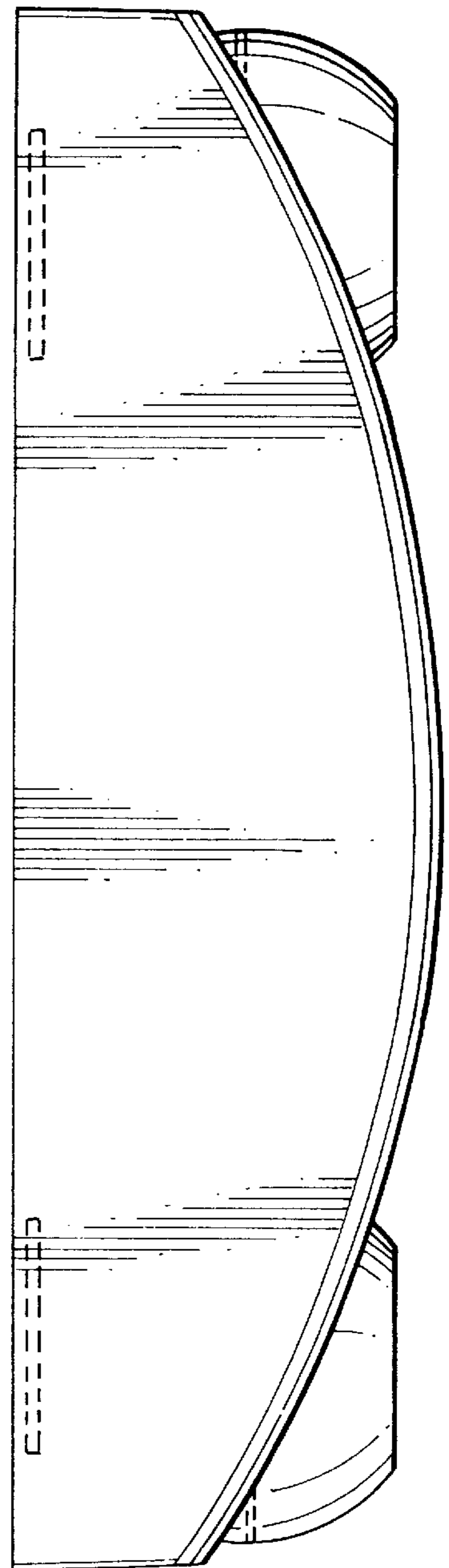


FIG. 2



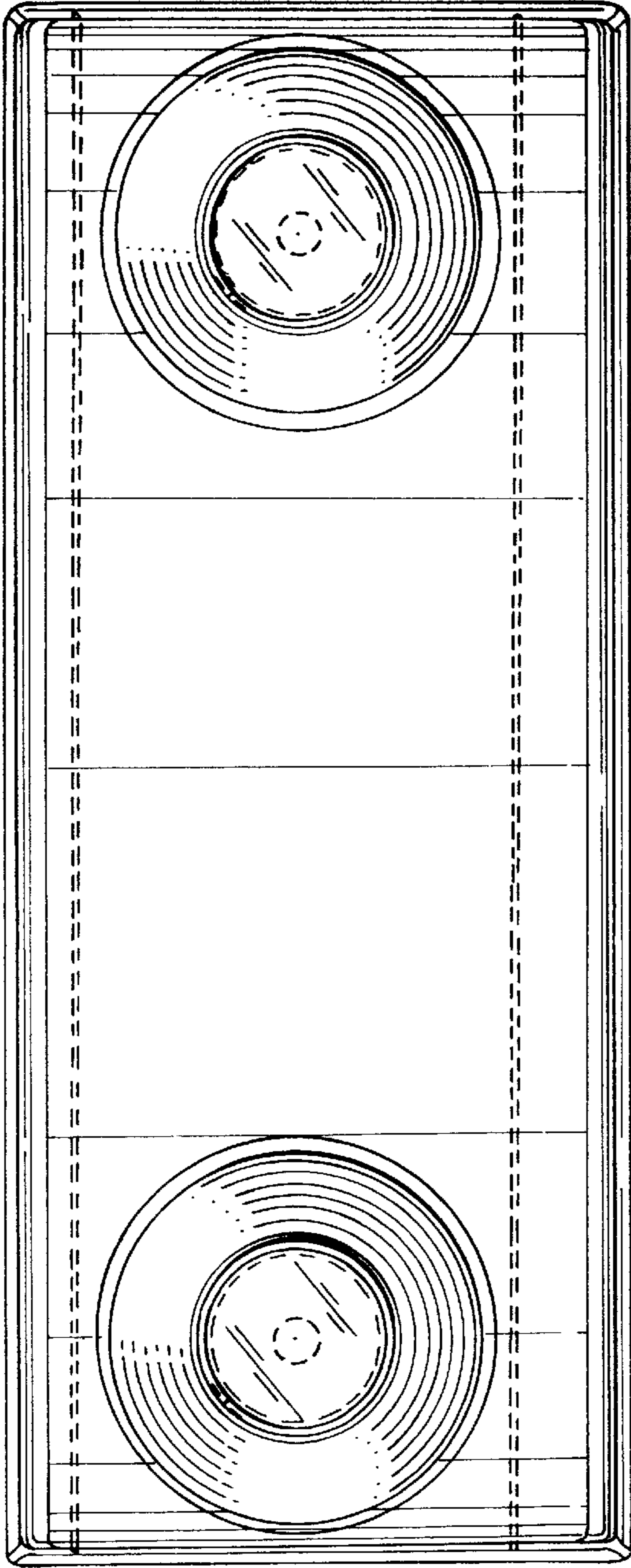


FIG. 3

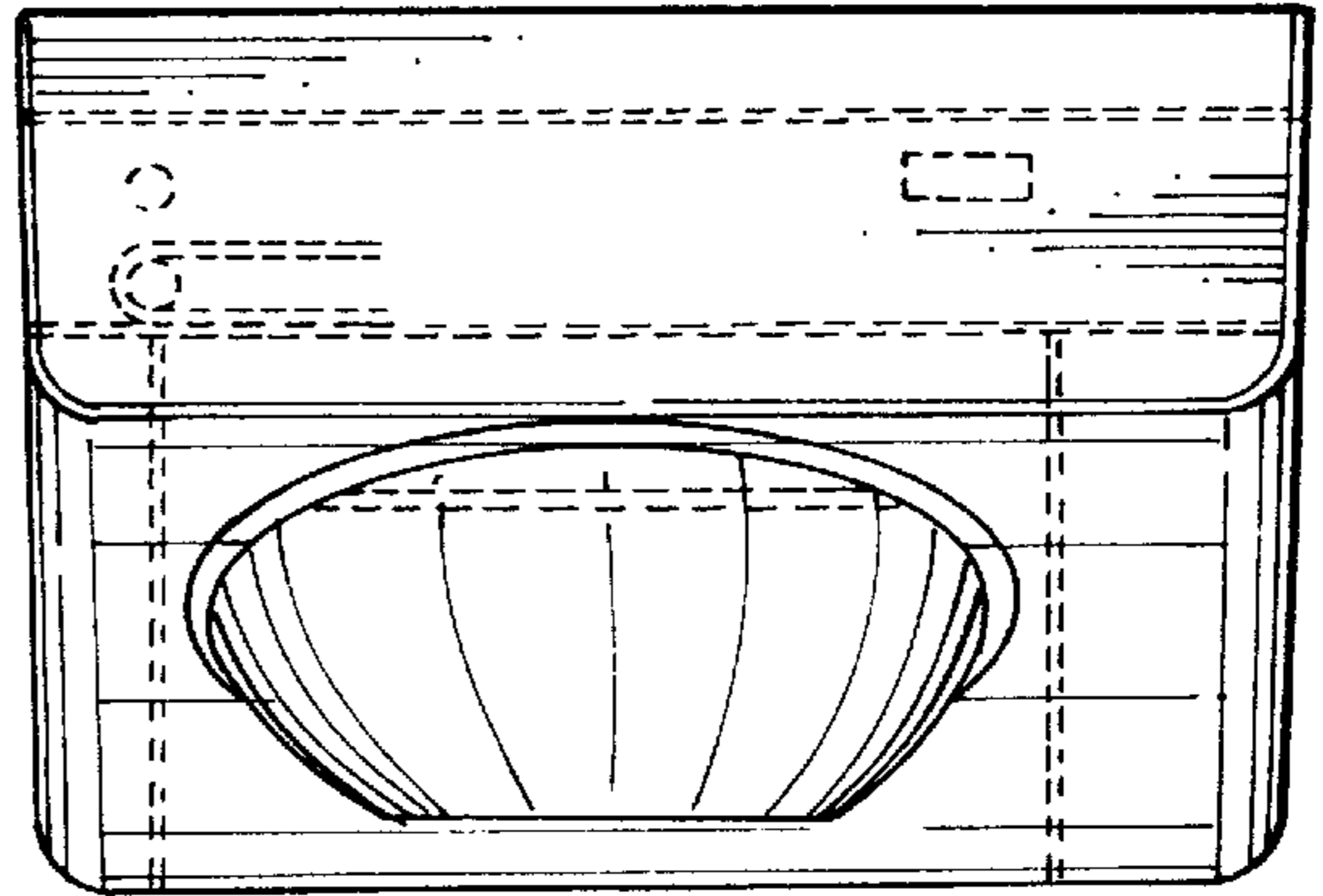


FIG. 5

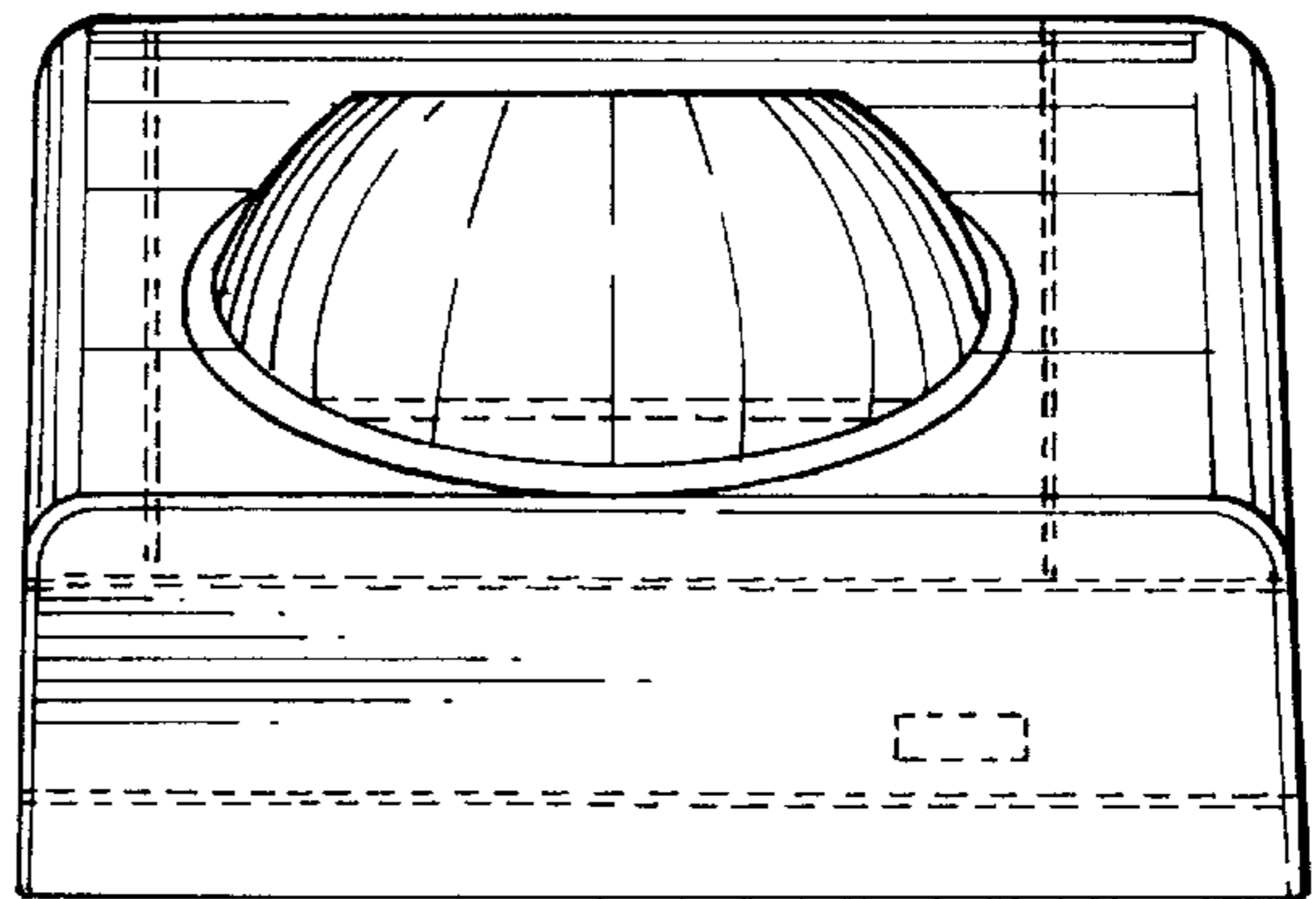


FIG. 4

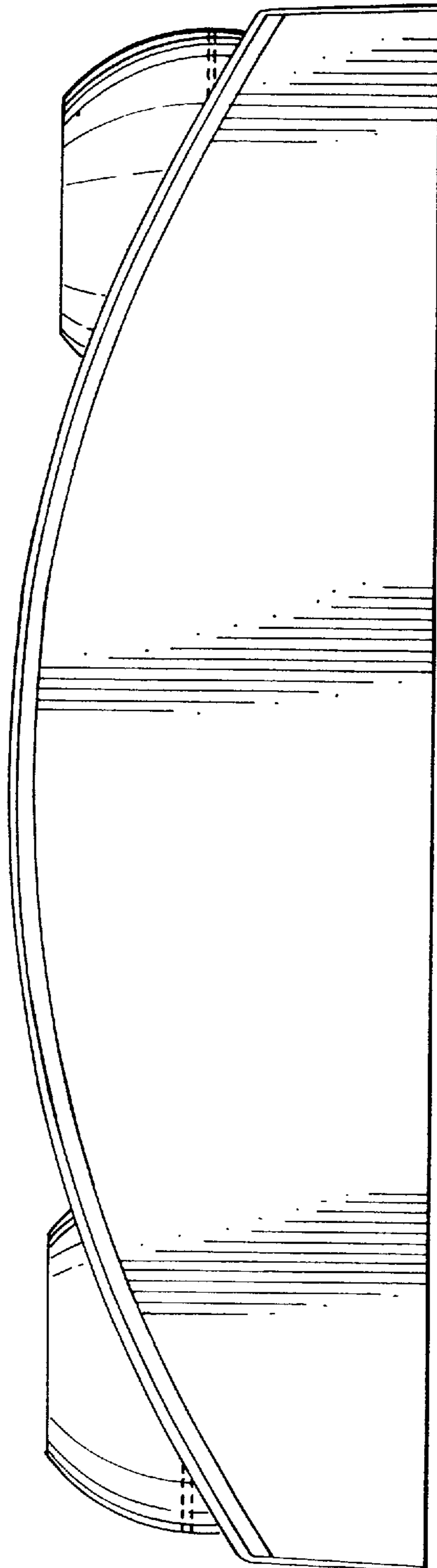


FIG. 6