



US00D400994S

# United States Patent [19]

Dalton et al.

[11] Patent Number: **Des. 400,994**

[45] Date of Patent: **\*\*Nov. 10, 1998**

[54] **LIGHT**

[75] Inventors: **David R. Dalton**, Westlake, Ohio;  
**Peter F. Lynch**, Skaneateles, N.Y.;  
**Mark A. Ferguson**, Jamesville, N.Y.;  
**Robert L. Naas**, Skaneateles, N.Y.

[73] Assignee: **Eveready Battery Company, Inc.**, St. Louis, Mich.

[\*\*] Term: **14 Years**

[21] Appl. No.: **66,243**

[22] Filed: **Feb. 4, 1997**

[51] **LOC (6) Cl.** ..... **26-02**

[52] **U.S. Cl.** ..... **D26/43**

[58] **Field of Search** ..... D26/37-50; 362/157,  
362/158, 183-208, 413, 427

[56] **References Cited**

**U.S. PATENT DOCUMENTS**

D. 346,457 4/1994 Friedman ..... D26/43

D. 360,480 7/1995 Hon ..... D26/43  
D. 366,708 1/1996 Santarsiero ..... D26/43  
D. 373,646 9/1996 Szymanski et al. .... D26/43  
D. 377,840 2/1997 Chang ..... D26/43

*Primary Examiner*—Marcus A. Jackson  
*Attorney, Agent, or Firm*—Robert W. Welsh; S. Allan Fraser

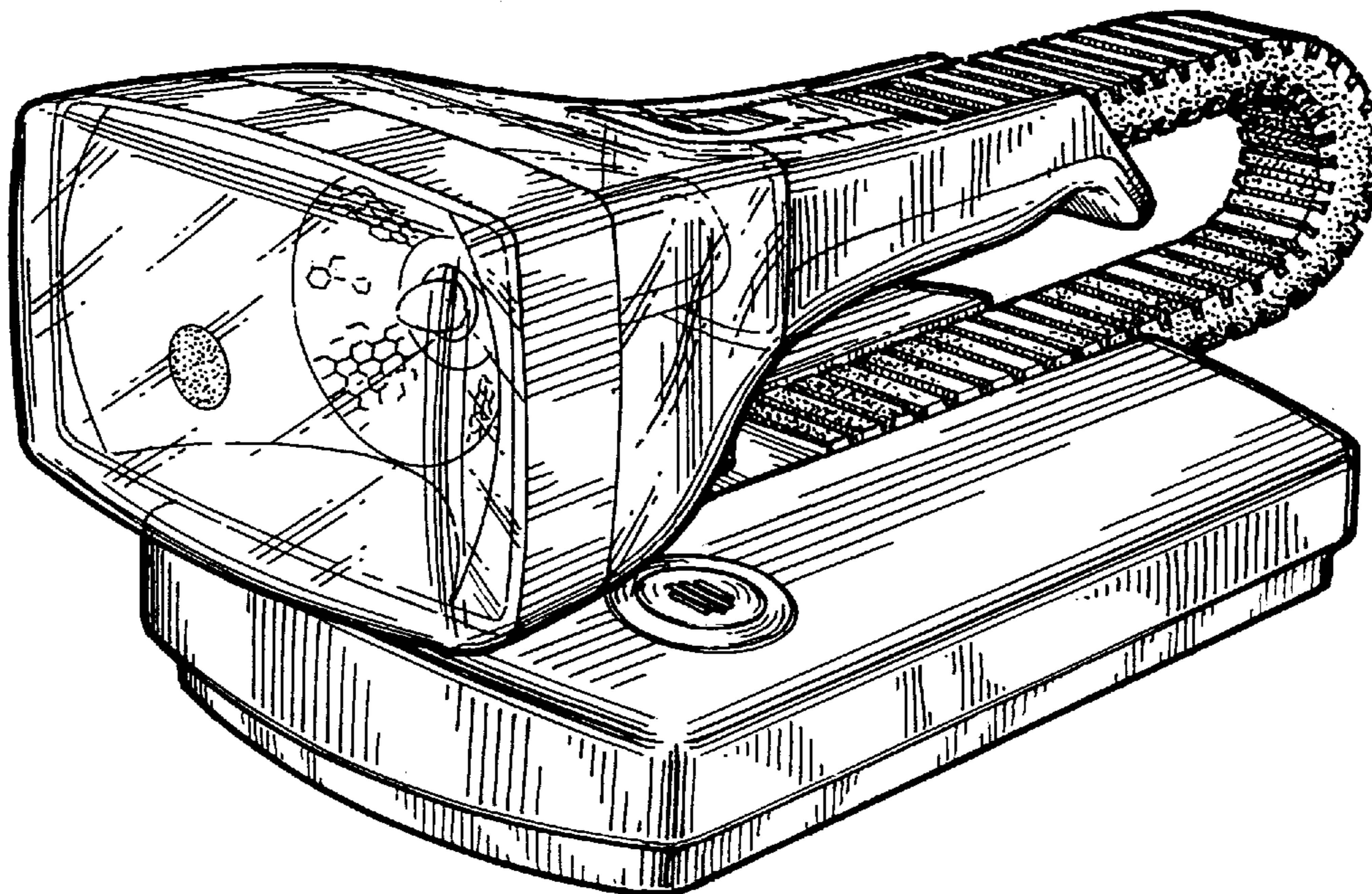
[57] **CLAIM**

The ornamental design for the light, as shown and described.

**DESCRIPTION**

FIG. 1 is a perspective view of a light showing the new design;  
FIG. 2 is a side view of one side of the light shown in FIG. 1;  
FIG. 3 is a side view of the other side of the light shown in FIG. 1;  
FIG. 4 is a top view of the light;  
FIG. 5 is a front view of the light;  
FIG. 6 is a rear view of the light; and,  
FIG. 7 is a bottom view of the light.

**1 Claim, 6 Drawing Sheets**



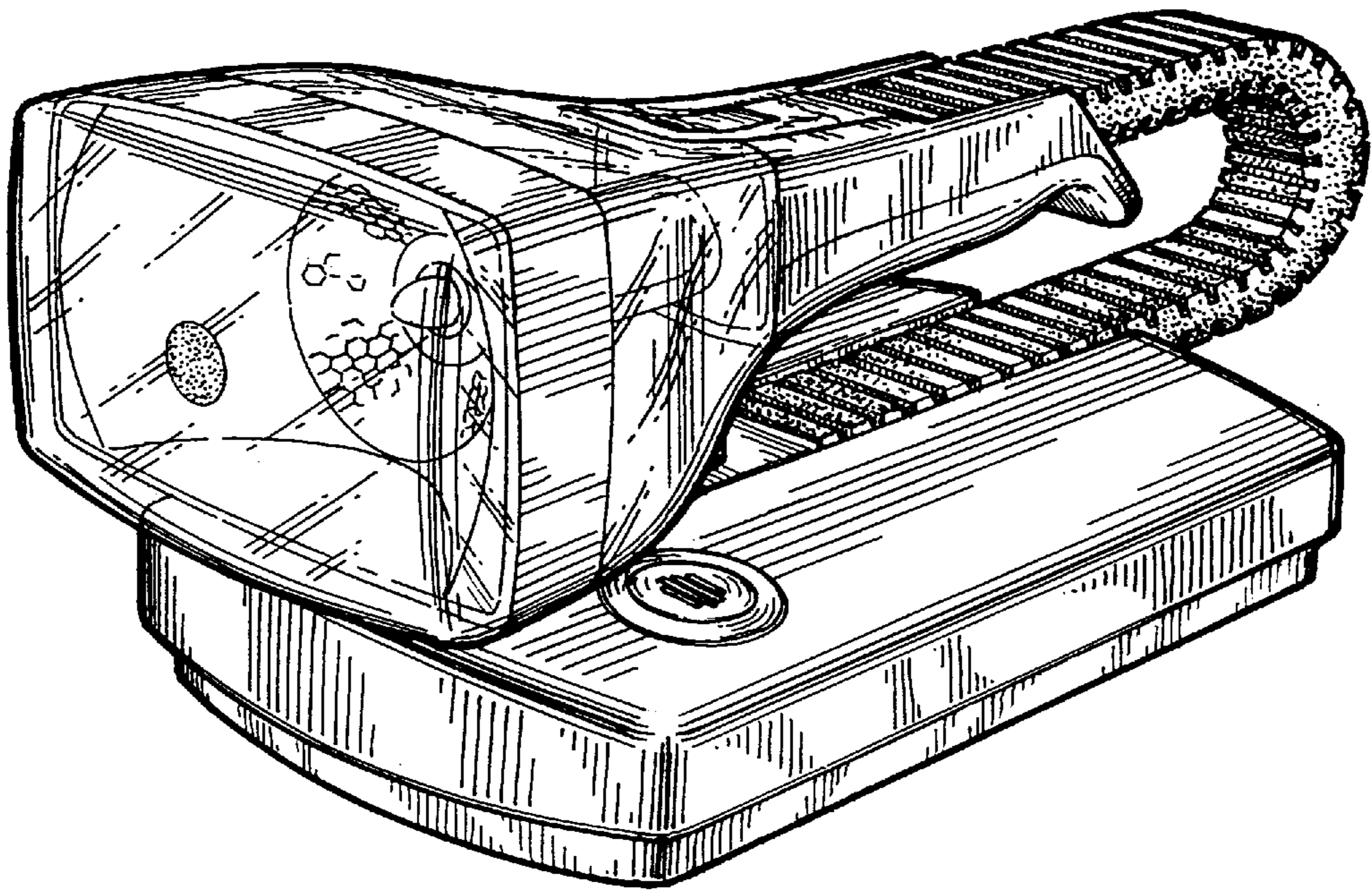


Fig. 1

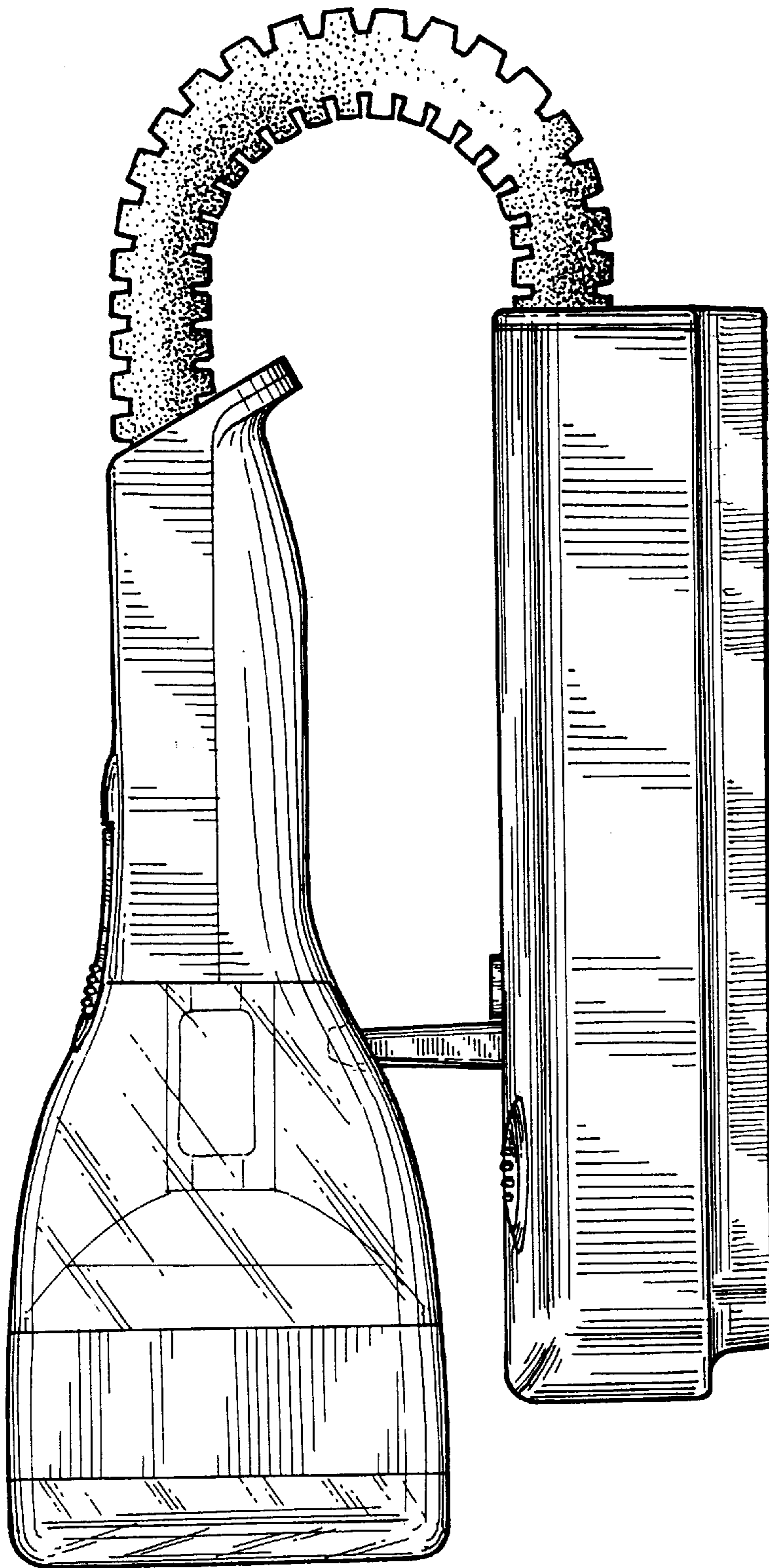


Fig. 2

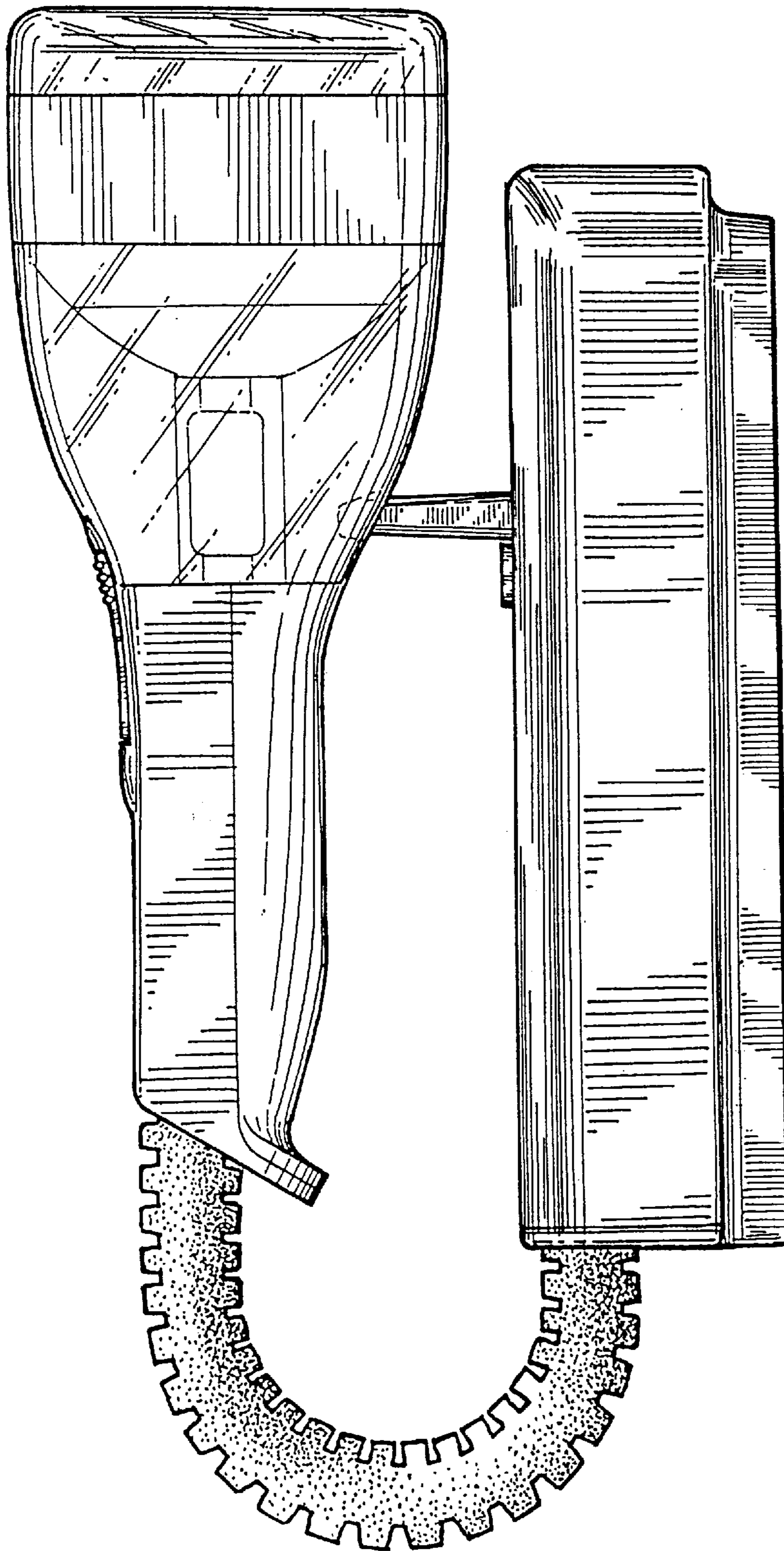


Fig. 3

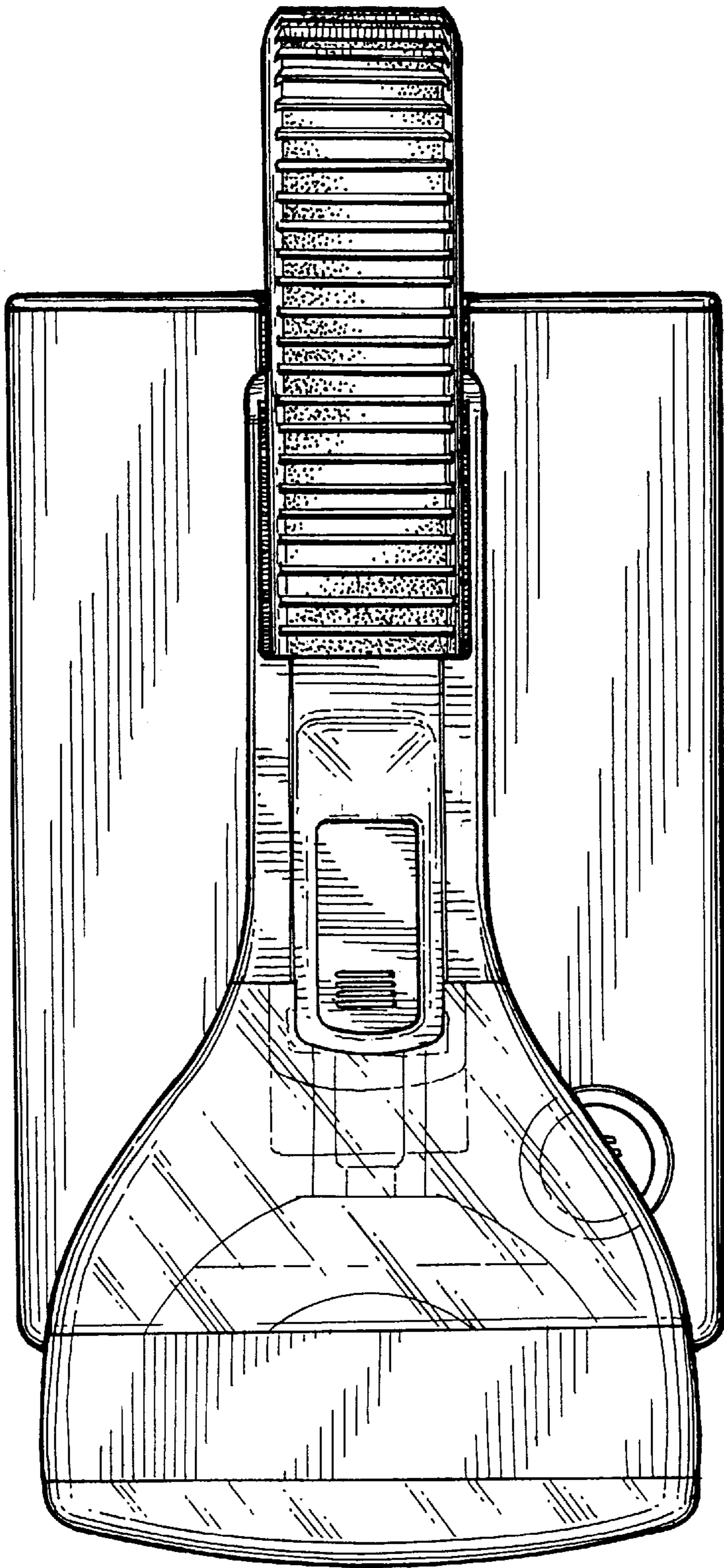


Fig. 4

Fig. 5

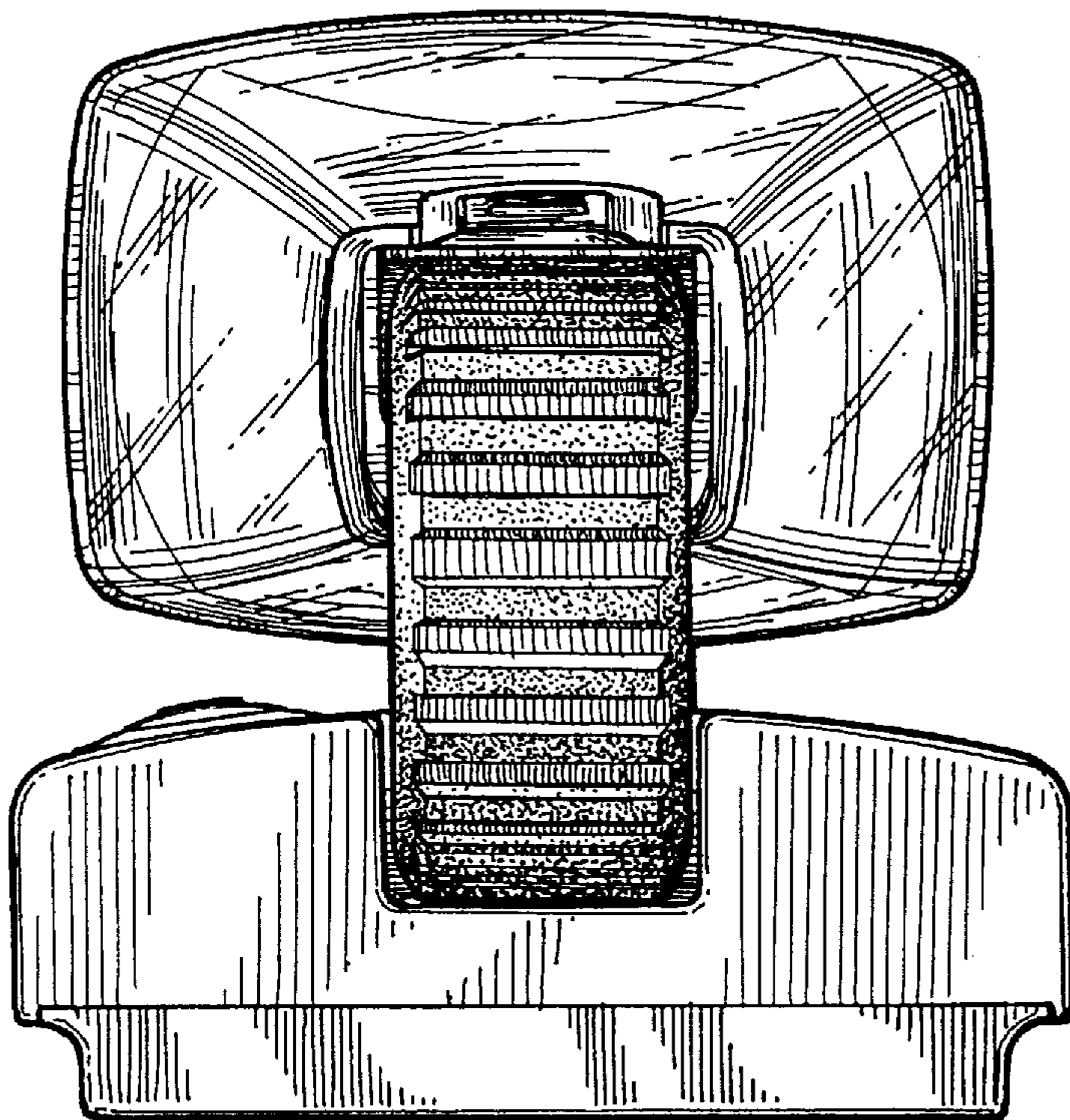
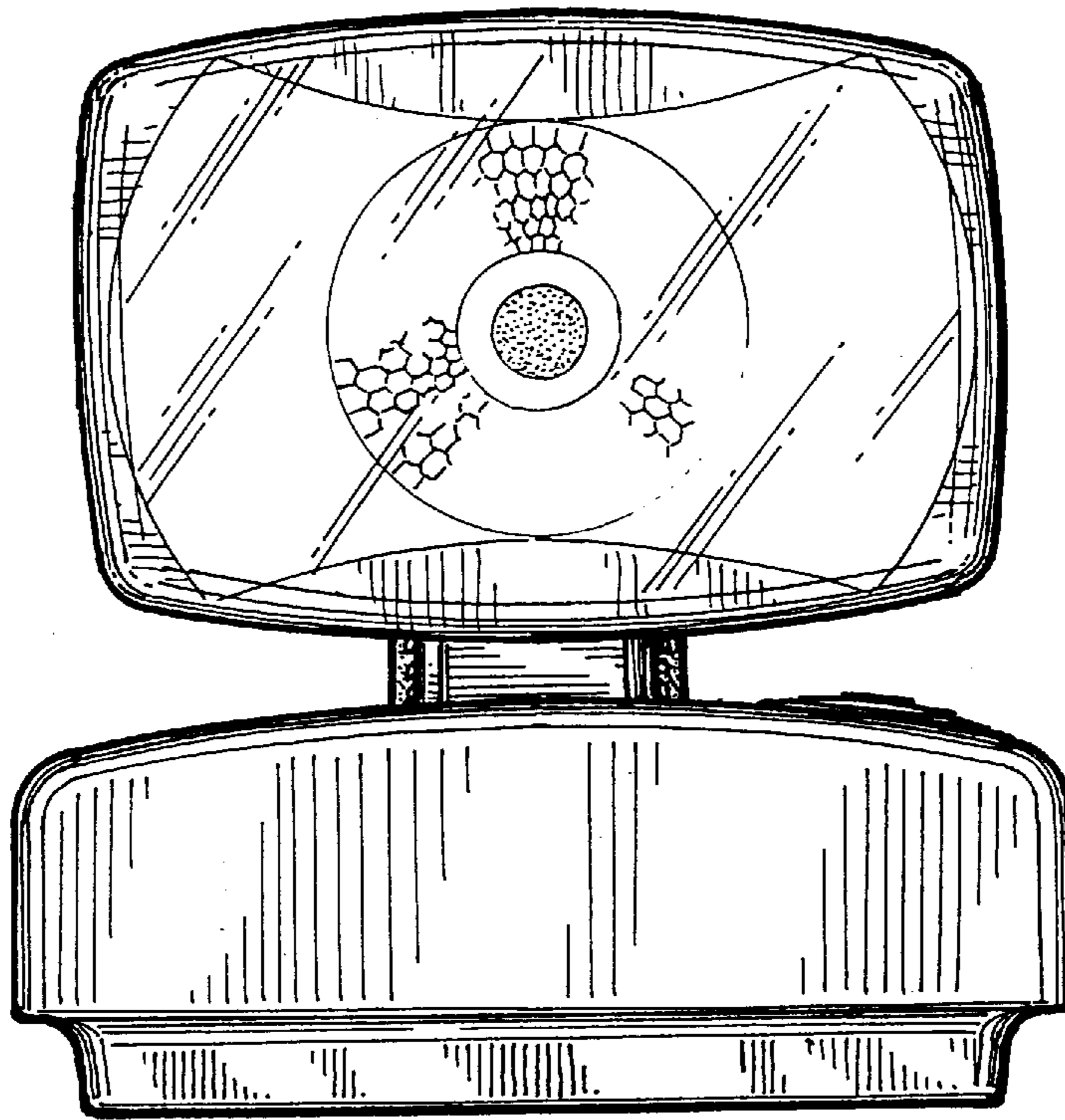


Fig. 6

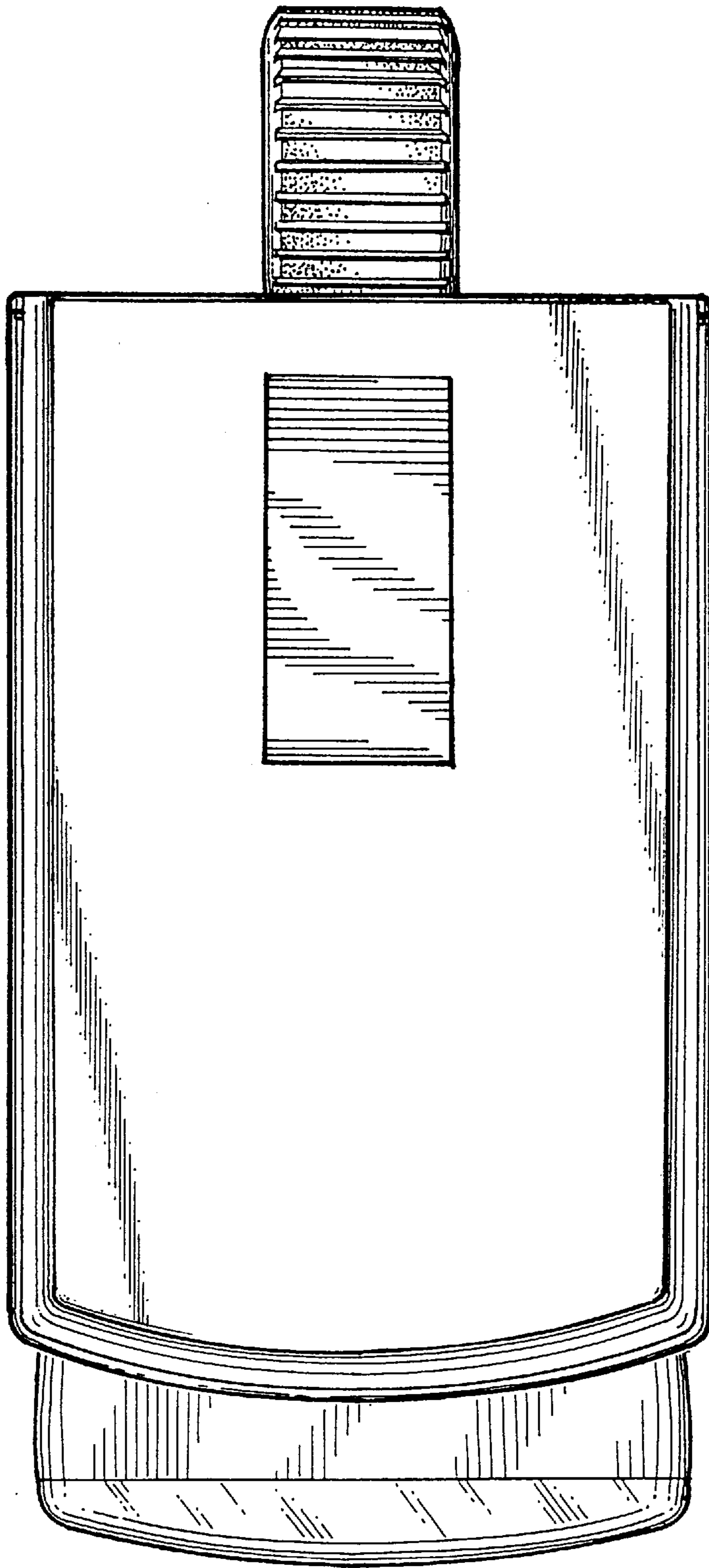


Fig. 7