



US00D400991S

United States Patent [19]

LaRosa et al.

[11] **Patent Number: Des. 400,991**

[45] **Date of Patent: **Nov. 10, 1998**

[54] **EMERGENCY LIGHTING HEADS**

[75] Inventors: **Joseph M. LaRosa**, Portland; **Richard Diachenko**, Avon, both of Conn.; **John E. Studer, Jr.**, Gladstone, N.J.

[73] Assignee: **GSEG LLC**, Farmington, Conn.

[**] Term: **14 Years**

[21] Appl. No.: **73,215**

[22] Filed: **Jul. 3, 1997**

[51] **LOC (6) Cl.** **26-06**

[52] **U.S. Cl.** **D26/28**

[58] **Field of Search** D26/28-36; 362/61, 362/62, 64, 80, 81, 82, 83, 84, 80.1, 83.2, 362, 432

[56] **References Cited**

U.S. PATENT DOCUMENTS

D. 264,253	5/1982	Goldschmidt et al. .	
D. 354,147	1/1995	Ueda	D26/28
D. 390,981	2/1998	Kaczorowski et al.	D26/28
3,772,527	11/1973	Darling et al. .	

OTHER PUBLICATIONS

- Quantum Combo and Quick-Mount—Lithonia Lighting Jan. 1995.
- Quantum—Lithonia Lighting pp. 194-195, 200-201.
- AtLite Contours (PC 1-10)—AtLite Lighting pp. 2-7.
- Cavalier—Lightalarms Elec. pp. D1A-D1B Jan. 1990.
- Celebrity—Chloride Systems Spec. Sheet #C1000.
- Gem Light—Chloride Systems Spec. Sheet #C1003.
- 6MF/6NMF Series—Chloride Systems Spec. Sheet #C1043.
- Infinity Series II—Chloride Systems Spec. Sheet #C1064.
- Escort Series, Provider Series, ME Series, JS Series and LP, LS and LC Series—Emergi-Lite pp. 9-16.
- EMAX—p. 8; ELB Series—p. 10; Designer Series—p. 5; Emergency Light/Exit Combination—p. 30; EDS—p. EL1—Prescolite Emergency Sys. Oct. 1989.
- CCX Contractor's Choice Exits and Emergency Lighting—Sure-Lites.
- Pathfinder Series Exit Sign—Hubbell Lighting Nov. 1992.

- PE Series Emergency Lighting—Hubbell Lighting Sep. 1991.
- Series DM,DS—Lightalarms—pp. D3-D4 Jul. 1988.
- KB-1—Lightalarms—Nov. 1990.
- Watchguard EMS—Sure-Lites.
- Windsor—Big Beam Emergency System, Inc.
- Emergency Lighting Products—Dual-Lite Nov. 1996.
- Two (2) photographs of Prescolite Designer Series Emergency Light.
- Two (2) photographs of Lithonia Lighting LH QM Series Emergency Light.
- Two (2) photographs of Chloride Systems Infinity Series Emergency Light.
- Two (2) photographs of Chloride Systems Celebrity Series Emergency Light.
- Two (2) photographs of Atlite Lighting Equipment, Inc. PC Series Emergency Light.
- Two (2) photographs of Emergi-Lite Escort Series Emergency Light.
- Two (2) photographs of Emergi-Lite PRO Series Emergency Light.
- Three (3) photographs of Chloride Systems GM Series Emergency Light.
- Two (2) photographs of Hubbell Lighting Inc. PE Series Emergency Light.
- Two (2) photographs of Lightalarms Electronic Corp. Cavalier II Emergency Light.
- Two (2) photographs of JUNO Lighting, Inc. ECR Series Emergency Light.
- Six (6) photographs of Lithonia Lighting ELM Series Emergency Light.
- Two (2) photographs of Sure-Lites/Cooper Lighting CCX Series Emergency Light.

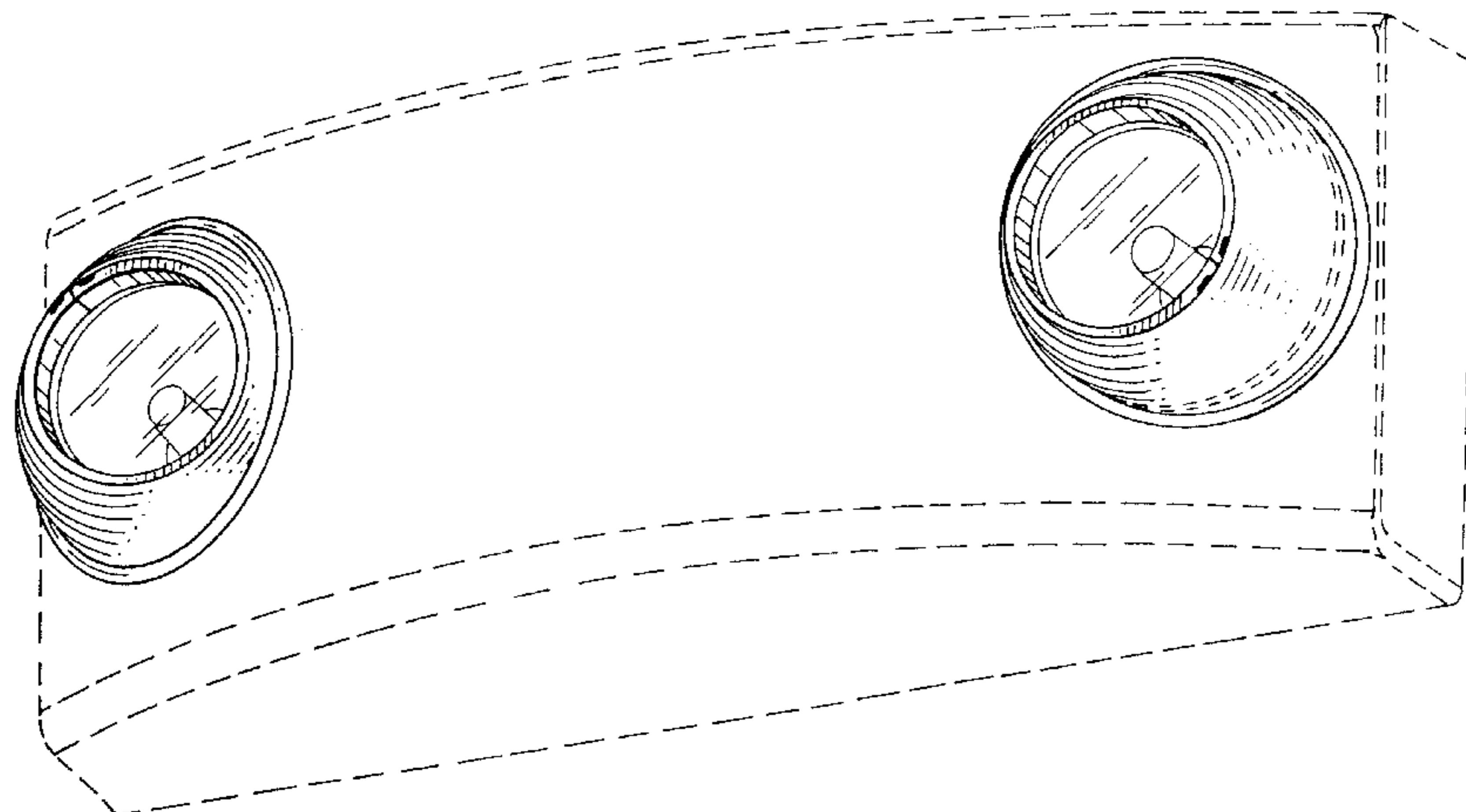
Primary Examiner—Marcus A. Jackson
Attorney, Agent, or Firm—Ware, Fressola, Van der Sluys & Adolphson LLP

[57] **CLAIM**

We claim the ornamental design for emergency lighting heads, as shown and described.

DESCRIPTION

FIG. 1 is a perspective view of the invention;
FIG. 2 is a top view of the invention;



Des. 400,991

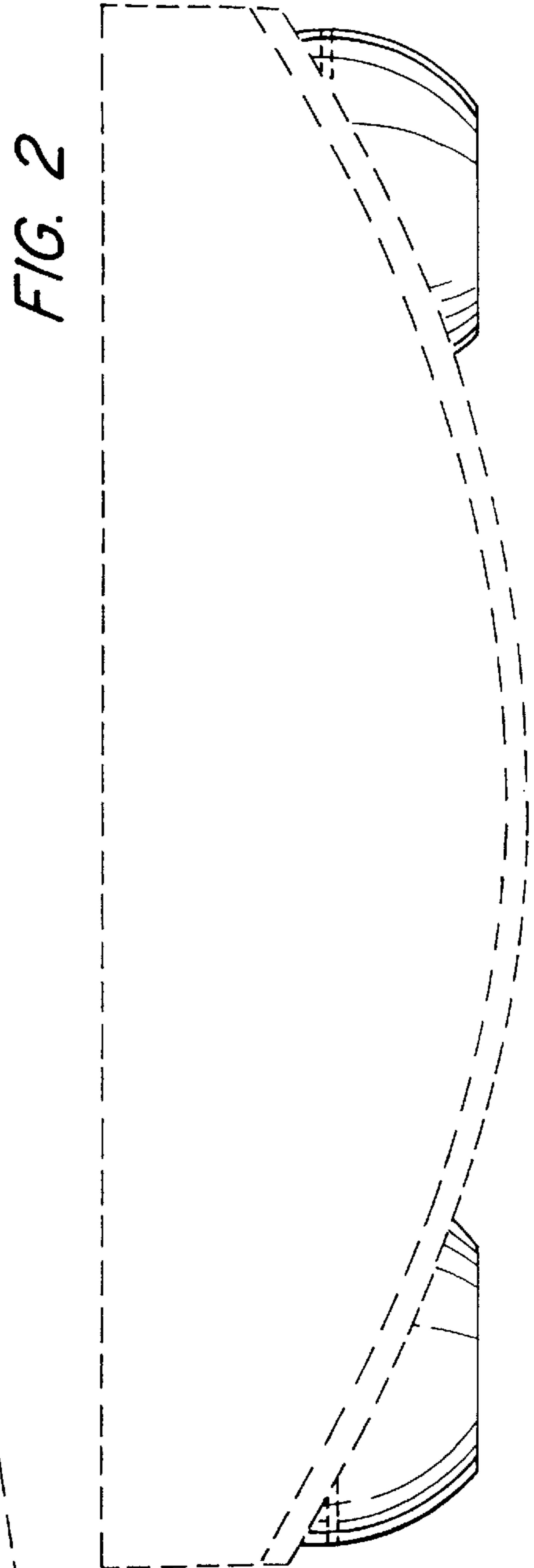
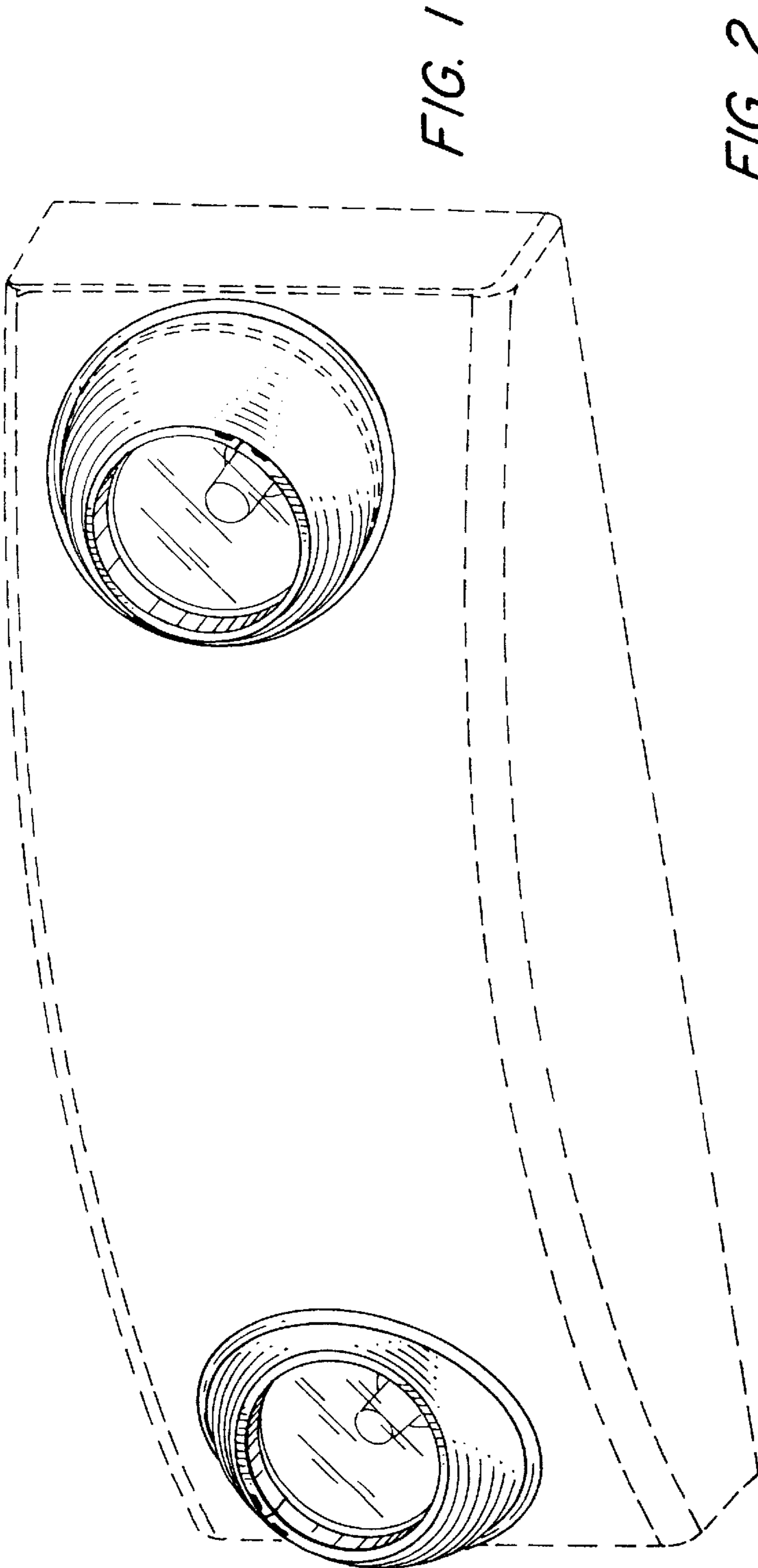
Page 2

FIG. 3 is a front view of the invention; and,
FIG. 4 is a typical side view of the invention.

The bottom view would be identical to the top view of FIG.
2. The broken lines shown in the figures are for illustrative

purposes only and form no part of the claimed design.

1 Claim, 2 Drawing Sheets



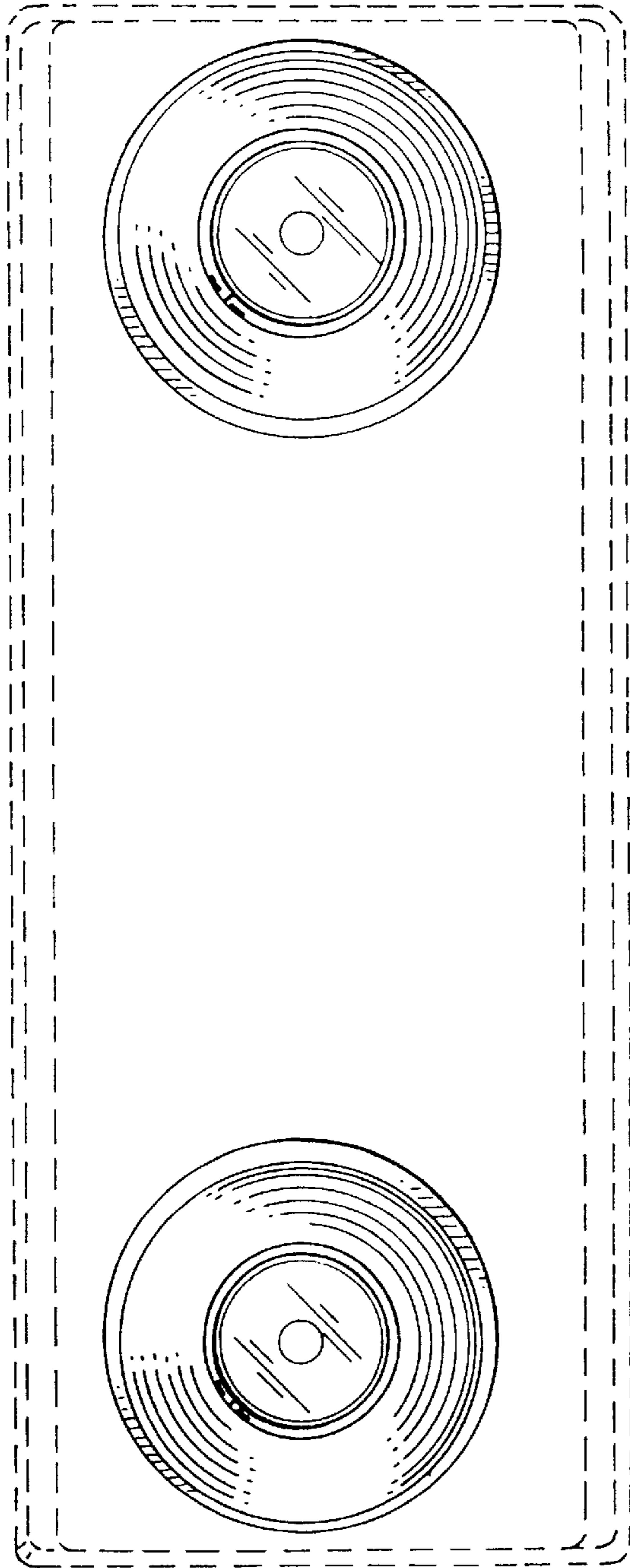


FIG. 3

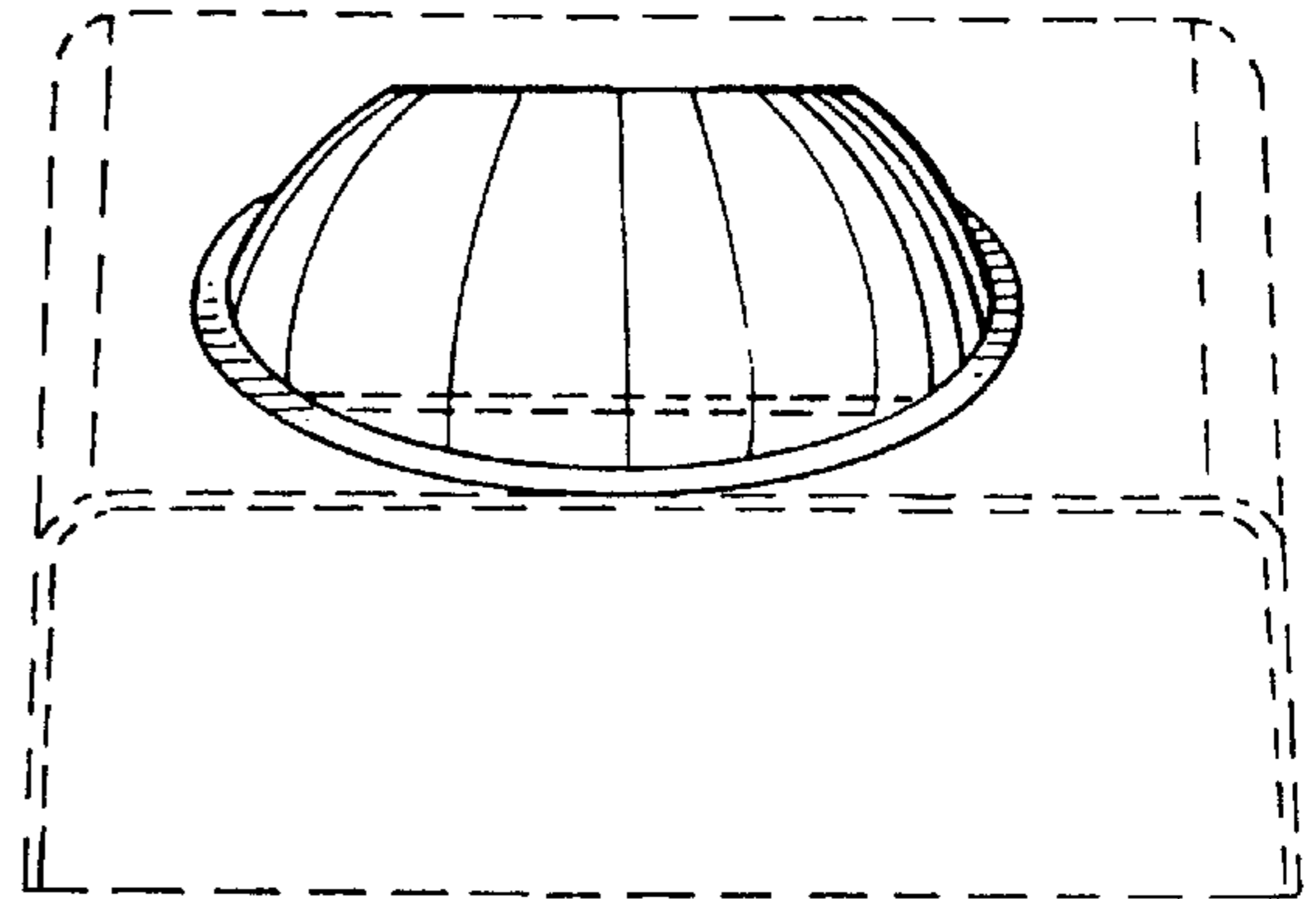


FIG. 4

UNITED STATES PATENT AND TRADEMARK OFFICE
CERTIFICATE OF CORRECTION

PATENT NO. : Des. 400,991

DATED : November 10, 1998

INVENTOR(S) : Joseph M. LaRosa, et. al.

It is certified that error appears in the above-identified patent and that said Letters Patent is hereby corrected as shown below:

Title page, item [56] under References Cited, add the following:

--D264,254	05/1982	Heritage
D320,863	10/1991	Macaluso
4,499,528	02/1985	Hawlitzki--.

Signed and Sealed this
Eighth Day of February, 2000

Attest:



Q. TODD DICKINSON

Attesting Officer

Commissioner of Patents and Trademarks