



US00D400989S

# United States Patent [19] Chen

[11] **Patent Number: Des. 400,989**

[45] **Date of Patent: \*\*Nov. 10, 1998**

[54] **CANDLE LANTERN**

[76] Inventor: **Chin S. Chen**, 3126 Lexington Dr.,  
Ann Arbor, Mich. 48105

[\*\*] Term: **14 Years**

[21] Appl. No.: **75,161**

[22] Filed: **Aug. 18, 1997**

[51] **LOC (6) Cl. .... 26-01**

[52] **U.S. Cl. .... D26/11**

[58] **Field of Search .... D26/6, 9-12, 20-23,  
D26/110; 362/161-163; 431/290-292**

[56] **References Cited**

**U.S. PATENT DOCUMENTS**

Re. 20,434	7/1937	Barrett	67/21
D. 174,398	4/1955	Lamp	D26/11
D. 199,583	11/1964	Rogers	D26/11
214,394	4/1879	Irwin	.
D. 243,971	4/1977	Thompson	D48/2
D. 288,722	3/1987	Harada	D26/11
D. 321,261	10/1991	Shiraishi	D26/161
568,533	9/1896	Hirsch	.
1,183,656	5/1916	Lindsey	.
1,196,913	9/1916	Weidlich	.
2,056,605	10/1936	Guilfoil	362/161
2,685,023	4/1954	Valle	240/13
2,935,041	5/1960	Rovere	116/132
3,760,177	9/1973	Levy	240/81
4,102,323	7/1978	Pritz	431/290
4,181,927	1/1980	Garcia	362/163
4,186,430	1/1980	Britton	362/162
4,260,365	4/1981	Kayne	431/291
4,566,055	1/1986	Klebs et al.	362/162

4,781,895	11/1988	Spector	422/125
4,787,017	11/1988	Yrettos	362/161
4,797,090	1/1989	Rogers	431/290
4,907,140	3/1990	Overstreet	362/162
4,926,297	5/1990	Masters et al.	362/162
5,424,928	6/1995	Jordan et al.	362/162

**OTHER PUBLICATIONS**

The Gift and Art Buyer, Hurricane Lamp #652, p. 89, Mar. 1953.

Early Winters catalog, Alpinist's Lantern, p. 23, 1982.

*Primary Examiner*—Alan P. Douglas

*Assistant Examiner*—Robin V. Taylor

*Attorney, Agent, or Firm*—Young & Basile, P.C.

[57] **CLAIM**

The ornamental design for a candle lantern, as shown and described.

**DESCRIPTION**

FIG. 1 is a perspective view of the candle lantern in which the tubular body is illustrated by straight-line shading as translucent;

FIG. 2 is a left side, right side, front or back elevation view of the candle lantern, the views being identical;

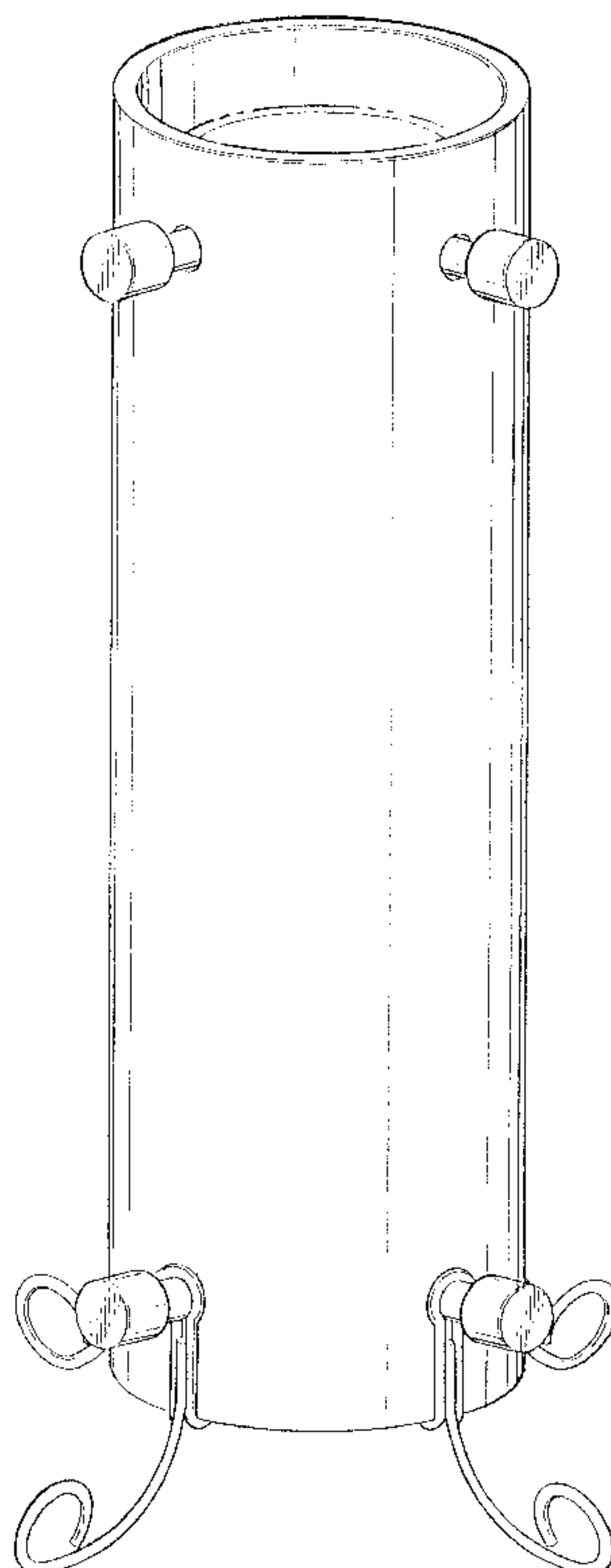
FIG. 3 is a top plan view of the candle lantern;

FIG. 4 is a bottom plan view of the candle lantern; and,

FIG. 5 is a perspective view of an alternate embodiment of the candle lantern of FIGS. 1-4, identical except that the tubular body is illustrated by diagonal shading as transparent.

The broken line showing is for illustrative purposes only and forms no part of the claimed design.

**1 Claim, 4 Drawing Sheets**



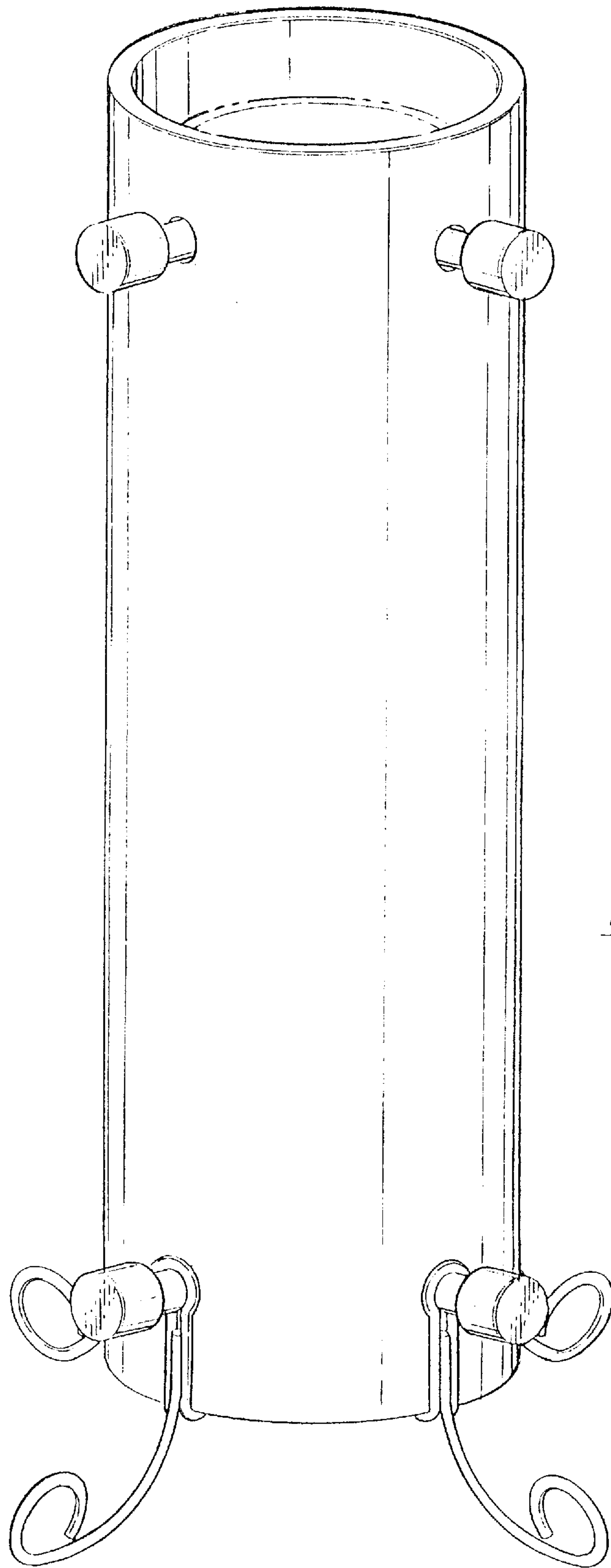


FIG - 1

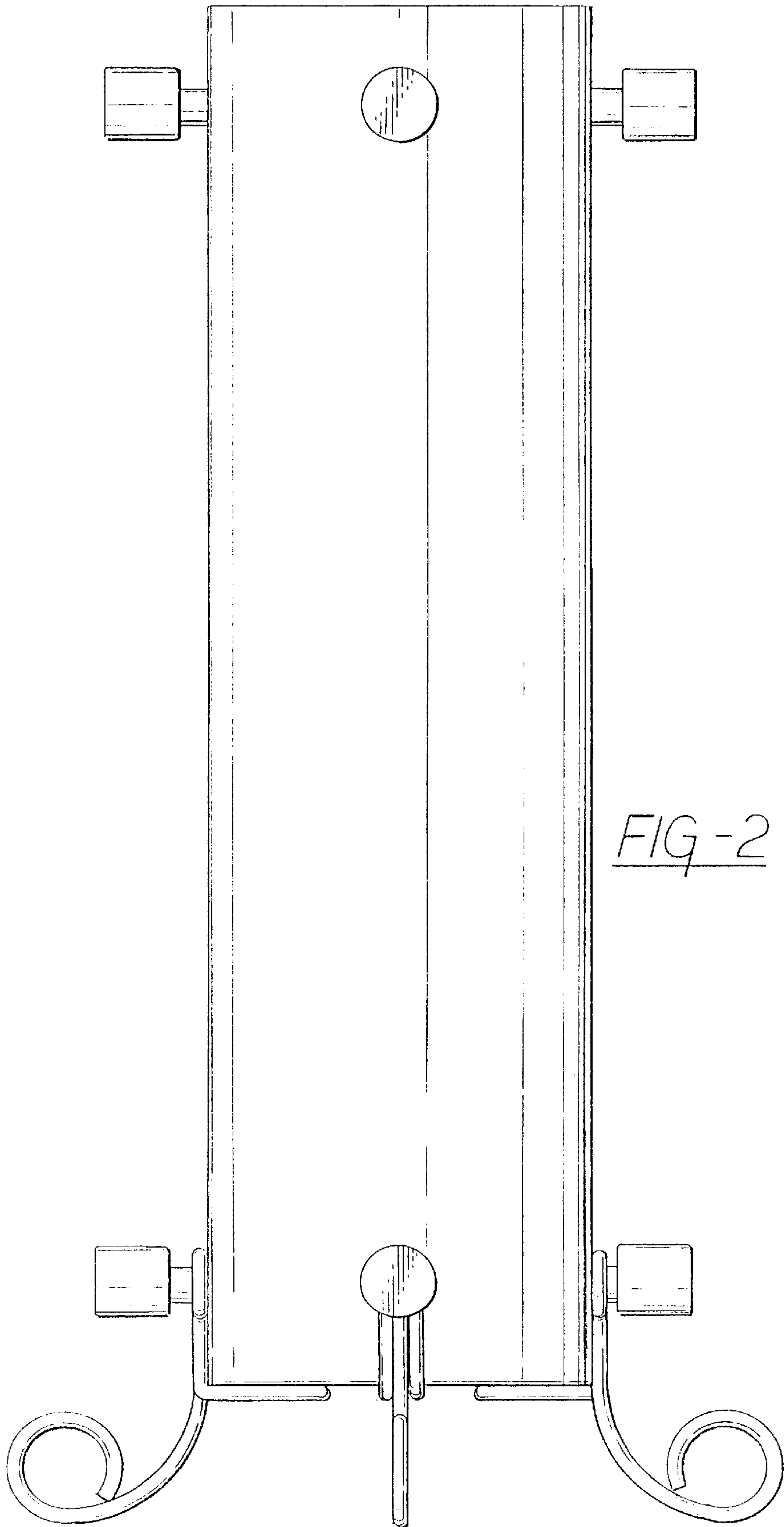


FIG-2

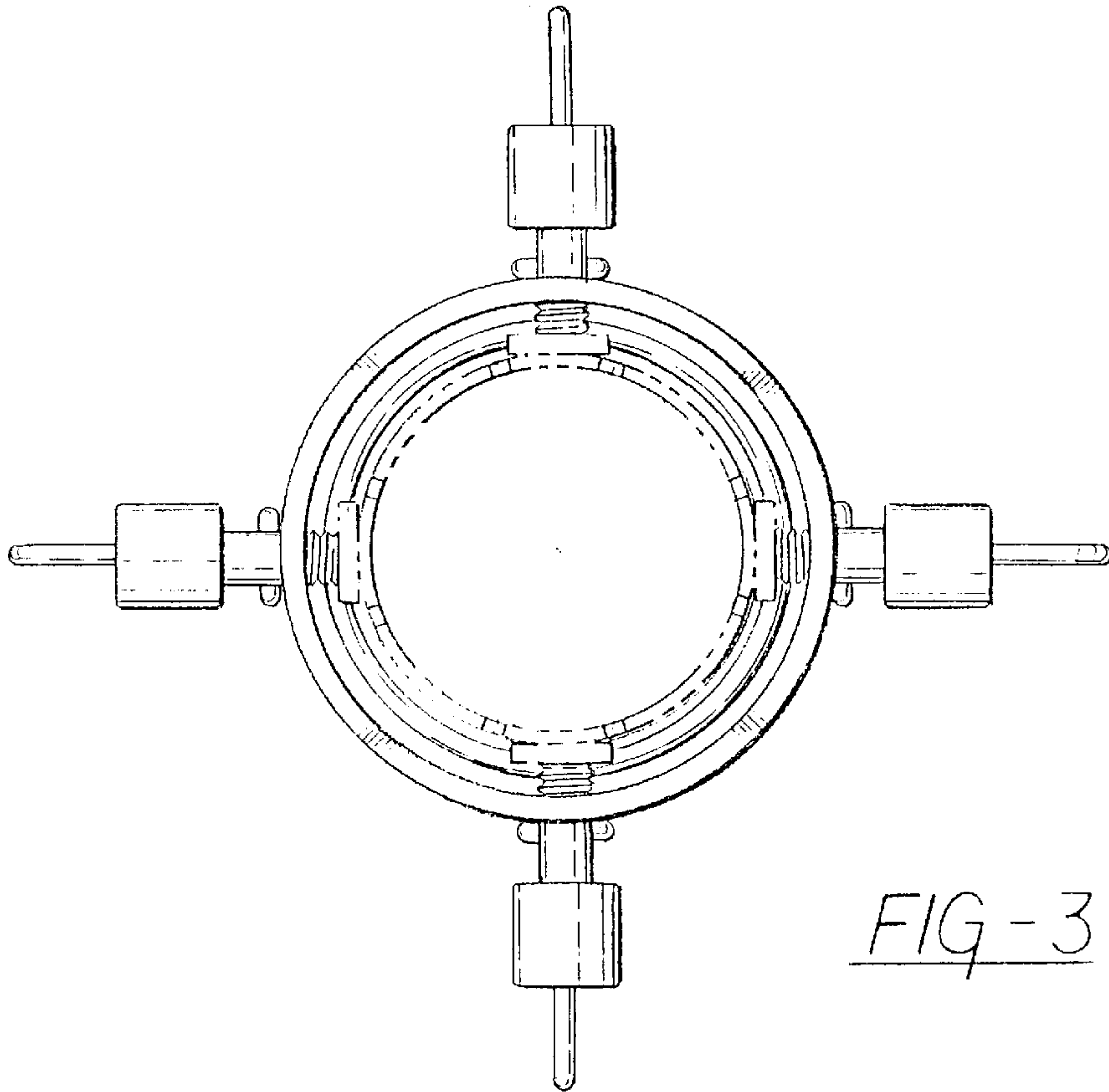


FIG-3

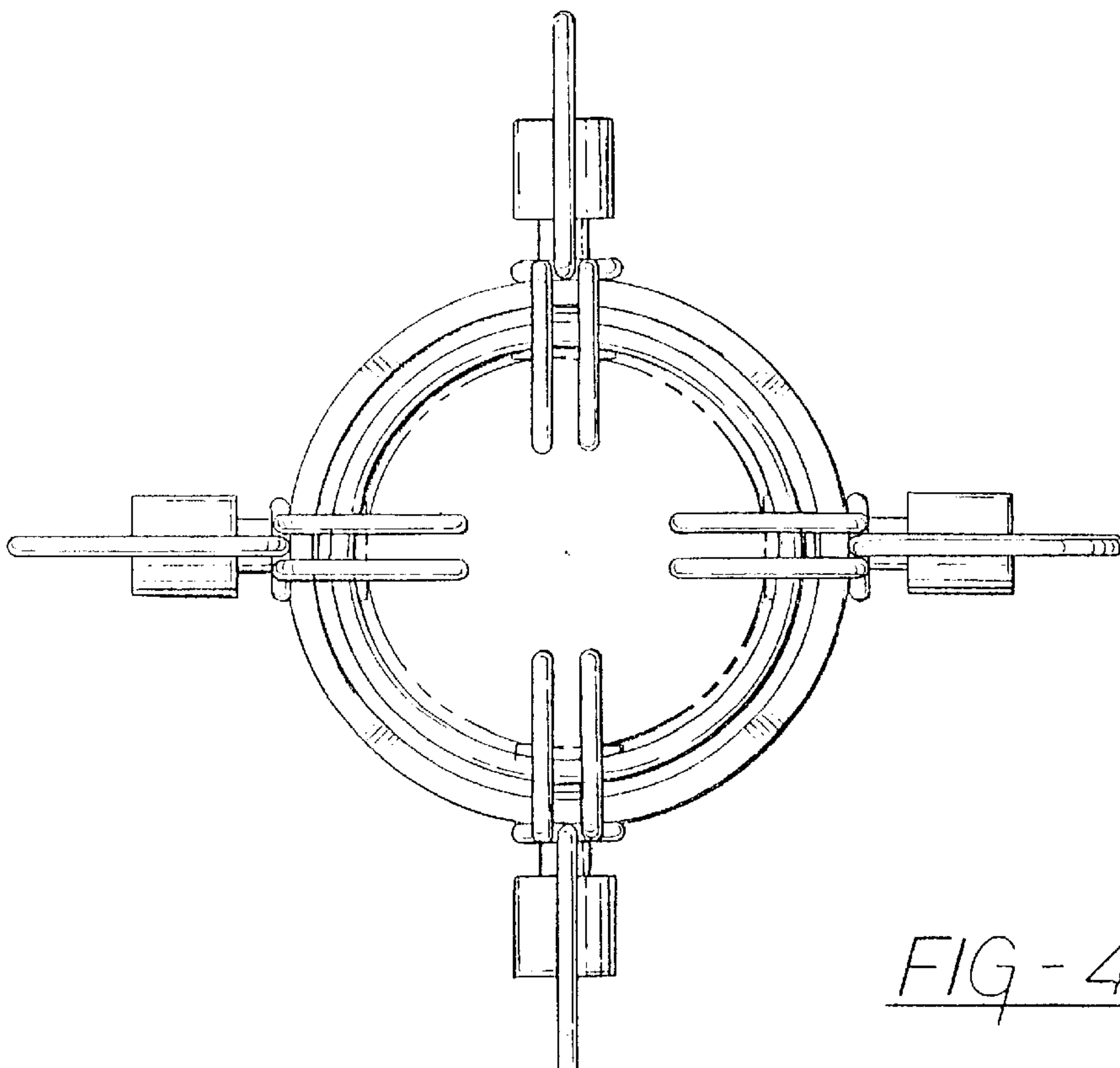


FIG-4

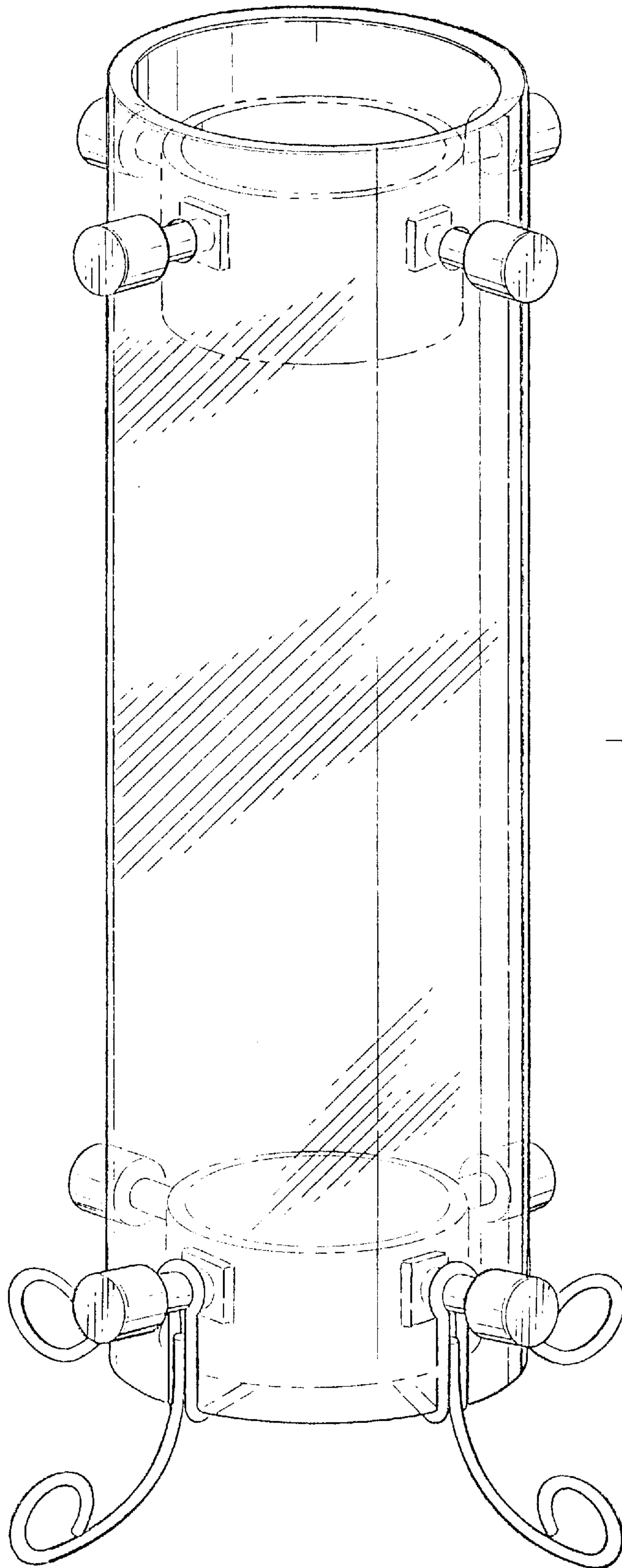


FIG - 5