



US00D400986S

# United States Patent [19] Kanta

[11] **Patent Number: Des. 400,986**

[45] **Date of Patent: \*\*Nov. 10, 1998**

[54] **LINTEL SUPPORT HANGER**

[76] Inventor: **George E. Kanta**, P.O. Box 335, Three Forks, Mont. 59752

[\*\*] Term: **14 Years**

[21] Appl. No.: **64,645**

[22] Filed: **Jan. 8, 1997**

[51] **LOC (6) Cl. .... 25-99**

[52] **U.S. Cl. .... D25/199**

[58] **Field of Search .... 52/204.2, 733.1; D25/199, 124; D8/349, 499**

4,280,308 7/1981 Svensson .  
4,348,002 9/1982 Eyden .  
4,856,252 8/1989 Cornell .

*Primary Examiner*—Doris Clark  
*Attorney, Agent, or Firm*—Richard C. Litman

### [57] CLAIM

The ornamental design for a lintel support hanger, as shown and described.

### DESCRIPTION

FIG. 1 is a perspective view from the top right of a lintel support hanger showing my new design; FIG. 2 is a front elevational view thereof; FIG. 3 is a rear elevational view thereof; FIG. 4 is a left side elevational view with the right side elevational view being a mirror image thereof; FIG. 5 is a top plan view thereof; FIG. 6 is a bottom plan view thereof; and, FIG. 7 is a side elevational view.

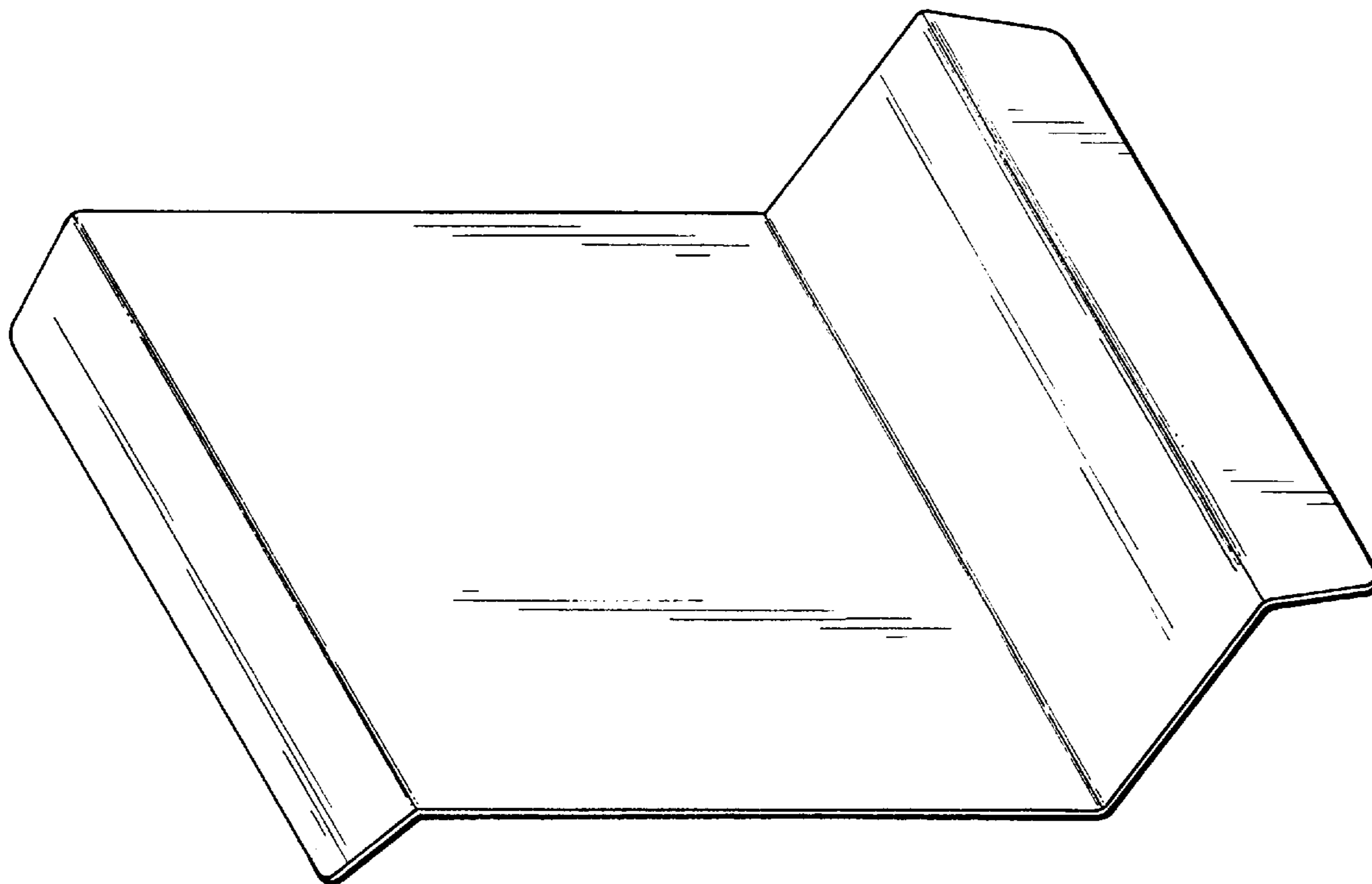
The broken lines showing a lintel support, lintel fasteners and block wall in FIG. 7 is for illustrative purpose only and forms no part of the claimed design.

**1 Claim, 5 Drawing Sheets**

### [56] References Cited

#### U.S. PATENT DOCUMENTS

D. 242,899	1/1977	Barber .....	D25/199
D. 348,596	7/1994	Slaydon .....	D25/199
529,331	11/1894	Lane .....	D25/199
1,051,719	1/1913	Evered .	
1,370,160	3/1921	Schenk .	
1,681,286	8/1928	Fasshauer .	
2,361,828	10/1944	Drayer .....	52/204.2
2,721,819	10/1955	Munroe .	



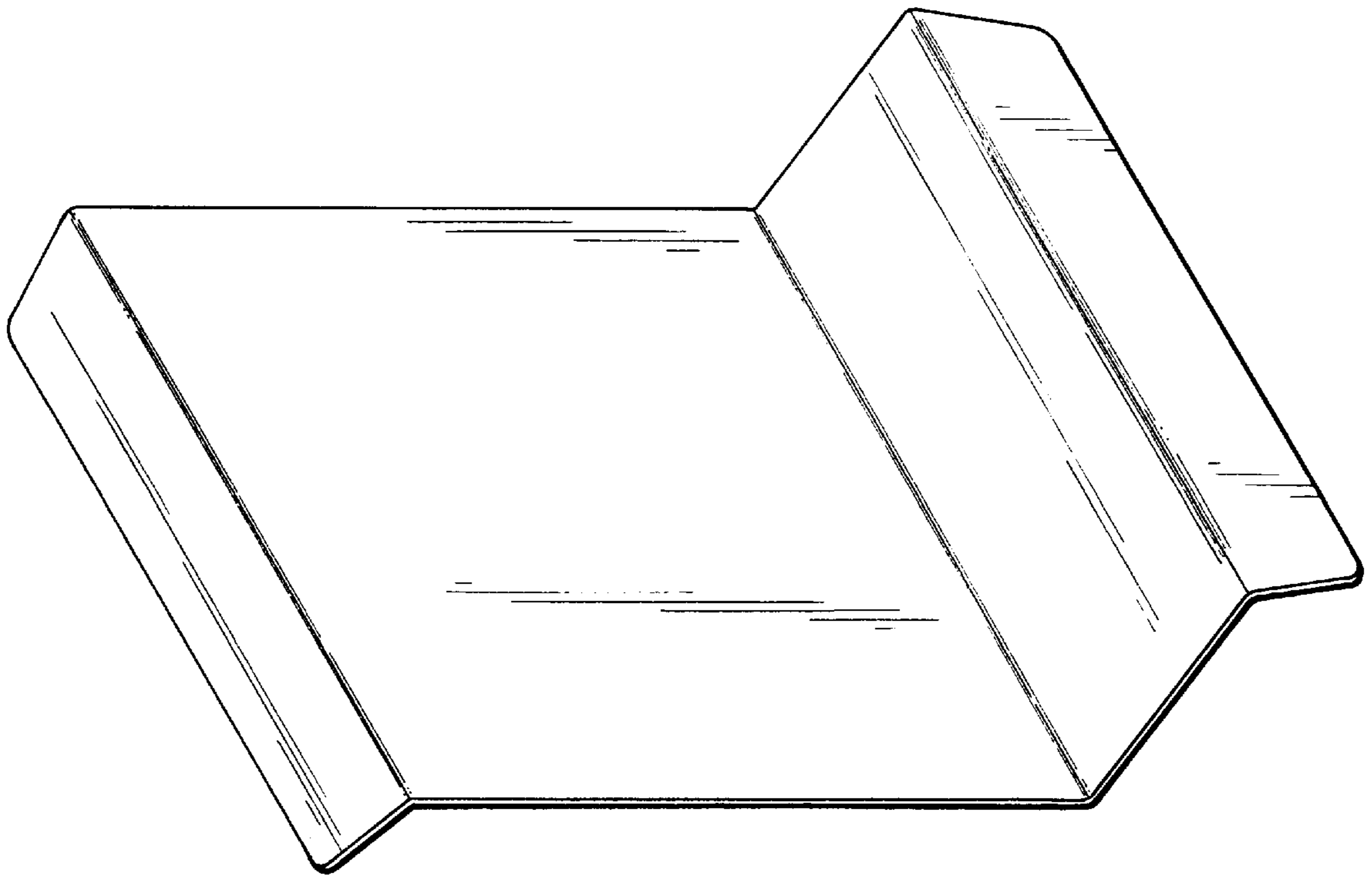


FIG. 1

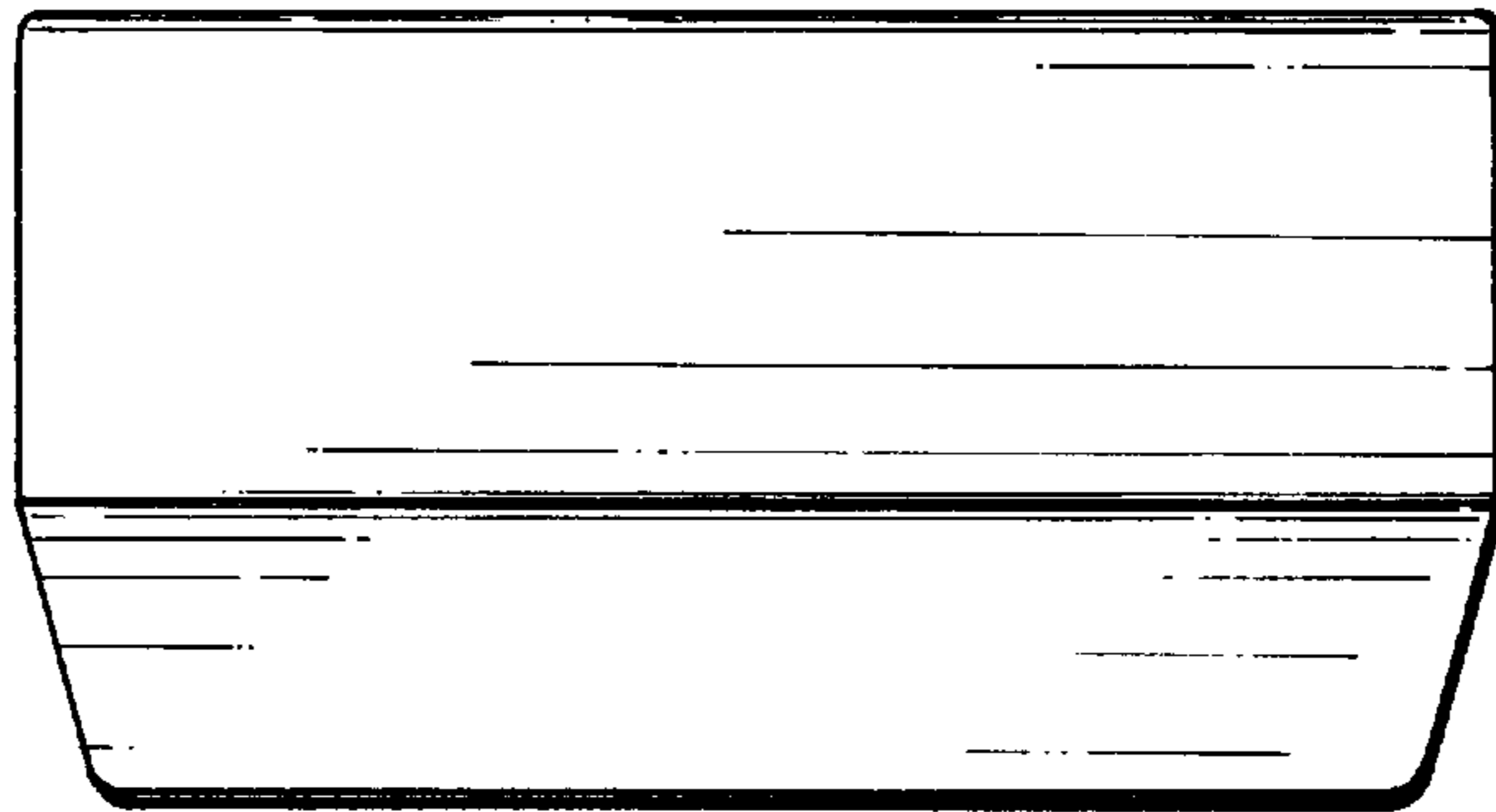


FIG. 2

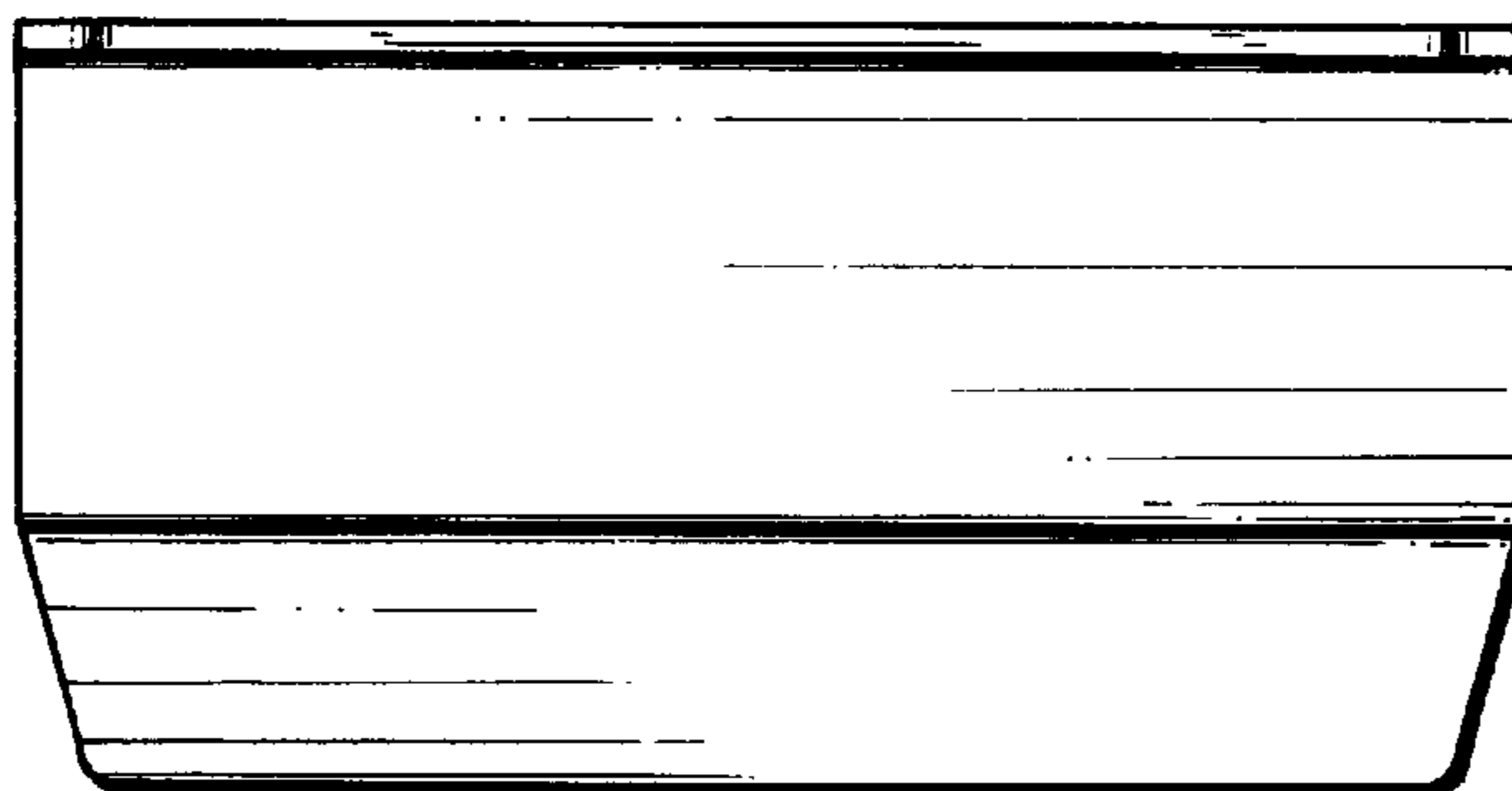


FIG. 3

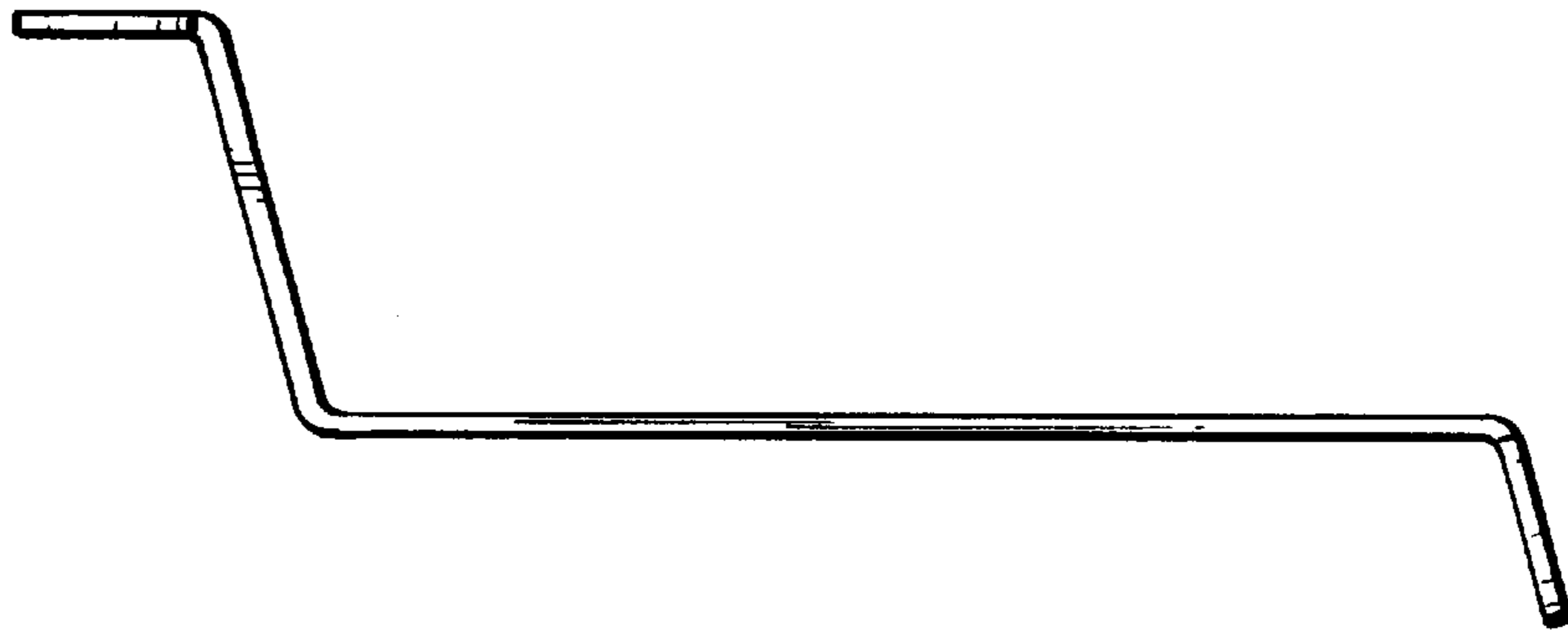


FIG. 4

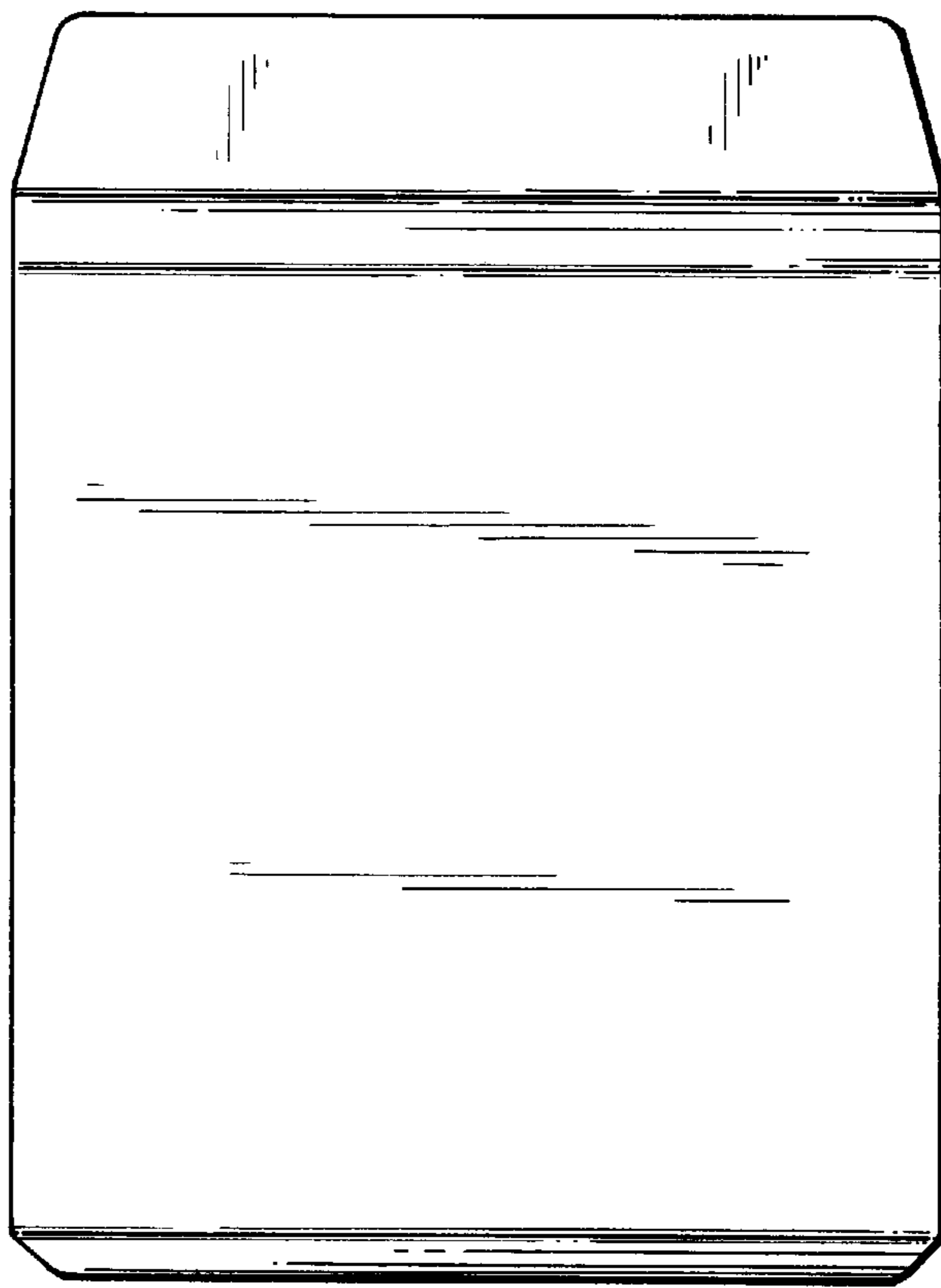


FIG. 5

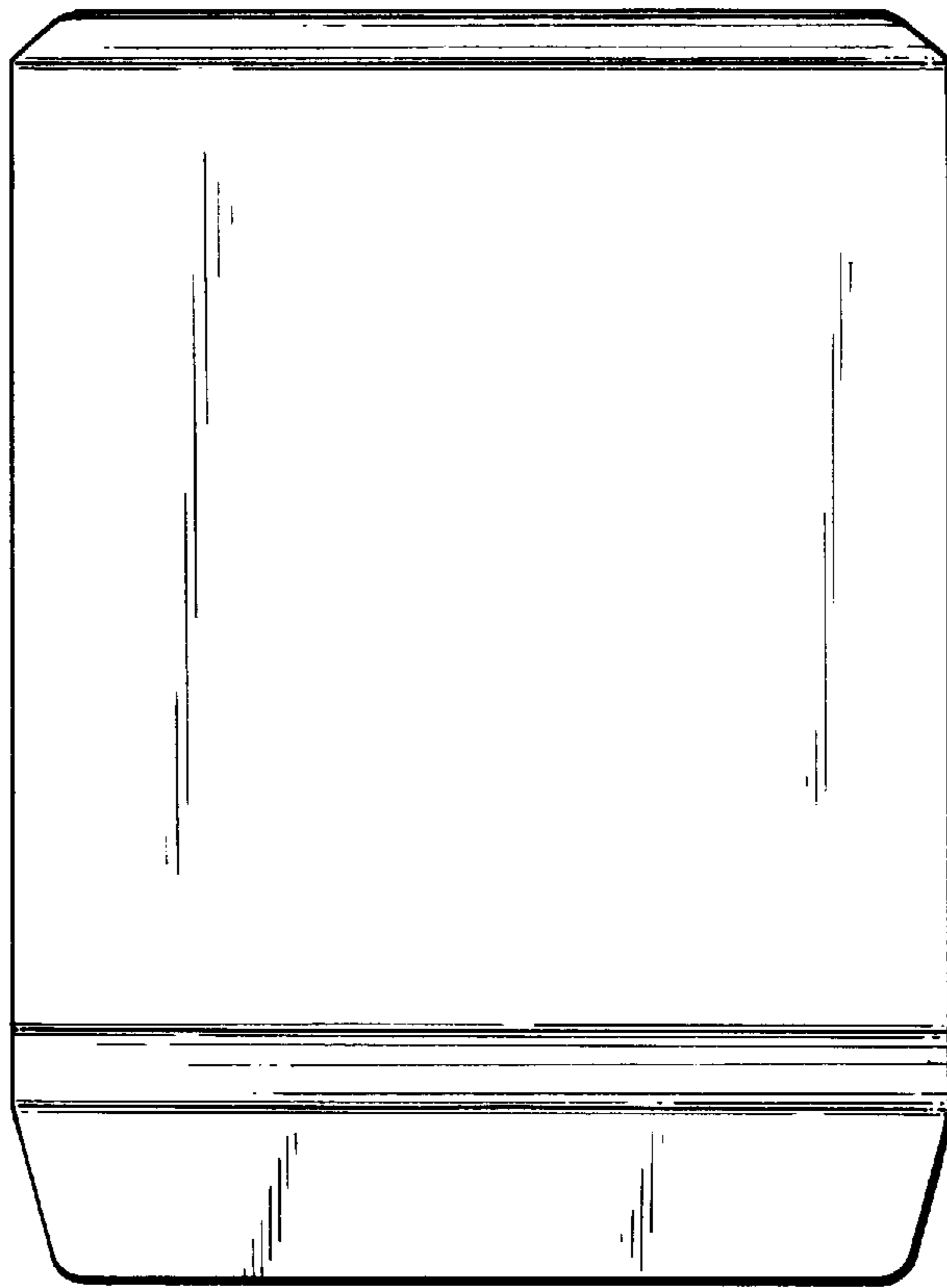


FIG. 6

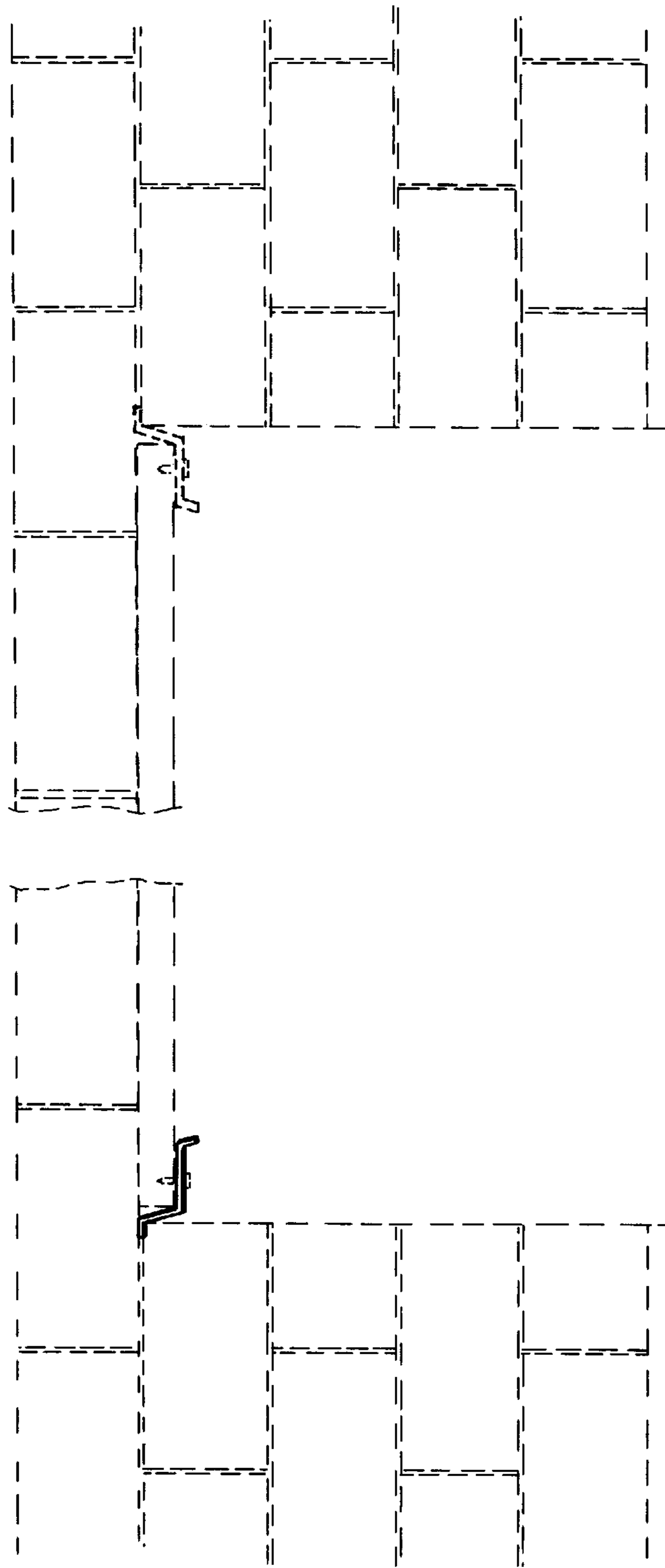


FIG. 7