



US00D400980S

United States Patent [19]
Schroer

[11] **Patent Number: Des. 400,980**

[45] **Date of Patent: **Nov. 10, 1998**

[54] **LAVATORY**

4,991,241 2/1991 Bergmann 4/619

[75] Inventor: **Erhard Schroer**, Karlsruhe, Germany

Primary Examiner—Louis S. Zarfes

Assistant Examiner—Eric Watterson

[73] Assignee: **American Standard Inc.**, Piscataway, N.J.

Attorney, Agent, or Firm—Elaine Brenner Robinson

[**] Term: **14 Years**

[57] **CLAIM**

The ornamental design of a lavatory, as shown and described.

[21] Appl. No.: **13,210**

DESCRIPTION

[22] Filed: **Sep. 20, 1993**

[51] **LOC (6) Cl.** **23-02**

[52] **U.S. Cl.** **D23/293.1**

[58] **Field of Search** D23/284–293.1;
4/619, 623, 675–678

FIG. 1 is a top, front and right side perspective view of a lavatory showing my new design;

FIG. 2 is a left side elevational view thereof, the right side being a mirror image of the left side;

FIG. 3 is a front elevational view thereof;

FIG. 4 is a top plan view thereof;

FIG. 5 is a bottom plan view thereof;

FIG. 6 is a rear elevational view thereof;

FIG. 7 is a top, front and right side perspective view of a second embodiment thereof;

FIG. 8 is a left side elevational view of FIG. 7, the right side being a mirror image of the left side;

FIG. 9 is a front elevational view of FIG. 7;

FIG. 10 is a top plan view of FIG. 7;

FIG. 11 is a bottom plan view of FIG. 7; and,

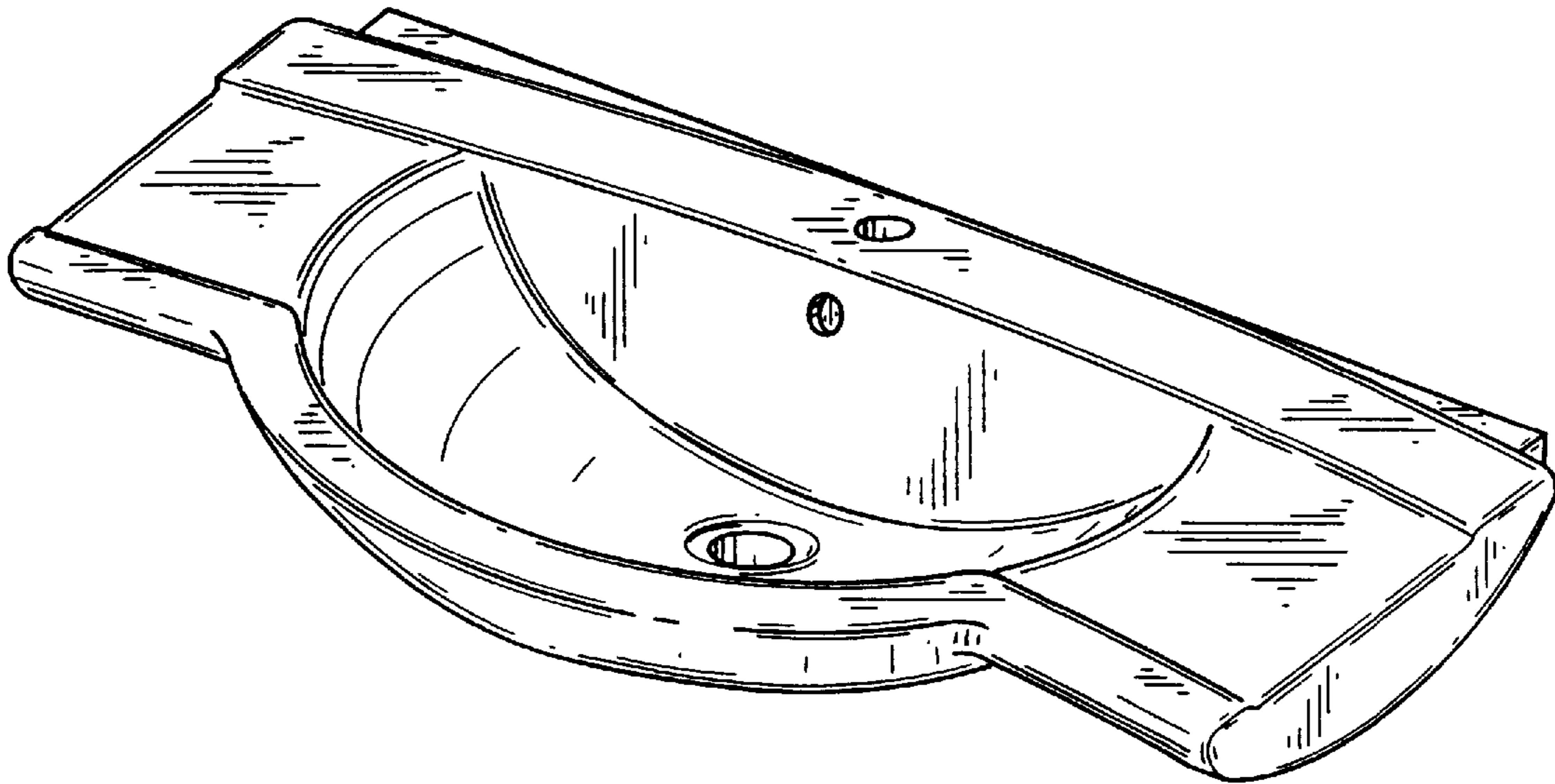
FIG. 12 is a rear elevational view of FIG. 7.

[56] **References Cited**

U.S. PATENT DOCUMENTS

D. 202,411	9/1965	Niemann	D23/293.1
D. 215,291	9/1969	Owings	D23/293.1
D. 218,520	8/1970	Audino et al.	D23/293.1
D. 222,465	10/1971	Anderson	D23/293.1
D. 238,070	12/1975	Ganger	D23/293.1
D. 246,050	10/1977	Garasi	D23/293.1
D. 260,678	9/1981	Hiller	D23/293.1
D. 312,123	11/1990	Enthoven	D23/293.1
D. 319,691	9/1991	Yvetot	D23/293.1
D. 332,996	2/1993	Hart et al.	D23/293.1

1 Claim, 6 Drawing Sheets



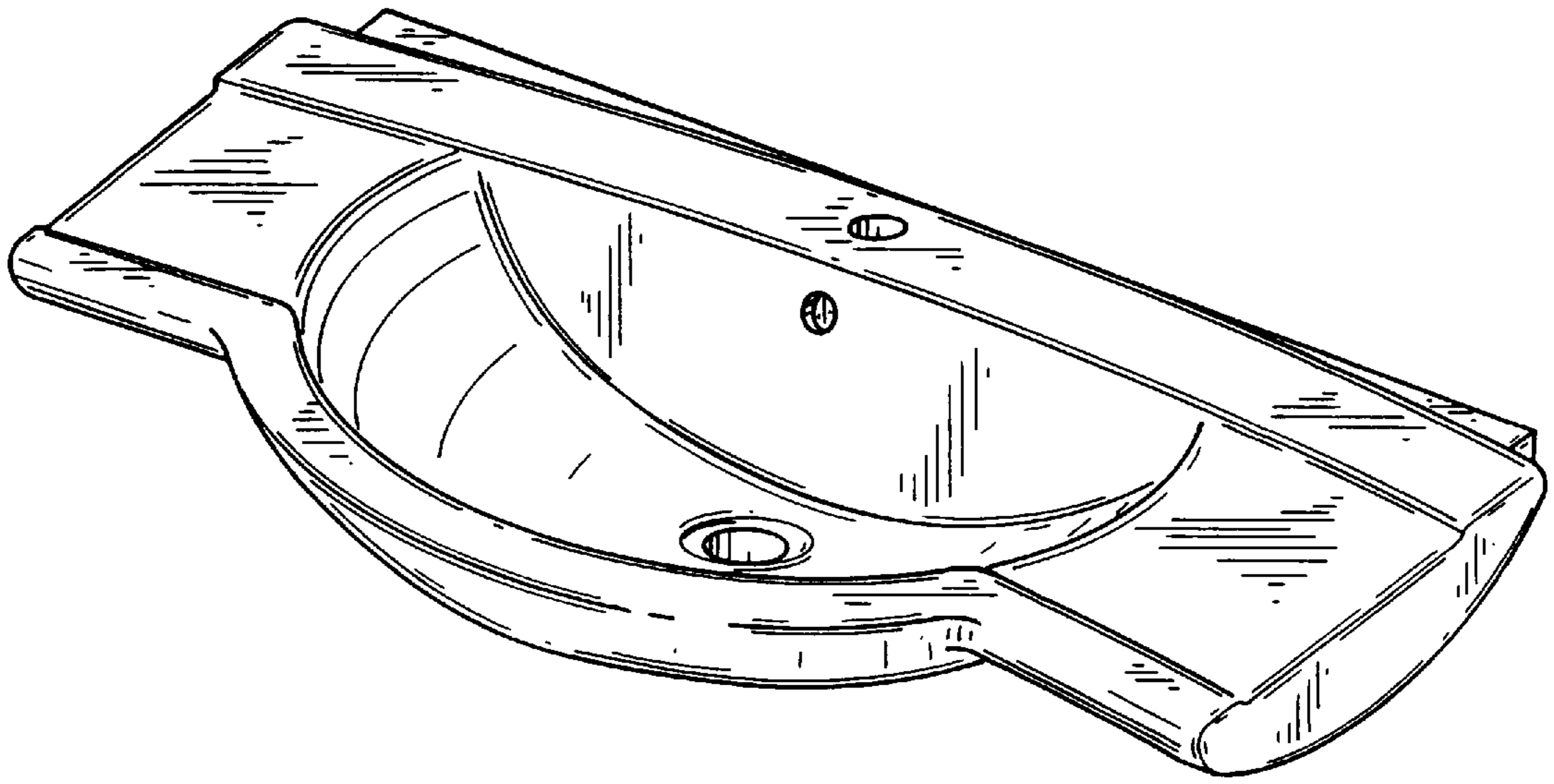


FIG. 1

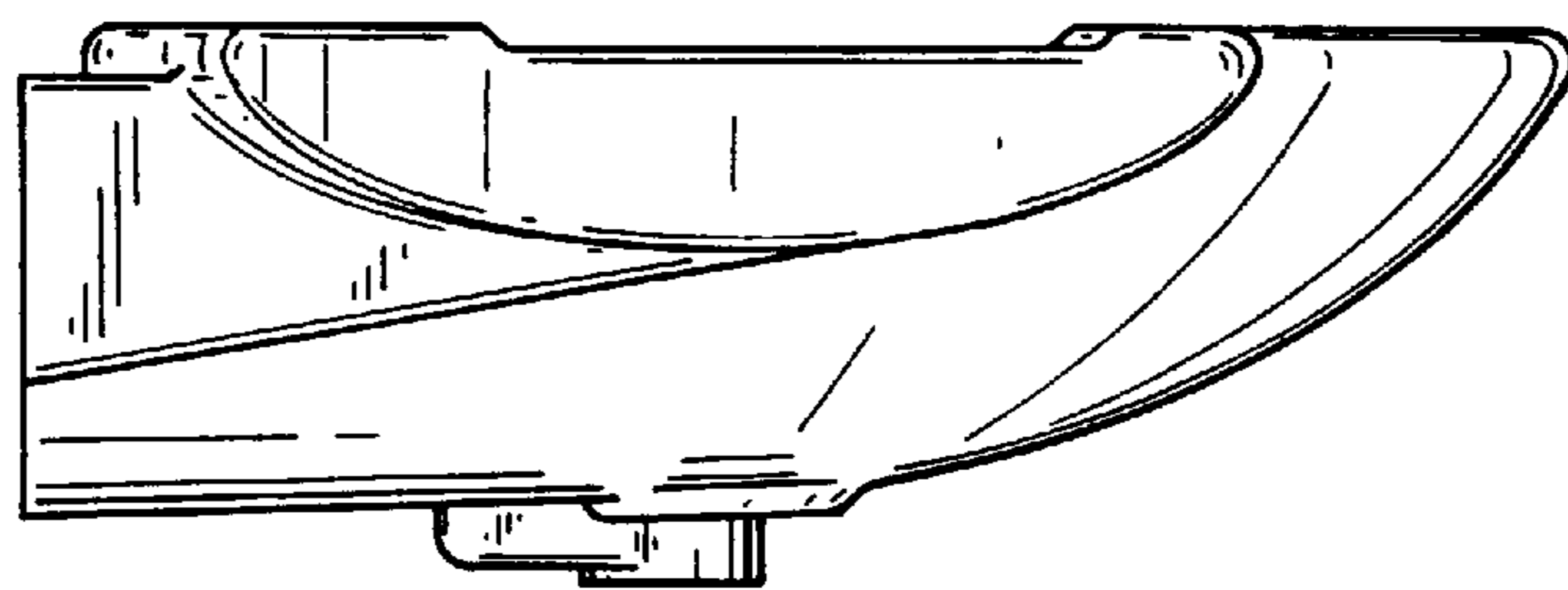


FIG. 2

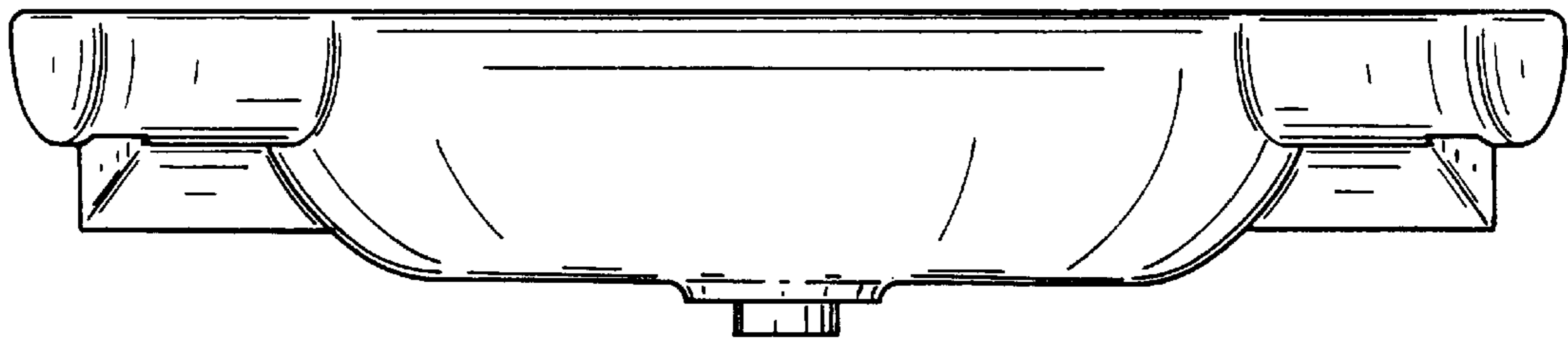


FIG. 3

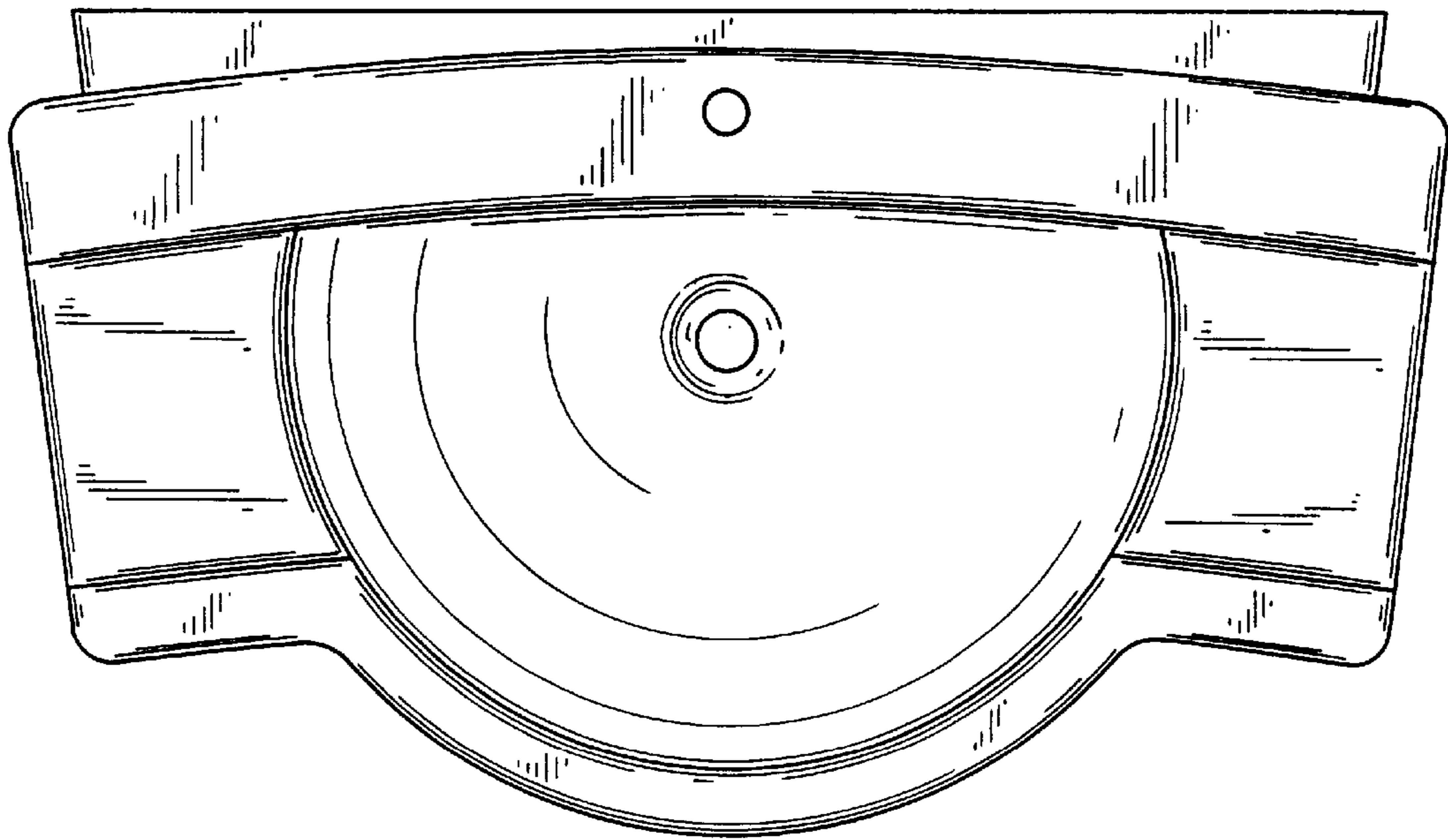


FIG. 4

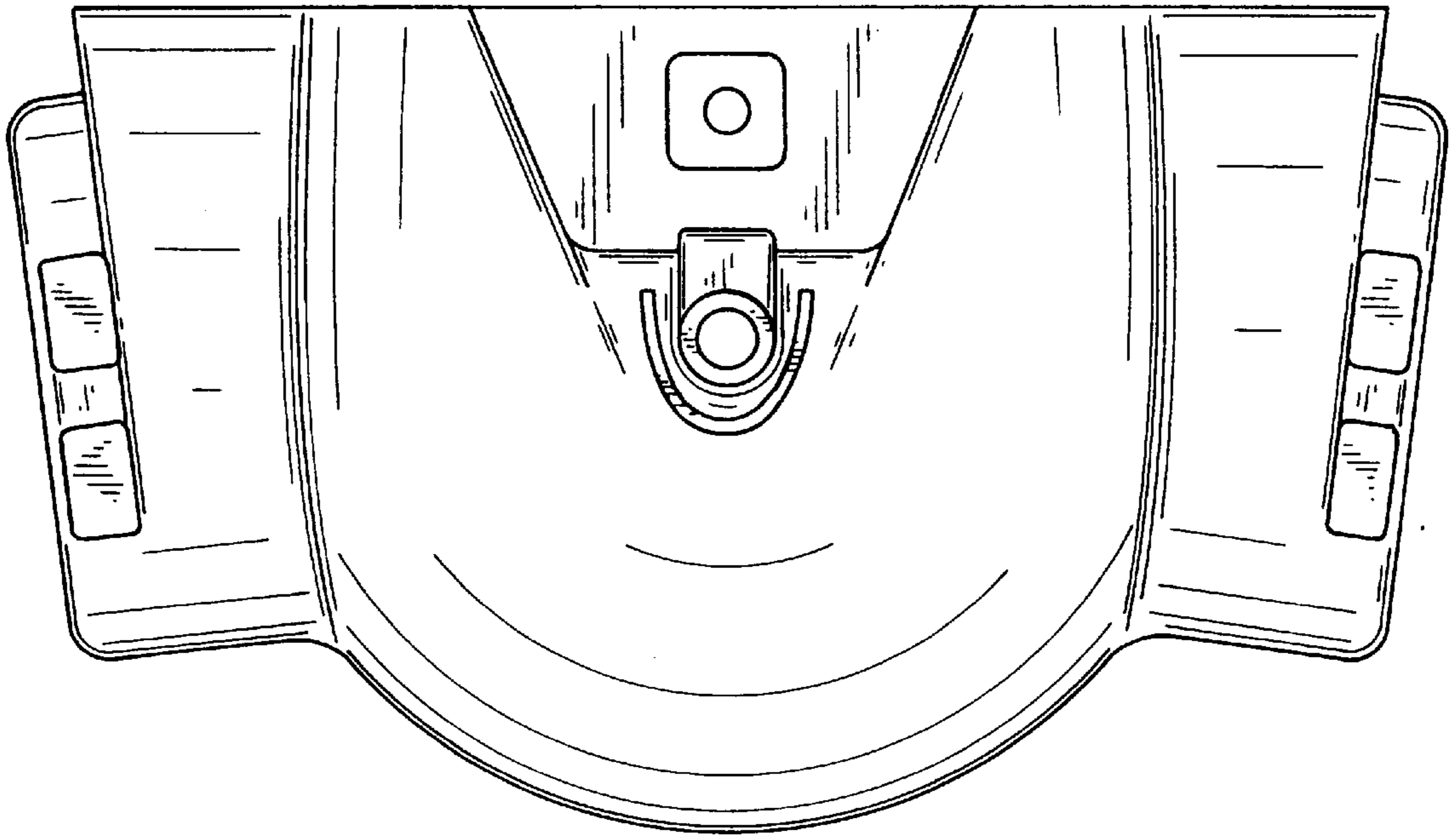


FIG. 5

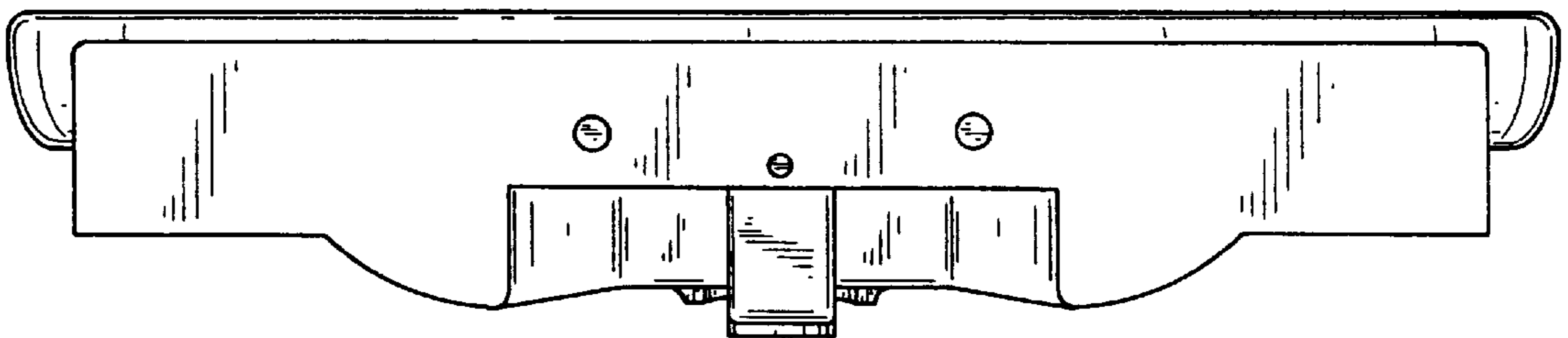


FIG. 6

FIG. 7

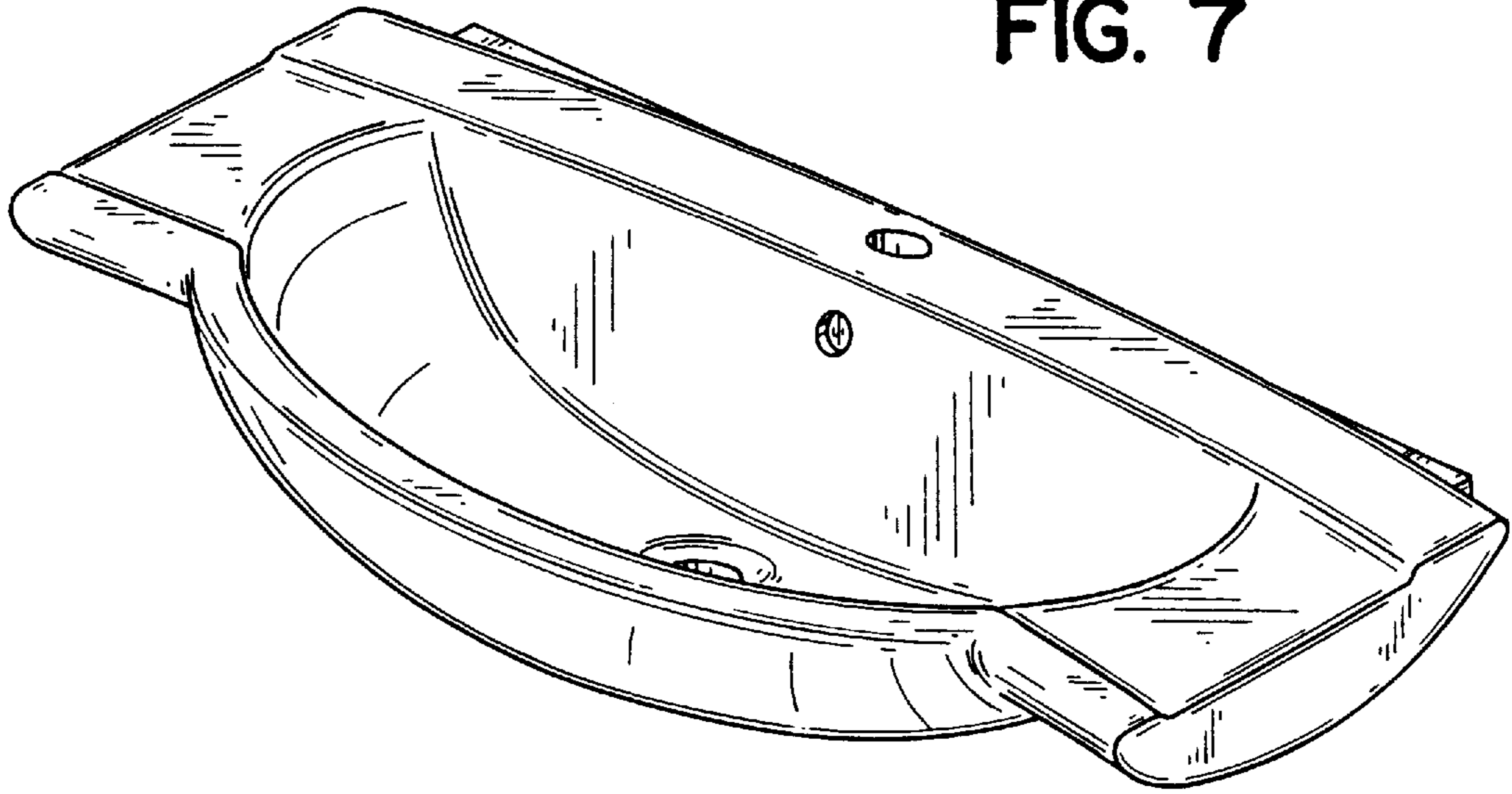
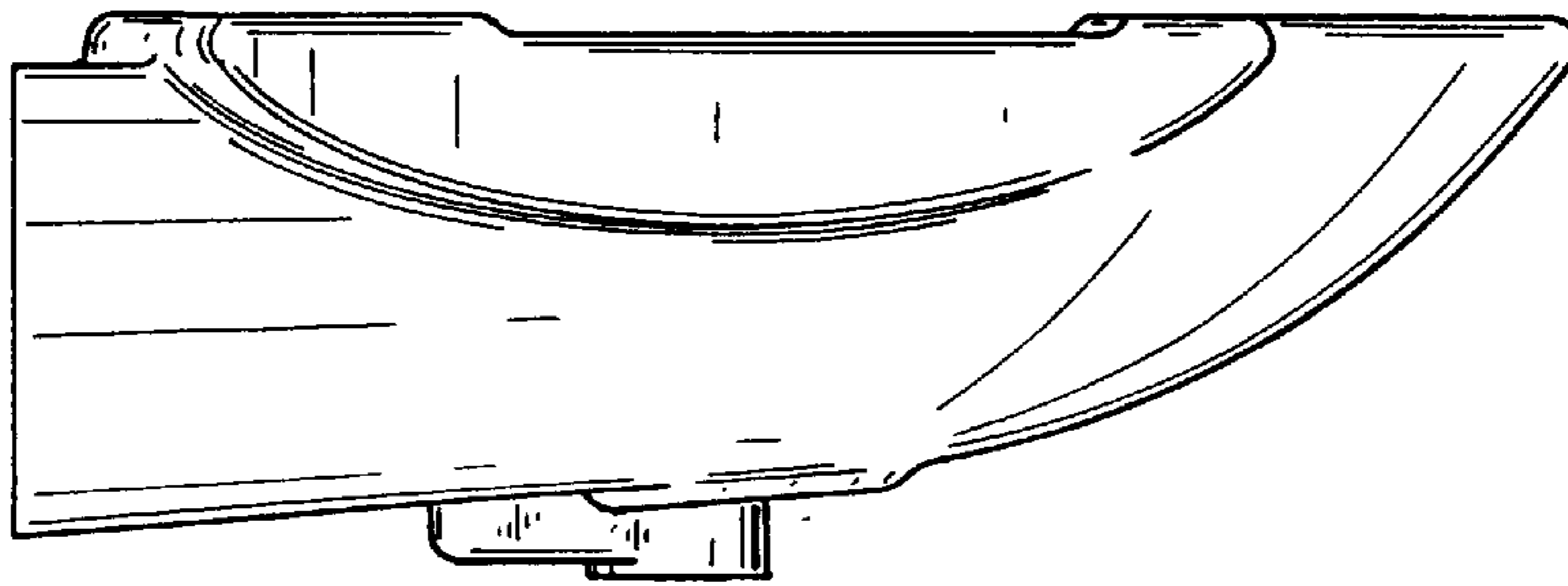


FIG. 8



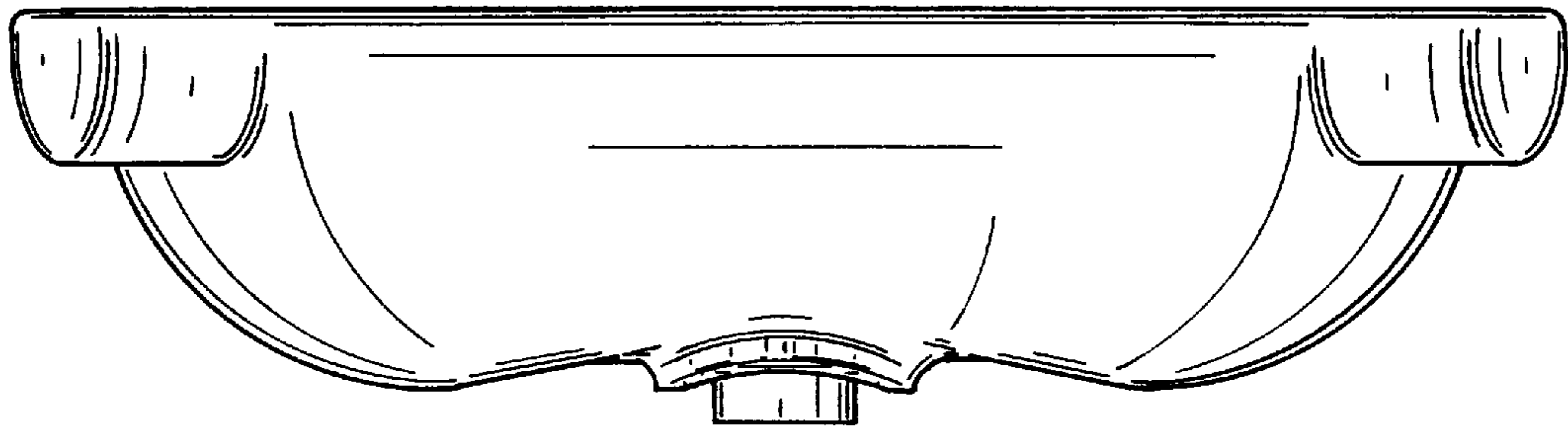


FIG. 9

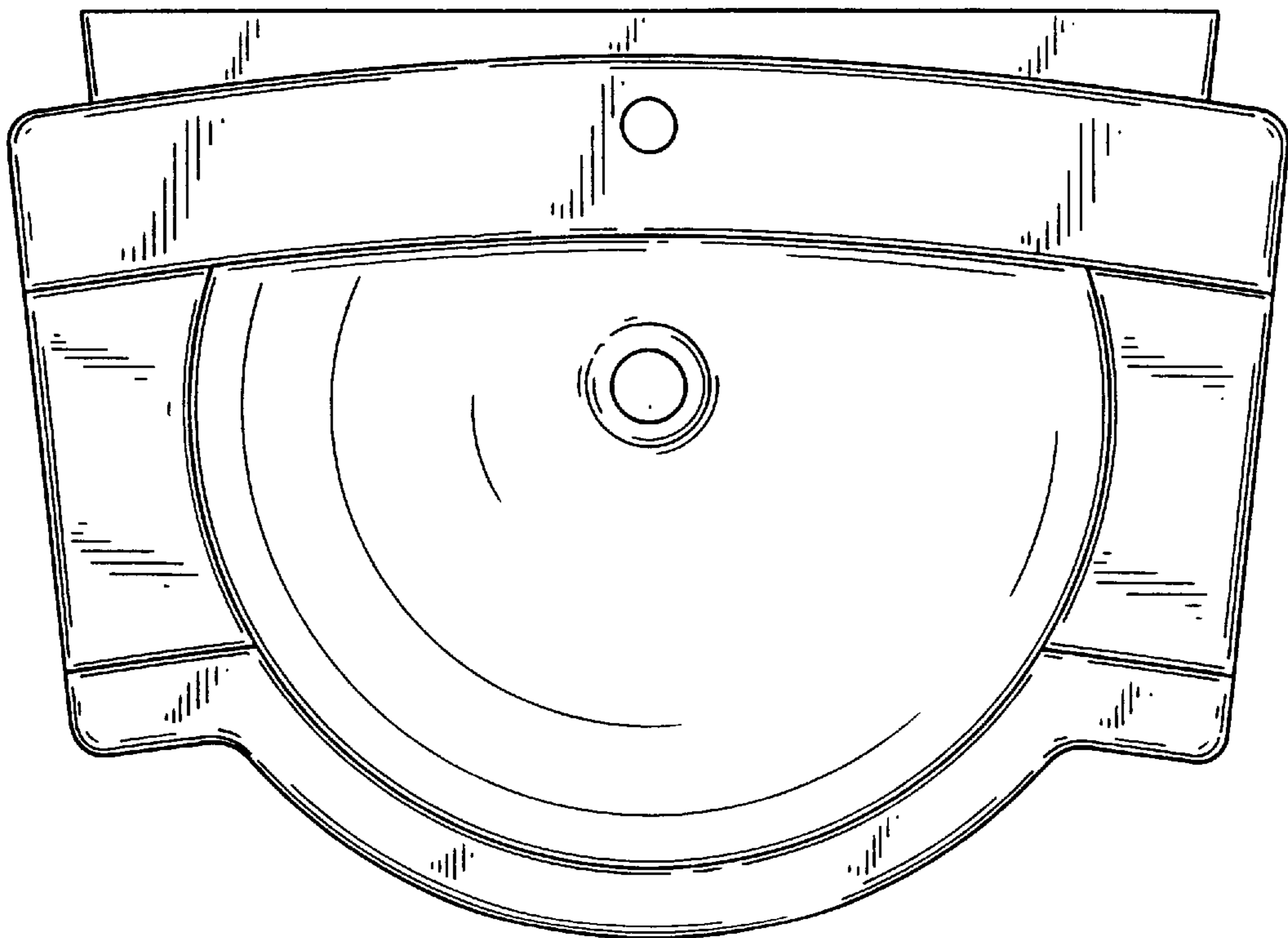


FIG. 10

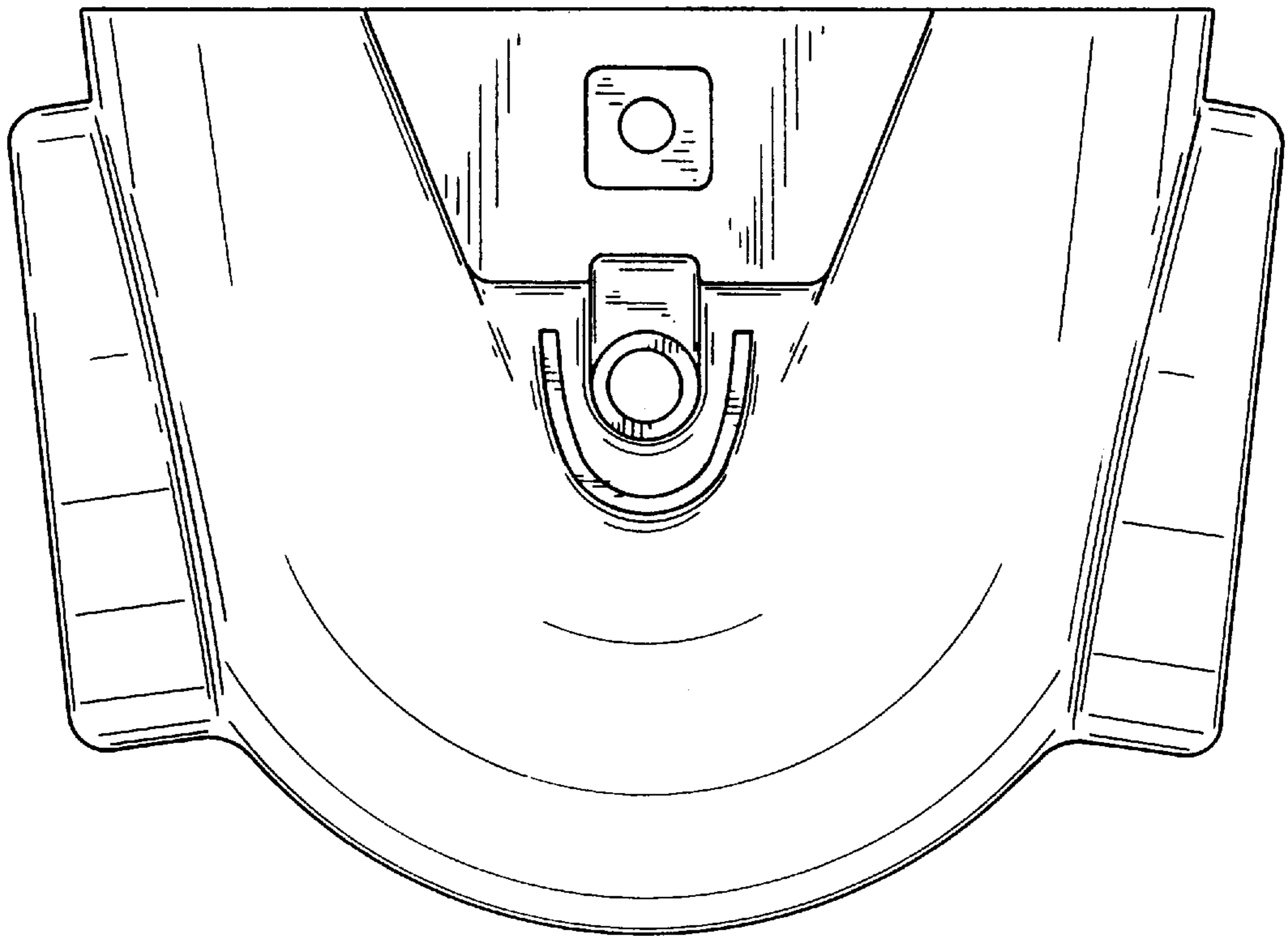


FIG. 11

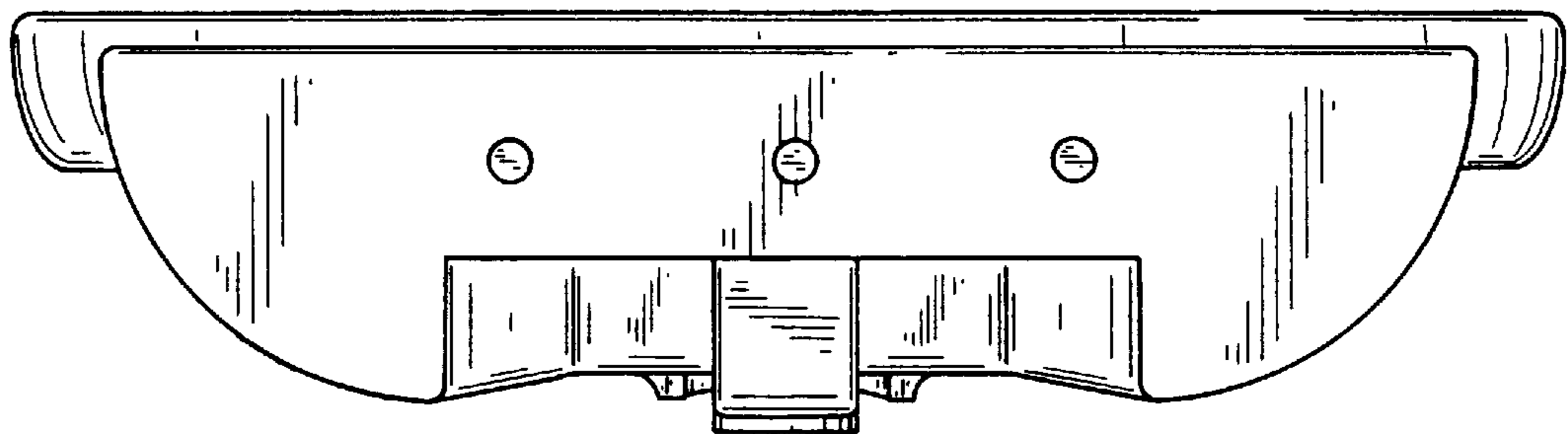


FIG. 12