

US00D400979S

United States Patent [19]

[11] **Patent Number: Des. 400,979**

D'Andrea et al.

[45] **Date of Patent: **Nov. 10, 1998**

[54] WHIRLPOOL BATHTUB

[75] Inventors: **Mario D'Andrea; Lucio Colussi**, both of Pordenone, Italy

[73] Assignee: **Domino S.p.A.**, Pordenone, Italy

[**] Term: **14 Years**

[21] Appl. No.: **51,778**

[22] Filed: **Mar. 18, 1996**

[30] Foreign Application Priority Data

Sep. 18, 1995 [IT] Italy PN9500013

[51] **LOC (6) Cl.** **23-02**

[52] **U.S. Cl.** **D23/277**

[58] **Field of Search** D23/277, 280.1-280.4; D24/204, 205; 4/538, 541.1-541.6, 546

[56] References Cited

U.S. PATENT DOCUMENTS

- D. 352,097 11/1994 Kohler, Jr. et al. D23/277
- D. 364,674 11/1995 Thomas et al. D23/280.4
- D. 375,153 10/1996 Jacuzzi D23/280.3
- D. 377,082 12/1996 Lacy D23/277
- D. 377,518 1/1997 Bainey D23/277

Primary Examiner—Louis S. Zarfes
Assistant Examiner—Eric Watterson
Attorney, Agent, or Firm—Wenderoth, Lind & Ponack

[57] CLAIM

The ornamental design for a whirlpool bathtub, as shown and described.

DESCRIPTION

FIG. 1 is a top view of the first embodiment of a bathtub according to the present invention;

FIG. 2 is a partial front view of the bathtub of FIG. 1 looking straight at the front of the bathtub and slightly downward and illustrating a design feature of the bathtub according to the first embodiment;

FIG. 3 is a perspective view of the bathtub according to the first embodiment, looking at the bathtub from the top left side thereof, and including a removable headrest;

FIG. 4 is a partial perspective view of the right end of the bathtub of the first embodiment, seen from the top left side thereof;

FIG. 5 is a front view of the bathtub according to the present invention, with the headrest illustrated on the right hand side in FIG. 4 now illustrated on the left hand side, noting that the head rest is removable;

FIG. 6 is a right end view of the bathtub according to the first embodiment;

FIG. 7 is a top view of a second embodiment of the bathtub design according to the present invention;

FIG. 8 is a perspective view of the bathtub of the second embodiment taken from the top right side thereof;

FIG. 9 is a front view of the bathtub according to the second embodiment; and,

FIG. 10 is a right hand end view of the bathtub according to the second embodiment.

The broken line showing is for illustrative purposes only and forms no part of the claimed design.

1 Claim, 9 Drawing Sheets

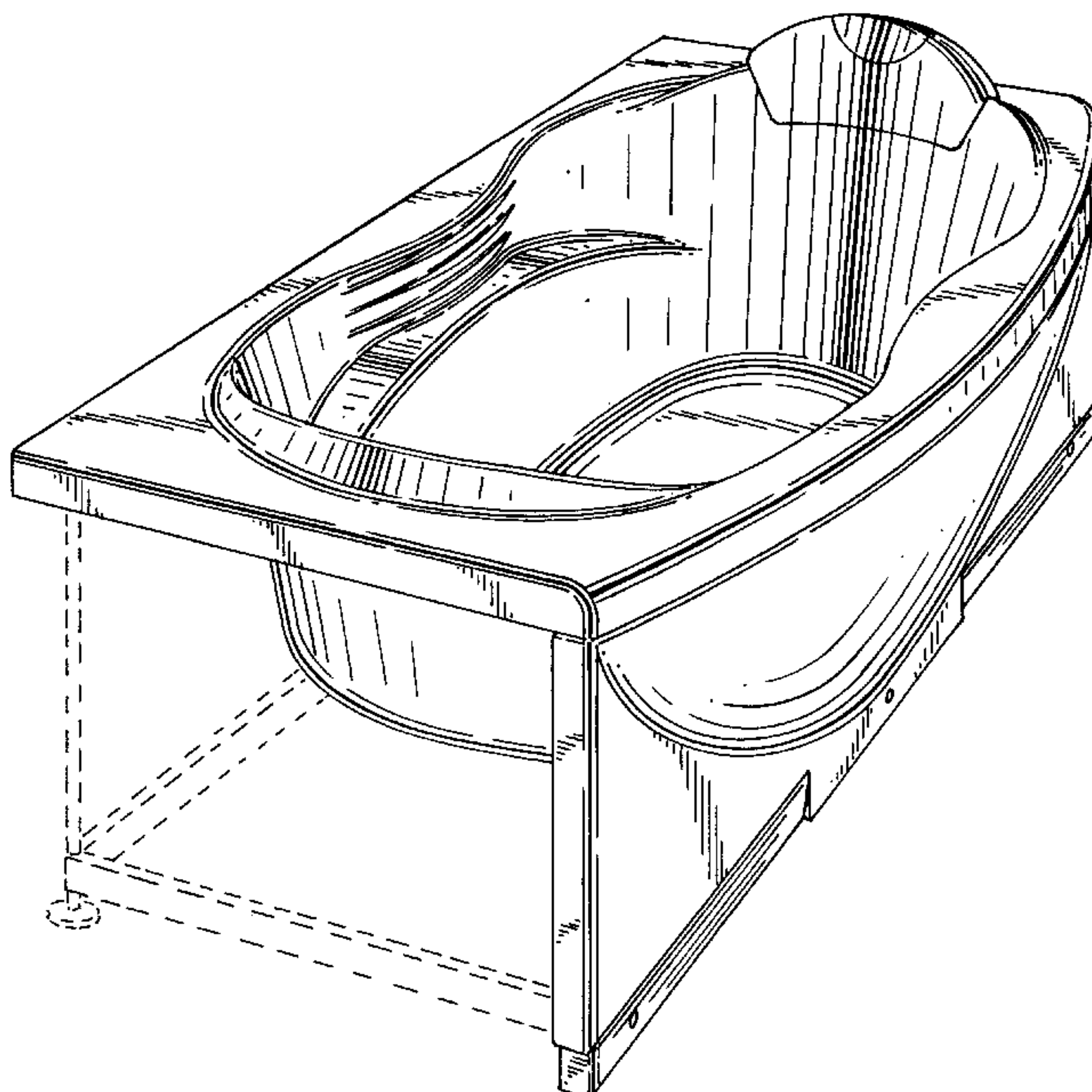


FIG. 1

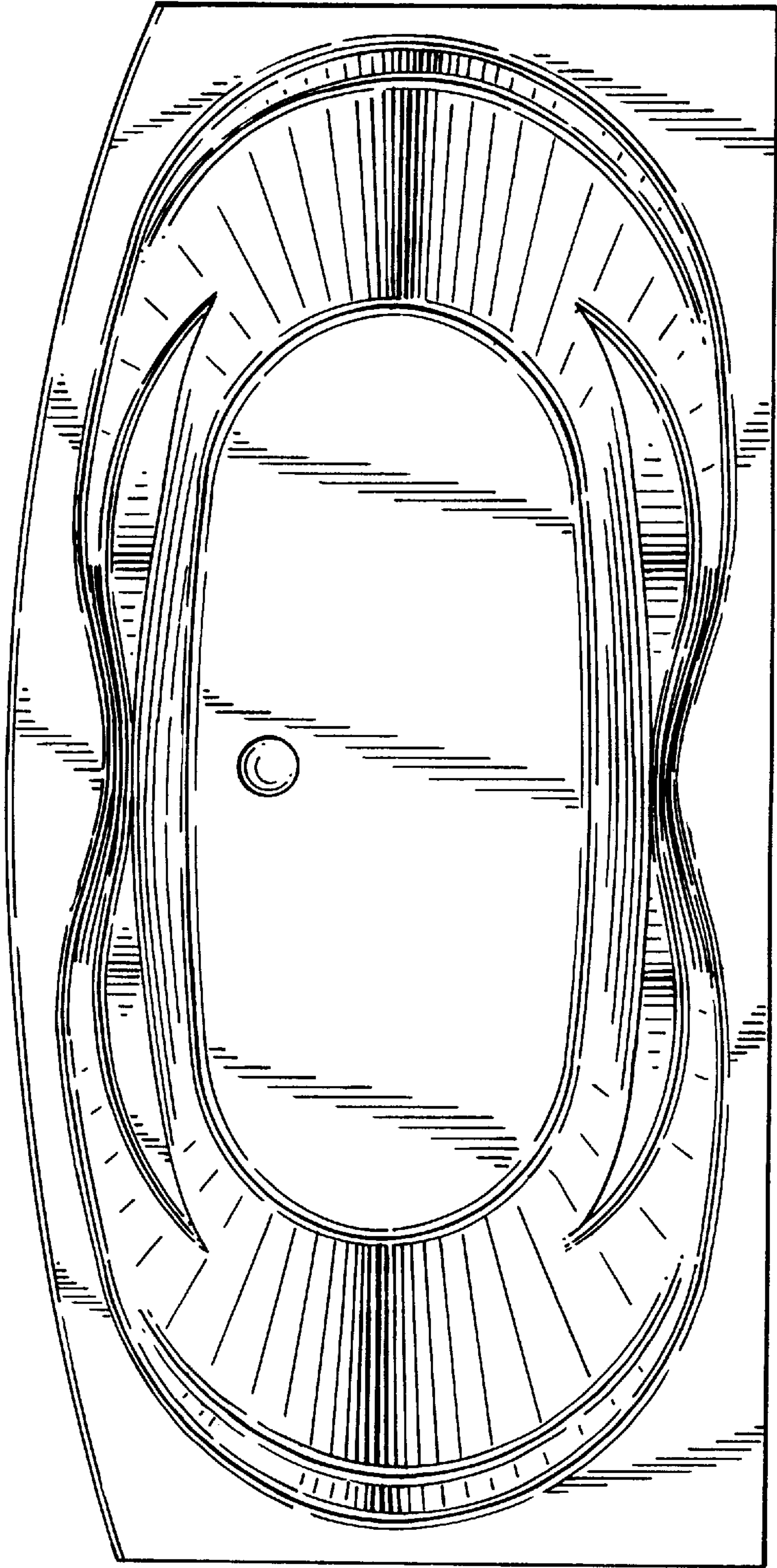


FIG. 2

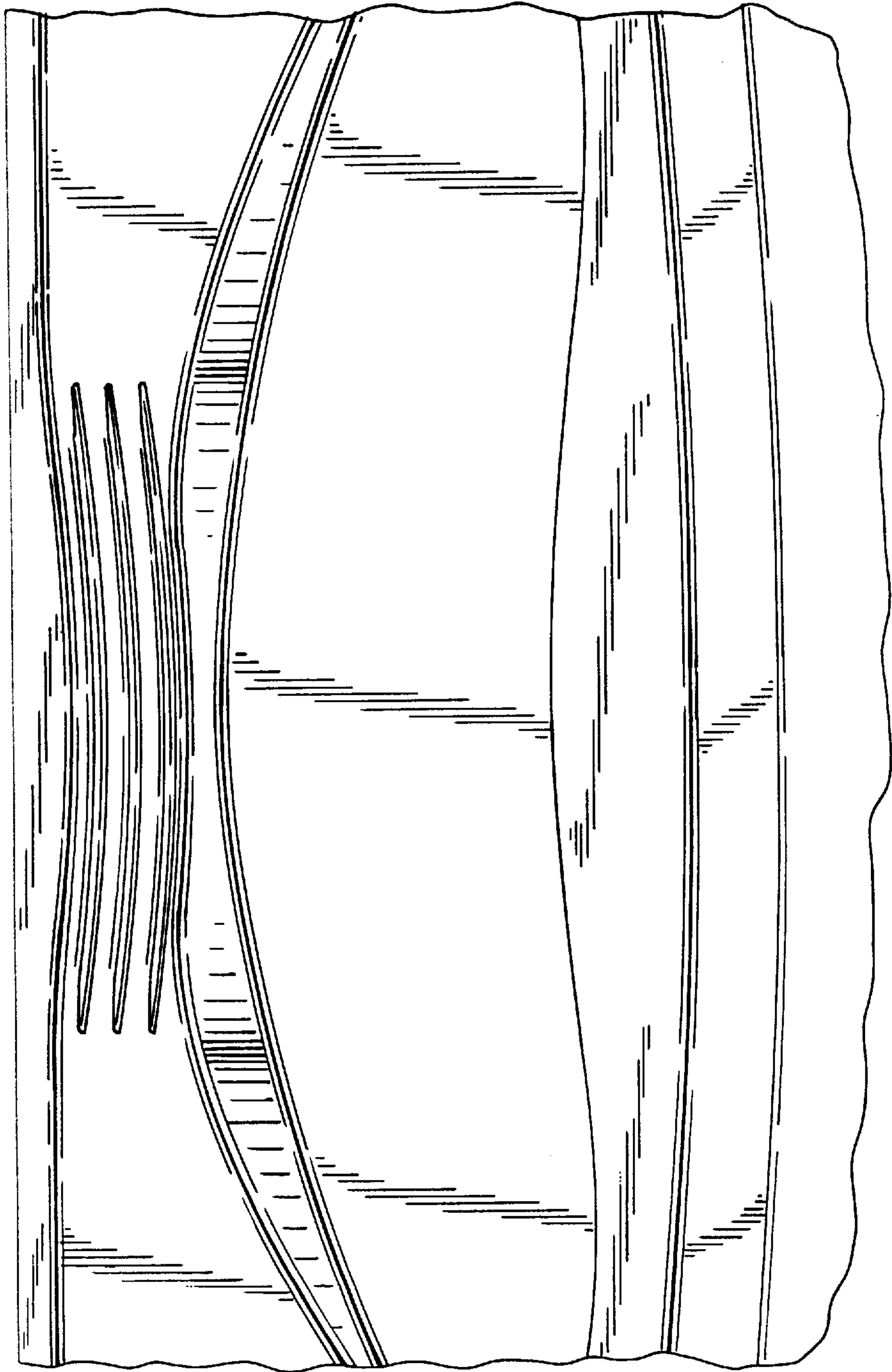


FIG. 3

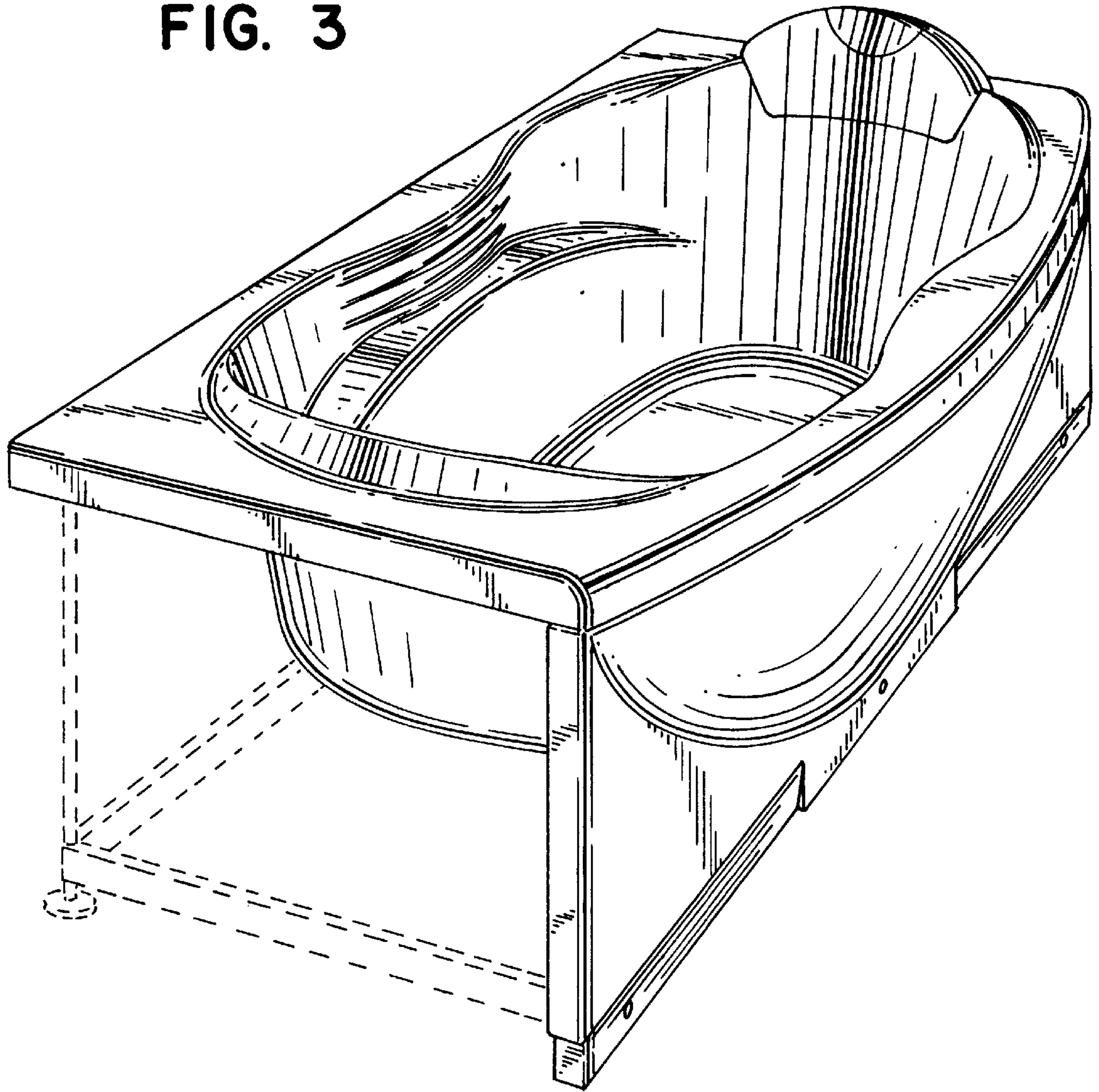


FIG. 4

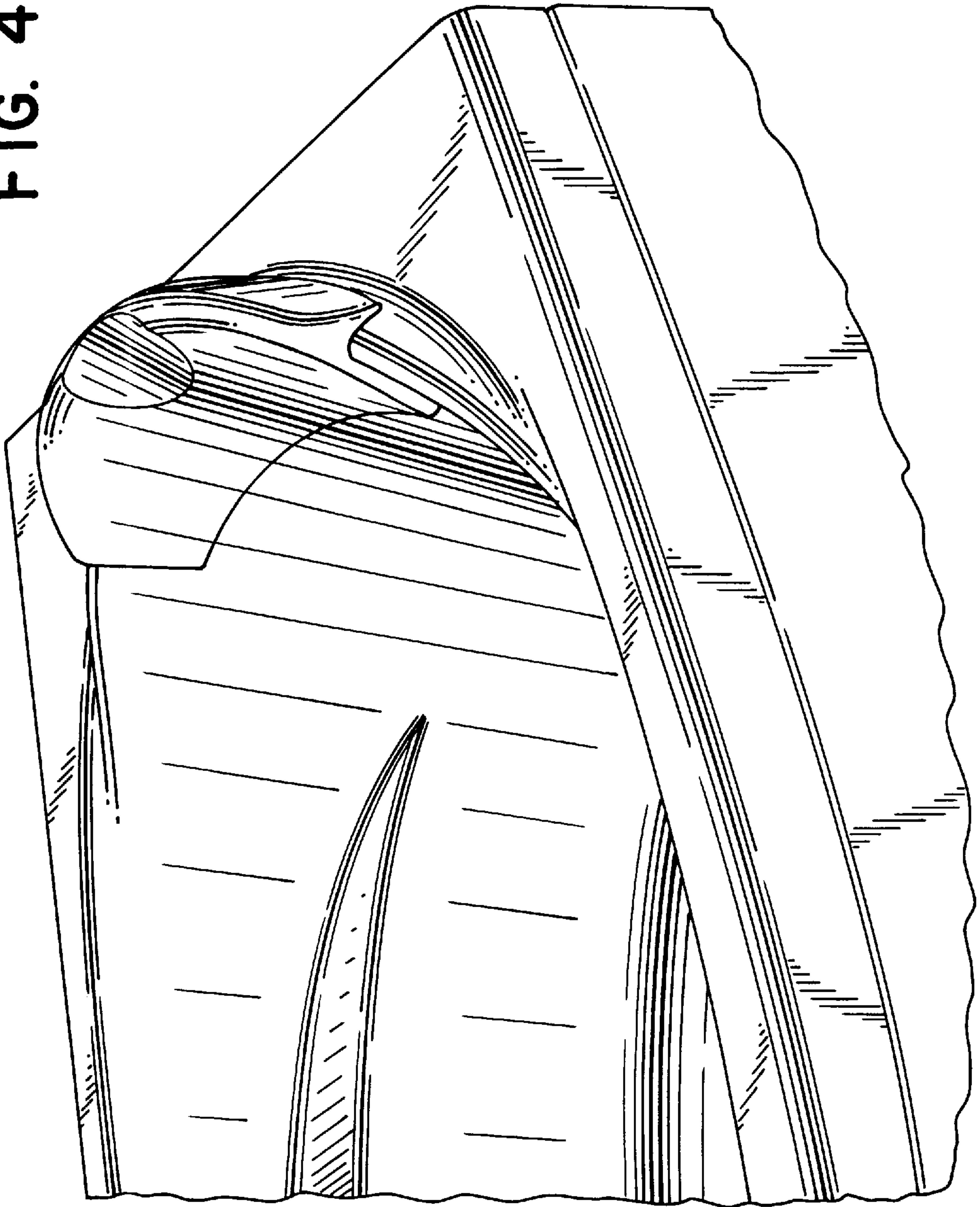


FIG. 5

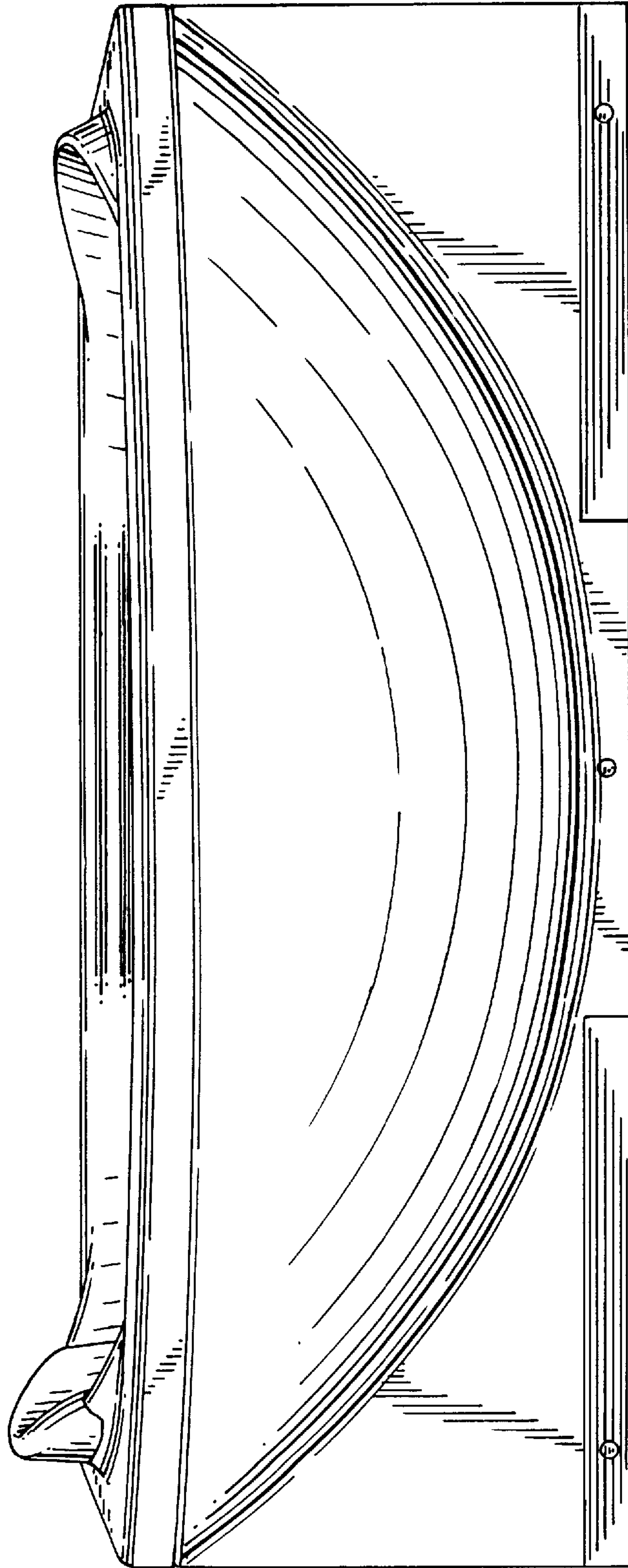


FIG. 6

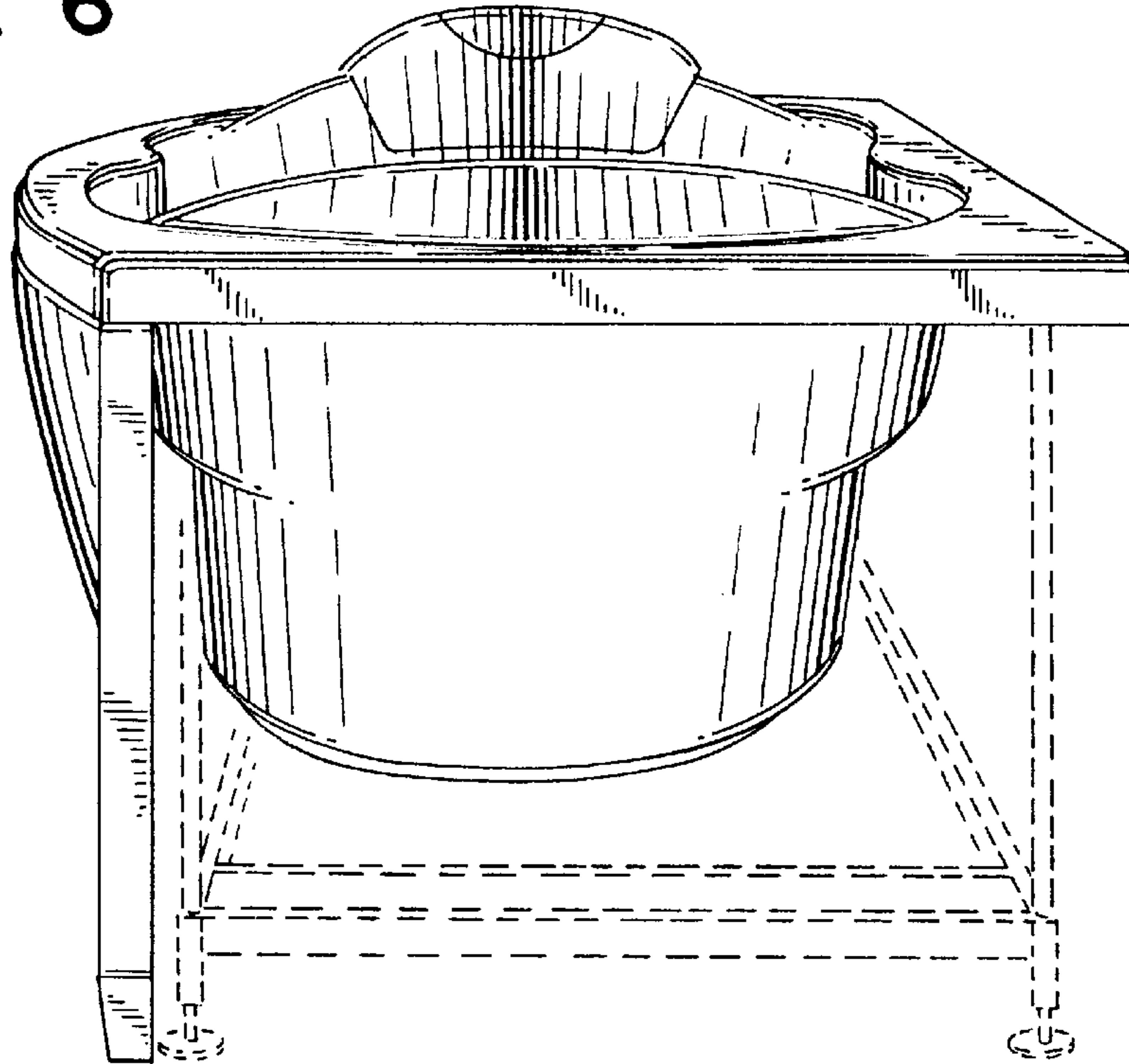


FIG. 10

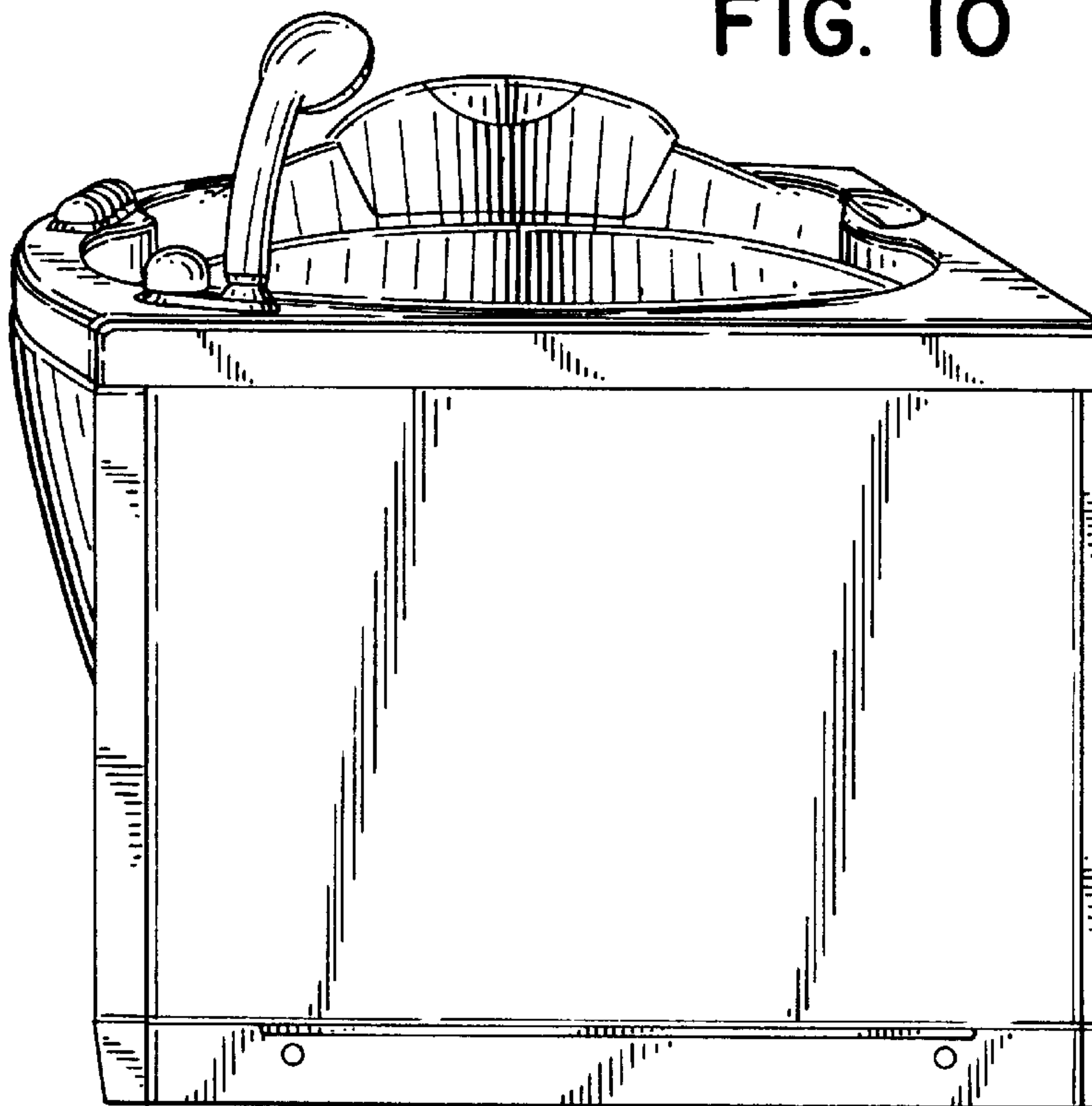


FIG. 7

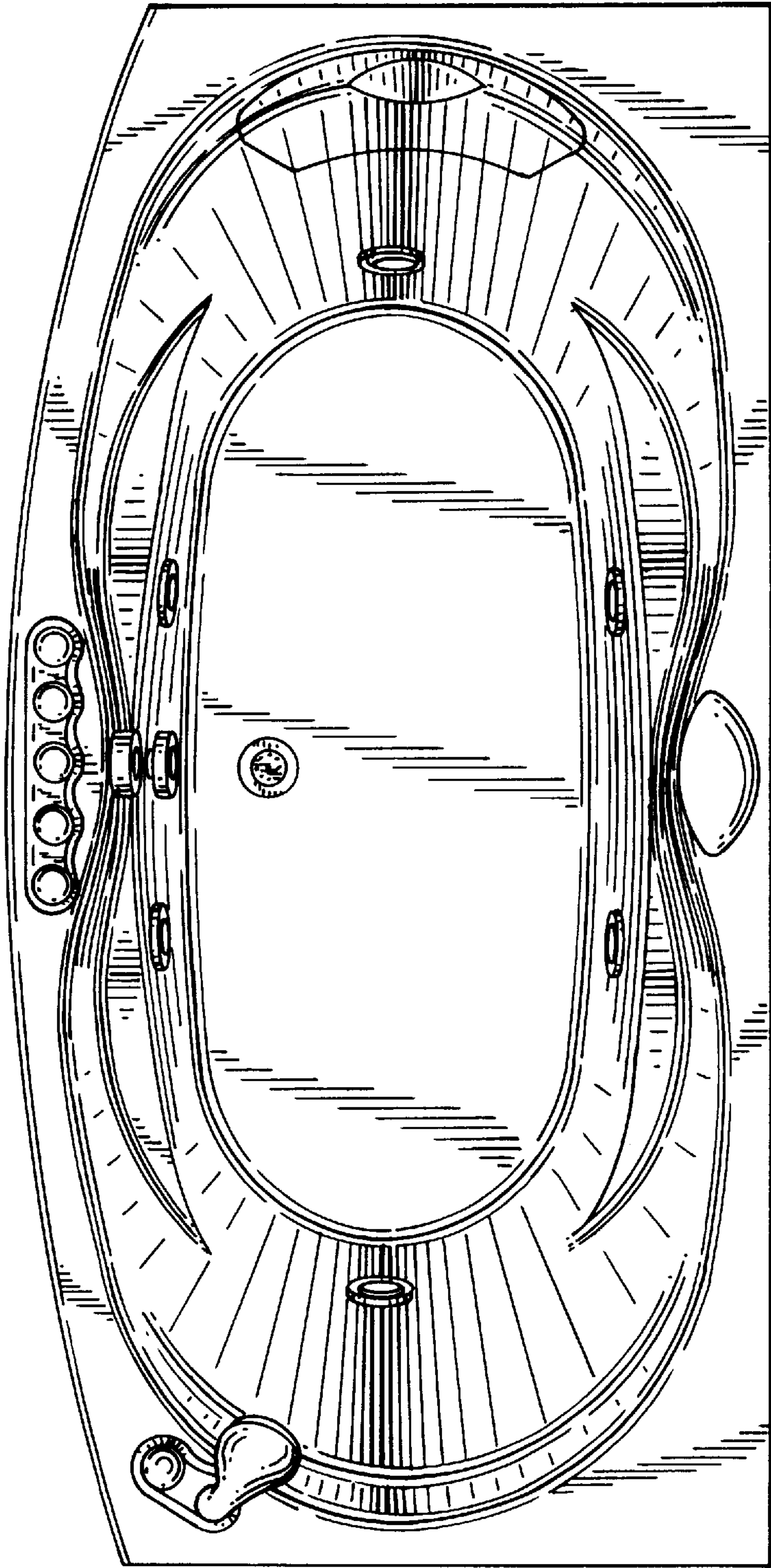


FIG. 8

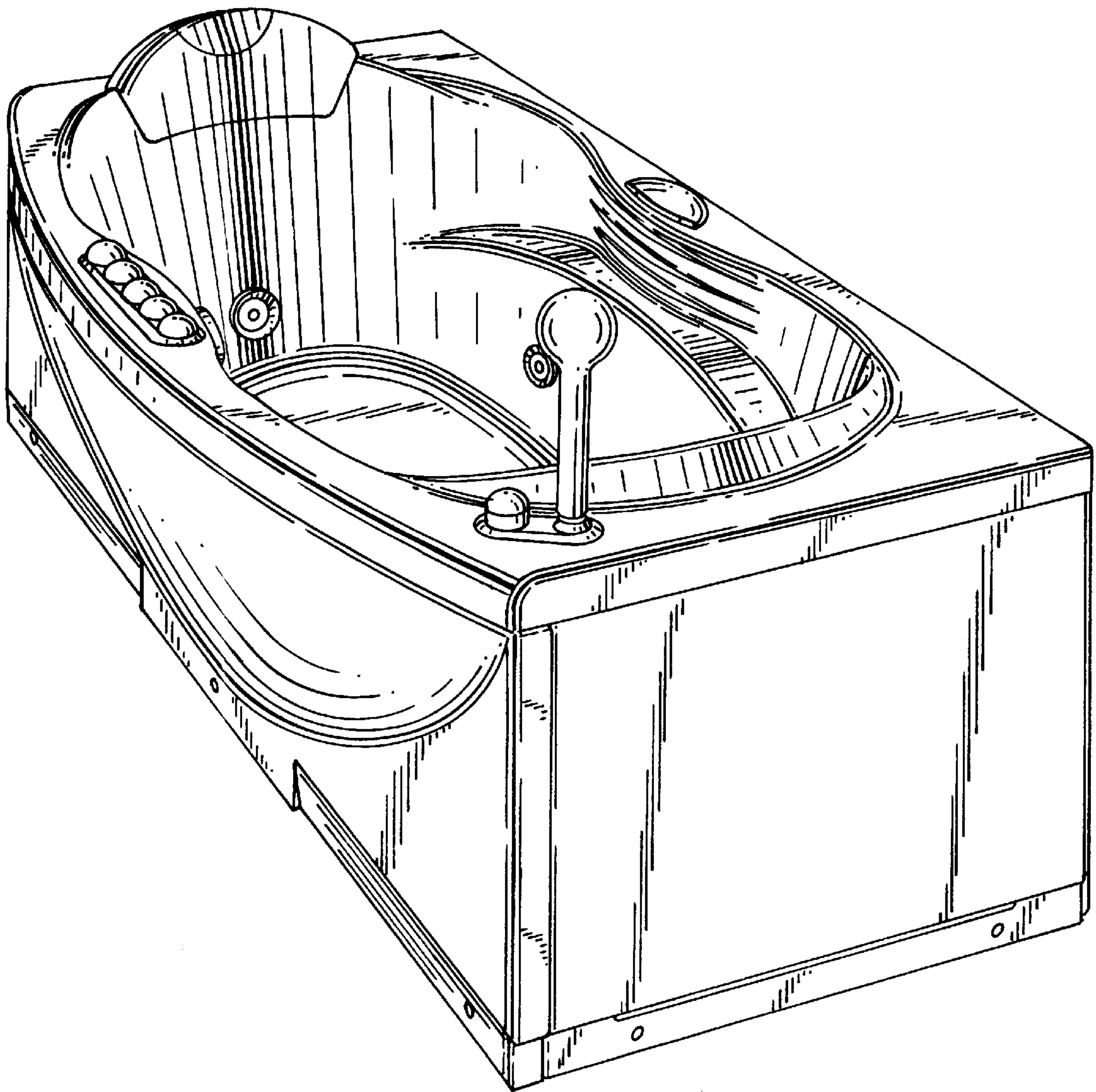


FIG. 9

