



US00D400974S

# United States Patent [19]

[11] **Patent Number: Des. 400,974**

Hall et al.

[45] **Date of Patent: \*\*Nov. 10, 1998**

[54] **STOOL-SHAPED CONTAINER, WHICH CAN HOLD SILT SOCK, SORBENT MATERIAL DISC, LOCKING AND SEALING FRAME**

[75] Inventors: **Richard H. Hall**, Midland, Mich.; **Nicolo Flor**, Oakville, Canada; **Andrew J. Stephenson**, Midland, Mich.

[73] Assignee: **Imbibitive Technologies Corp.**, Wilmington, Del.

[\*\*] Term: **14 Years**

[21] Appl. No.: **76,773**

[22] Filed: **Sep. 23, 1997**

[51] **LOC (6) Cl. .... 23-04**

[52] **U.S. Cl. .... D23/365; D23/355**

[58] **Field of Search .... D23/365, 355, D23/209; 206/204, 205, 213.1; D9/414, 307; 210/498; 96/147, 148, 151, 118, 119**

### [56] **References Cited**

#### **U.S. PATENT DOCUMENTS**

D. 246,109	10/1977	Rosaen	.....	D23/209
1,425,197	8/1922	Hamlin	.....	96/148
2,783,856	3/1957	Frause	.....	55/385.4

#### **OTHER PUBLICATIONS**

Imbibitive Technologies Corp., "Gravity Flow Drain," 1995.  
Imbibitive Technologies Corp., "Imbiber Disk Housing," 1995.

Imbibitive Technologies Corp., "Imbiber Disk," 1995.  
Imbibitive Technologies America, "Imtech U.K. Ltd. installs 1st ever (Class II) Imtech Containment Unit (I.C.U.) London Electricity /National Grid Substation, Hackney (London, U.K.) Sep. 25, 1996," reference itself published ca. Dec. 1996.

*Primary Examiner*—Lisa Lichtenstein  
*Attorney, Agent, or Firm*—Christopher John Rudy

### [57] **CLAIM**

The ornamental design for a stool-shaped container which can hold silt sock, sorbent material disc, locking, and sealing frame, as shown and described.

### **DESCRIPTION**

FIG. 1 is a top, perspective view of a stool-shaped container which can hold silt sock, sorbent material disc, locking, and sealing frame, showing our new design;

FIG. 2 is a side view thereof of a greatly reduced scale, the remaining sides appearing essentially the same;

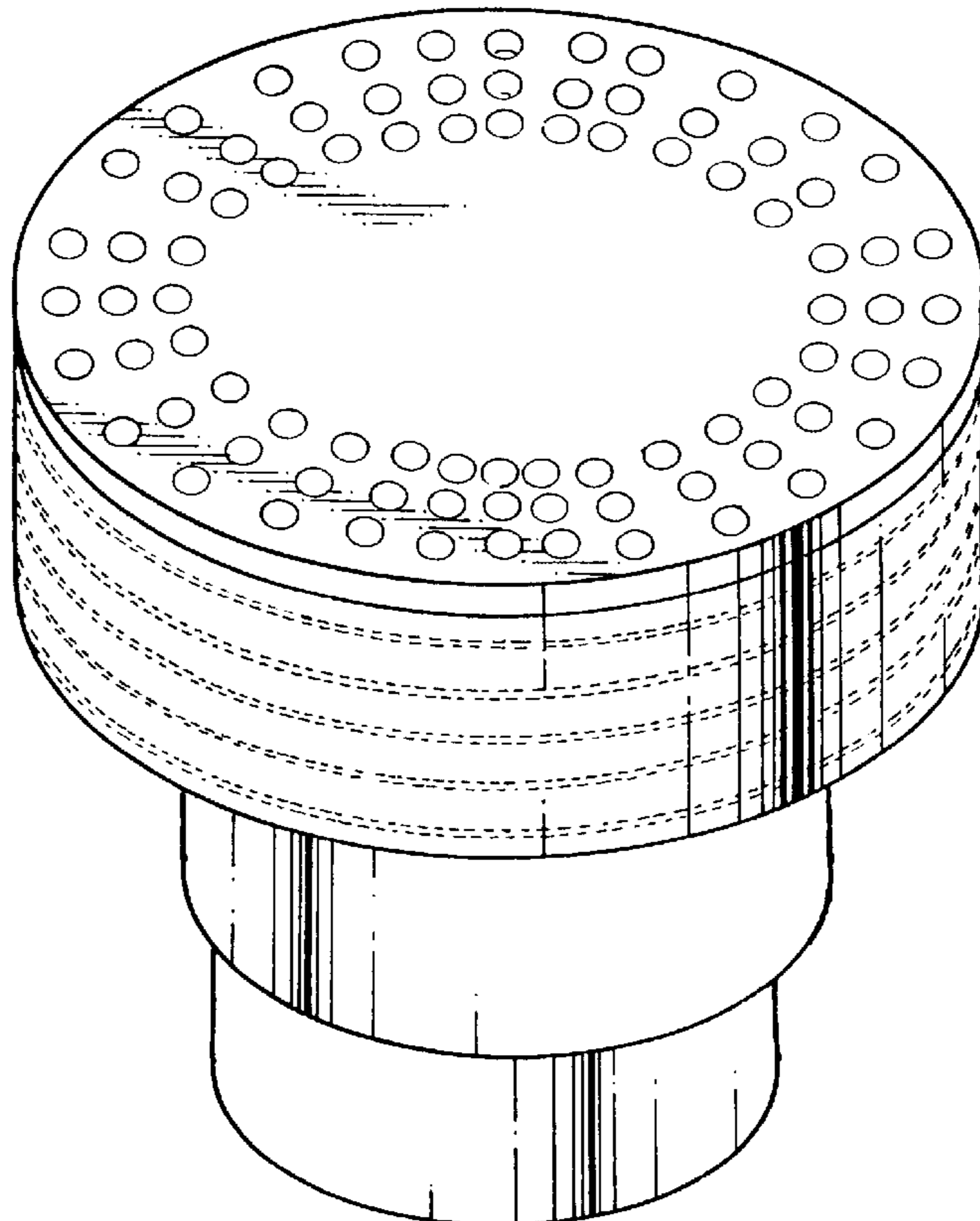
FIG. 3 is a bottom view thereof on a reduced scale;

FIG. 4 is a bottom, perspective view thereof on a reduced scale; and,

FIG. 5 is a top view thereof on a reduced scale with the top grate removed for clarity of illustration.

The broke-line showing of environmental structure in FIGS. 1, 2, 3, and 5 is for illustrative purpose only and forms no part of the claimed design.

**1 Claim, 2 Drawing Sheets**



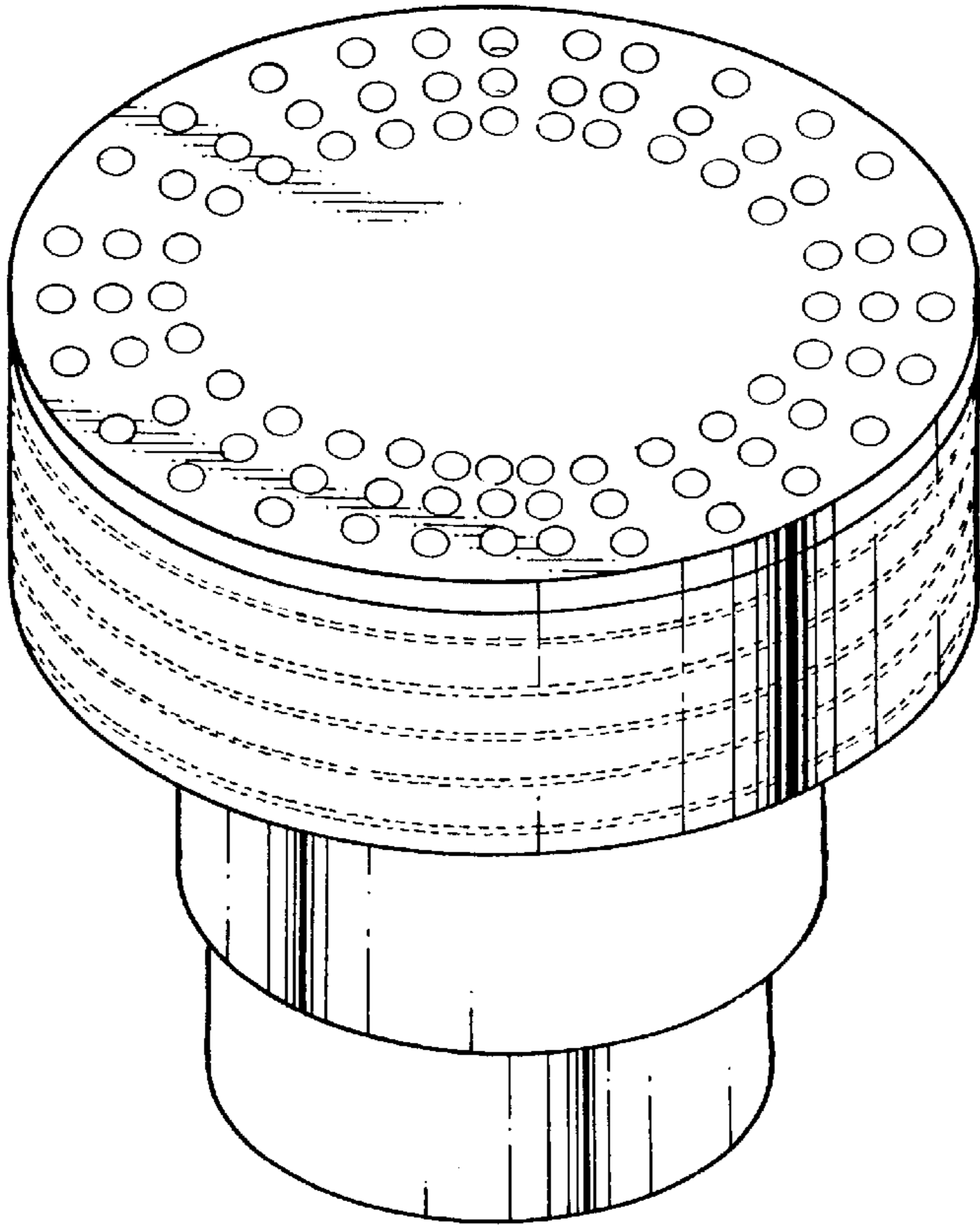


Fig. 1

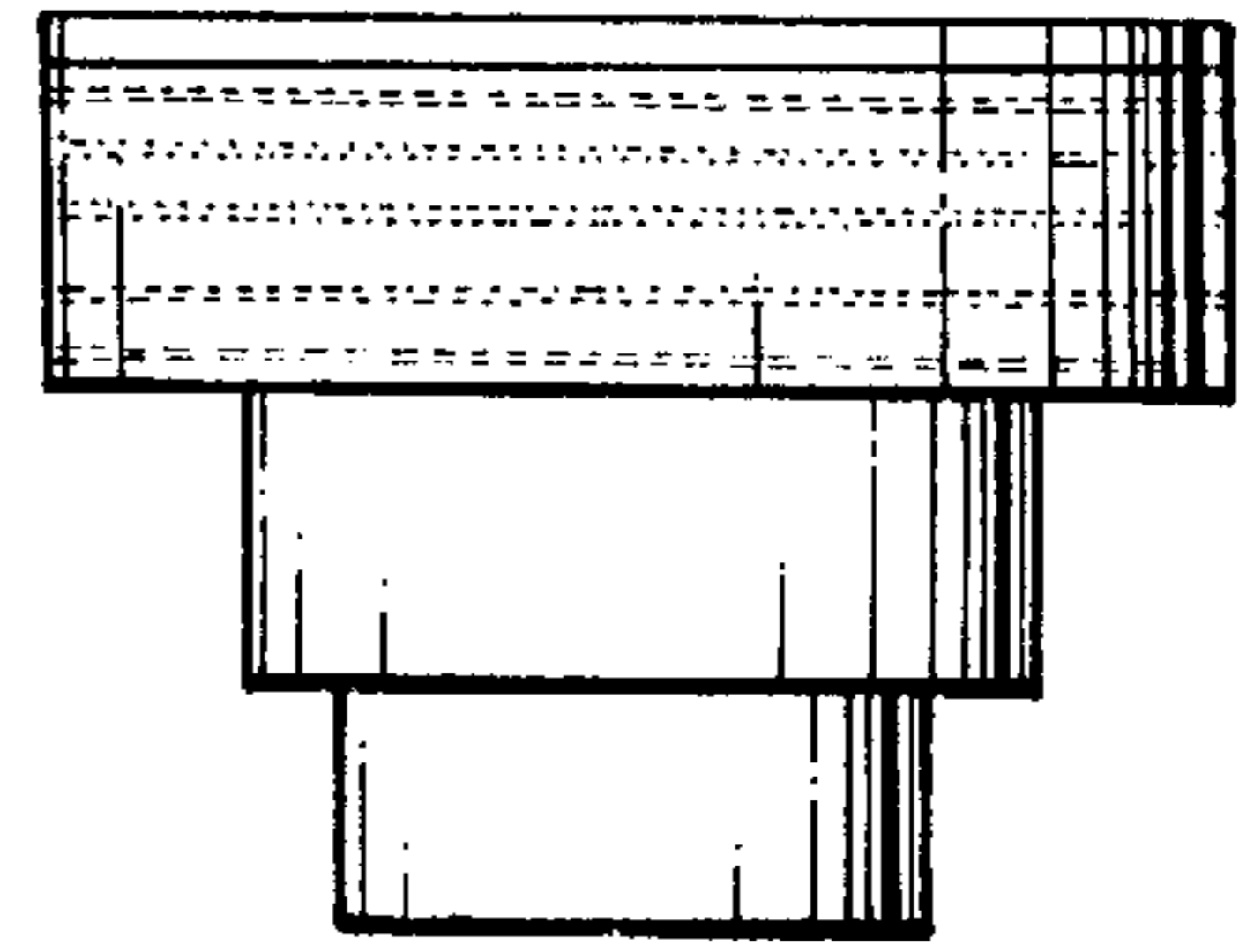


Fig. 2

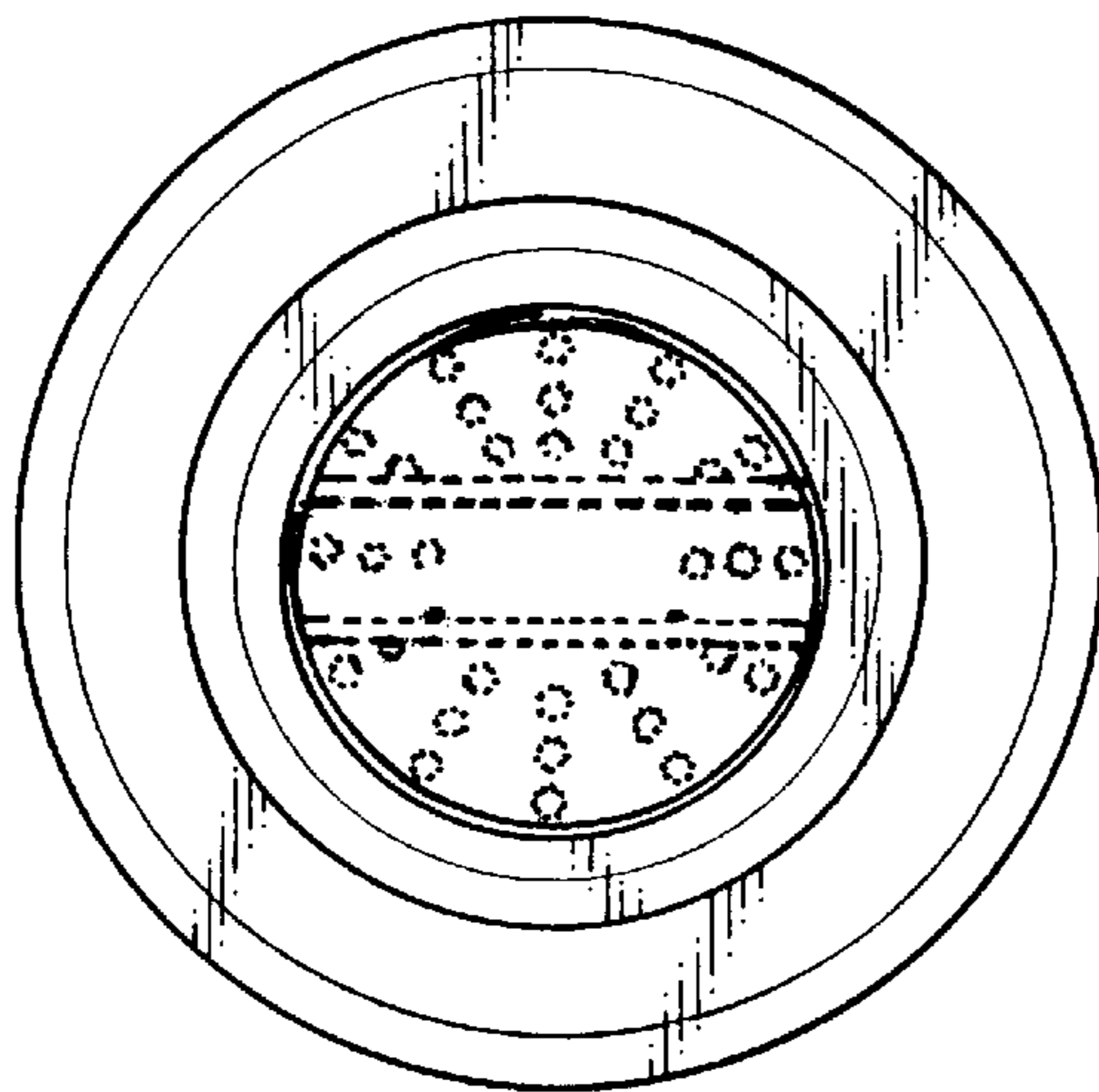


Fig. 3

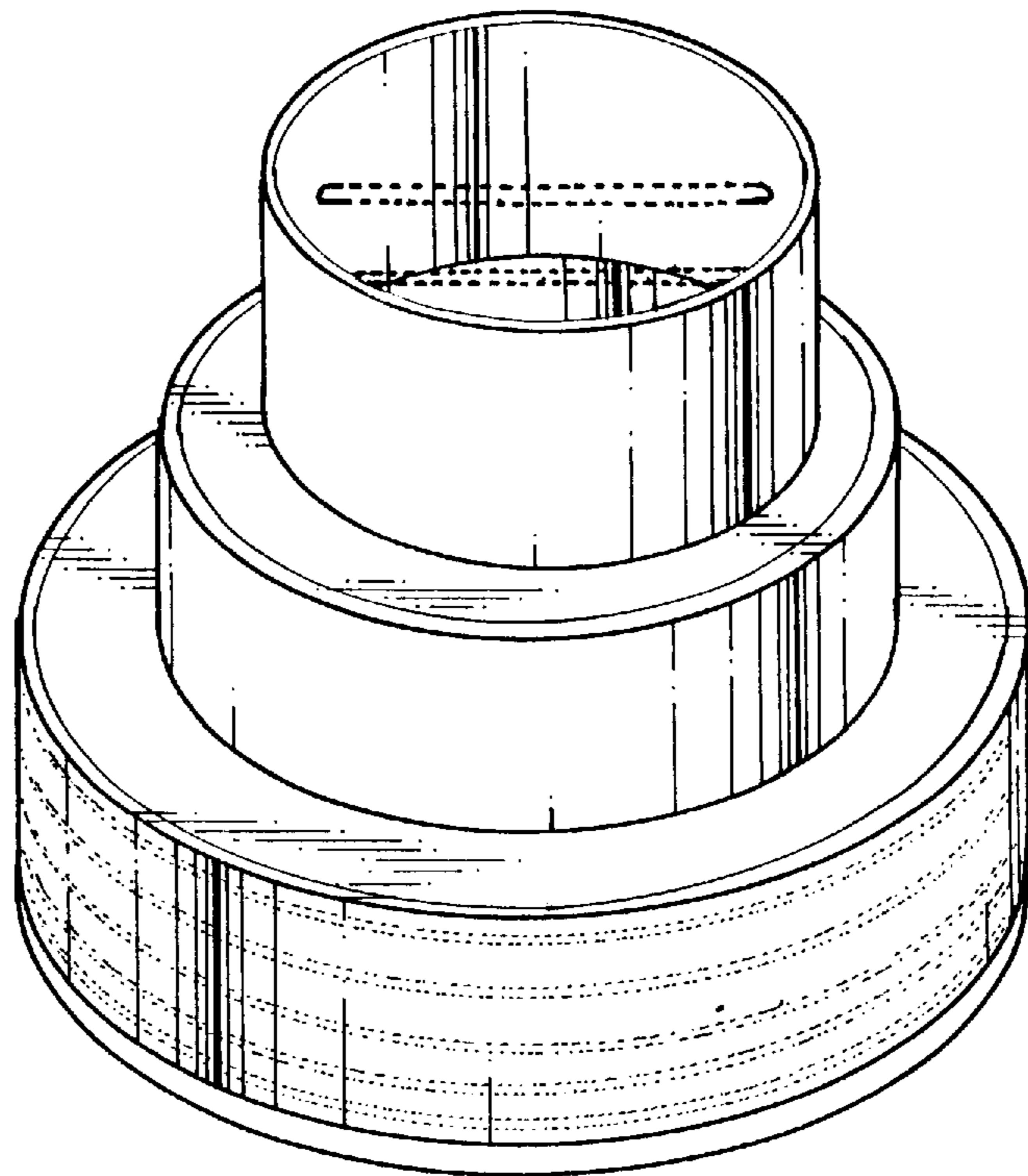


Fig. 4

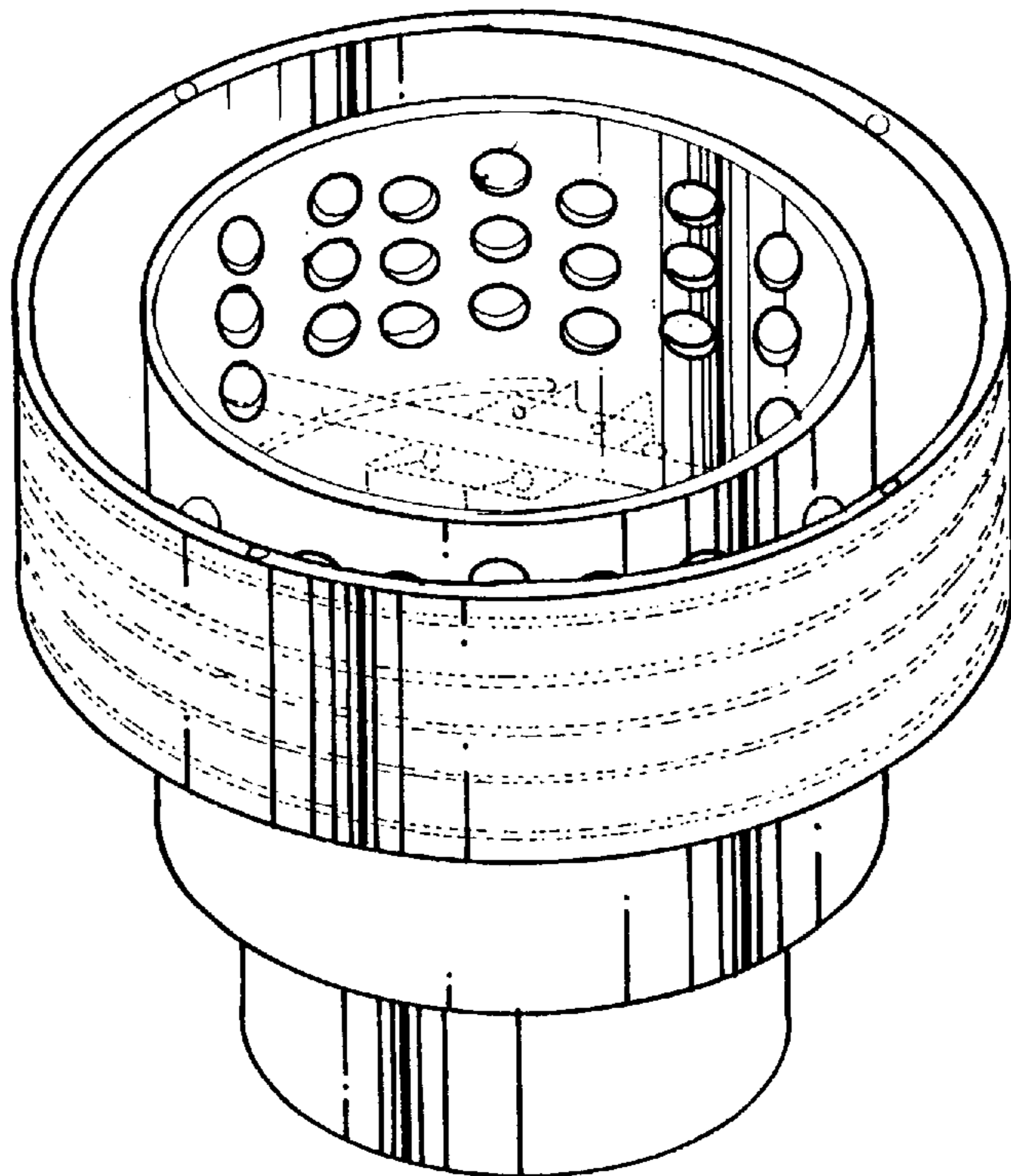


Fig. 5