

US00D400969S

# United States Patent [19] Lord

[11] **Patent Number: Des. 400,969**

[45] **Date of Patent: \*\*Nov. 10, 1998**

## [54] SINGLE HANDLE FAUCET

[75] Inventor: **Judd A. Lord**, Carmel, Ind.

[73] Assignee: **Masco Corporation of Indiana**, Indianapolis, Ind.

[\*\*] Term: **14 Years**

[21] Appl. No.: **80,016**

[22] Filed: **Dec. 4, 1997**

[51] **LOC (6) Cl.** ..... **23-01**

[52] **U.S. Cl.** ..... **D23/241**

[58] **Field of Search** ..... D23/238-243,  
D23/250-257; 4/675-678; 137/801

## [56] **References Cited**

### U.S. PATENT DOCUMENTS

- D. 140,557 3/1945 Stanitz .
- D. 193,885 10/1962 Andrews .
- D. 197,000 11/1963 Landell .
- D. 203,246 12/1965 Harvey et al. .
- D. 213,874 4/1969 Landell .
- D. 219,779 1/1971 Tiller .
- D. 235,546 6/1975 Landell ..... D23/241
- D. 253,799 1/1980 Saporito et al. .
- D. 293,362 12/1987 Hill et al. .... D23/241
- D. 296,461 6/1988 Yost ..... D23/241
- D. 297,357 8/1988 Spangler .
- D. 297,358 8/1988 Hill .
- D. 363,534 10/1995 Hill et al. .
- D. 363,535 10/1995 Hill et al. .
- D. 364,211 11/1995 Hill et al. .
- D. 364,212 11/1995 Hill et al. .
- D. 365,142 12/1995 Hill et al. .
- D. 367,697 3/1996 Haug et al. .
- D. 367,698 3/1996 Haug et al. .
- D. 367,917 3/1996 Haug et al. .
- D. 367,918 3/1996 Haug et al. .
- D. 368,956 4/1996 Haug et al. .
- D. 380,252 6/1997 Abel ..... D23/241
- D. 381,404 7/1997 Doughty et al. .... D23/241
- D. 387,416 12/1997 Chin ..... D23/241
- 3,035,612 5/1962 Lyon .
- 3,202,181 8/1965 West .
- 4,804,010 2/1989 Meissenburg .

## OTHER PUBLICATIONS

- Sweet's Catalog File (1980). Kohler pp. 3-36 (admitted prior art).
- Delta Full Line Catalog—The Way Water is Brought to Life (1992).
- Delta Full Line Price List (admitted prior art).
- Euroexclusive: Euromodular (1987).
- Delta HDF Catalog (Commercial Products) (1987).
- Best (admitted prior art).
- Moen—Enduring Elegance (admitted prior art).
- Delta Full Line Catalog—Living with Classics (admitted prior art).
- Moen—Fifty Years of Faucet Innovation (admitted prior art).

*Primary Examiner*—Louis S. Zarfes  
*Assistant Examiner*—Eric Watterson  
*Attorney, Agent, or Firm*—Myron B. Kapustij; Malcolm L. Sutherland

## [57] **CLAIM**

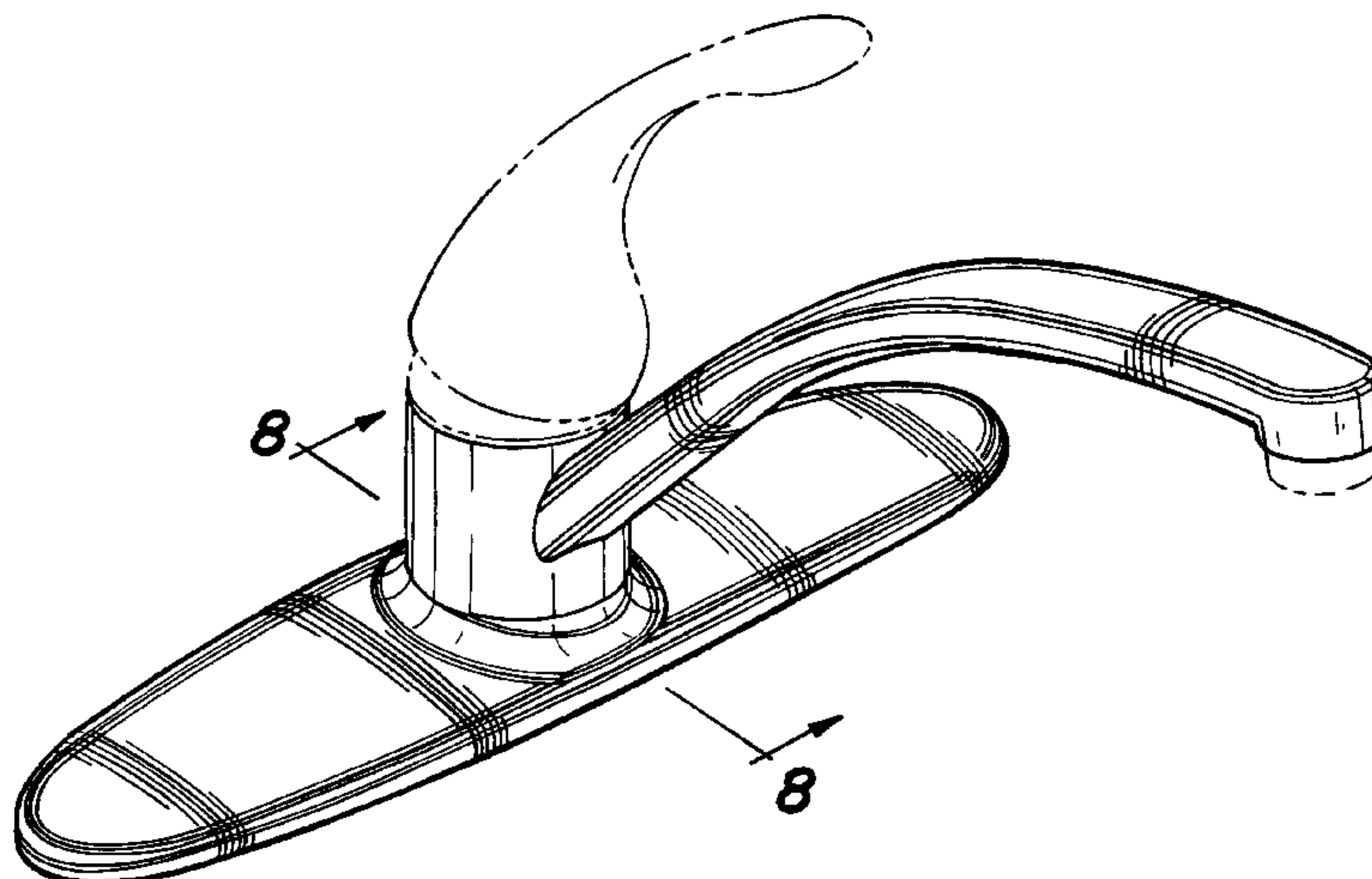
The ornamental design for a single handle faucet, as shown and described.

## **DESCRIPTION**

FIG. 1 is a front perspective view of a single handle faucet showing my new design;  
 FIG. 2 is a rear perspective view thereof;  
 FIG. 3 is a top plan view thereof;  
 FIG. 4 is a front elevational view thereof;  
 FIG. 5 is a right side elevational view thereof, the left side being a mirror image;  
 FIG. 6 is a rear elevational view thereof;  
 FIG. 7 is a bottom plan view thereof;  
 FIG. 8 is a cross-sectional view taken along line 8—8 in FIG. 1;  
 FIG. 9 is a cross-sectional view taken along line 9—9 in FIG. 2; and,  
 FIG. 10 is a cross-sectional view taken along line 10—10 in FIG. 2.

The broken line showings of the aerator in FIGS. 1-2, 4-5 and 7, of the handle in FIGS. 1-2, 4-5 and 7, and of the bonnet nut in FIGS. 1-2 and 4-5 are for purposes of illustration only and form no part of the claimed design.

**1 Claim, 4 Drawing Sheets**



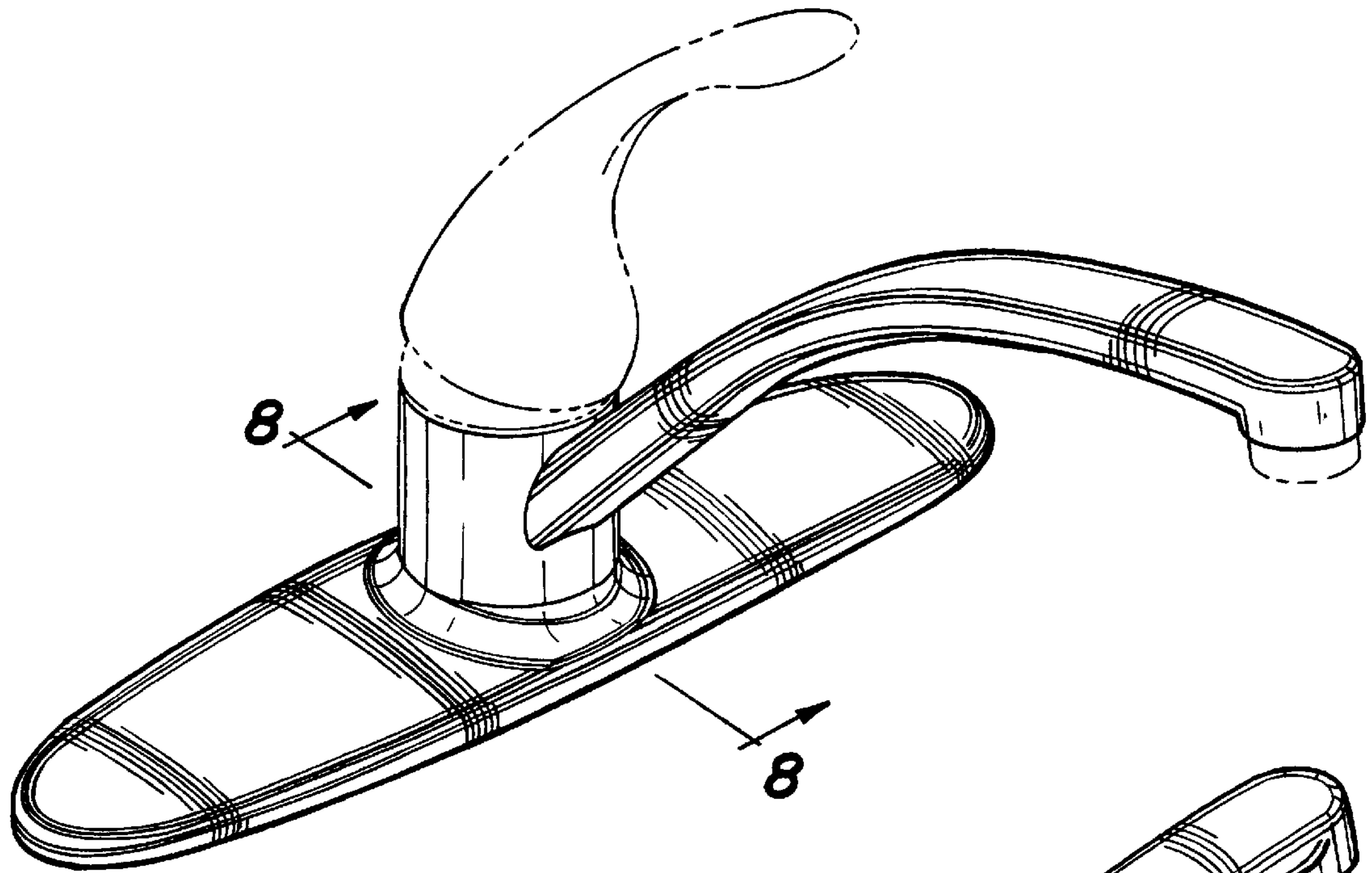


Fig-1

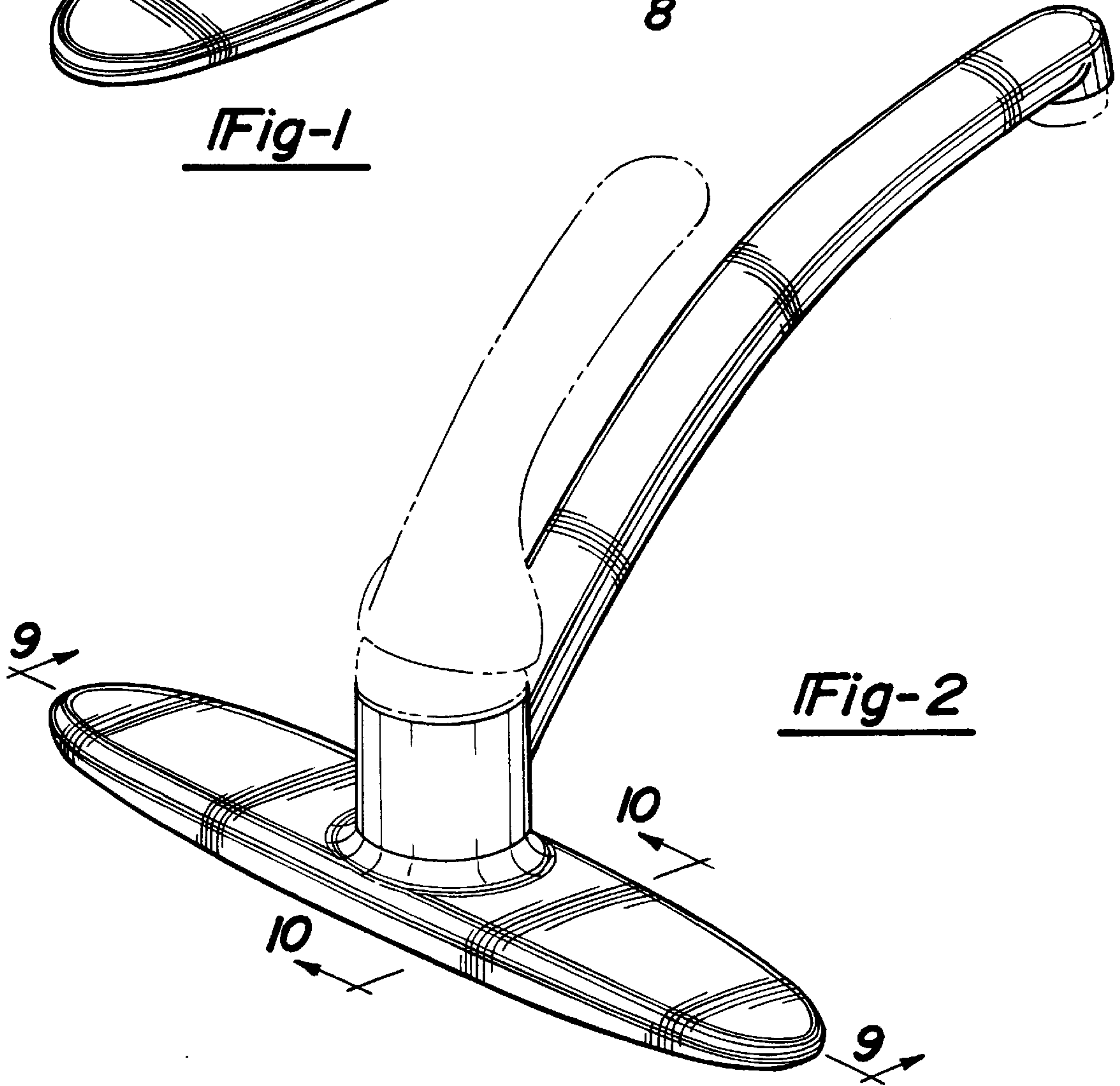


Fig-2

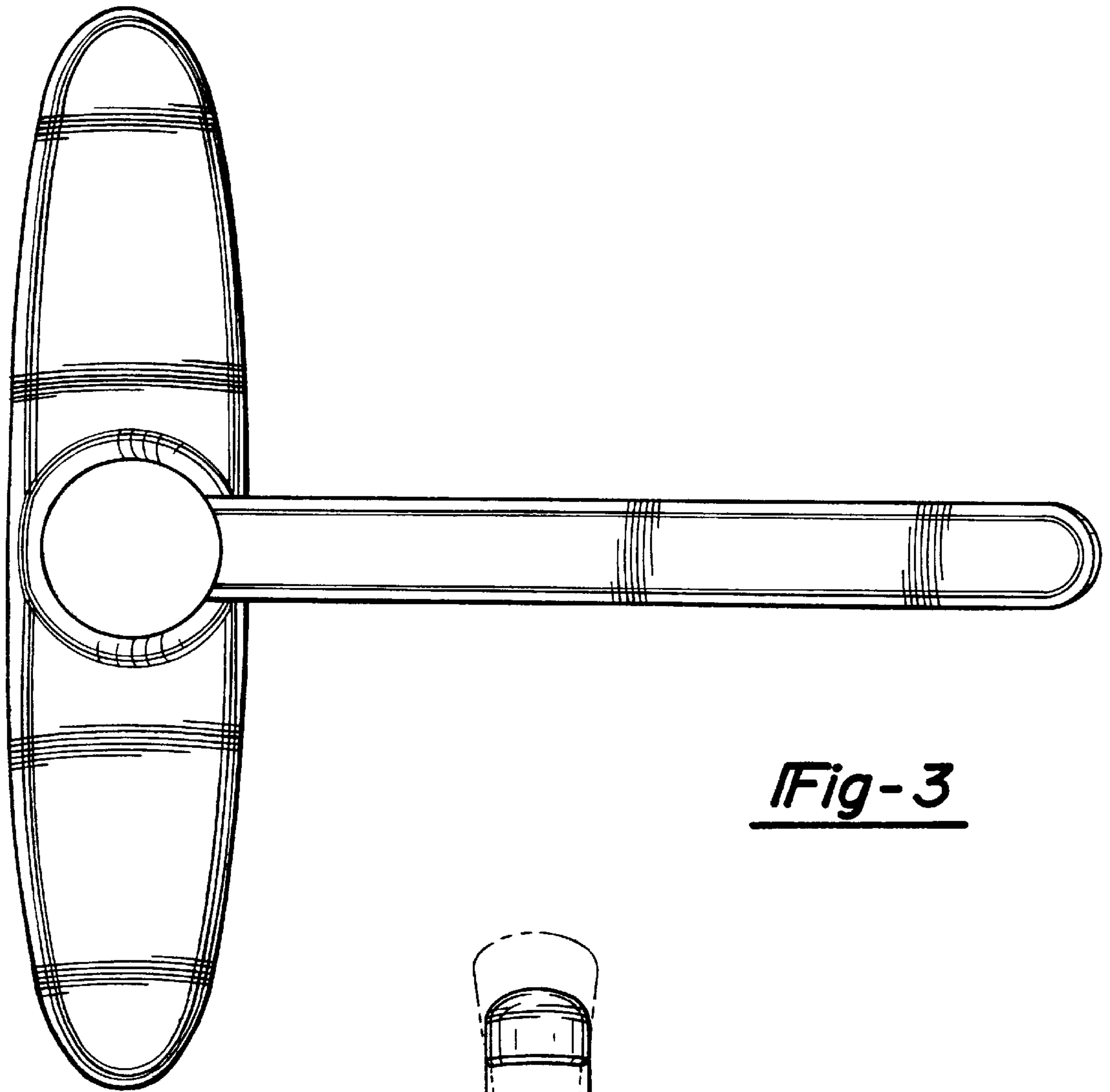


Fig-3

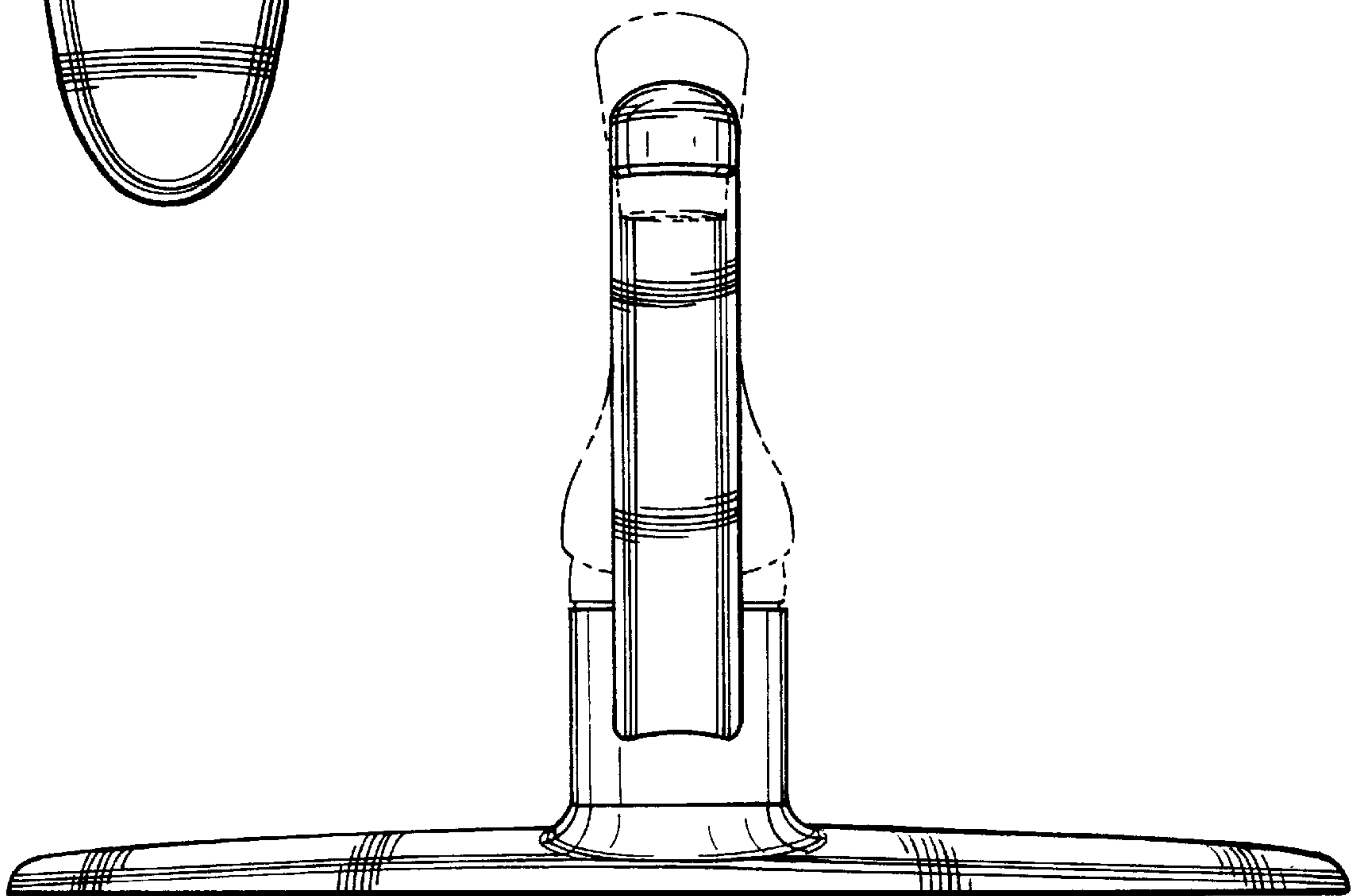


Fig-4



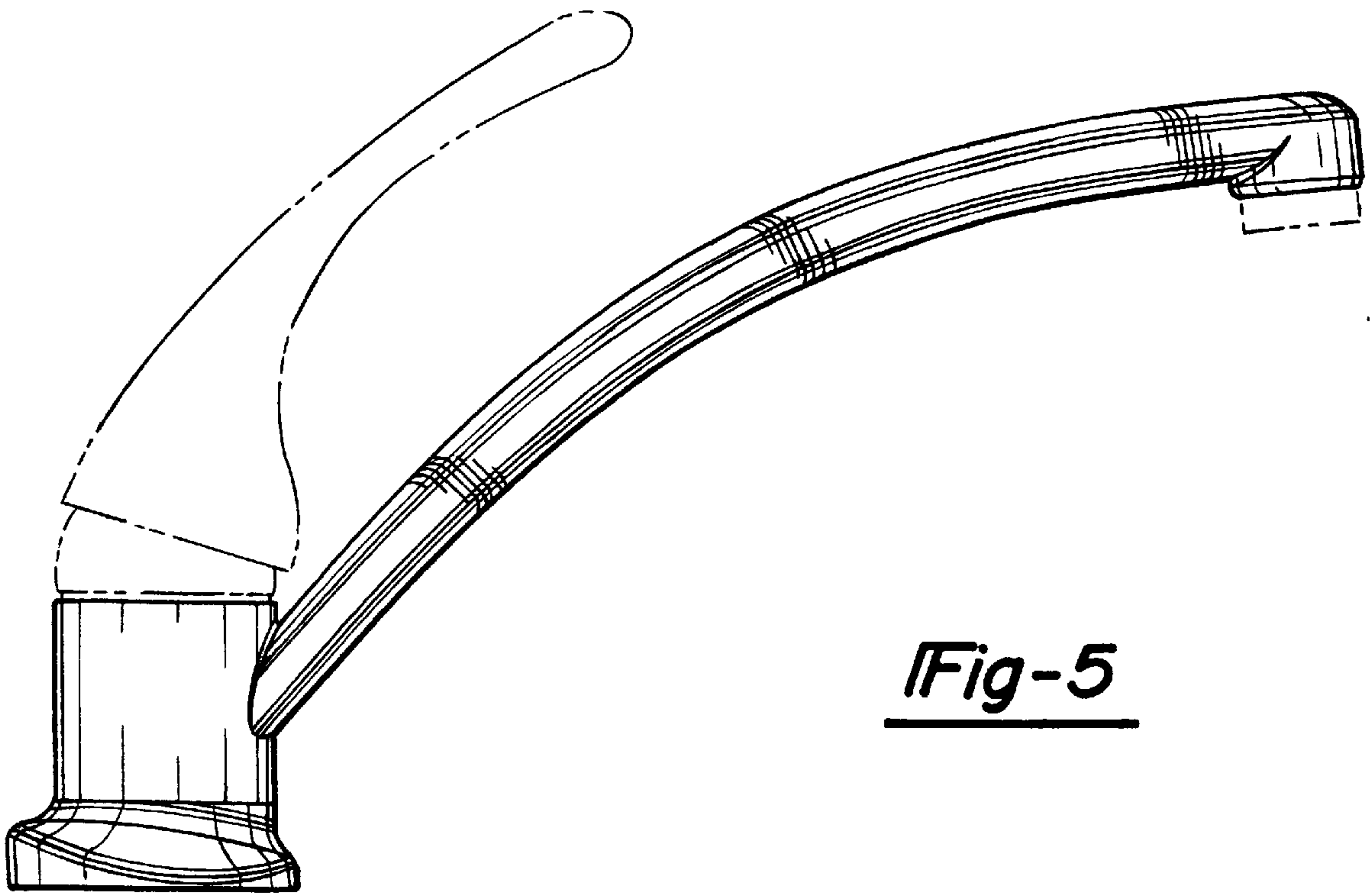


Fig-5

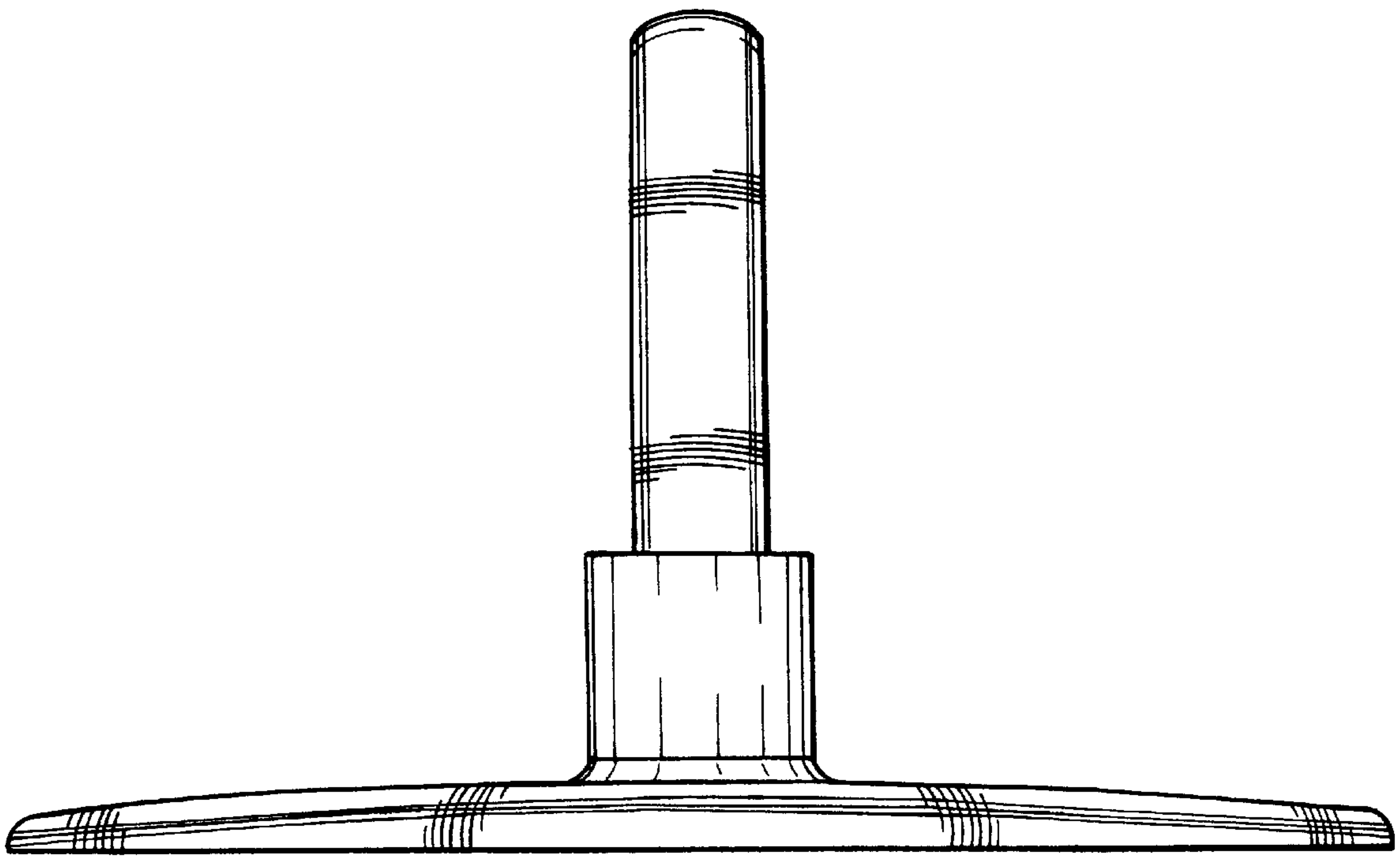


Fig-6

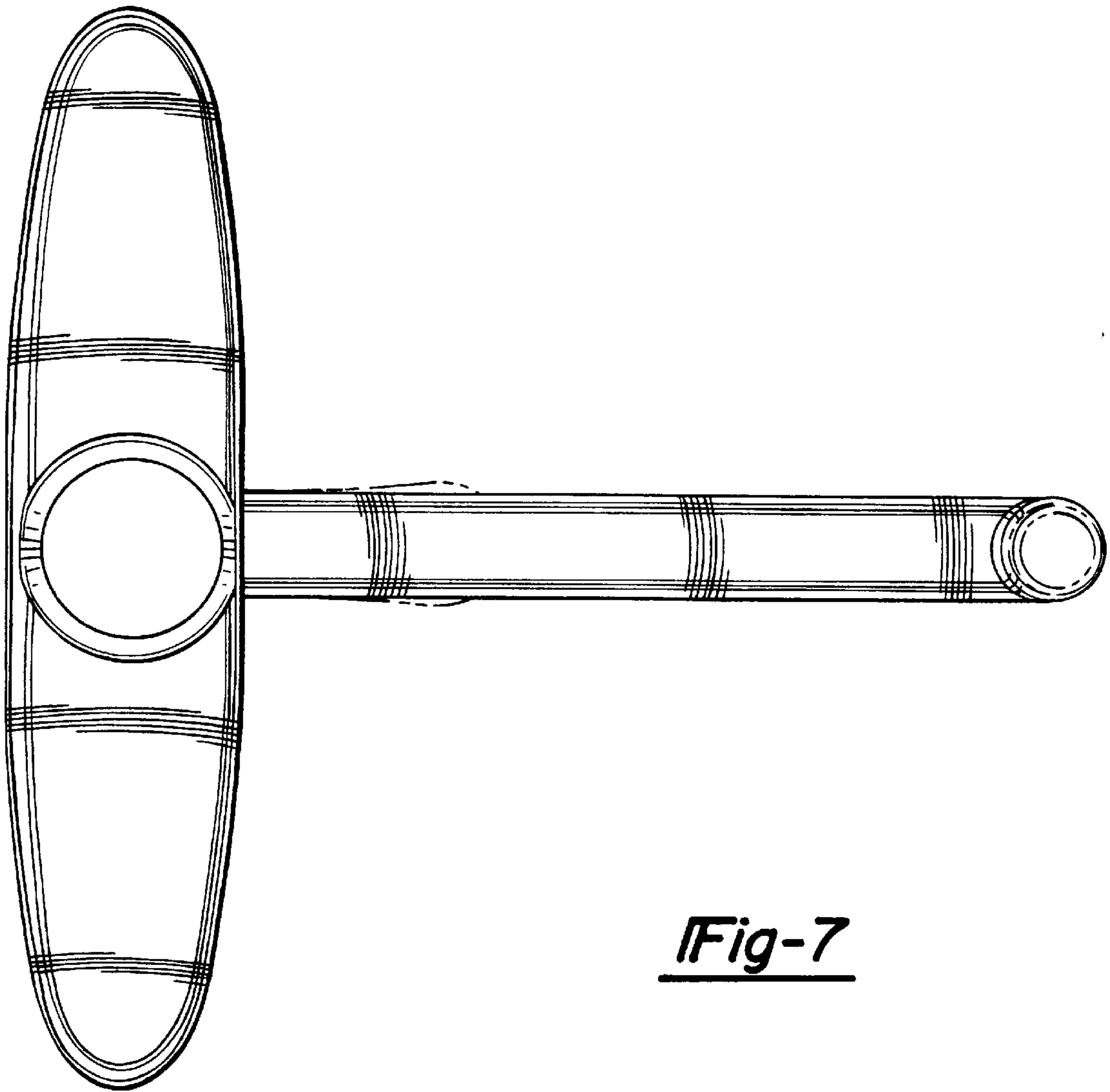


Fig-7

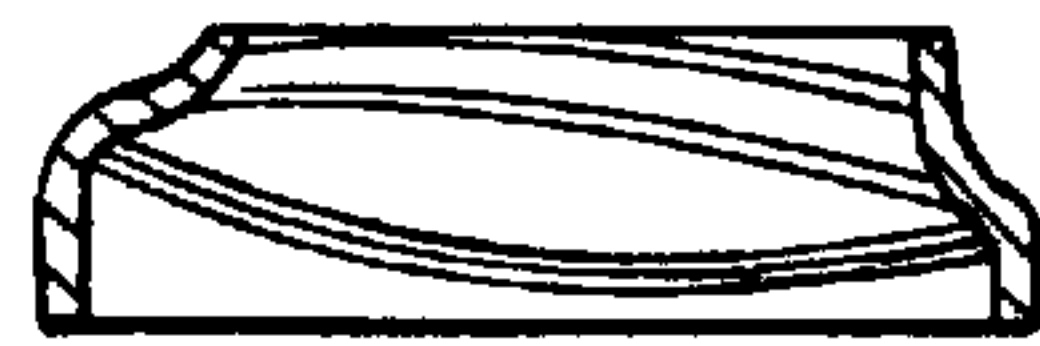


Fig-8

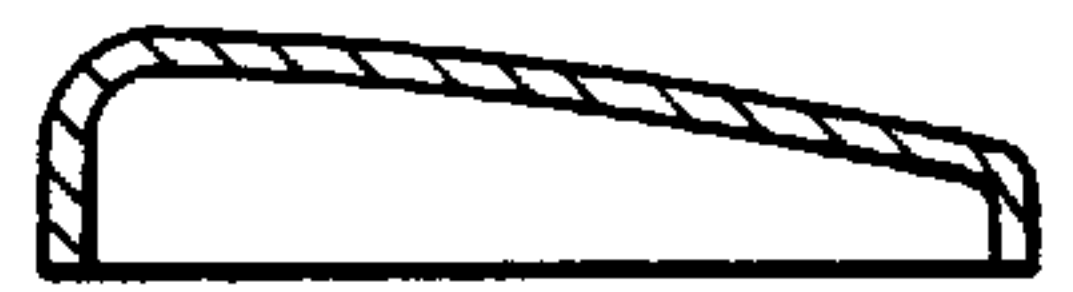


Fig-10

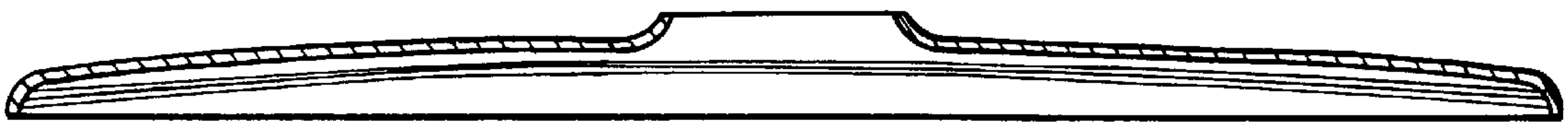


Fig-9