



US00D400968S

# United States Patent [19] Lobermeier

[11] **Patent Number: Des. 400,968**

[45] **Date of Patent: \*\*Nov. 10, 1998**

[54] **LEVER-HANDLE BIDET FAUCET**

[75] Inventor: **Hans Lobermeier**, Menden, Germany

[73] Assignee: **Friedrich Grohe AG**, Hemer, Germany

[\*\*] Term: **14 Years**

[21] Appl. No.: **70,413**

[22] Filed: **May 7, 1997**

[30] **Foreign Application Priority Data**

Nov. 19, 1996 [DE] Germany ..... M 96 09 980.1

[51] **LOC (6) Cl.** ..... **23-01**

[52] **U.S. Cl.** ..... **D23/238**

[58] **Field of Search** ..... D23/238-243,  
D23/250-257; 4/675-678; 137/801

[56] **References Cited**

**U.S. PATENT DOCUMENTS**

D. 253,607 12/1979 Haug ..... D23/238

D. 291,232 8/1987 Haug et al. .... D23/238  
D. 324,904 3/1992 Haug et al. .... D23/238  
D. 350,388 9/1994 Gottwald ..... D23/238  
D. 353,650 12/1994 Haug et al. .... D23/238

*Primary Examiner*—Doris V. Coles  
*Assistant Examiner*—Eric Watterson  
*Attorney, Agent, or Firm*—Herbert Dubno

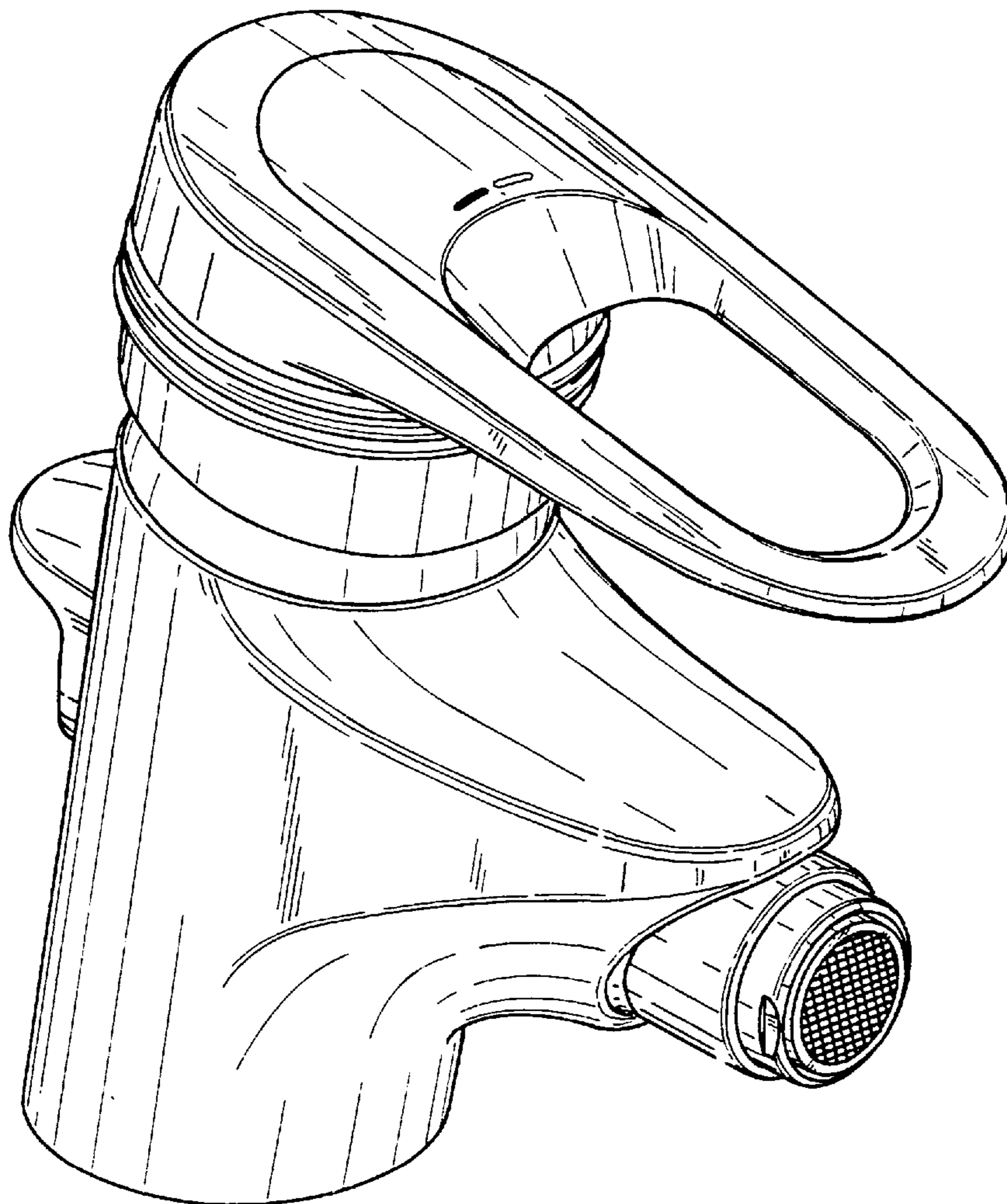
[57] **CLAIM**

The ornamental design for a lever-handle bidet faucet, as shown and described.

**DESCRIPTION**

FIG. 1 is a top, front, left-side perspective view of a lever-handle bidet faucet showing my new design;  
FIG. 2 is a top view thereof;  
FIG. 3 is a left side elevational view thereof, the right side being mirror symmetrical thereto;  
FIG. 4 is a bottom view thereof;  
FIG. 5 is a front view thereof; and,  
FIG. 6 is a rear view thereof.

**1 Claim, 3 Drawing Sheets**



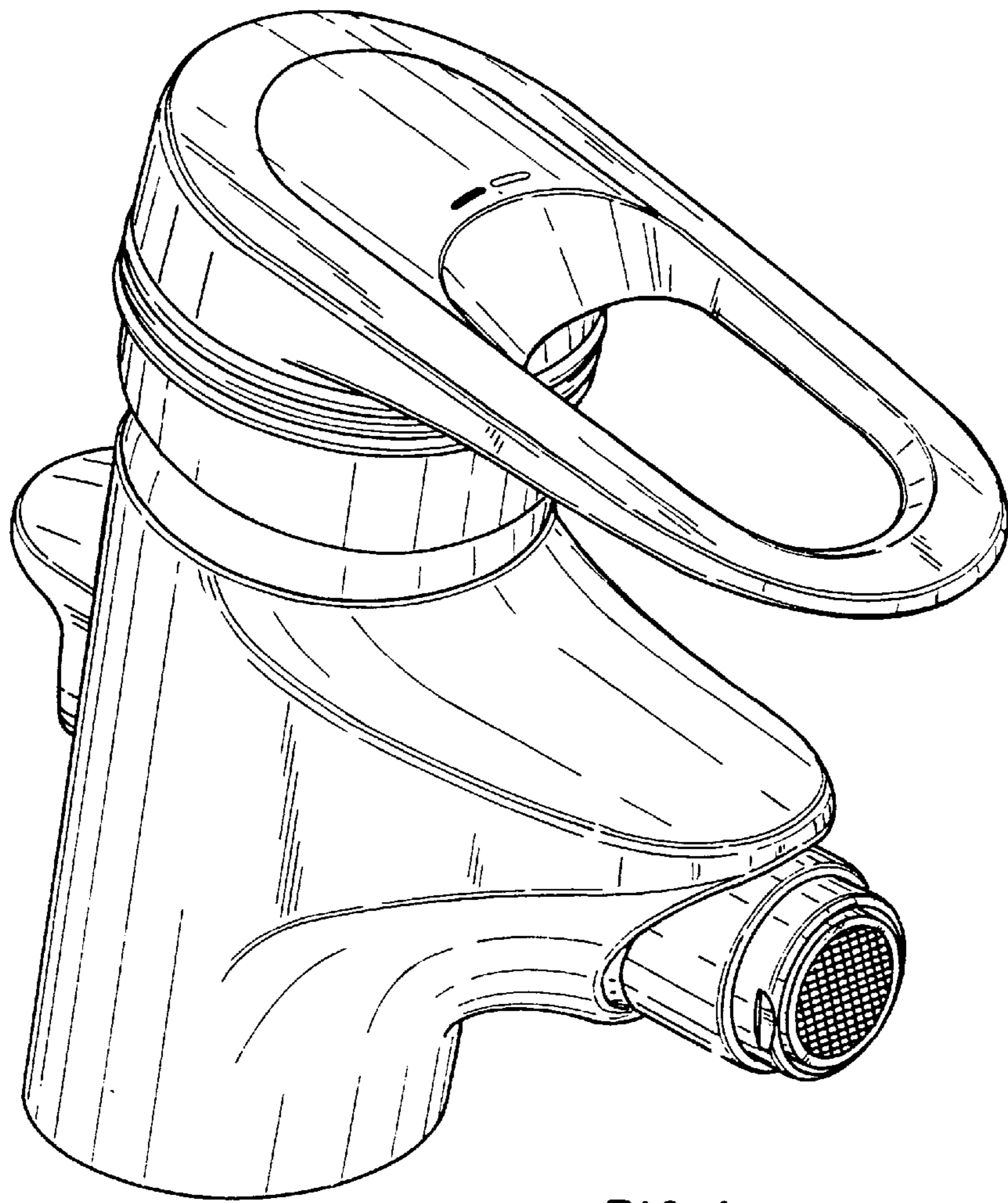
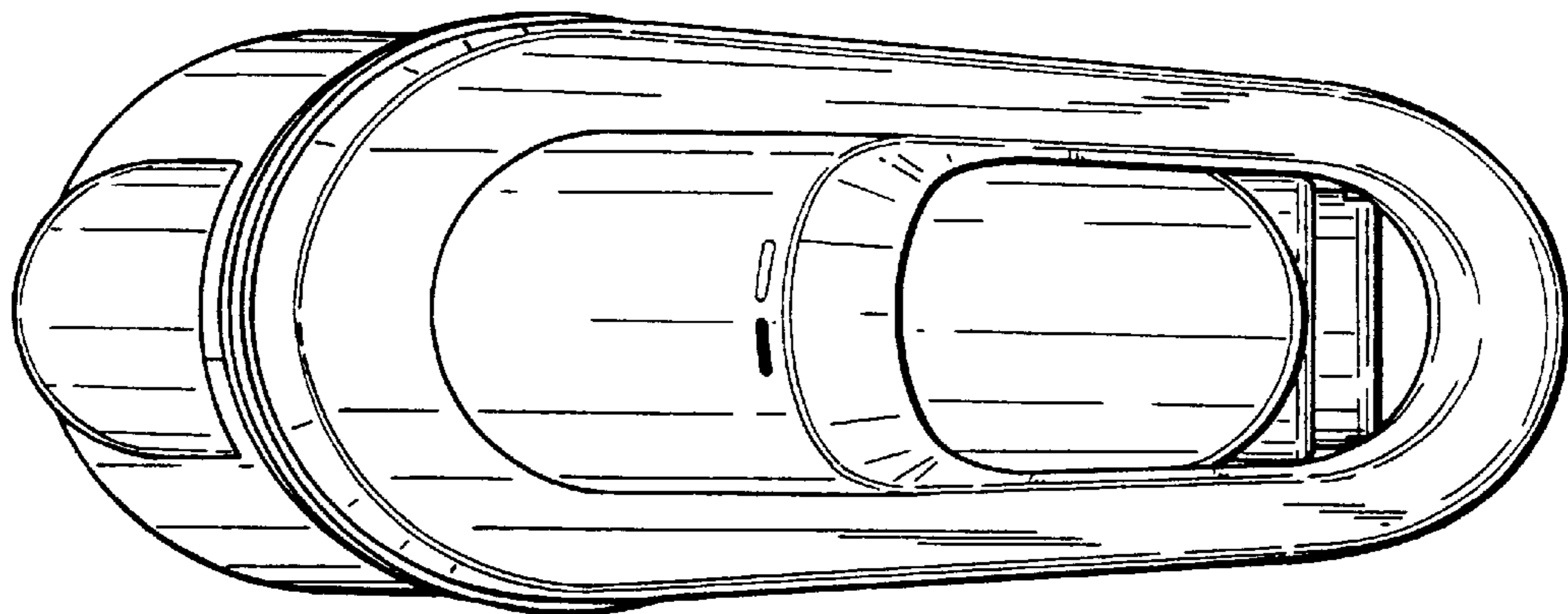


FIG. 1

FIG. 2



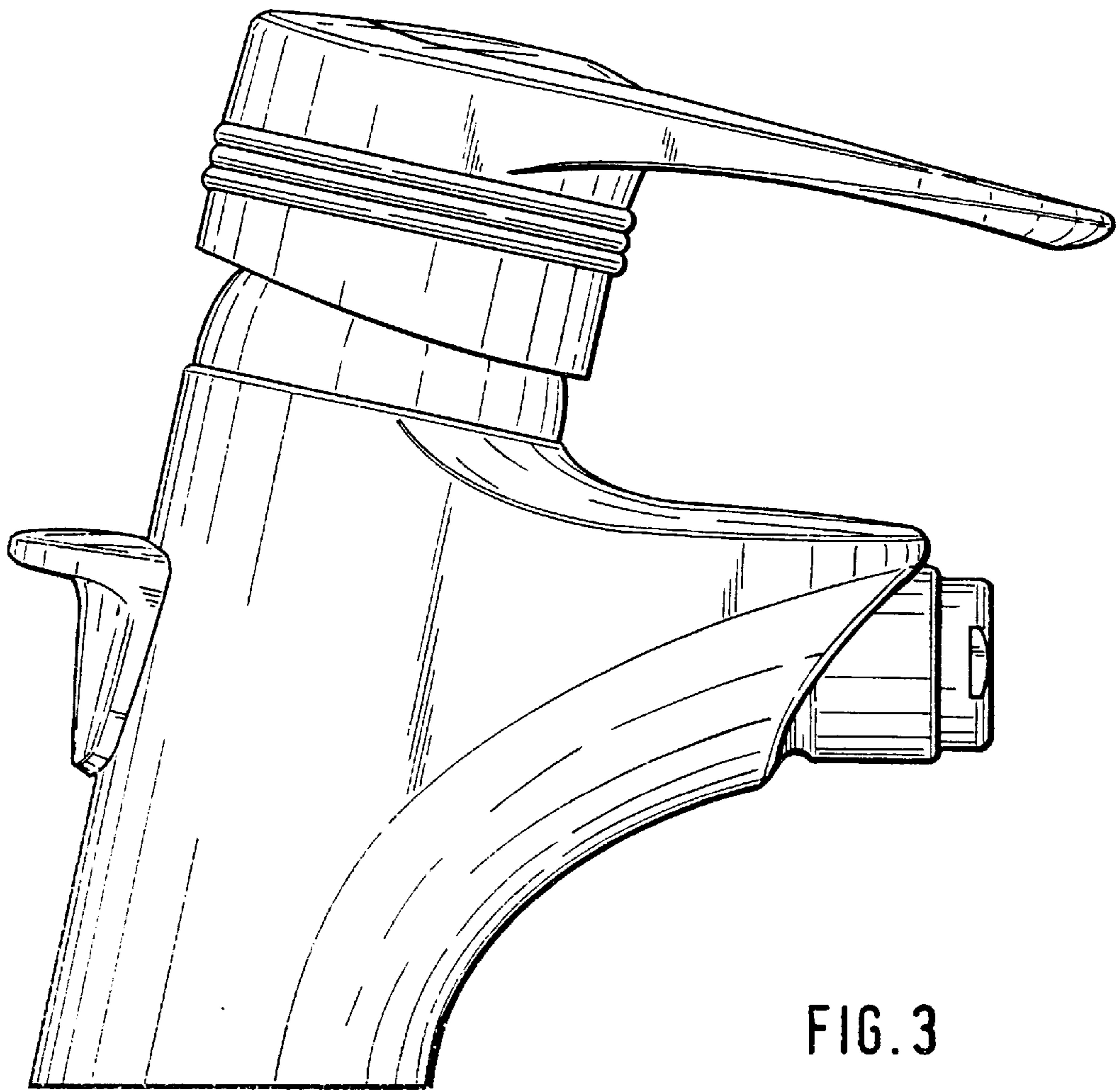


FIG. 3

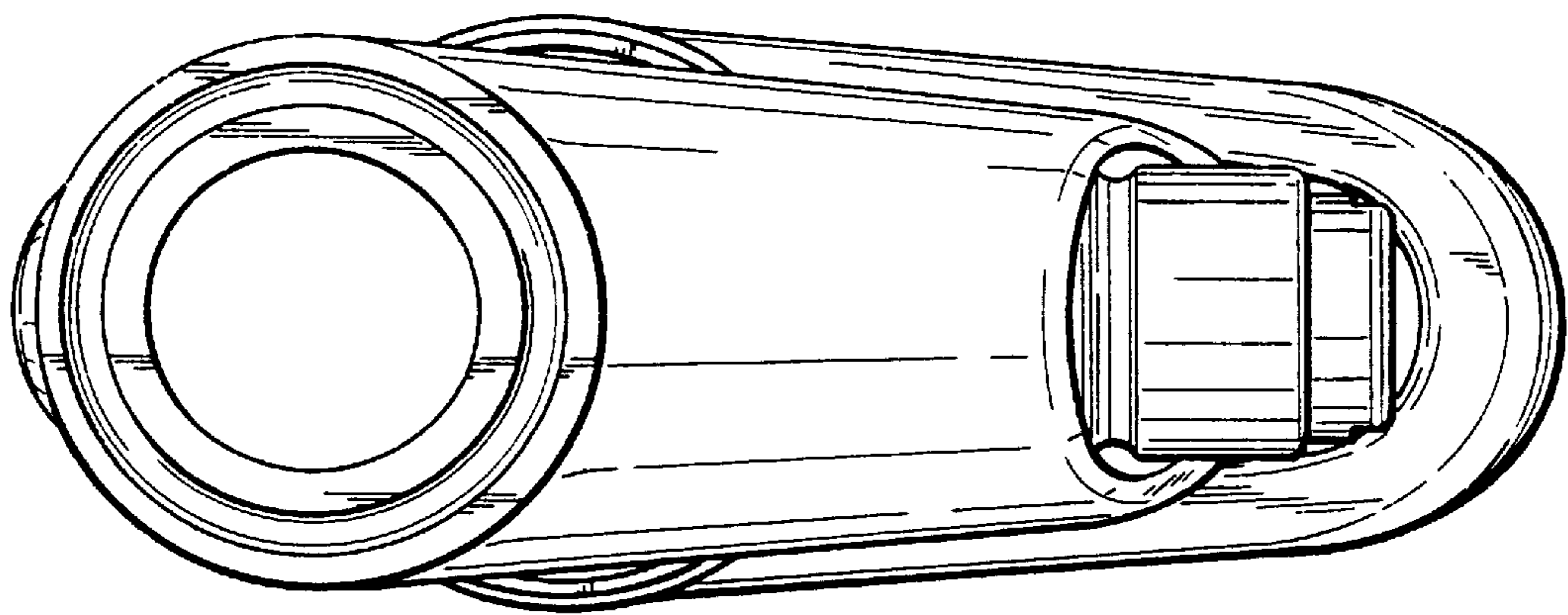


FIG. 4



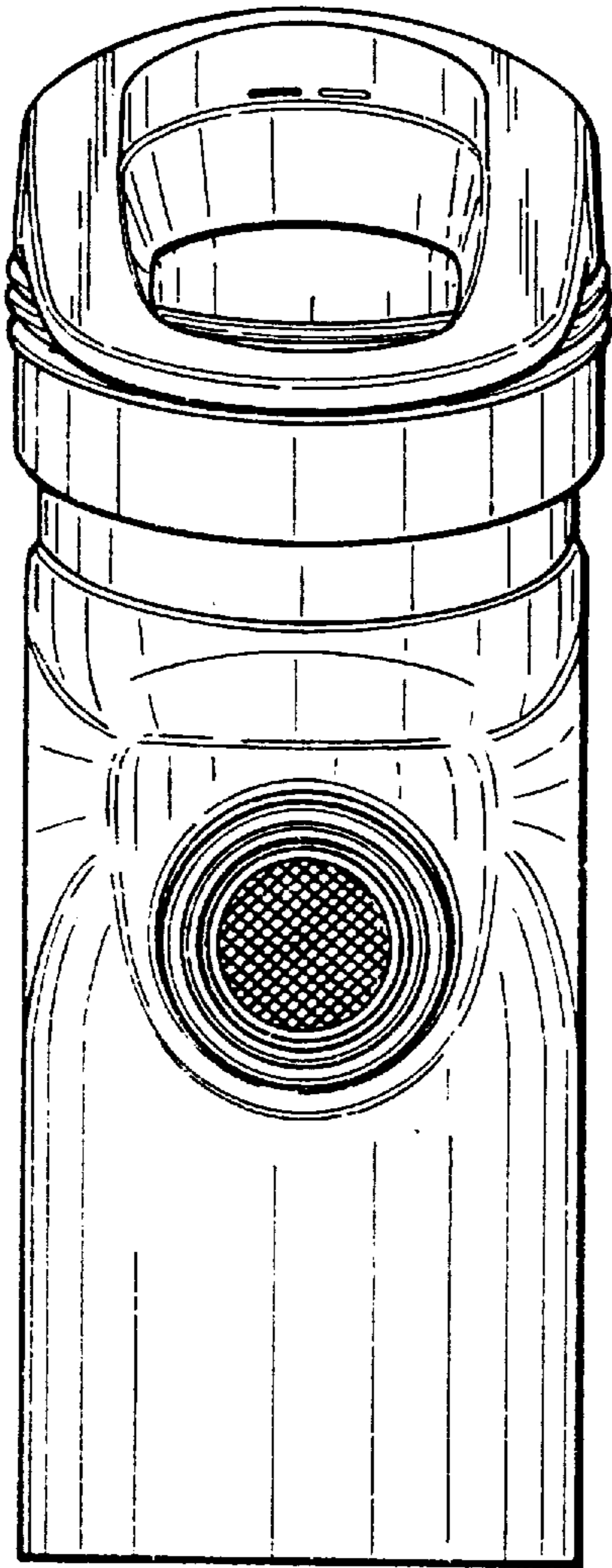


FIG. 5

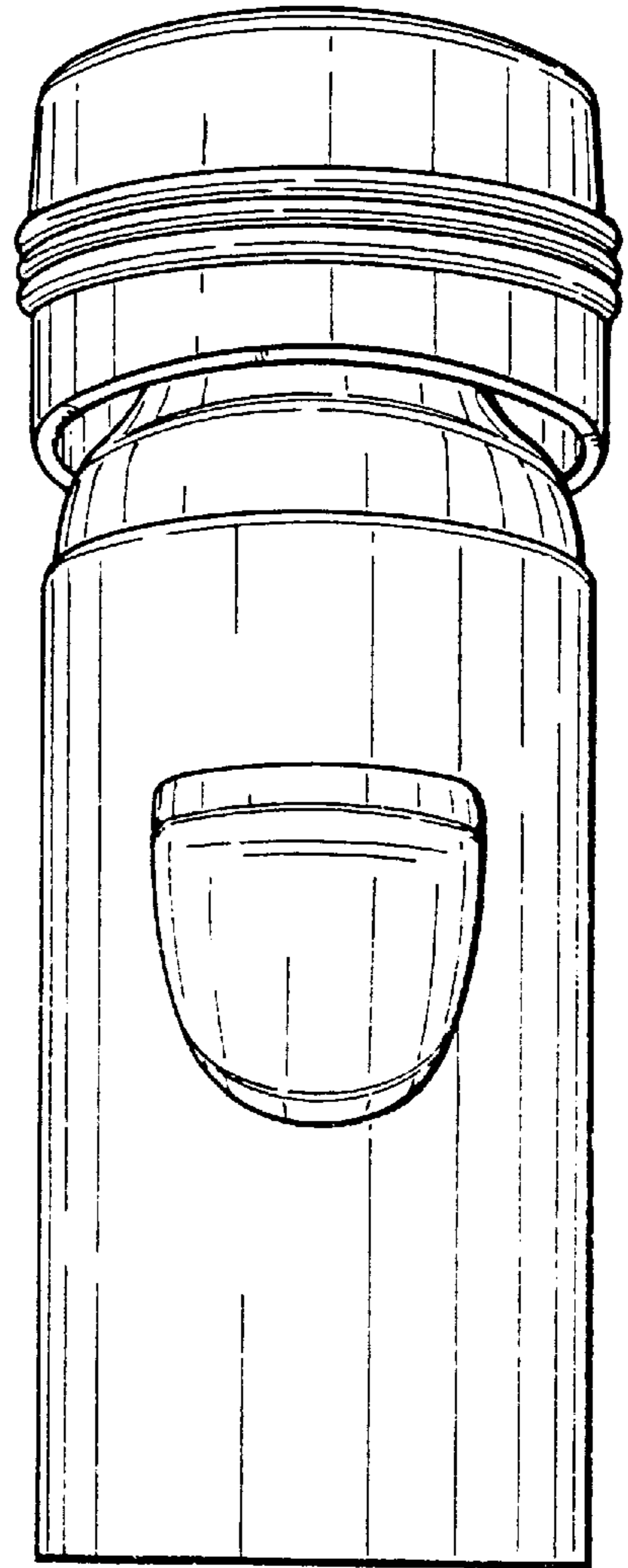


FIG. 6