



US00D400965S

United States Patent [19]

Akwei

[11] Patent Number: **Des. 400,965**

[45] Date of Patent: ****Nov. 10, 1998**

[54] **DISINFECTANT DISPENSER WITH MANUAL VALVE**

[76] Inventor: **Samuel A. Akwei, S.A.A. Company, Ltd., P.O. Box 28608, Philadelphia, Pa. 19151**

[**] Term: **14 Years**

[21] Appl. No.: **64,901**

[22] Filed: **Jan. 14, 1997**

[51] **LOC (6) Cl. 23-01**

[52] **U.S. Cl. D23/208; D23/368**

[58] **Field of Search D23/208, 366-369; 4/223, 420.4**

[56] **References Cited**

U.S. PATENT DOCUMENTS

D. 191,106	8/1961	Pannutti	D23/208
D. 361,109	8/1995	Davis, Jr.	D23/208
3,694,354	9/1972	Nolte, Jr.	D23/208

Primary Examiner—Lisa Lichtenstein
Attorney, Agent, or Firm—Eckert Seamans Cherin & Mellott

[57] **CLAIM**

The ornamental design for a disinfectant dispenser with manual valve, as shown and described.

DESCRIPTION

FIG. 1 is a front perspective view of a disinfectant dispenser with manual valve according to my new design, as mounted in a toilet shown in broken lines for illustrative purposes only and forming no part of the subject design;

FIG. 2 is an enlarged front perspective view thereof;

FIG. 3 is an enlarged top plan view thereof;

FIG. 4 is an enlarged front elevational view thereof, from the bottom in FIG. 3;

FIG. 5 is an enlarged bottom plan view thereof;

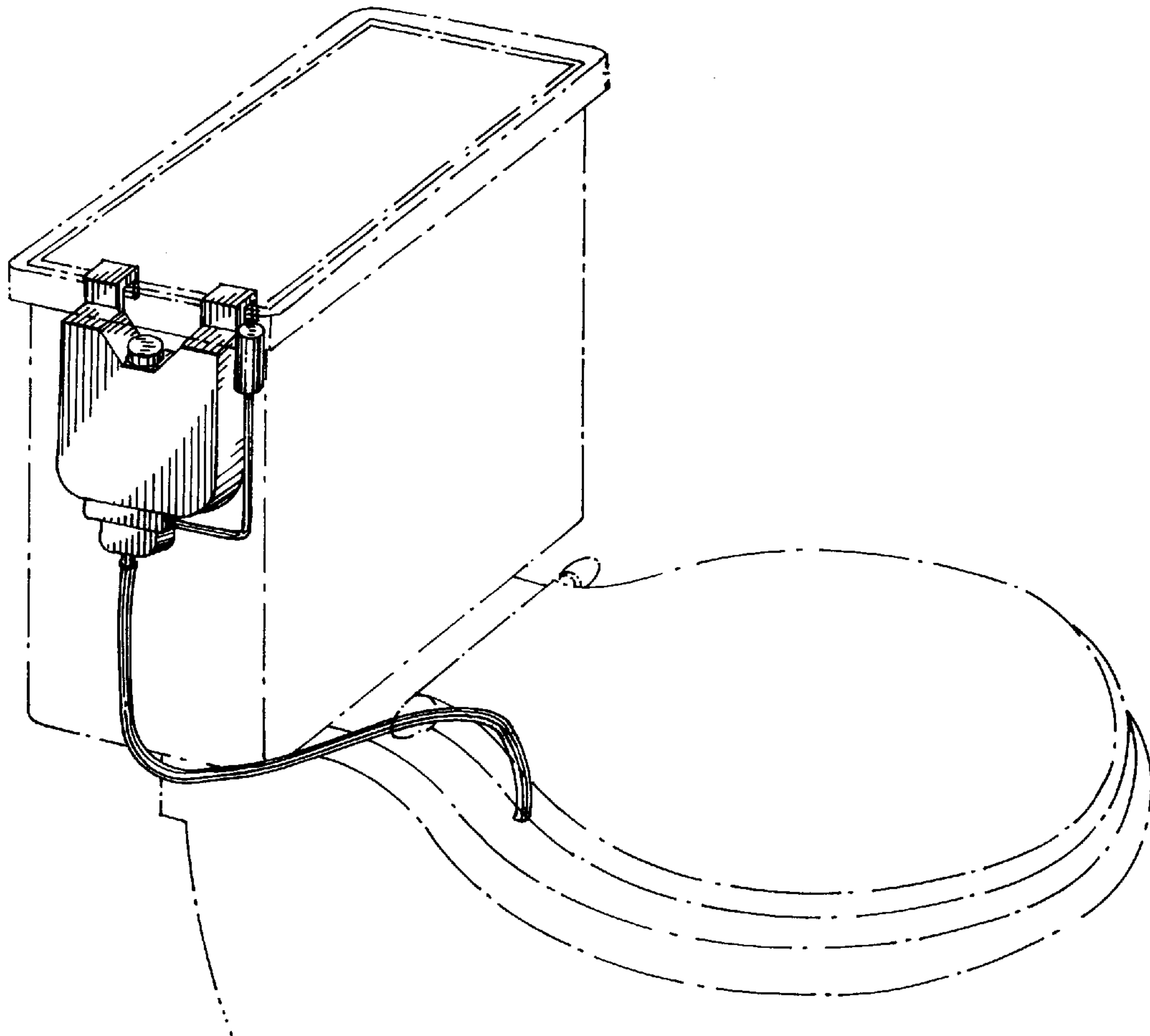
FIG. 6 is a side elevational view thereof, from the left in FIG. 4;

FIG. 7 is a side elevational view thereof, from the right in FIG. 4; and,

FIG. 8 is a rear elevational view thereof, from the top in FIG. 3.

The bottom tube has been shown broken away in FIGS. 2, 4, 6, 7 and 8 for ease of illustration.

1 Claim, 3 Drawing Sheets



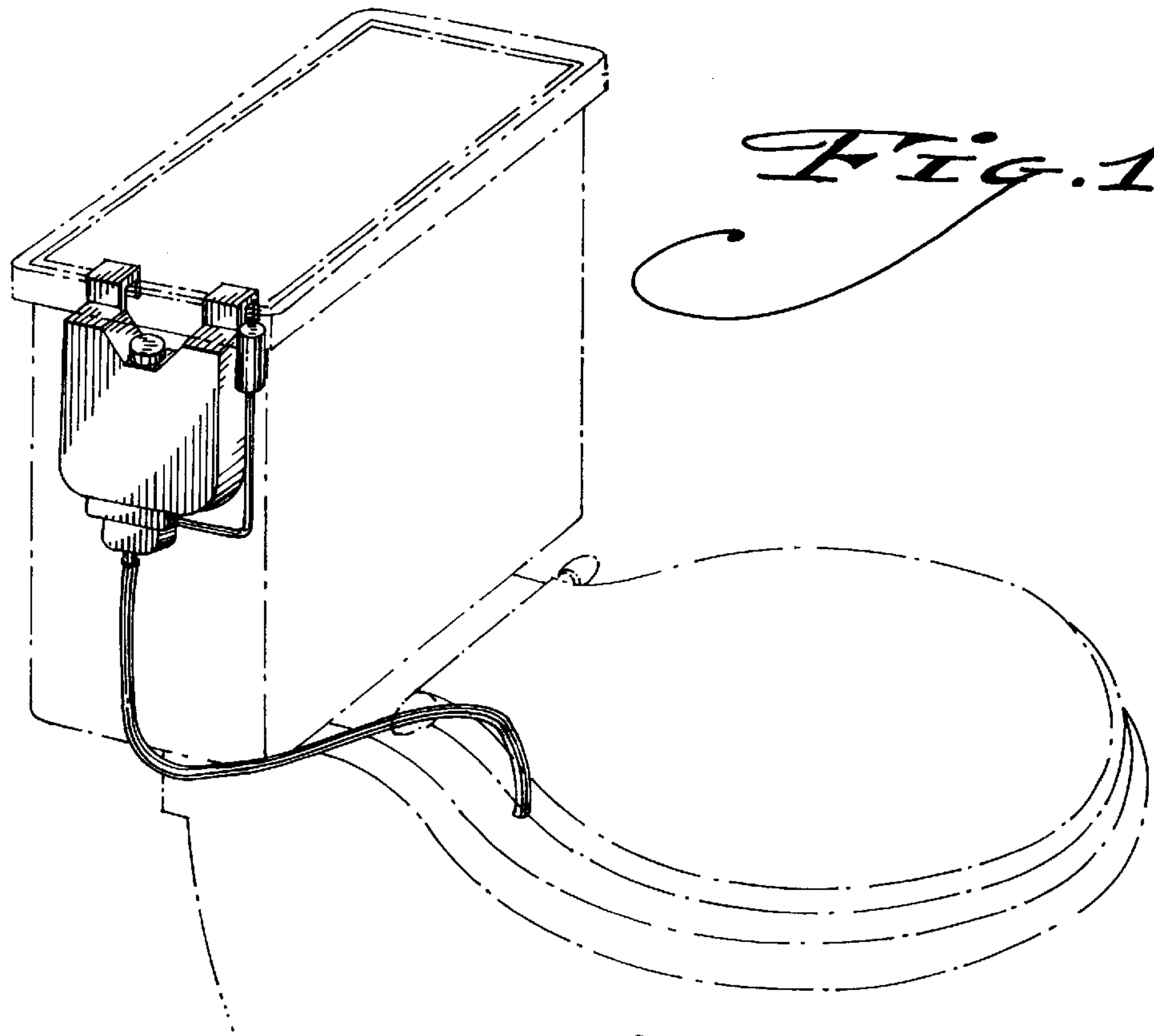


Fig. 1.

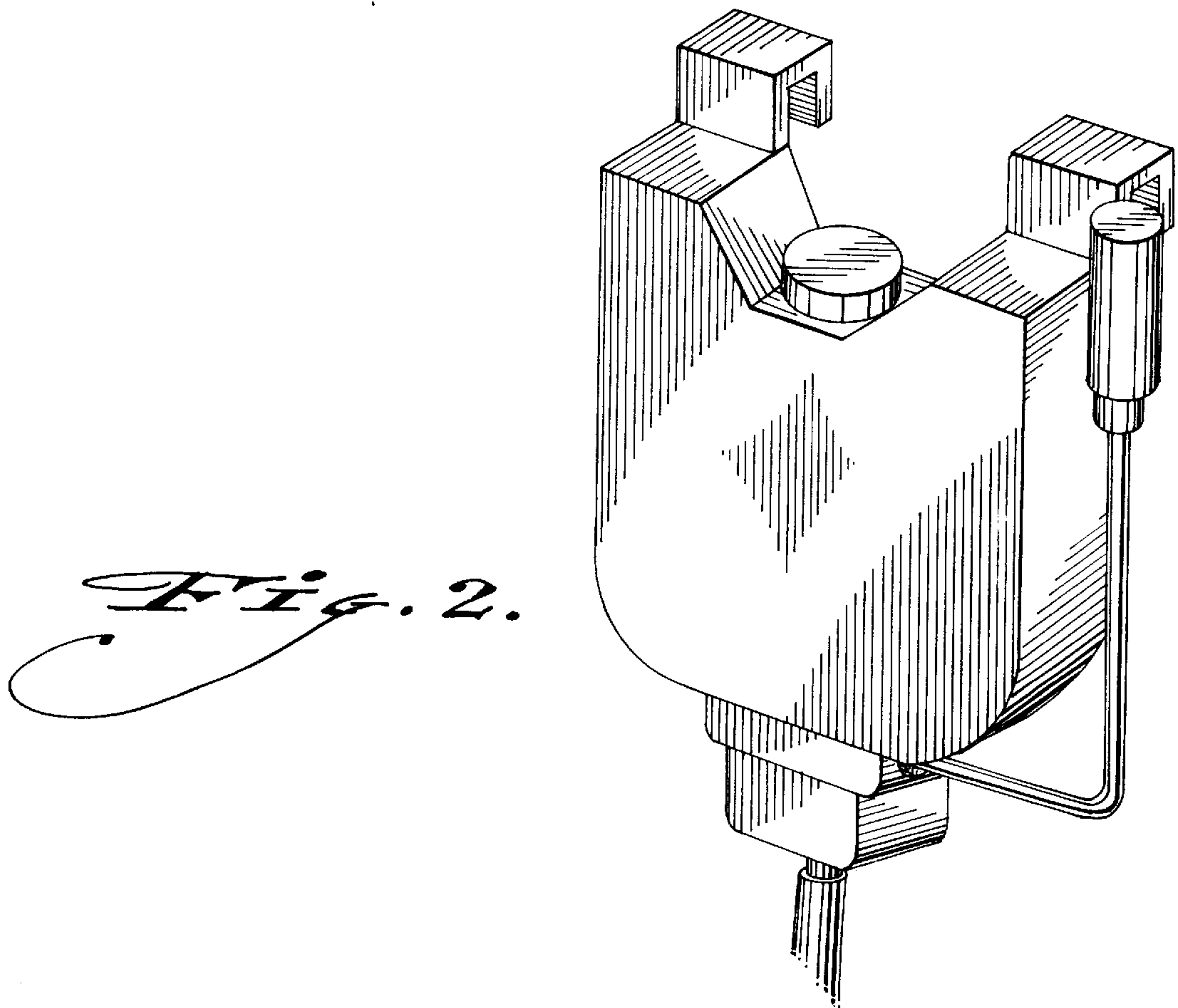


Fig. 2.

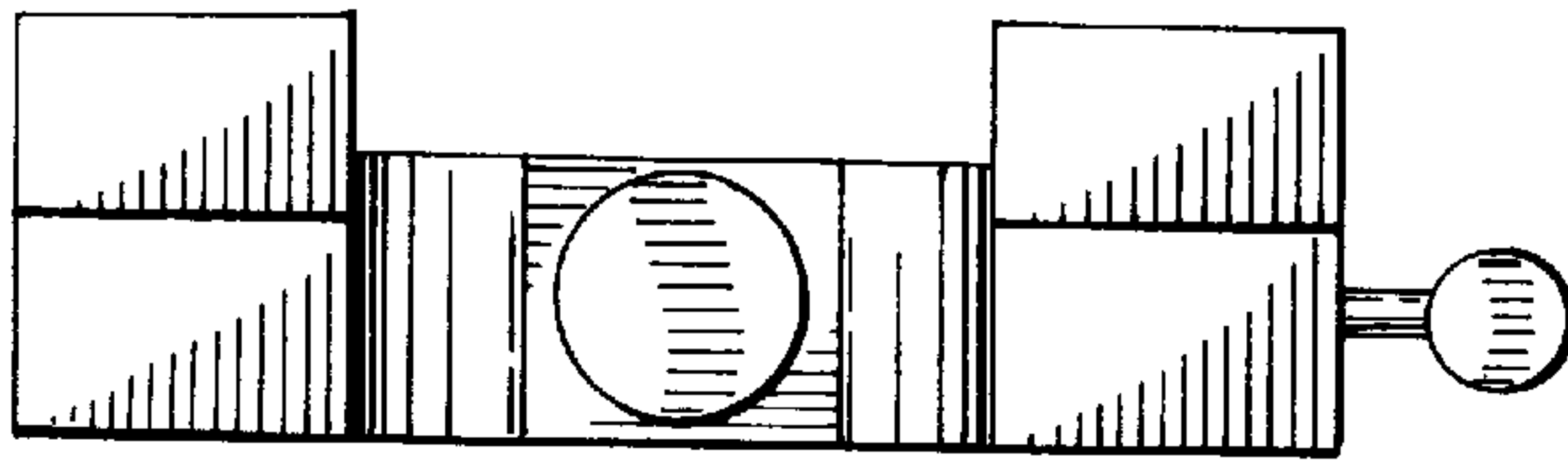


Fig. 3.

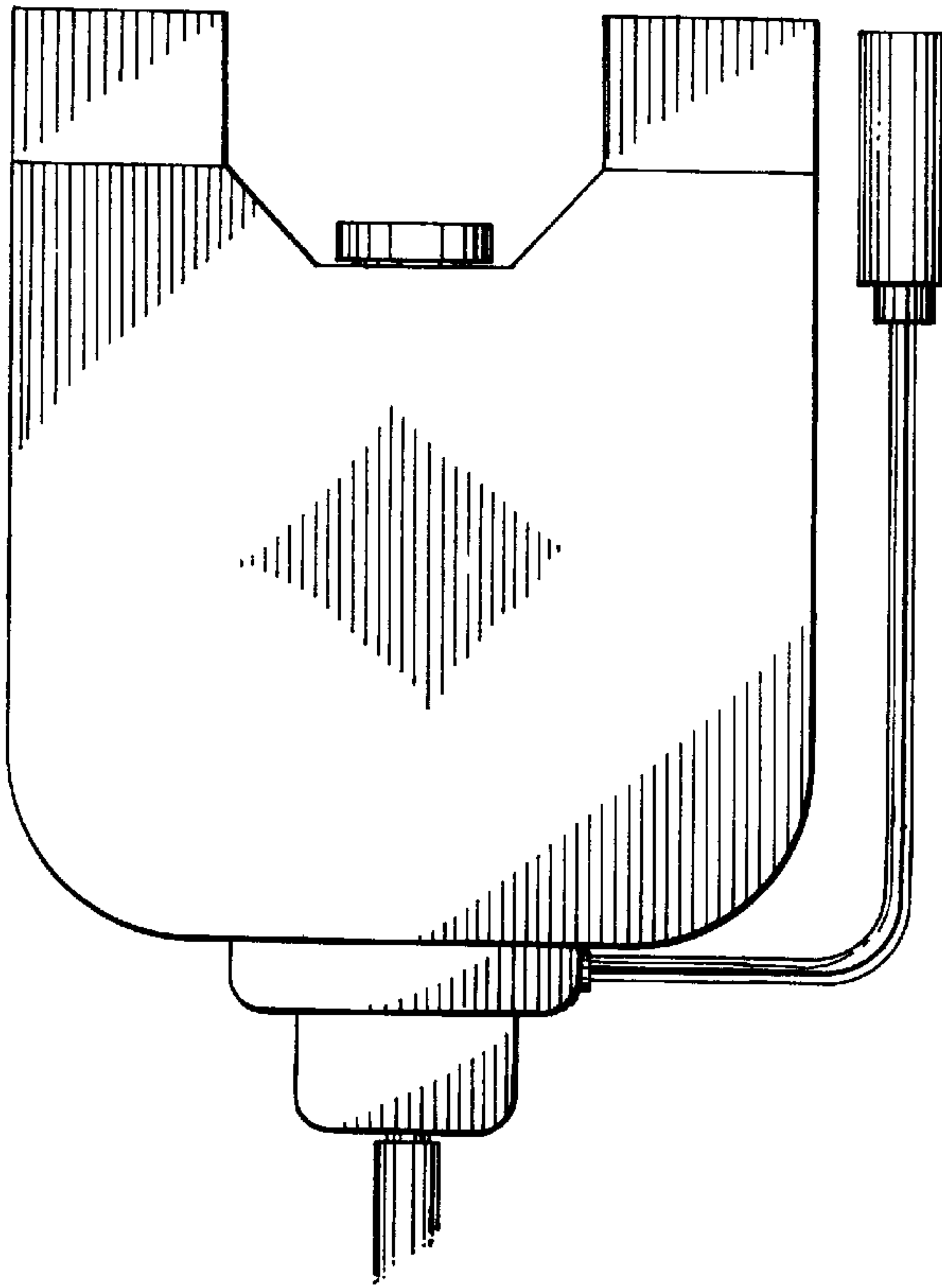


Fig. 4.

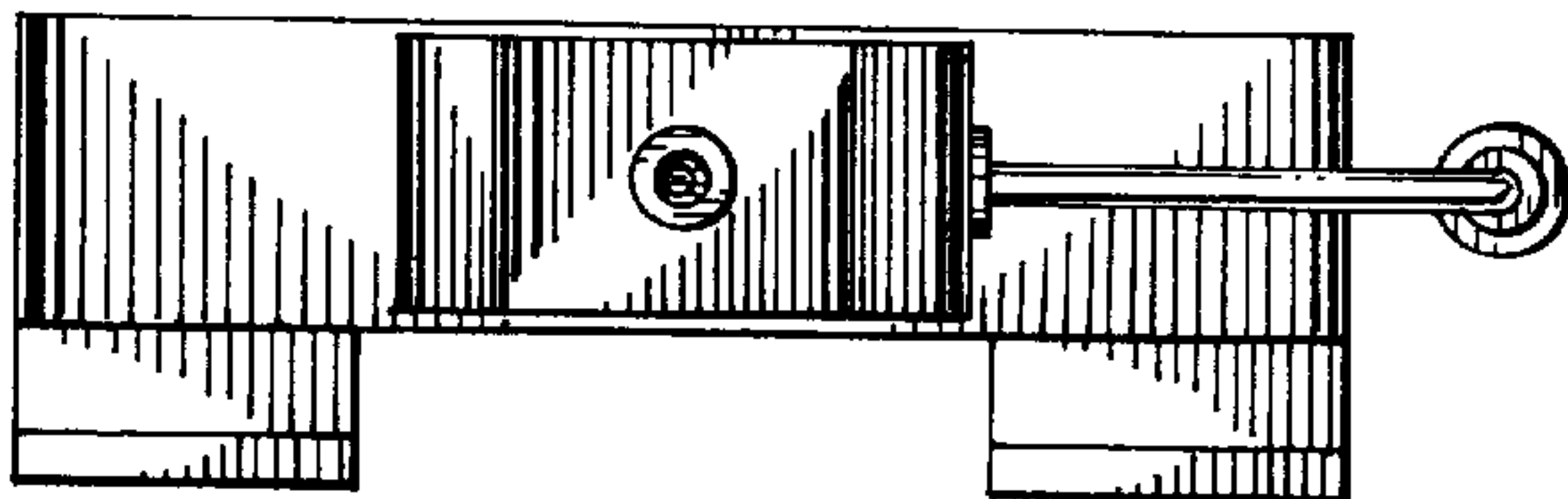


Fig. 5.

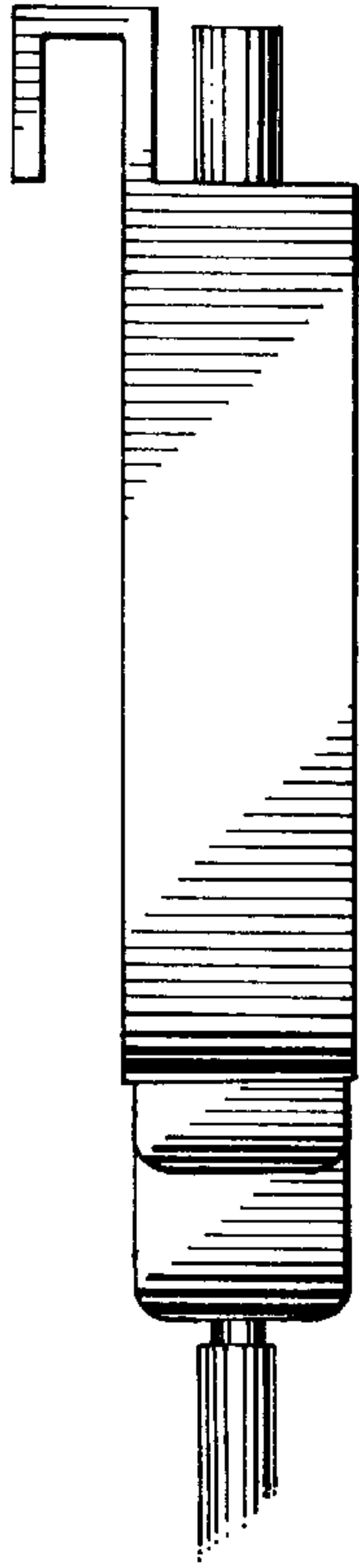


Fig. 6.

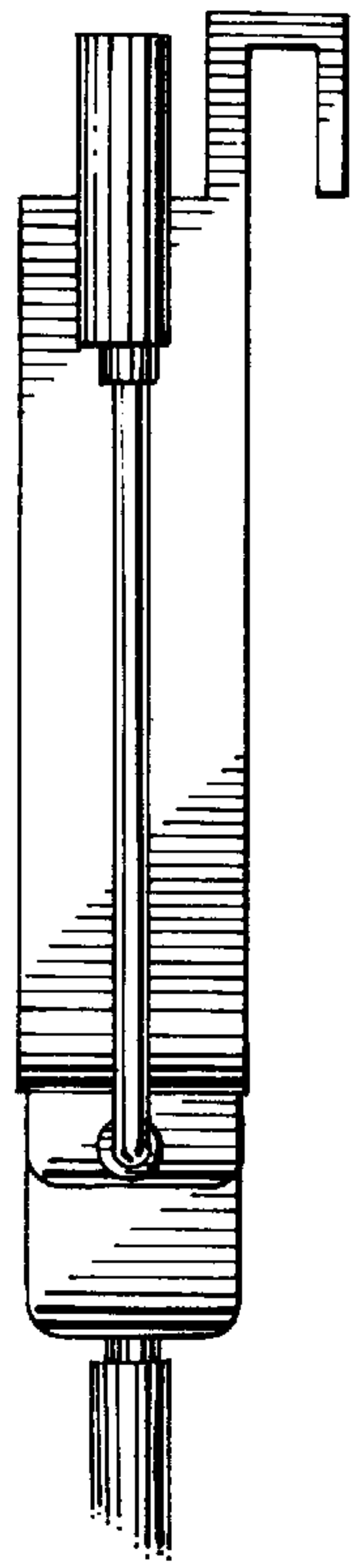


Fig. 7.

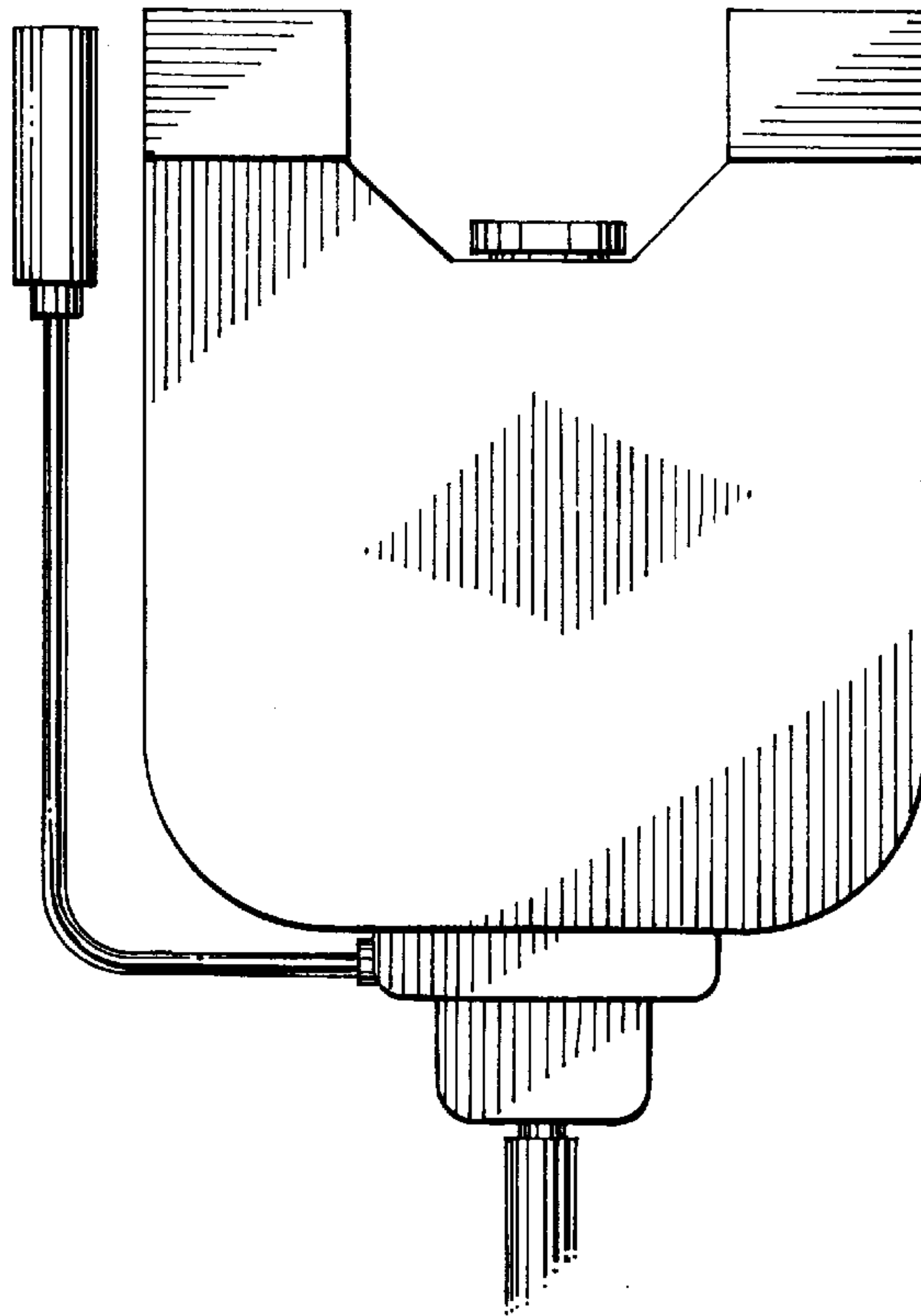


Fig. 8.