



US00D400960S

United States Patent [19]

Yoshikawa et al.

[11] Patent Number: **Des. 400,960**

[45] Date of Patent: ****Nov. 10, 1998**

[54] **FISHING REEL BODY**

[75] Inventors: **Toshiaki Yoshikawa**, Musashino;
Yasuhiro Takigasaki; **Yuuji Ohtake**,
both of Higashikurume, all of Japan

[73] Assignee: **Daiwa Seiko, Inc.**, Tokyo, Japan

[**] Term: **14 Years**

[21] Appl. No.: **76,829**

[22] Filed: **Sep. 23, 1997**

[30] **Foreign Application Priority Data**

Mar. 25, 1997 [JP] Japan 9-8400

[51] **LOC (6) Cl.** **22-05**

[52] **U.S. Cl.** **D22/141**

[58] **Field of Search** D22/141, 140;
242/230-233, 246, 245, 224, 283, 311,
279, 240, 312

[56] **References Cited**

U.S. PATENT DOCUMENTS

- D. 314,808 2/1991 Yoshikawa D22/141
- D. 315,777 3/1991 Kameda et al. D22/141
- D. 327,312 6/1992 Shiozaki D22/141
- D. 329,271 9/1992 Shiozaki D22/141
- D. 335,472 5/1993 Robbins D22/141

- D. 347,877 6/1994 Asano et al. D22/141
- D. 352,760 11/1994 Terada et al. D22/141
- D. 352,761 11/1994 Sakurah D22/141
- D. 352,763 11/1994 Myojo et al. D22/141
- D. 353,870 12/1994 Asano et al. D22/141
- 5,540,397 7/1996 Yoshikawa 242/283
- 5,605,298 2/1997 Shimozaki et al. 242/231
- 5,673,867 10/1997 Takeuchi 242/231

Primary Examiner—Doris V. Coles
Attorney, Agent, or Firm—Laff, Whitesel, Conte & Saret,
Ltd.

[57] **CLAIM**

The ornamental design for fishing reel body, as shown.

DESCRIPTION

FIG. 1 is a front, top and right side perspective view of fishing reel body, showing our new design; FIG. 2 is a rear, top and left side perspective view thereof; FIG. 3 is a front elevational view thereof; FIG. 4 is a rear elevational view thereof; FIG. 5 is a top plan view thereof; FIG. 6 is a bottom plan view thereof; FIG. 7 is a left side elevational view thereof; and, FIG. 8 is a right side elevational view thereof.

The broken line showing of the remaining parts of a fishing reel in FIGS. 1-8 is for illustrative purposes only and forms no part of the claimed design.

1 Claim, 4 Drawing Sheets

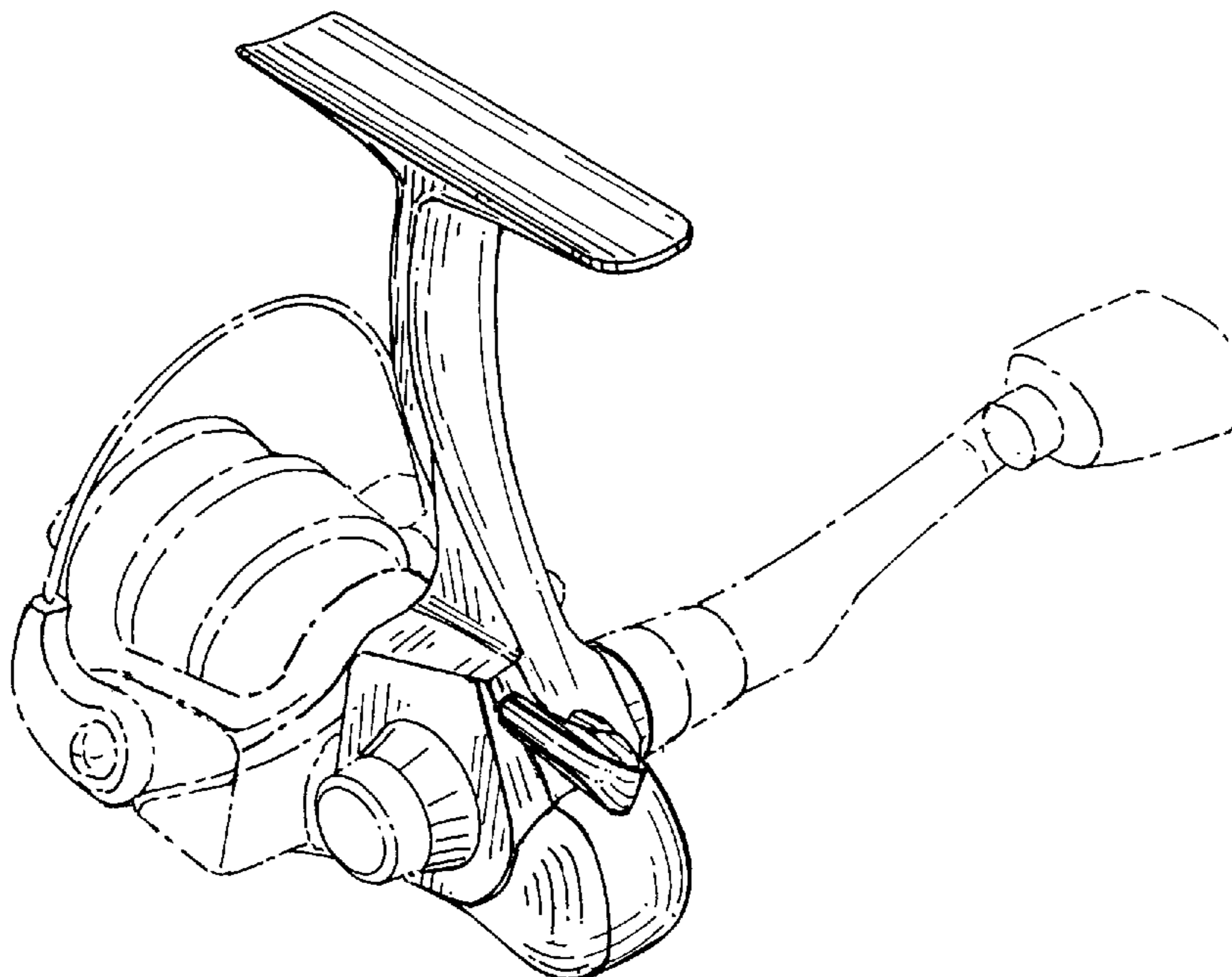


FIG. 1

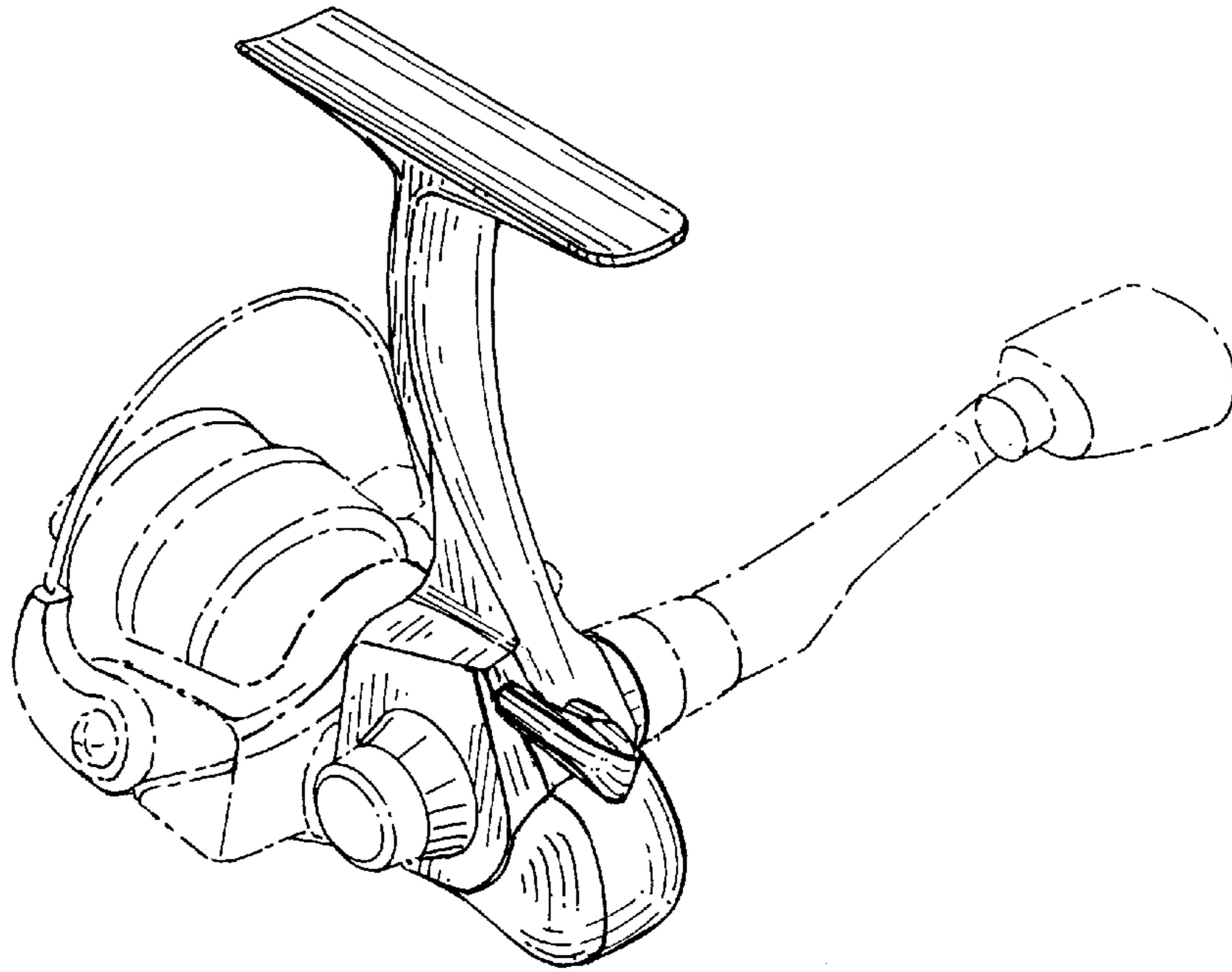


FIG. 2

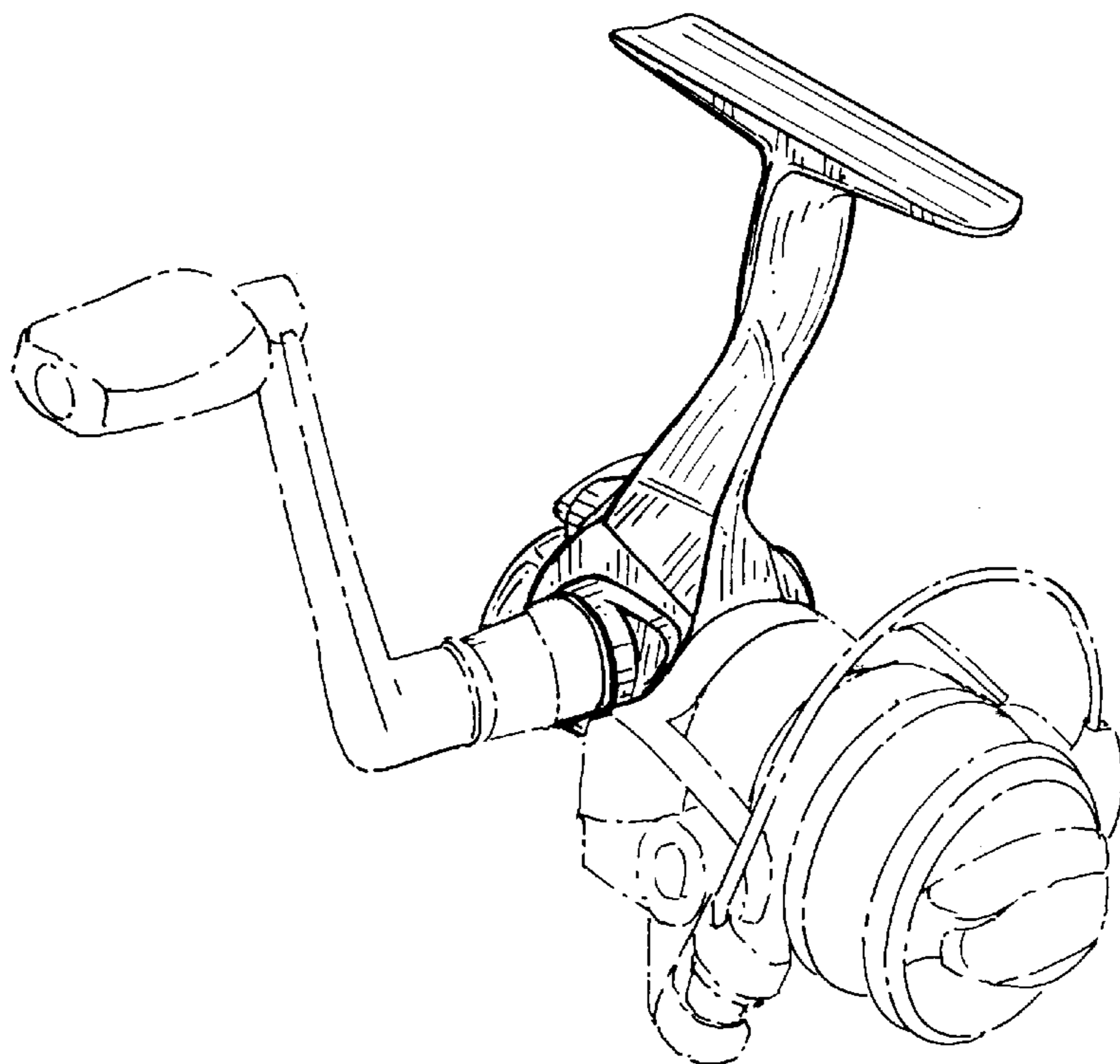


FIG. 3

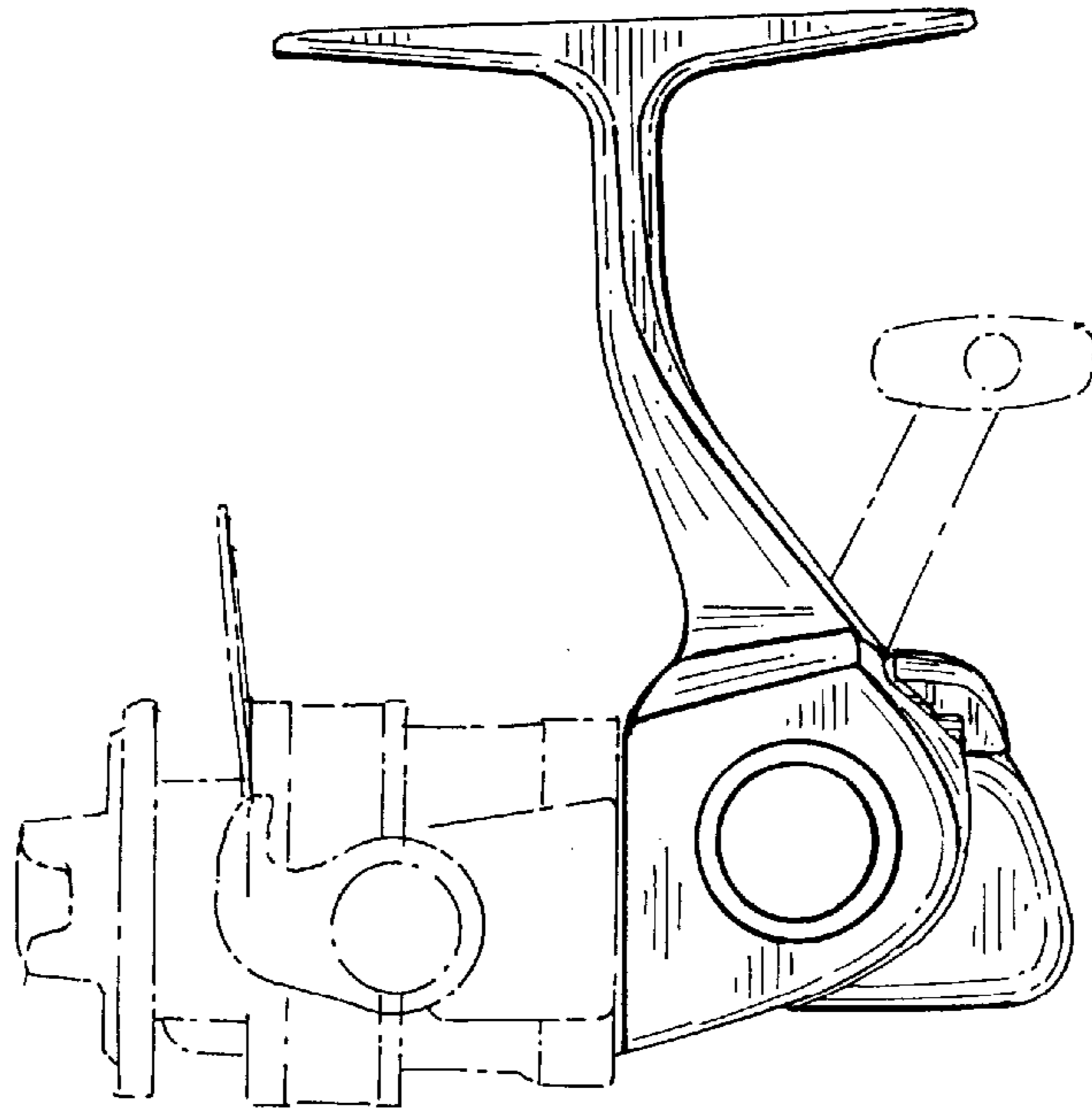


FIG. 4

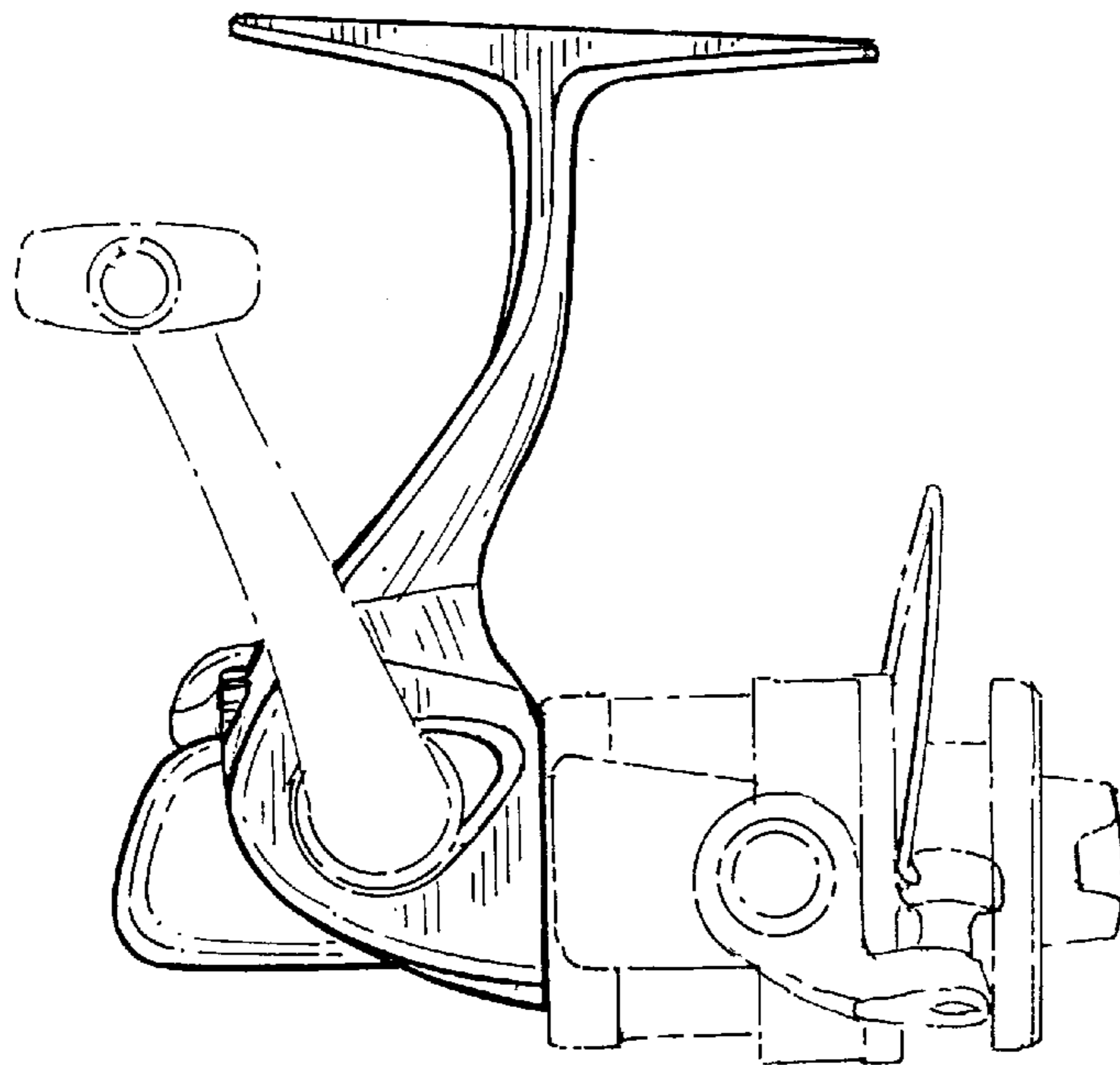


FIG. 5

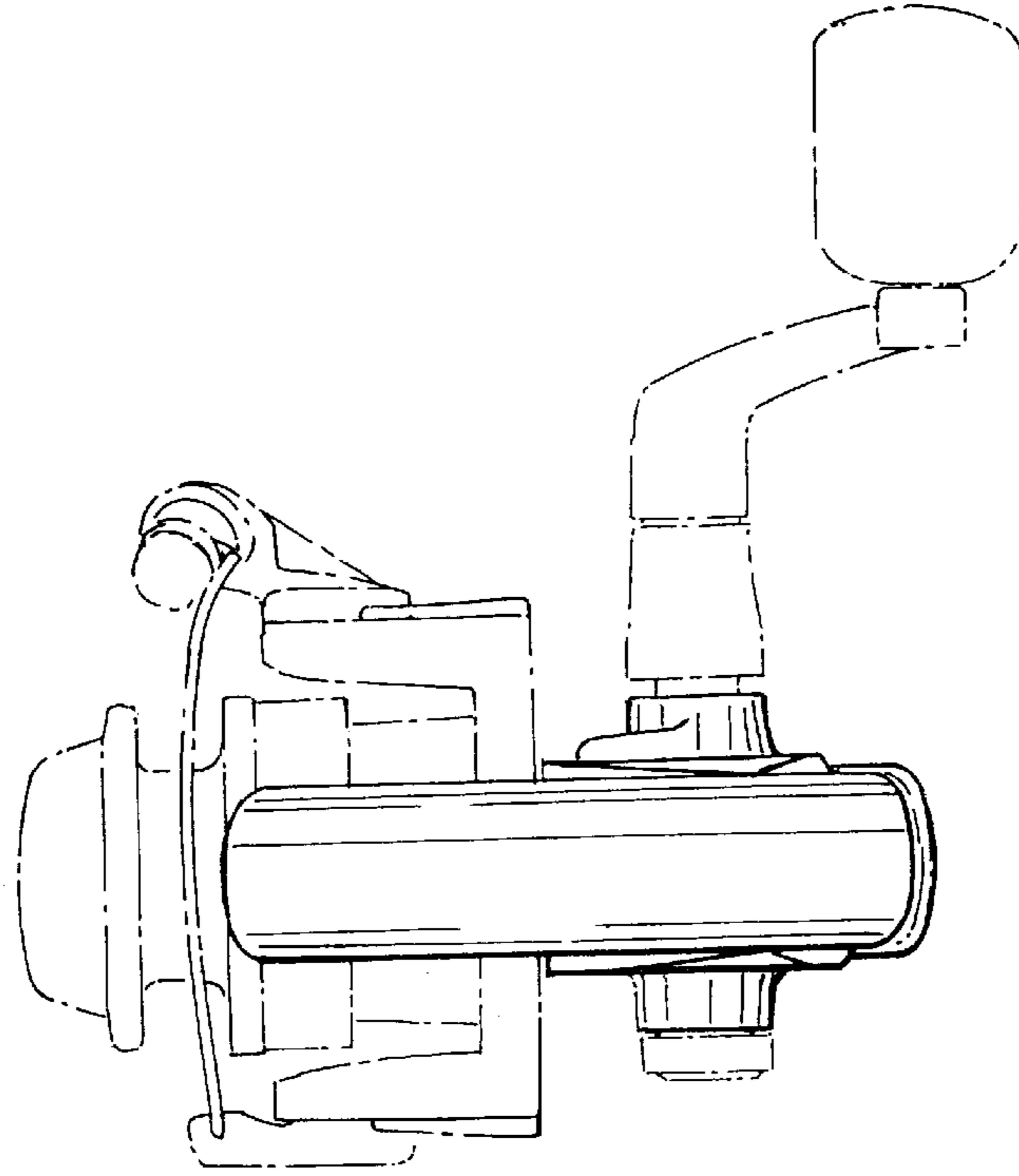


FIG. 6

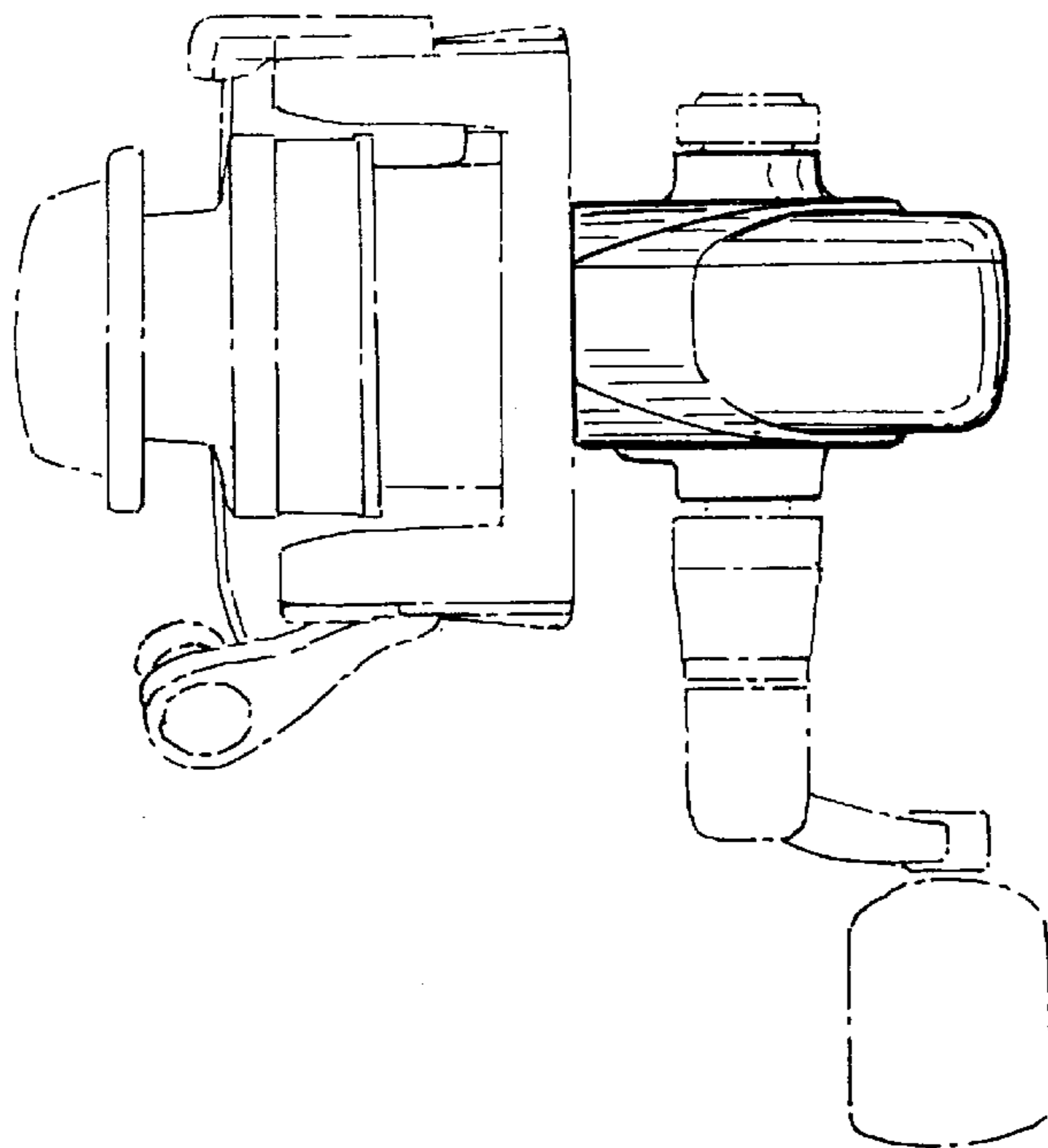


FIG. 7

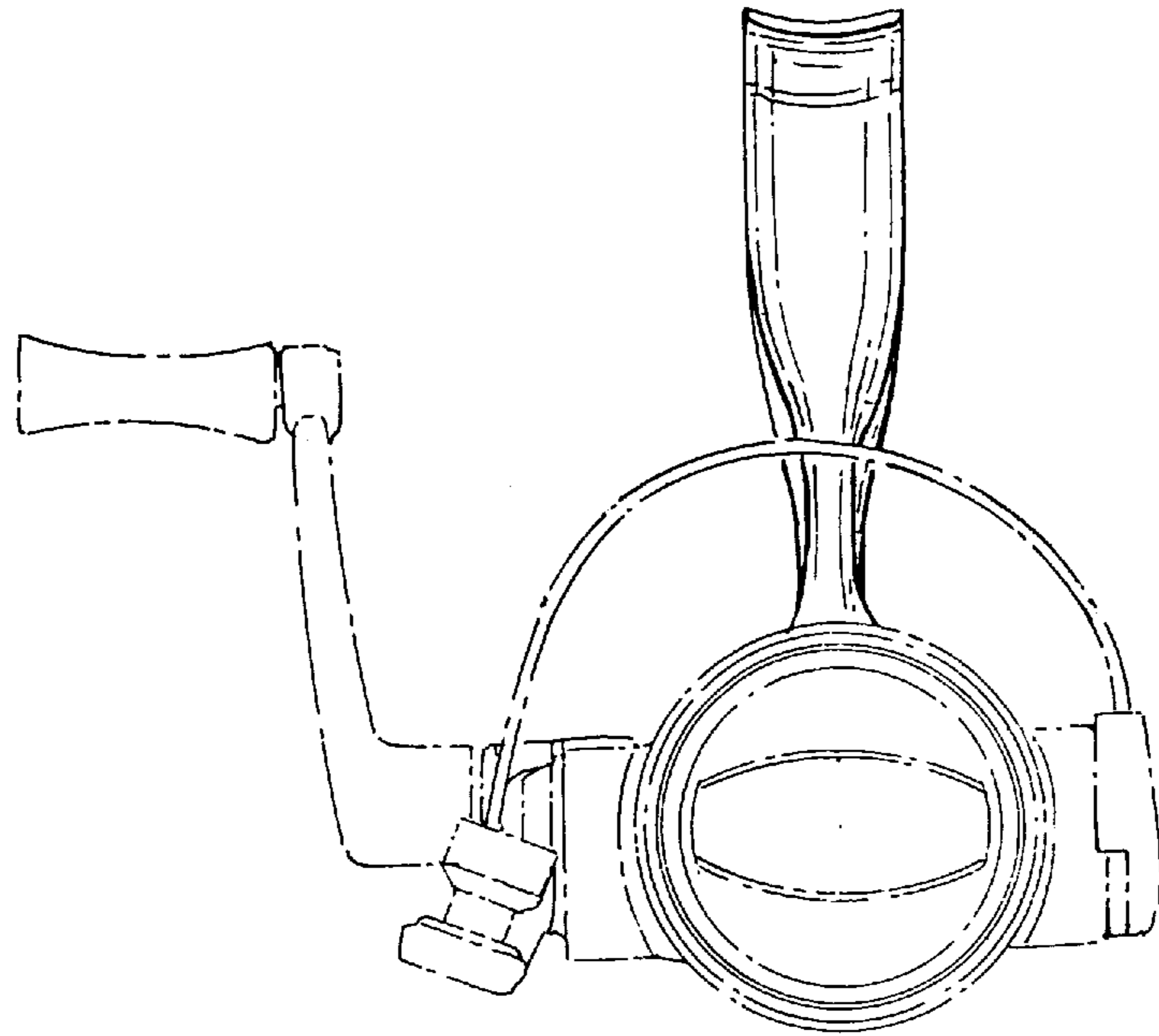


FIG. 8

