



US00D400959S

# United States Patent [19]

Moriya et al.

[11] **Patent Number: Des. 400,959**

[45] **Date of Patent: \*\*Nov. 10, 1998**

[54] **FISHING REEL**

[75] Inventors: **Katuhiro Moriya; Etsuo Hiraishi,**  
both of Chiyoda-ku, Japan

[73] Assignee: **Ryobi Ltd.,** Fuchu, Japan

[\*\*] Term: **14 Years**

[21] Appl. No.: **70,388**

[22] Filed: **Apr. 30, 1997**

[30] **Foreign Application Priority Data**

Feb. 3, 1997 [JP] Japan ..... 9-2541

[51] **LOC (6) Cl.** ..... **22-05**

[52] **U.S. Cl.** ..... **D22/141**

[58] **Field of Search** ..... D22/140, 141;  
242/223-233, 245, 246

[56] **References Cited**

**U.S. PATENT DOCUMENTS**

D. 327,526 6/1992 Shiozaki ..... D22/141

D. 329,271 9/1992 Shiozaki ..... D22/141  
D. 352,760 11/1994 Terada et al. .... D22/141  
5,605,298 2/1997 Shiozaki ..... 242/231

*Primary Examiner*—Doris V. Coles  
*Attorney, Agent, or Firm*—Oliff & Berridge, PLC

[57] **CLAIM**

The ornamental design for a fishing reel, as shown and described.

**DESCRIPTION**

FIG. 1 is a left-side view of a fishing reel according to the invention;  
FIG. 2 is a front view thereof;  
FIG. 3 is a rear view thereof;  
FIG. 4 is a right-side view thereof;  
FIG. 5 is plan view thereof;  
FIG. 6 is a bottom view thereof;  
FIG. 7 is a front perspective view thereof; and,  
FIG. 8 is a rear perspective view thereof.

**1 Claim, 4 Drawing Sheets**

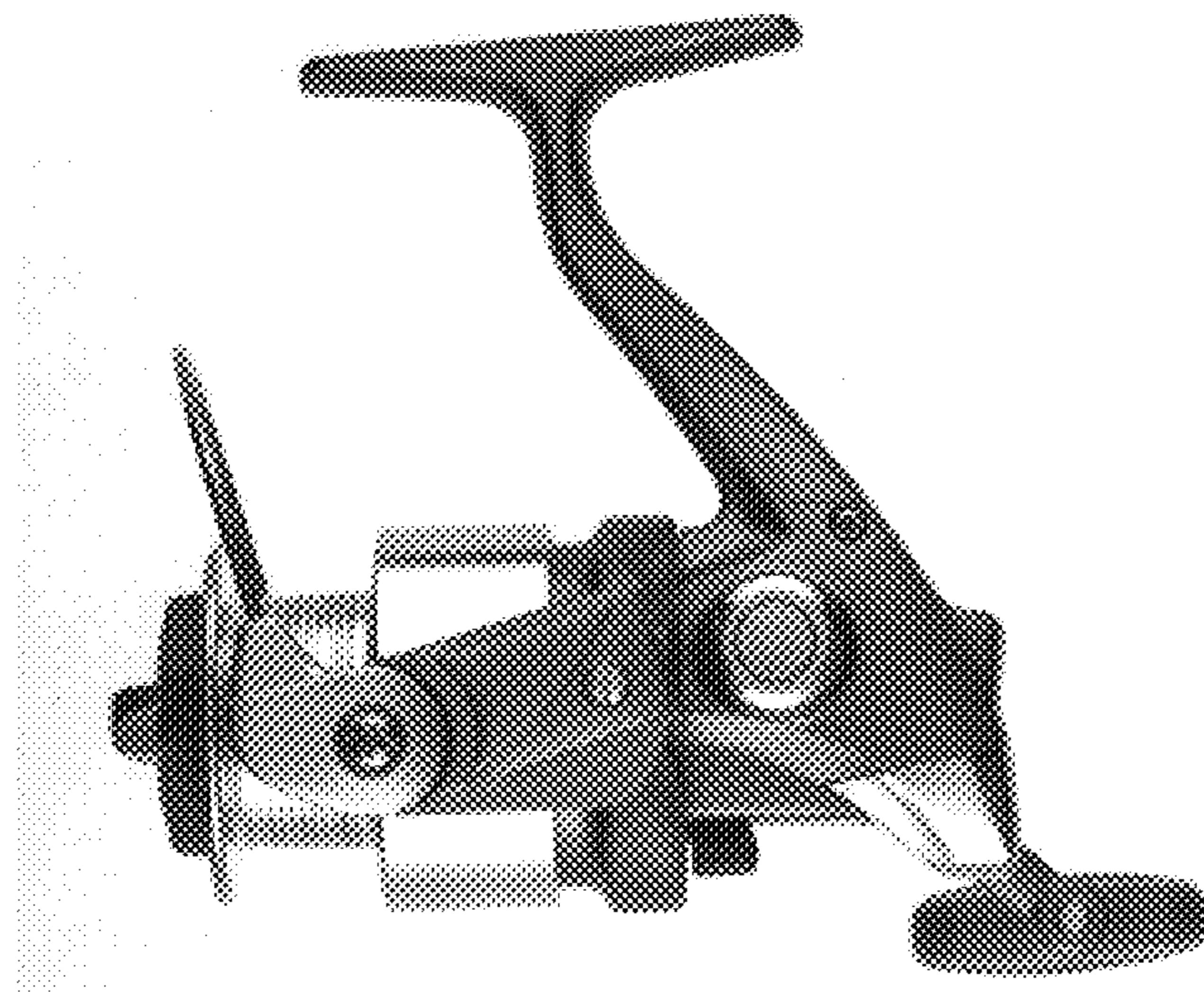


FIG. 1

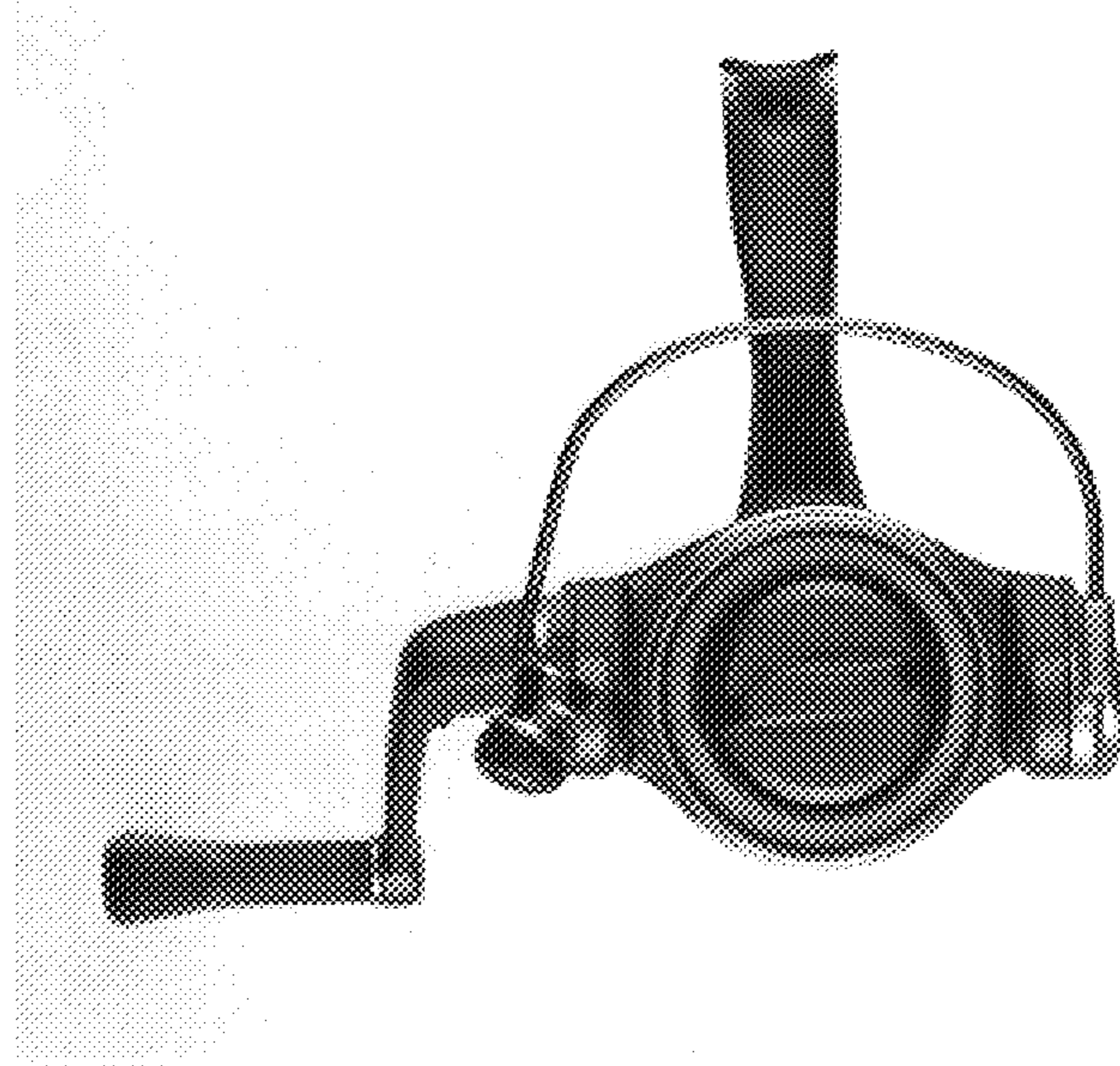


FIG. 2

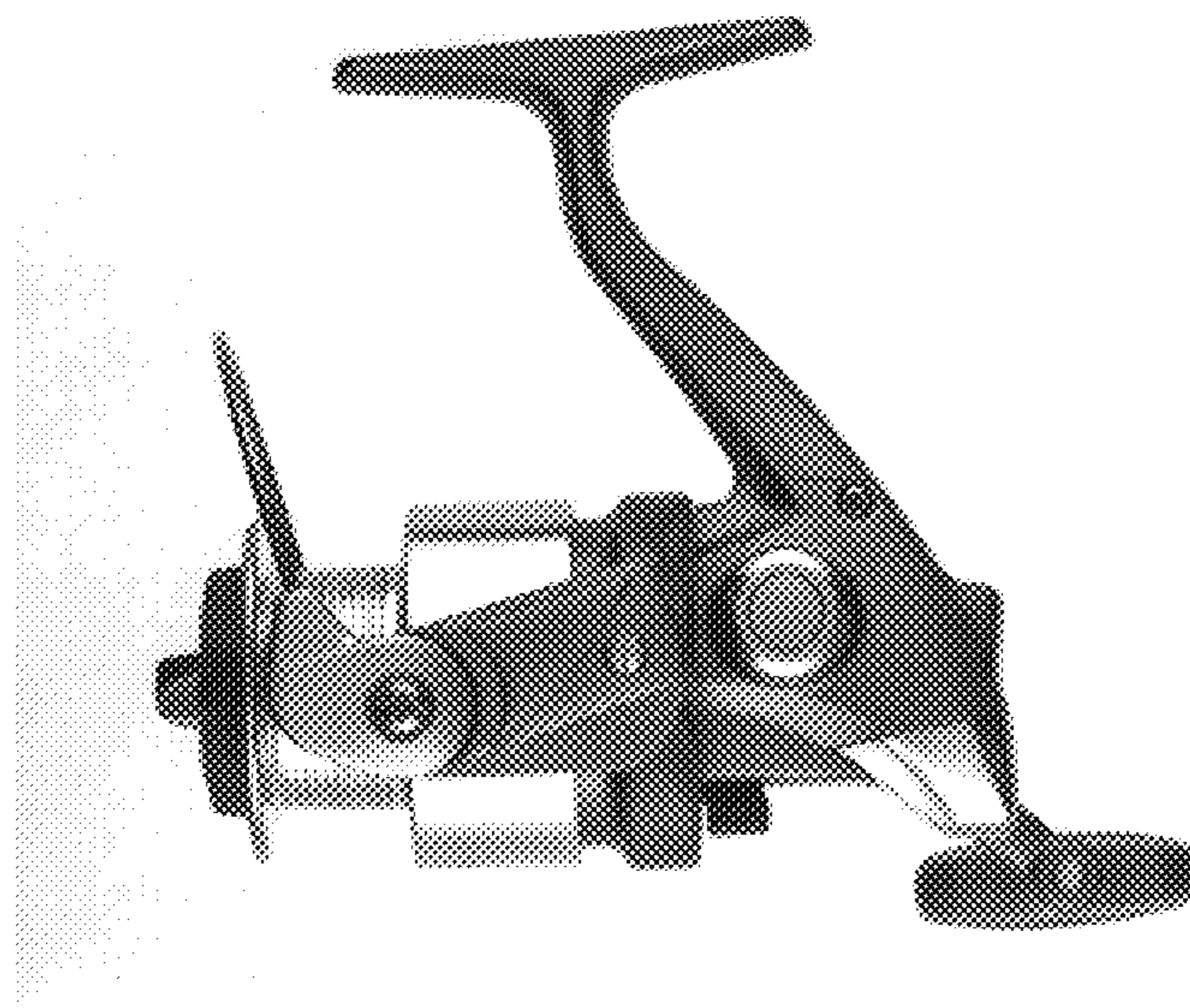


FIG. 3

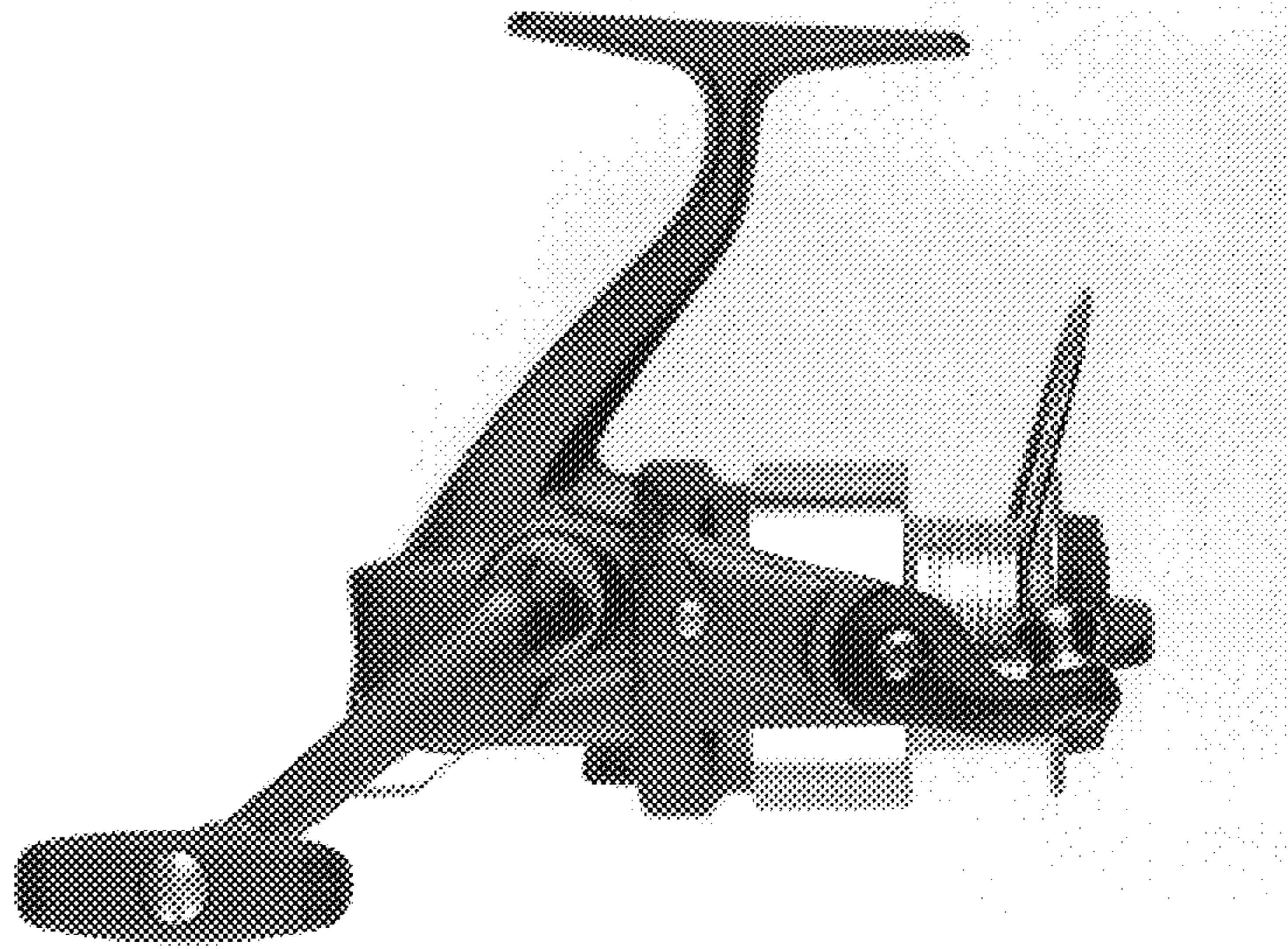


FIG. 4

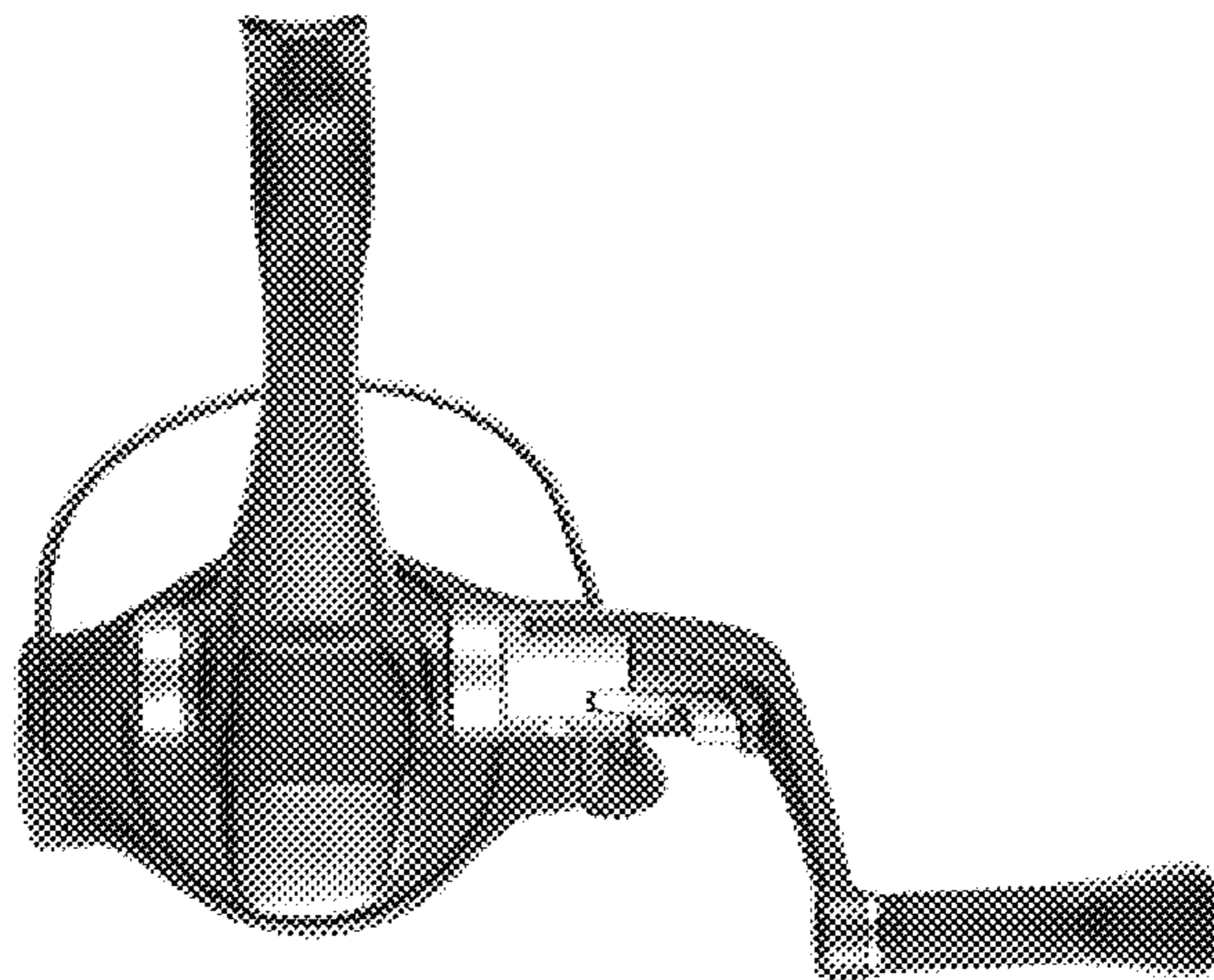


FIG. 5

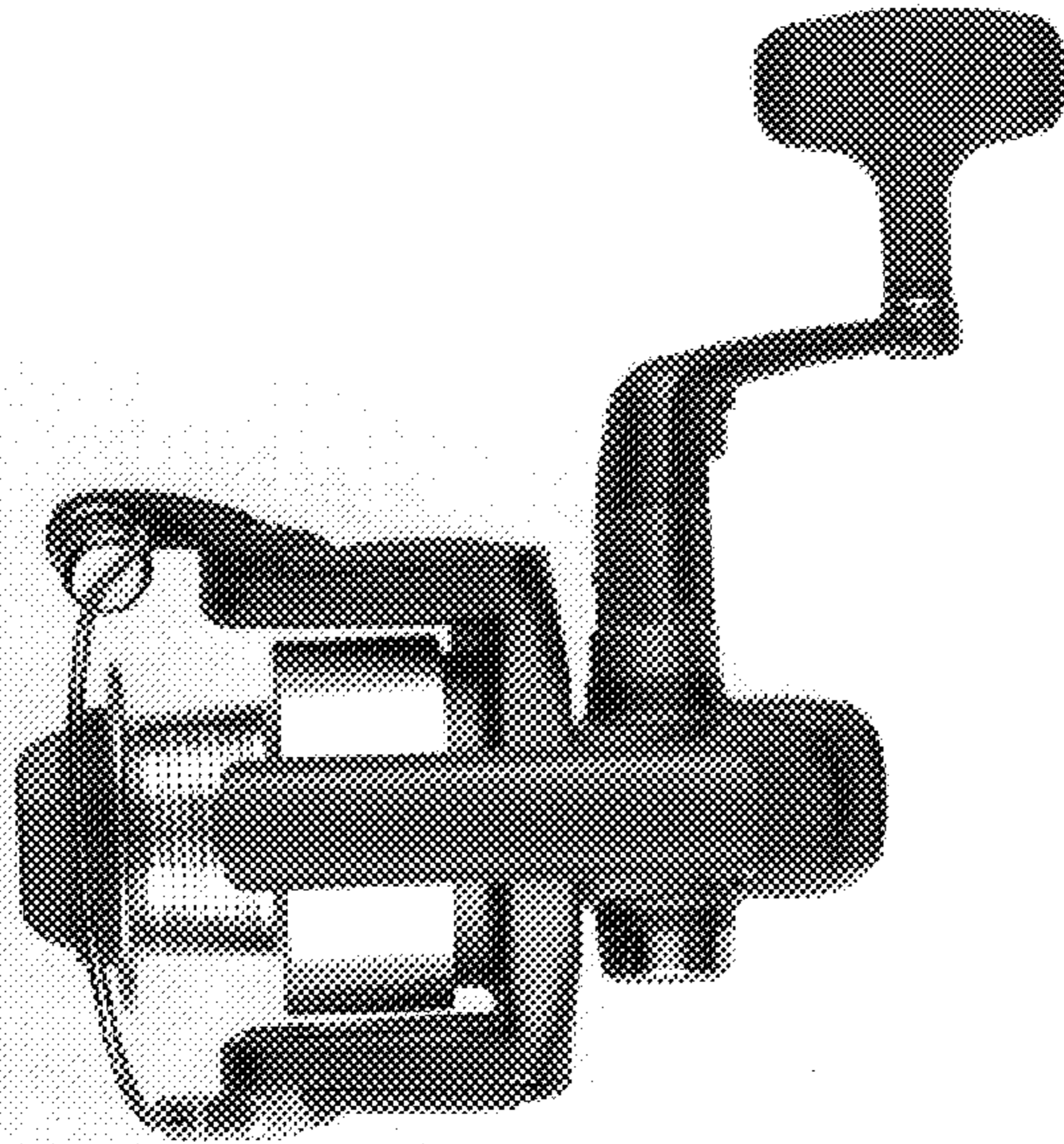


FIG. 6

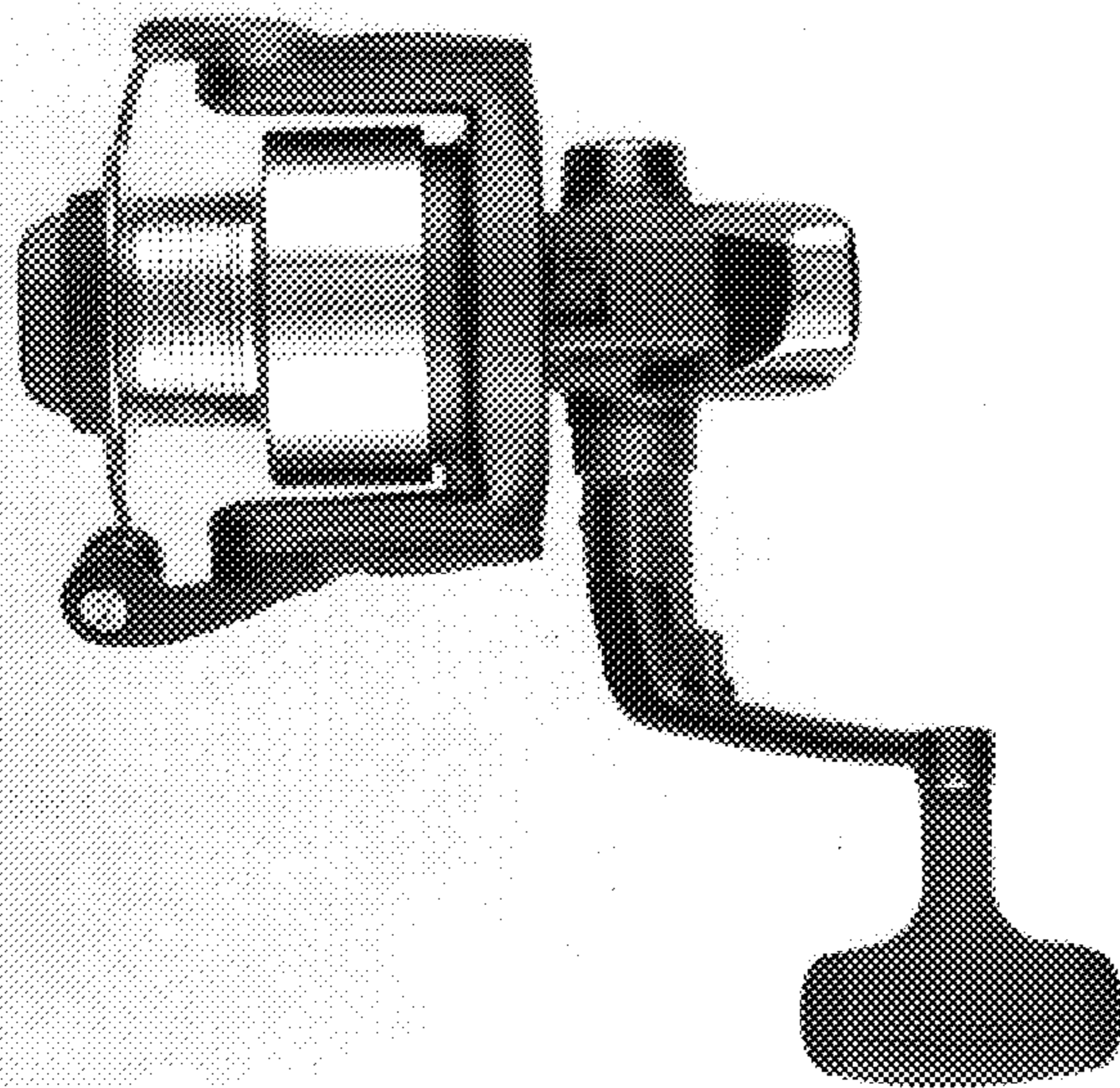


FIG. 7

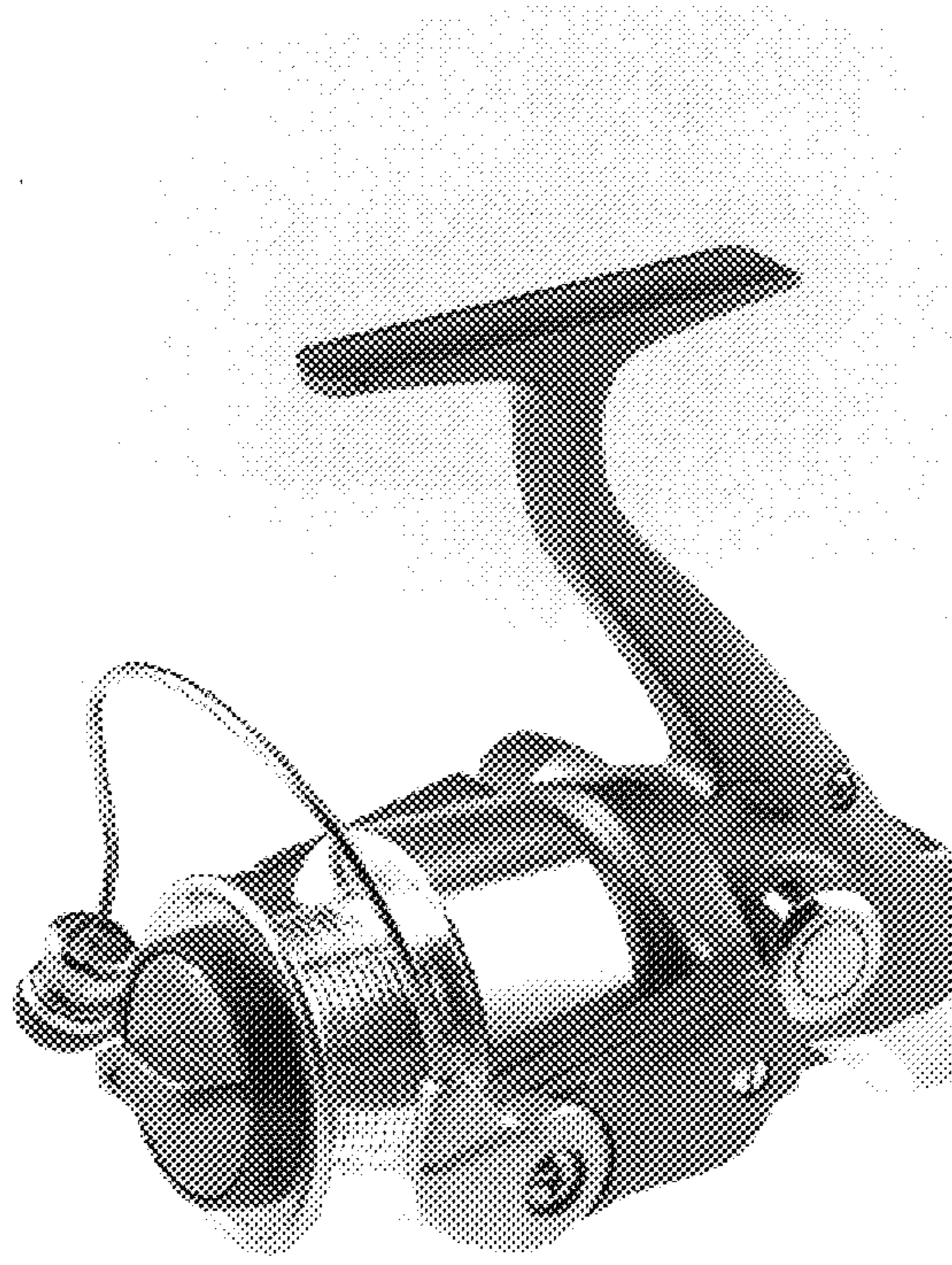


FIG. 8

