



US00D400958S

United States Patent [19]

[11] **Patent Number: Des. 400,958**

Shibata et al.

[45] **Date of Patent: **Nov. 10, 1998**

[54] **FISHING REEL HANDLE**

Attorney, Agent, or Firm—Sughrue, Mion, Zinn, Macpeak & Seas, PLLC

[75] Inventors: **Takashi Shibata; Masayoshi Fujii,**
both of Tokyo, Japan

[57] **CLAIM**

[73] Assignee: **Daiwa Seiko, Inc.,** Tokyo, Japan

The ornamental design for a fishing reel handle, as shown and described.

[**] Term: **14 Years**

DESCRIPTION

[21] Appl. No.: **79,173**

FIG. 1 is a perspective view of the front, top and one side of a fishing reel handle according to a first embodiment showing our new design;

[22] Filed: **Oct. 23, 1997**

FIG. 2 is a front elevational view thereof;

[30] **Foreign Application Priority Data**

FIG. 3 is a top plan view thereof;

Apr. 25, 1997 [JP] Japan 9-52805

FIG. 4 is a side elevational view of said one side thereof, the opposite side being a mirror image thereof;

May 30, 1997 [JP] Japan 9-56328

FIG. 5 is a bottom plan view thereof;

[51] **LOC (6) Cl. 22-05**

FIG. 6 is a rear elevational view thereof;

[52] **U.S. Cl. D22/140; D22/141**

FIG. 7 is another top plan view, the broken line showing of environment is for illustrative purposes only and forms no part of claimed design;

[58] **Field of Search D22/140, 141,**
D22/137; 242/279, 310, 268, 257-262,
311, 312, 283, 288, 313

FIG. 8 is a perspective view of the top, front and one side of a fishing reel handle according to a second embodiment showing our new design;

[56] **References Cited**

FIG. 9 is a front elevational view thereof;

U.S. PATENT DOCUMENTS

FIG. 10 is a top plan view thereof;

D. 352,763 11/1994 Myojo et al. D22/141

FIG. 11 is a side elevational view of said one side thereof, the opposite side being a mirror image thereof;

FOREIGN PATENT DOCUMENTS

FIG. 12 is a bottom plan view thereof;

918485 2/1995 Japan .

FIG. 13 is a rear elevational view thereof; and,

918492 2/1995 Japan .

FIG. 14 is another top plan view, the broken line showing of environment is for illustrative purposes only and forms no part of claimed design.

947211 2/1996 Japan .

961894 9/1996 Japan .

962519 9/1996 Japan .

Primary Examiner—Doris V. Coles

1 Claim, 4 Drawing Sheets

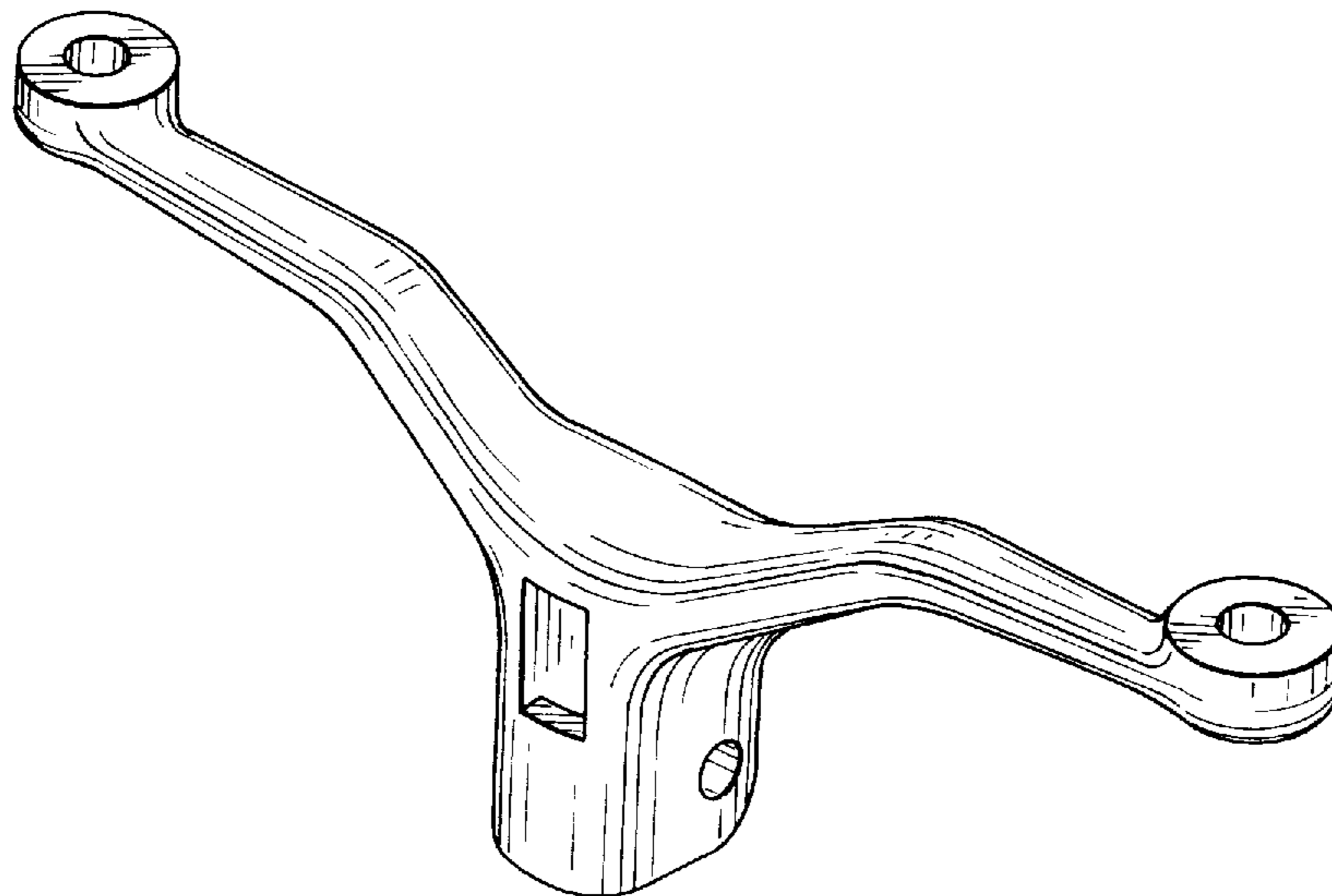


FIG. 1

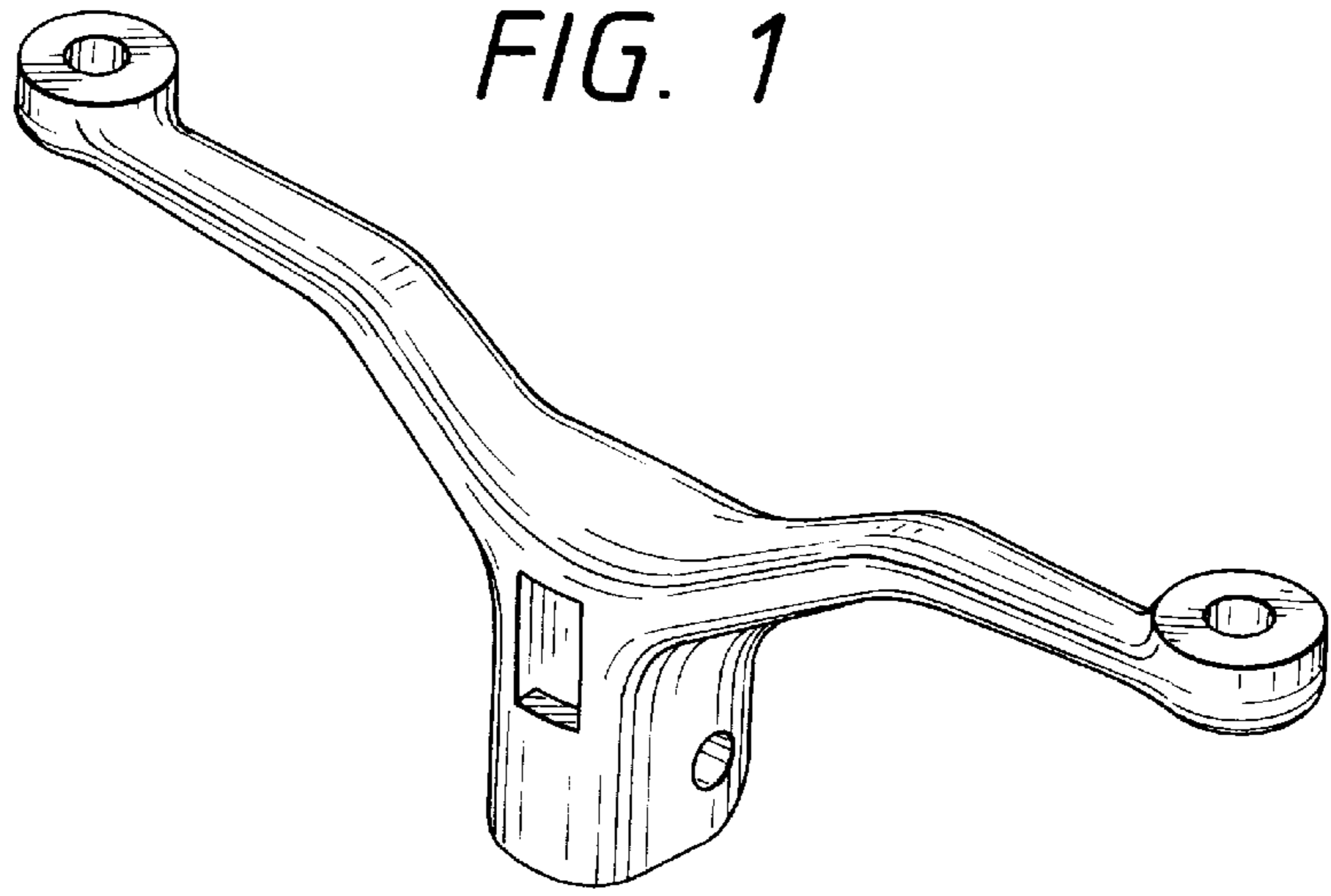


FIG. 2

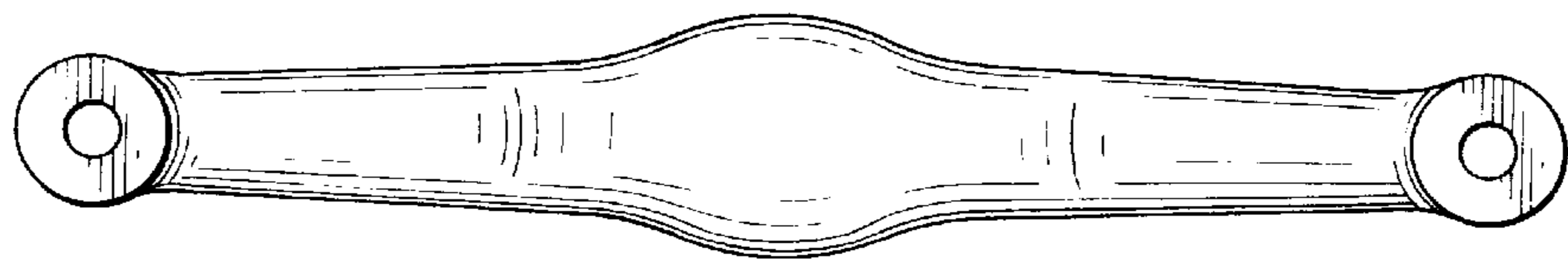


FIG. 3

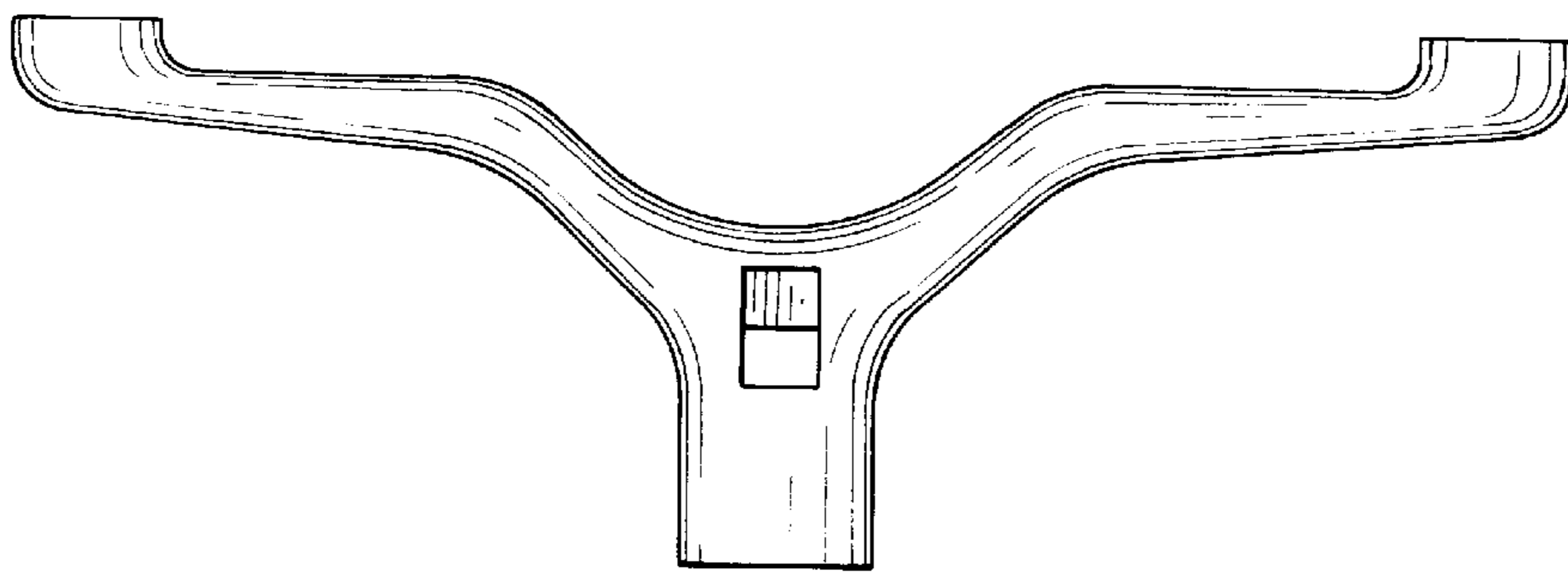


FIG. 4

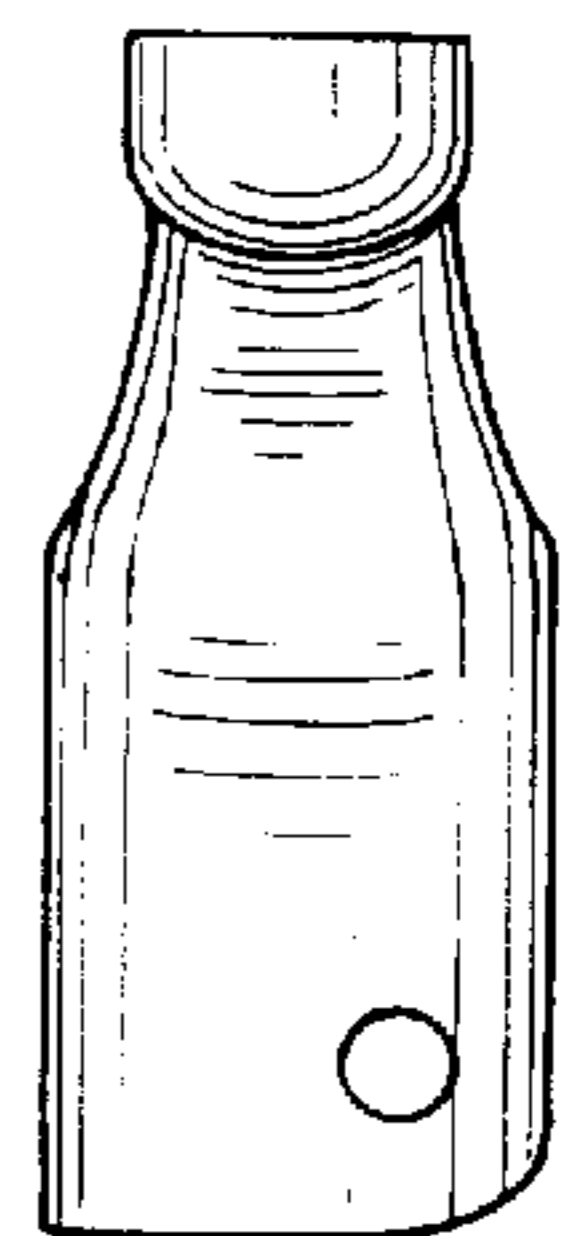


FIG. 5

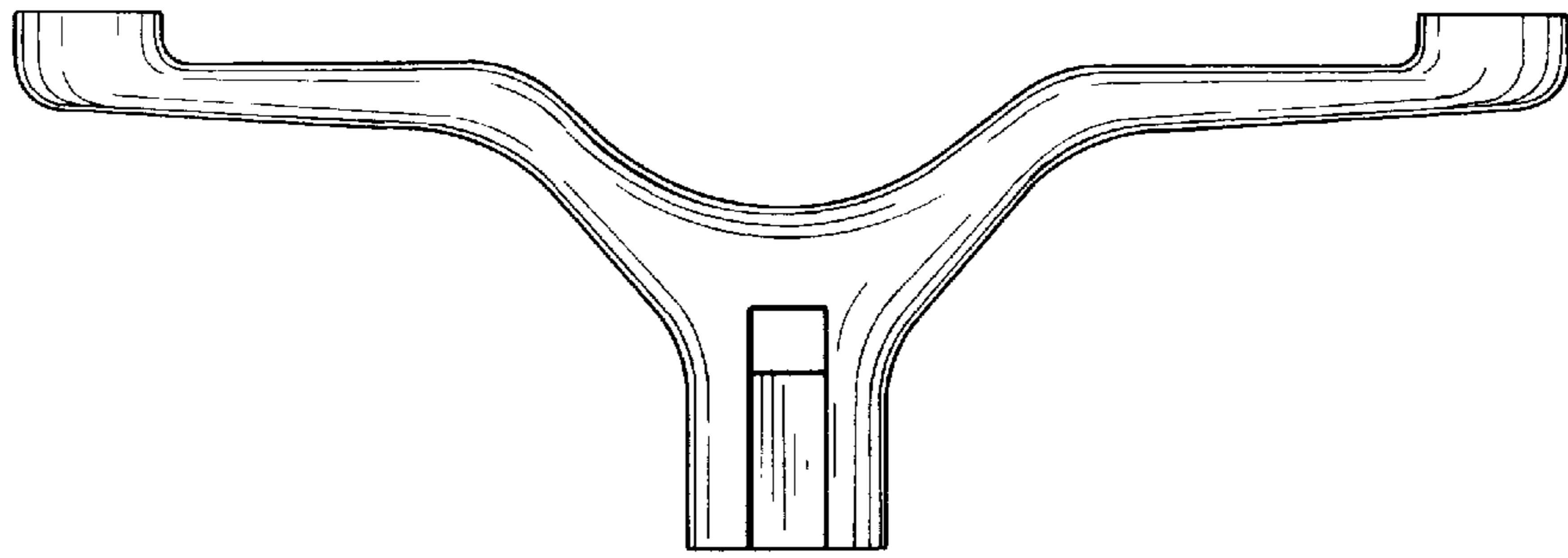


FIG. 6

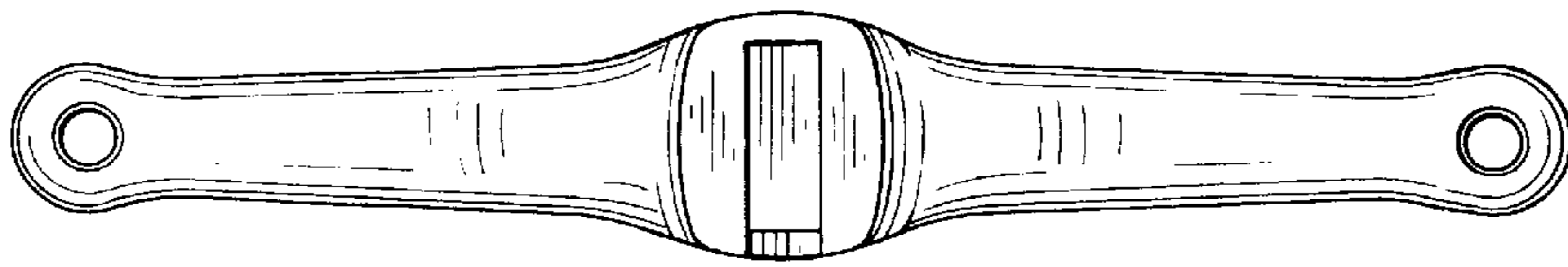


FIG. 7

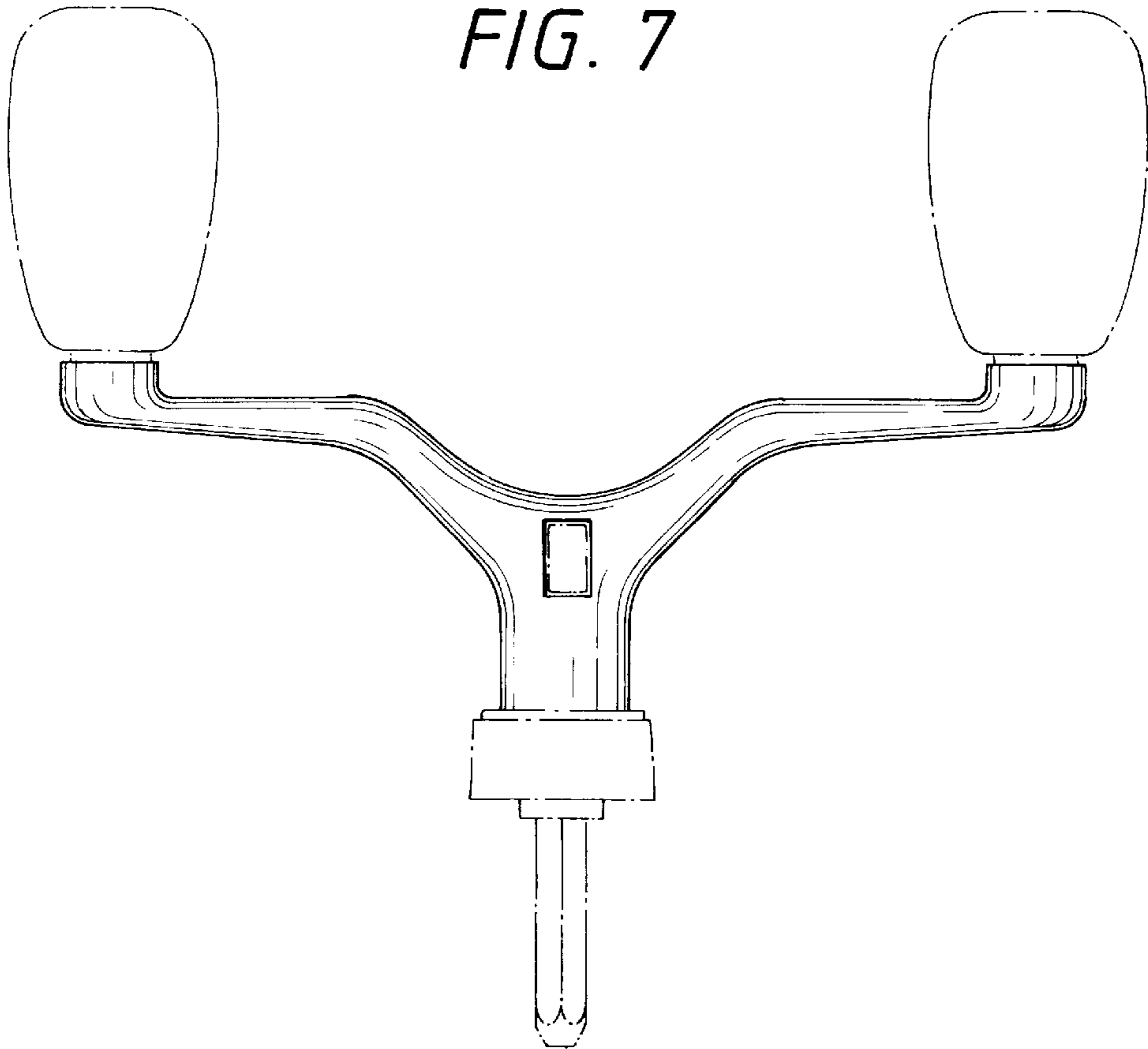


FIG. 8

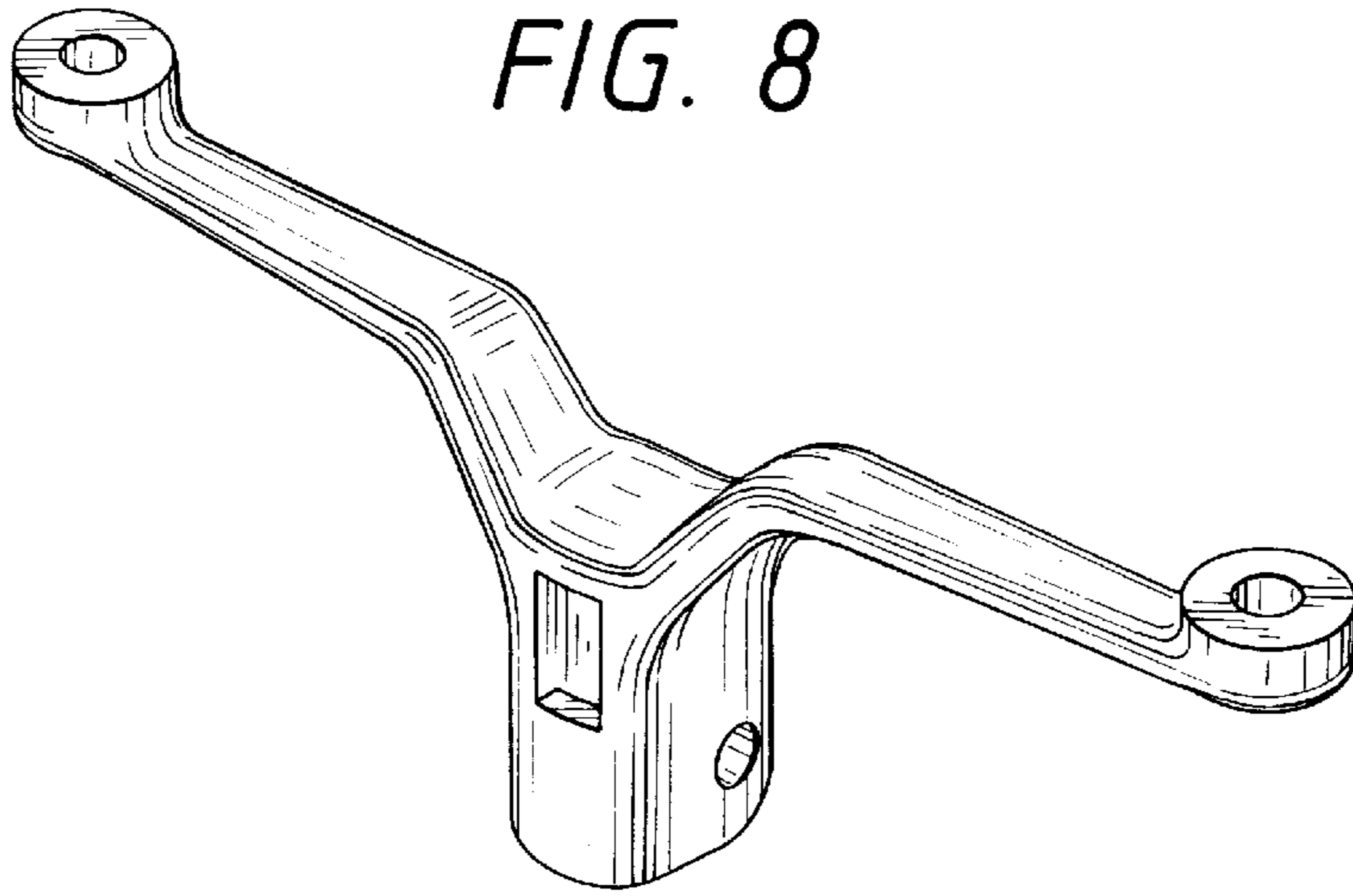


FIG. 9

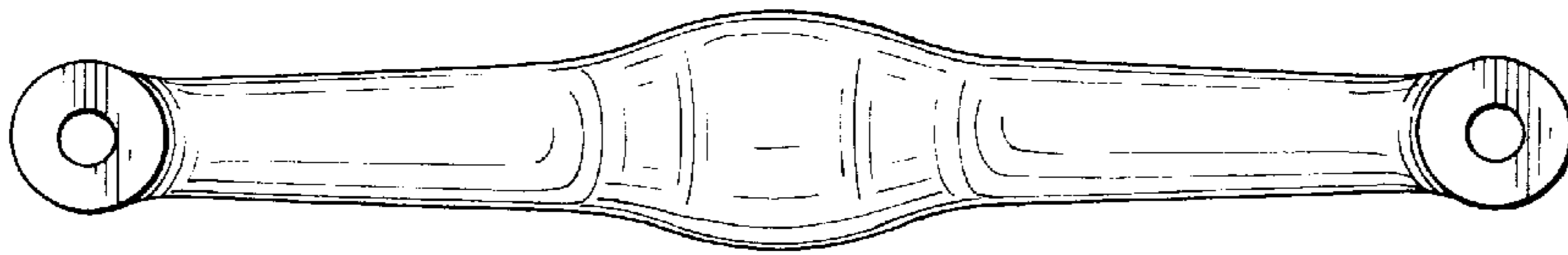


FIG. 10

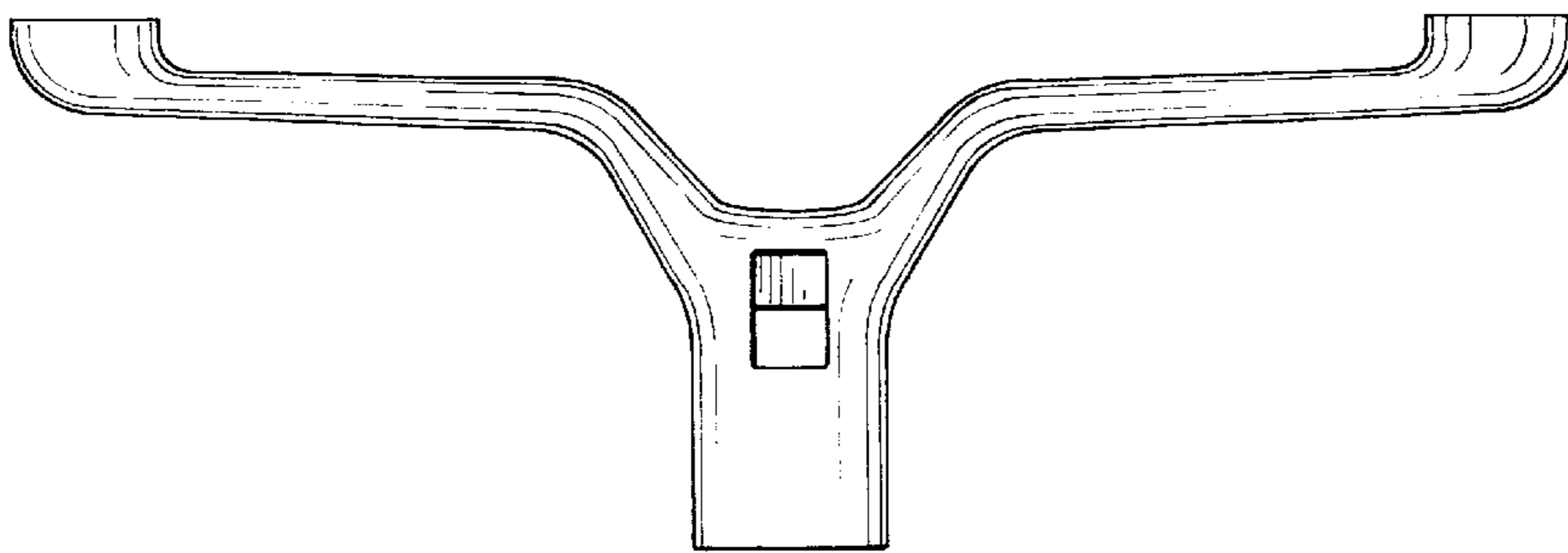


FIG. 11



FIG. 12

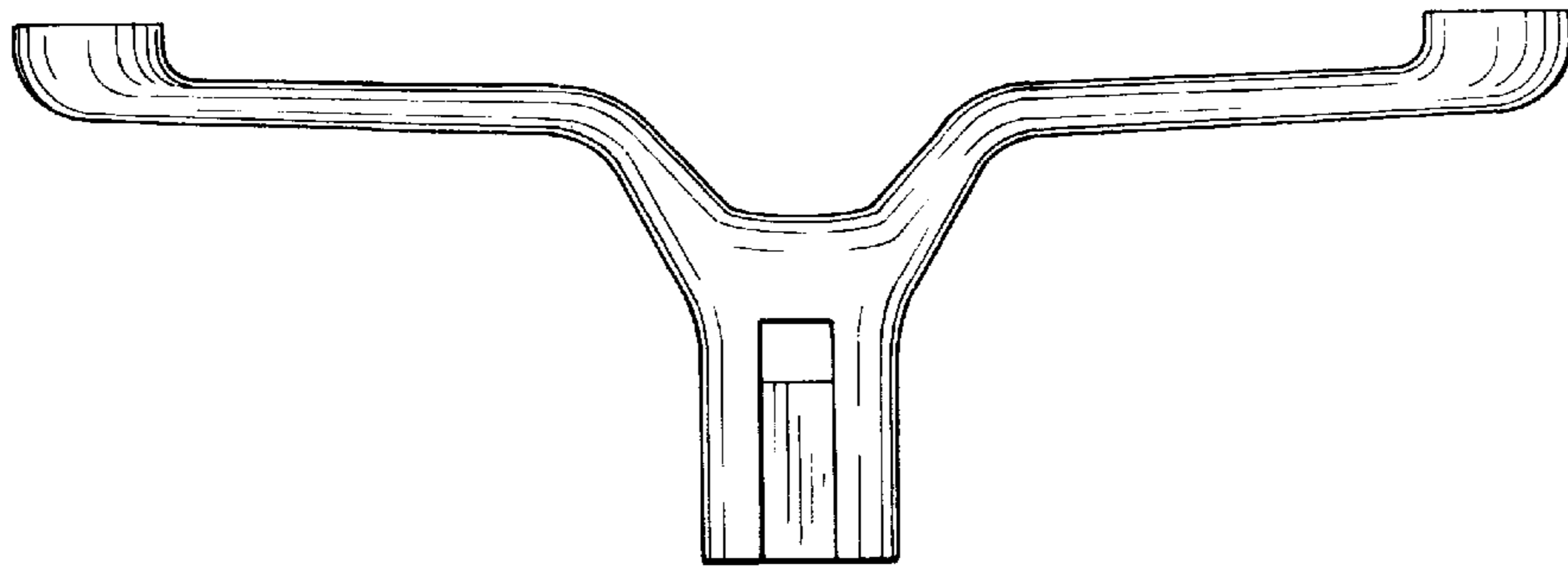


FIG. 13

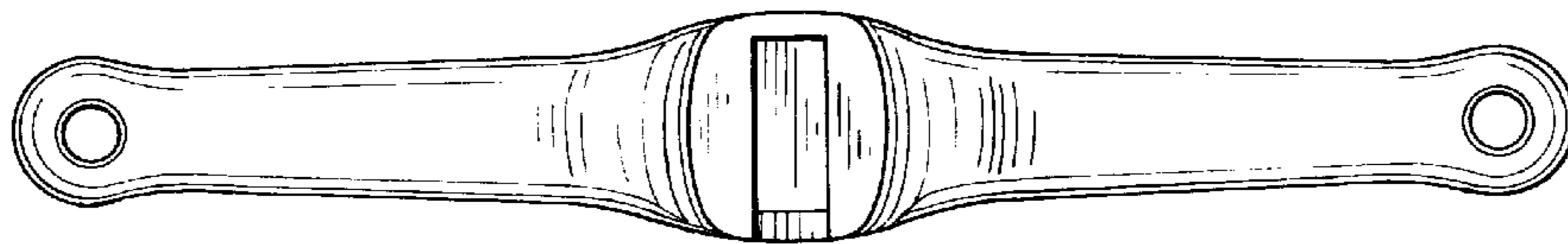


FIG. 14

