

US00D400957S

# United States Patent [19]

Botruff et al.

[11] **Patent Number: Des. 400,957**

[45] **Date of Patent: \*\*Nov. 10, 1998**

[54] **HUNTING ARROW WITH ATTACHED SIGNAL-GENERATING DEVICE**

2,873,973	2/1959	Hauch	.....	473/583
3,672,677	6/1972	Moore	.....	473/578
3,759,519	9/1973	Palma	.....	473/578
3,854,723	12/1974	Wilson	.....	473/586

[76] Inventors: **Andrew Botruff**, 6894 Westwood, Detroit, Mich. 48228; **Elmer Botruff**, 26906 W. Chicago, Redford, Mich. 48239

*Primary Examiner*—Louis S. Zarfaz  
*Assistant Examiner*—Monica A. Weingart  
*Attorney, Agent, or Firm*—Harpman & Harpman

[\*\*] Term: **14 Years**

### [57] CLAIM

[21] Appl. No.: **68,011**

We claim the ornamental design for a hunting arrow with attached signal-generating device, as shown and described.

[22] Filed: **Mar. 14, 1997**

### DESCRIPTION

[51] **LOC (6) Cl.** ..... **22-03**

[52] **U.S. Cl.** ..... **D22/115; D22/107; D22/100; D22/199**

[58] **Field of Search** ..... D22/100, 107, D22/115, 199; D21/49; 473/578, 582, 583, 585, 586

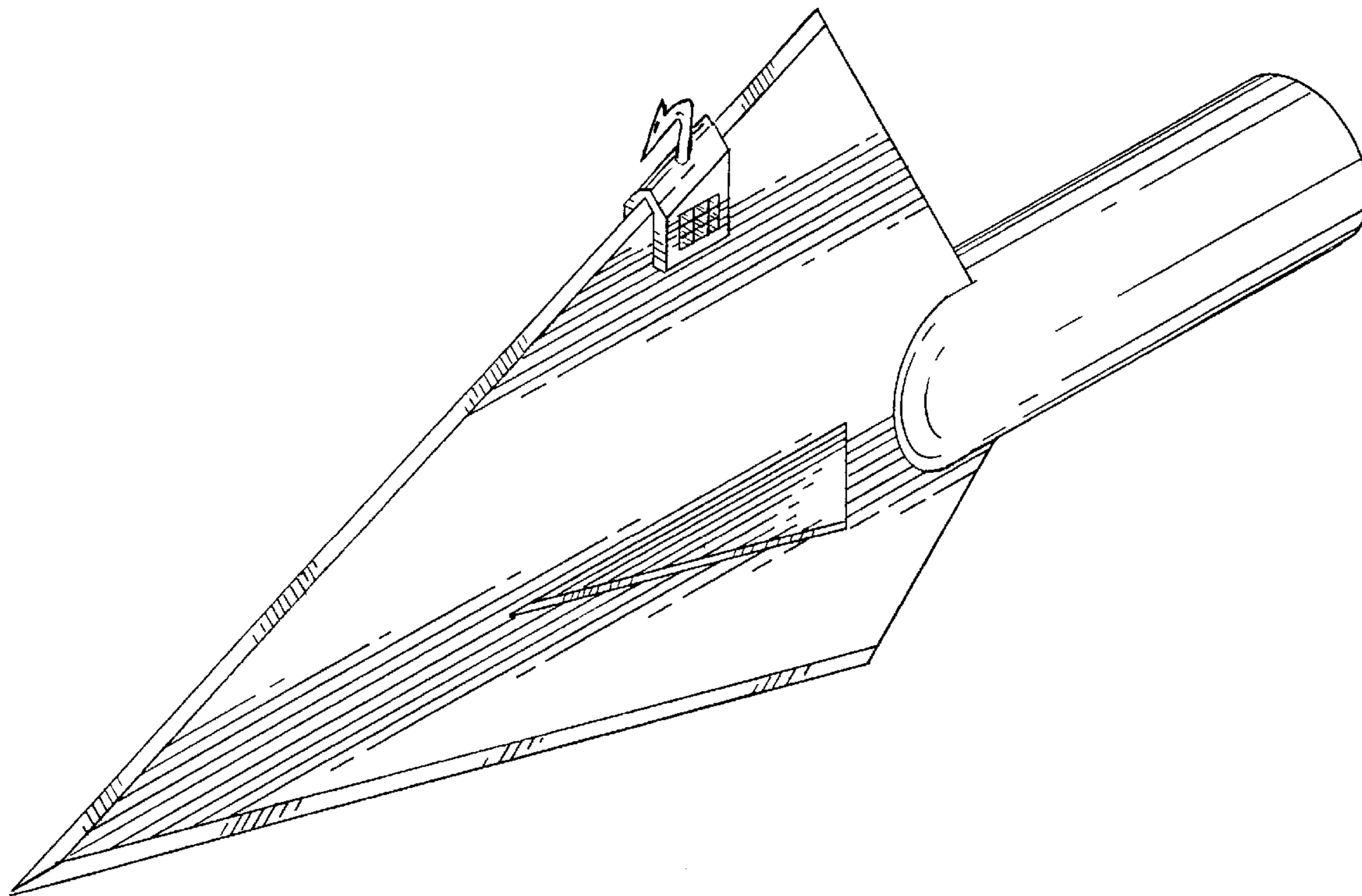
FIG. 1 is a front, top and side perspective view of the hunting arrow with attached signal-generating device embodying the design of the present invention;  
FIG. 2 is a front elevational view thereof;  
FIG. 3 is a rear elevational view thereof;  
FIG. 4 is a side elevational view thereof, the opposite side elevational view being identical thereto;  
FIG. 5 is a top plan view thereof; and,  
FIG. 6 is a bottom plan view thereof.

### [56] References Cited

#### U.S. PATENT DOCUMENTS

D. 219,873	2/1971	Ritchie	.....	473/582
2,137,014	11/1938	Brochu	.....	473/583

**1 Claim, 3 Drawing Sheets**



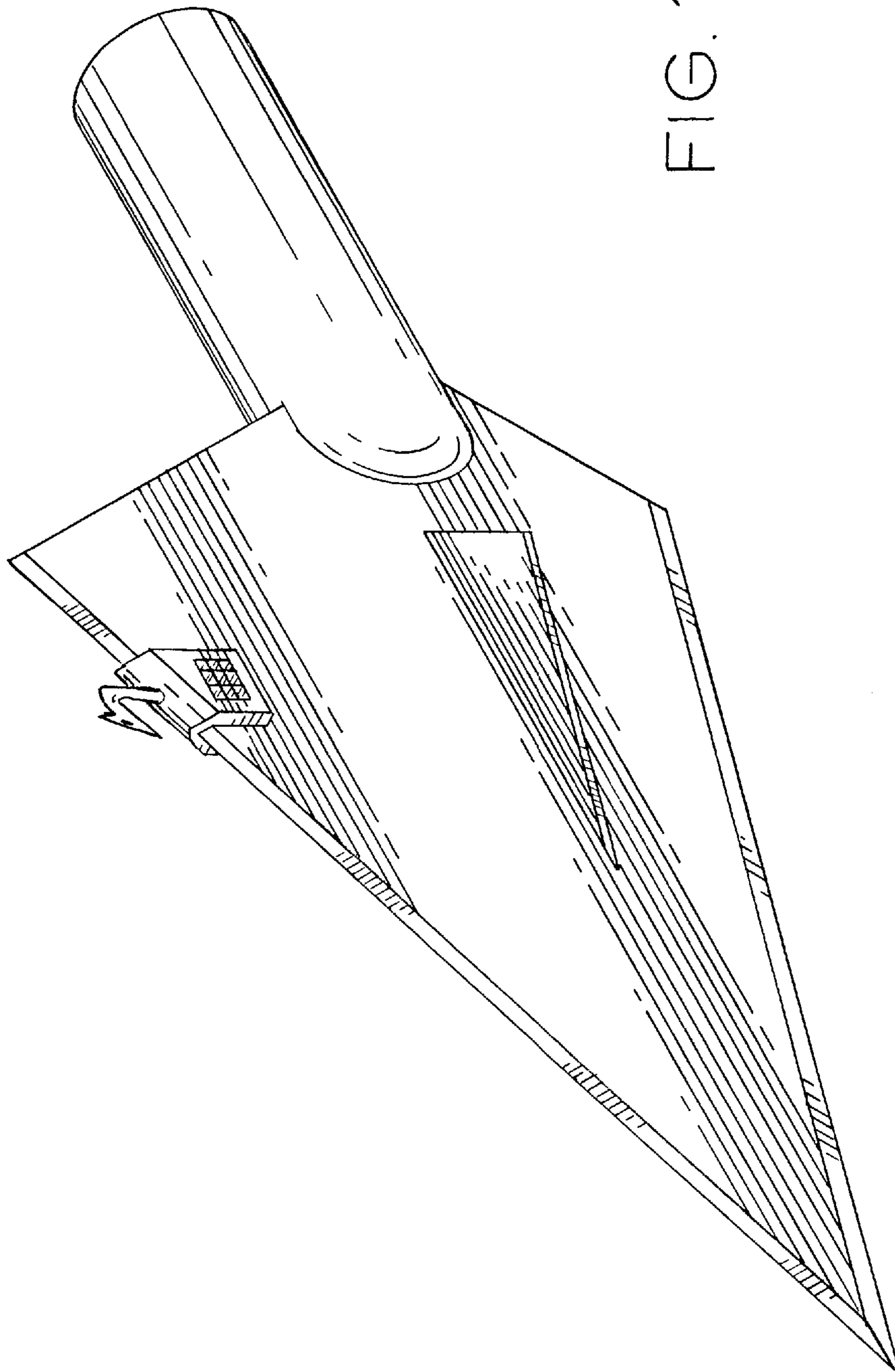


FIG. 1

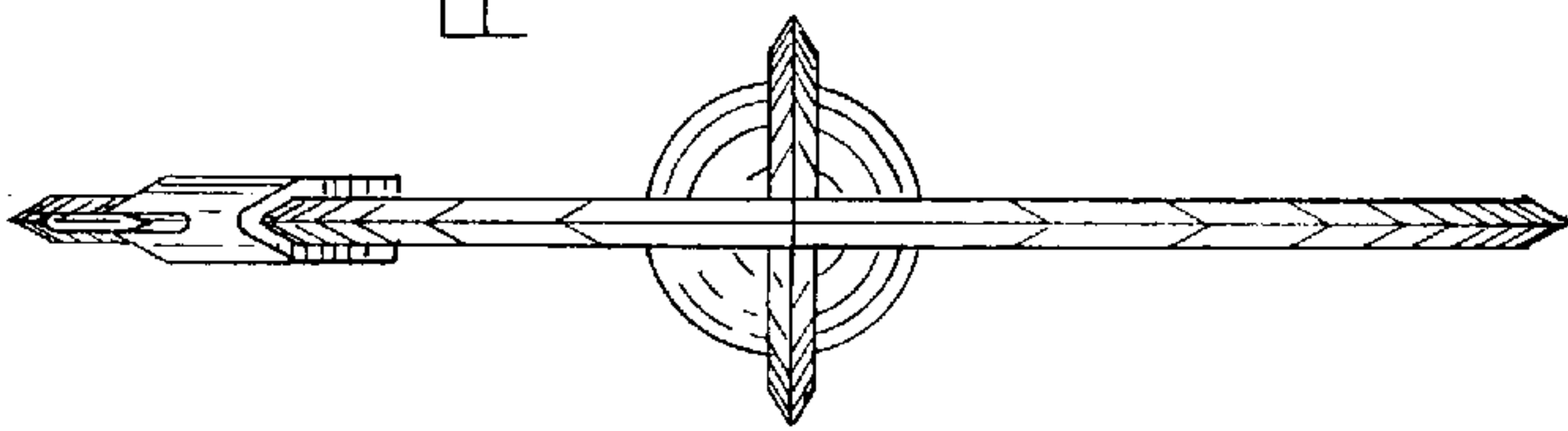


FIG. 2

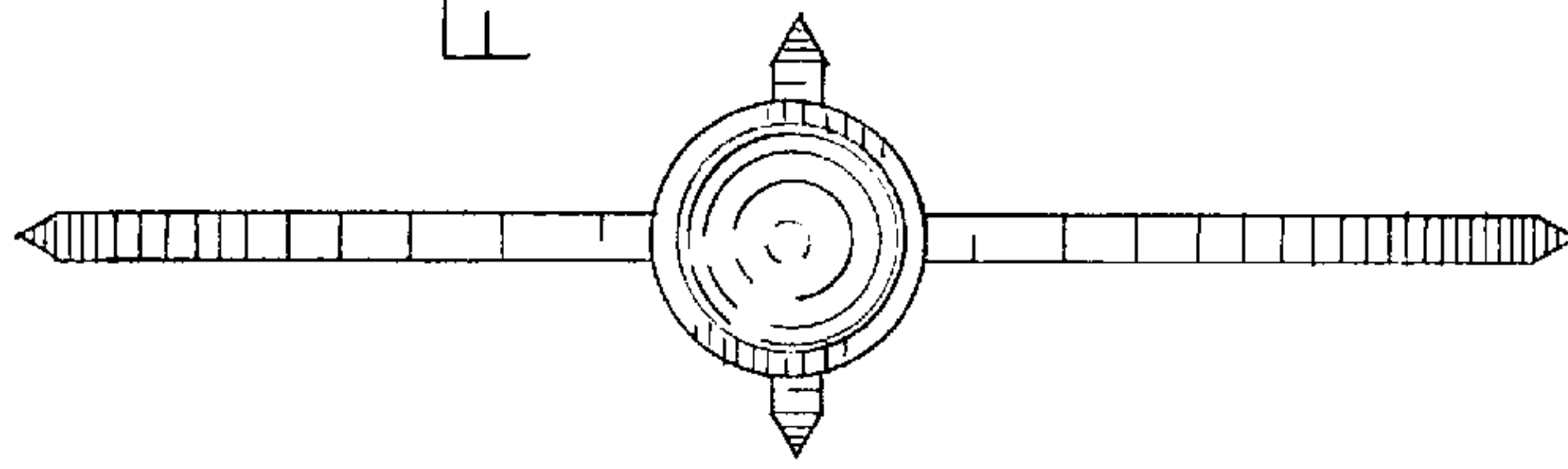


FIG. 3

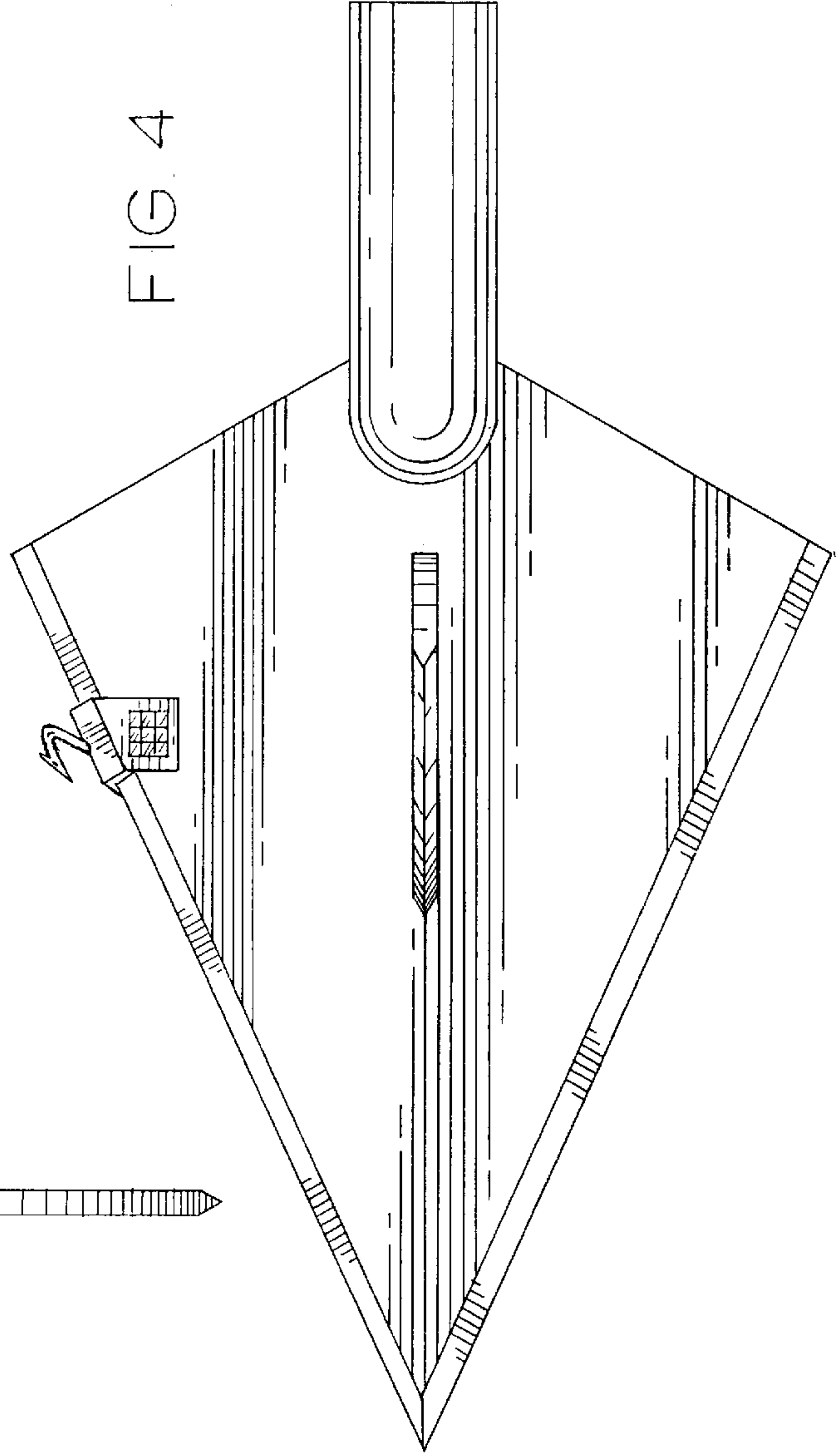


FIG. 4

