



US00D400956S

United States Patent [19] Guined

[11] **Patent Number: Des. 400,956**

[45] **Date of Patent: **Nov. 10, 1998**

[54] **COMBINATION POWDER CHARGE FLASK,
SHORT STARTER, AND PATCH AND BALL
RETAINING COLLAR**

5,419,071 5/1995 Fatica 42/90

[75] Inventor: **J. Michael Guined**, 1050 Hoyt St. SE.,
Salem, Oreg. 97302

Primary Examiner—Louis S. Zarfes
Assistant Examiner—Monica A. Weingart
Attorney, Agent, or Firm—Klarquist Sparkman Campbell
Leigh & Winston, LLP

[73] Assignee: **J. Michael Guined**, Salem, Oreg.

[57] **CLAIM**

[**] Term: **14 Years**

The ornamental design for a combination powder charge flask, short starter, and patch and ball retaining collar, as shown and described.

[21] Appl. No.: **69,680**

DESCRIPTION

[22] Filed: **Apr. 1, 1997**

[51] **LOC (6) Cl.** **22-01**

FIG. 1 is a top perspective view of a combination powder charge flask, short starter, and patch and ball retaining collar showing my new design;

[52] **U.S. Cl.** **D22/108; D22/199**

FIG. 2 is a bottom perspective view thereof;

[58] **Field of Search** D22/100, 108,
D22/199; 42/90; 86/33

FIG. 3 is a right side elevation thereof, the left side elevation being a mirror image thereof;

[56] **References Cited**

U.S. PATENT DOCUMENTS

D. 368,511	4/1996	Williams	D22/108
2,633,771	4/1953	Crandall	86/33
2,820,392	1/1958	Schmidt	86/33
4,890,535	1/1990	Bieber	86/33

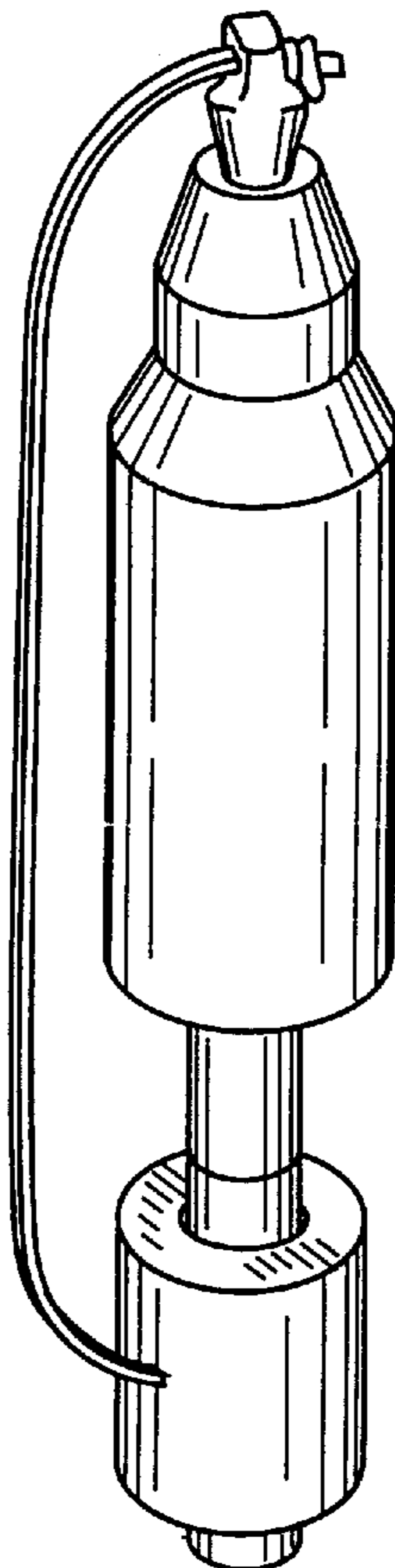
FIG. 4 is a front elevation view thereof;

FIG. 5 is a rear elevation view thereof;

FIG. 6 is a top plan view thereof, and,

FIG. 7 is a bottom plan view thereof.

1 Claim, 1 Drawing Sheet



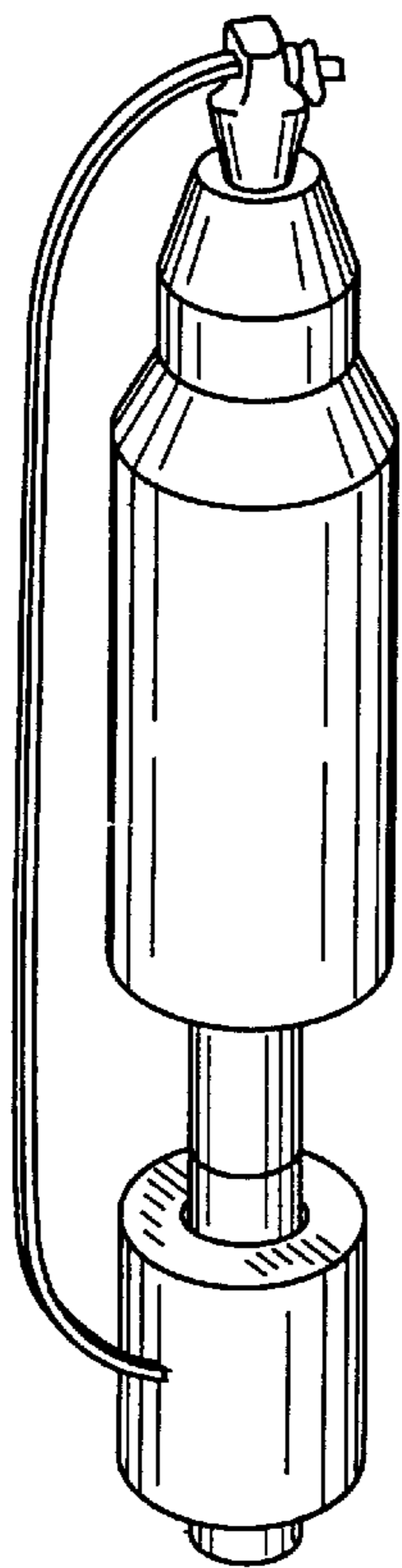


FIG. 1

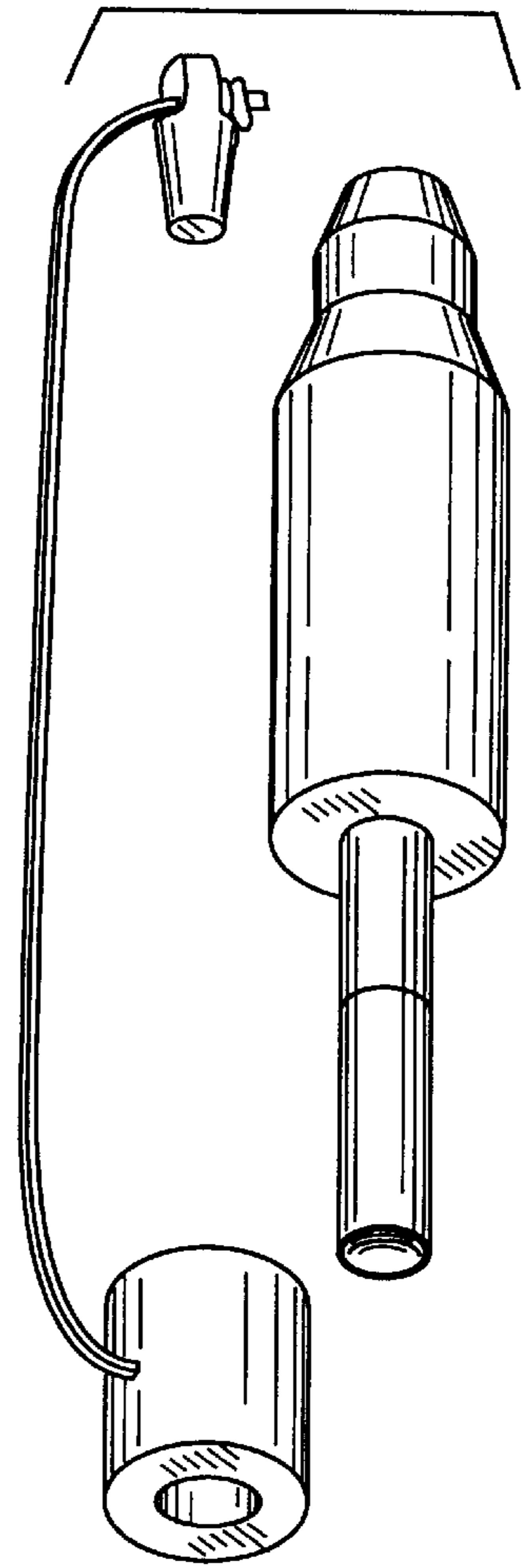


FIG. 2

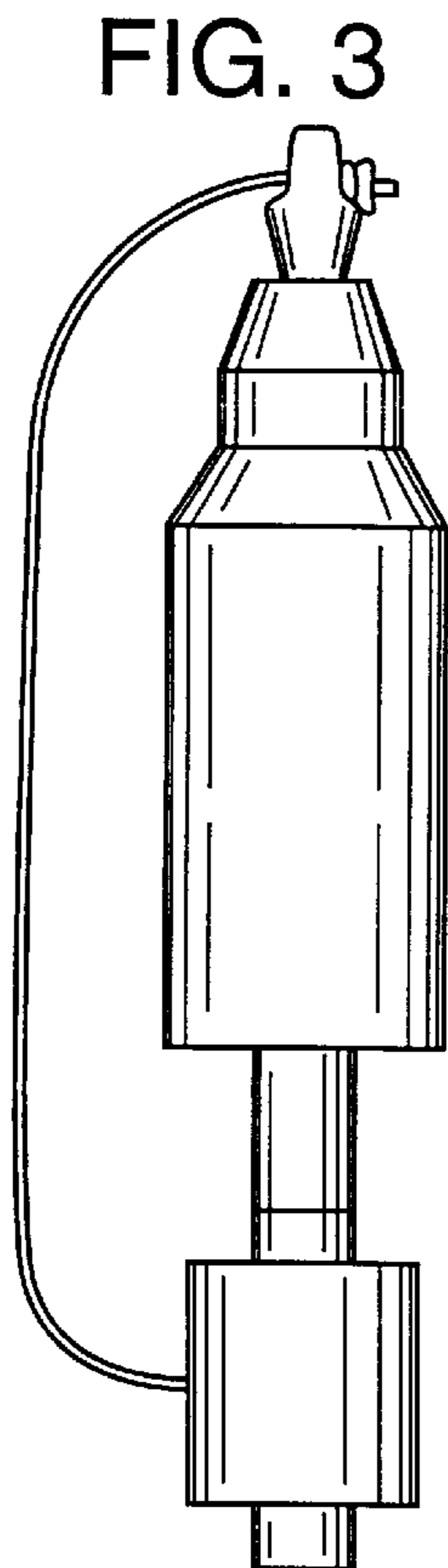


FIG. 3

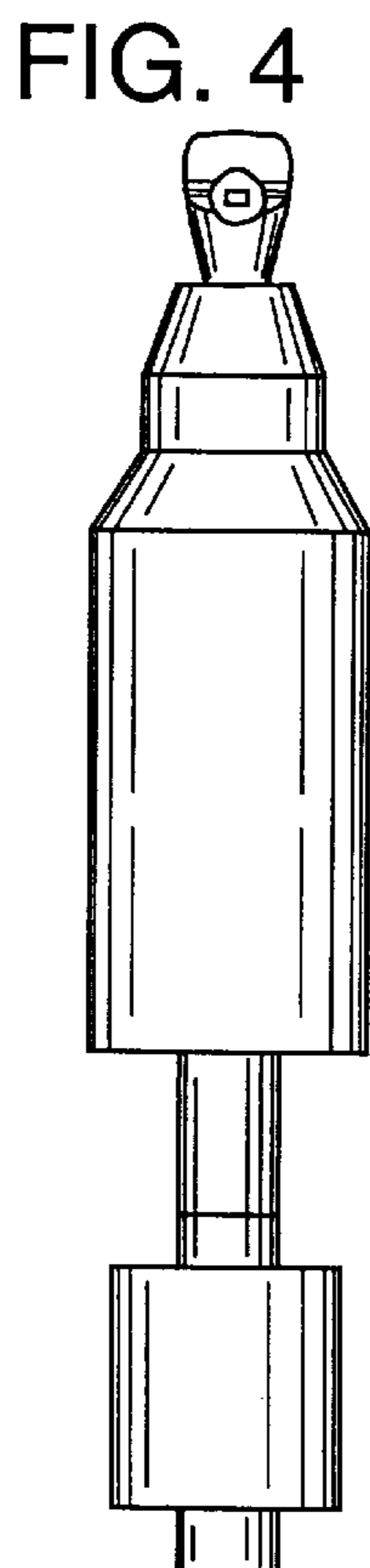


FIG. 4

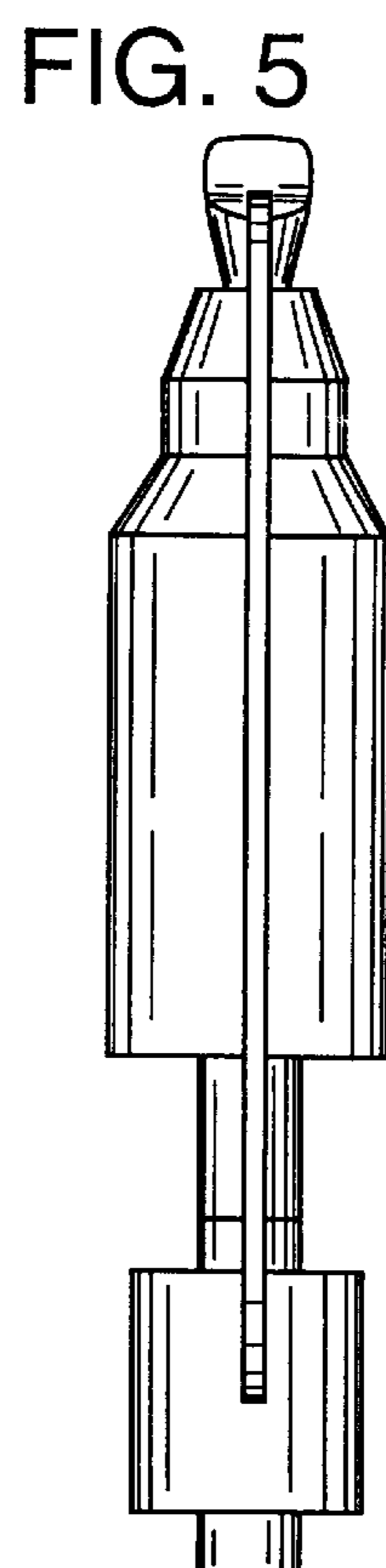


FIG. 5

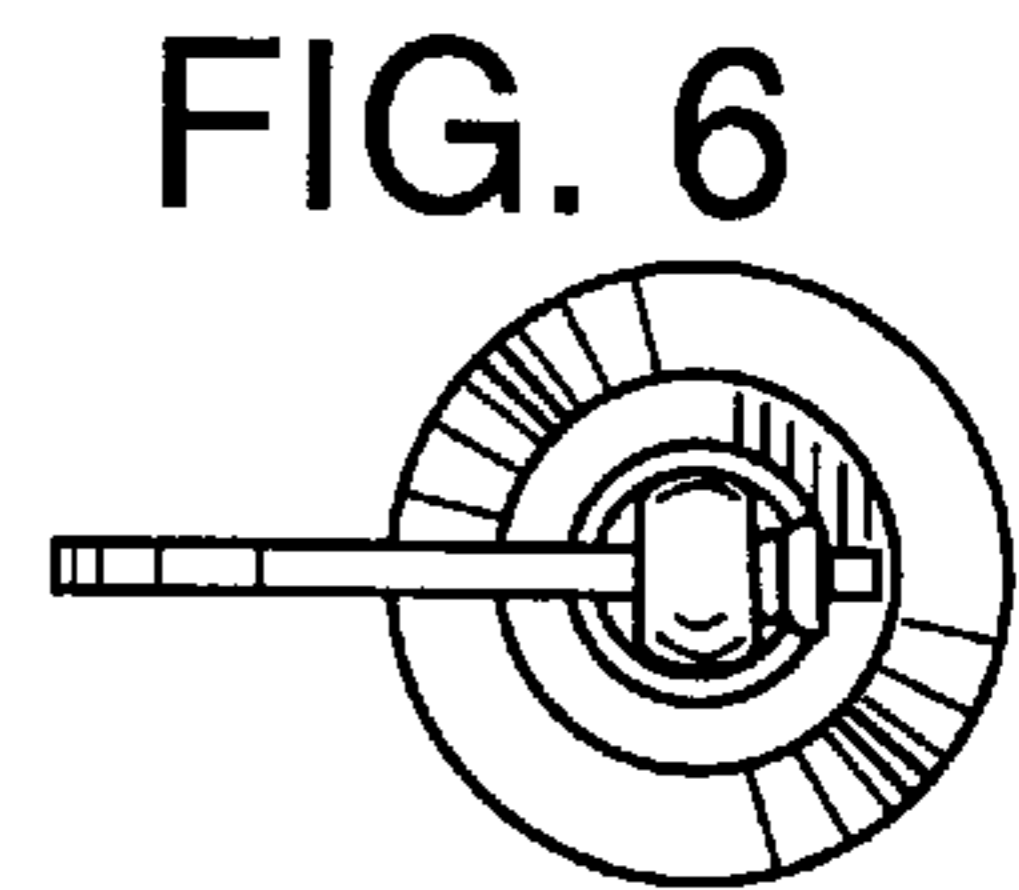


FIG. 6

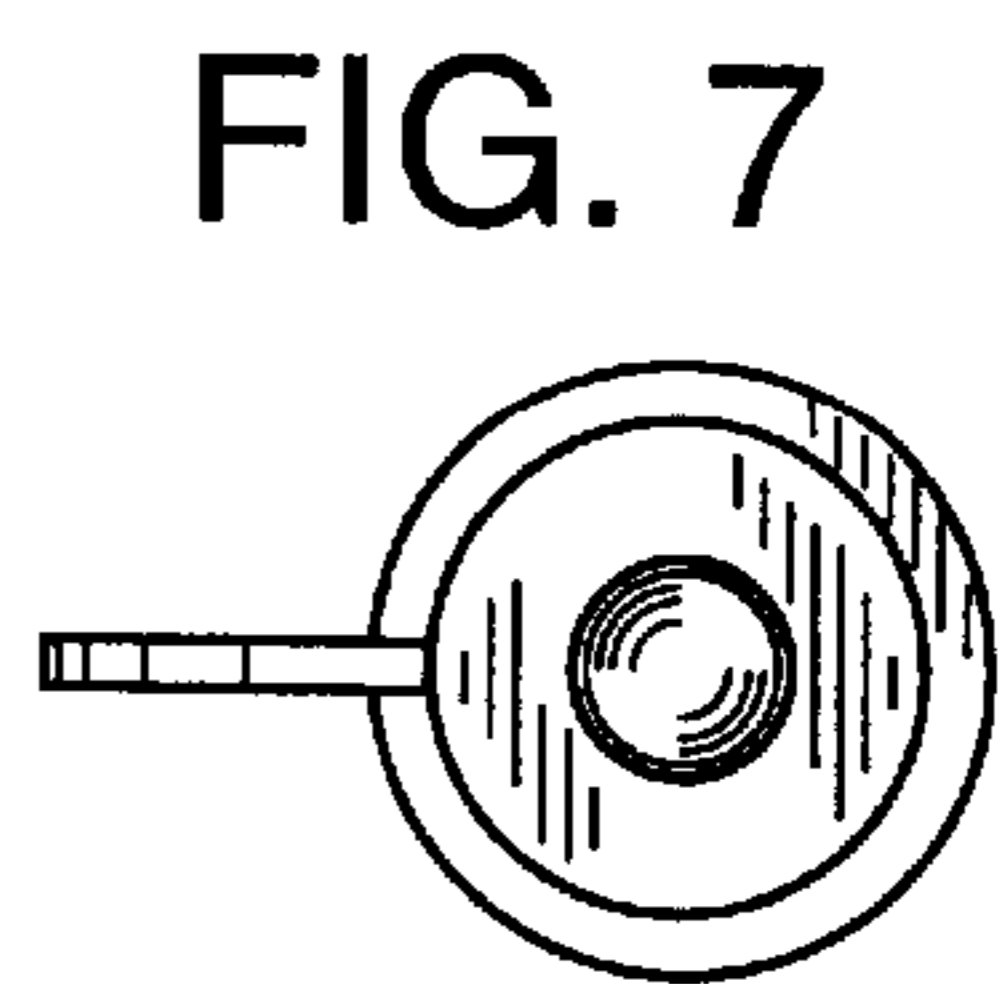


FIG. 7