

US00D400951S

United States Patent [19]

Nally et al.

[11] Patent Number: **Des. 400,951**

[45] Date of Patent: ****Nov. 10, 1998**

[54] **HOCKEY GAME TABLE**

[75] Inventors: **Michael Nally; Douglas J. Flood**, both of Ridgewood, N.J.; **Bruce Maguire**, Ridgefield, Conn.; **James O’Keeffe**, Rivervale, N.J.; **Sigmund Nowakowski**, Niles, Ill.

[73] Assignee: **Sportcraft, Ltd.**, Mt. Olive, N.J.

[**] Term: **14 Years**

[21] Appl. No.: **66,675**

[22] Filed: **Feb. 14, 1997**

[51] **LOC (6) Cl.** **21-01**

[52] **U.S. Cl.** **D21/397; D21/338**

[58] **Field of Search** **D21/14-36, 783, D21/784; 273/236-285**

[56] **References Cited**

U.S. PATENT DOCUMENTS

D. 234,780	4/1975	La Mieux	D21/784
D. 235,669	7/1975	Le Mieux	D21/16
D. 238,953	2/1976	Cecchetti	D21/14
D. 290,796	7/1987	Becker	D6/480
D. 306,107	2/1990	Grosfillex	D6/480
3,722,888	3/1973	Ducharme	273/126 R
3,773,325	11/1973	Crossman et al.	273/126 A
3,947,035	3/1976	Bouchard	273/126 R
3,954,267	5/1976	Freeman et al.	273/126 A

4,294,449	10/1981	Shaw	273/126 R
4,834,371	5/1989	Hay et al.	273/85 B
5,356,143	10/1994	Hylak	273/126 A
5,417,421	5/1995	Bagley	273/108

OTHER PUBLICATIONS

Jamesway Circular Washington Post Insert. p. 4, Franklin Hockey Table Game, top right, Oct. 1991.

Primary Examiner—Sandra L. Morris
Attorney, Agent, or Firm—Collier, Shannon, Rill & Scott, PLLC

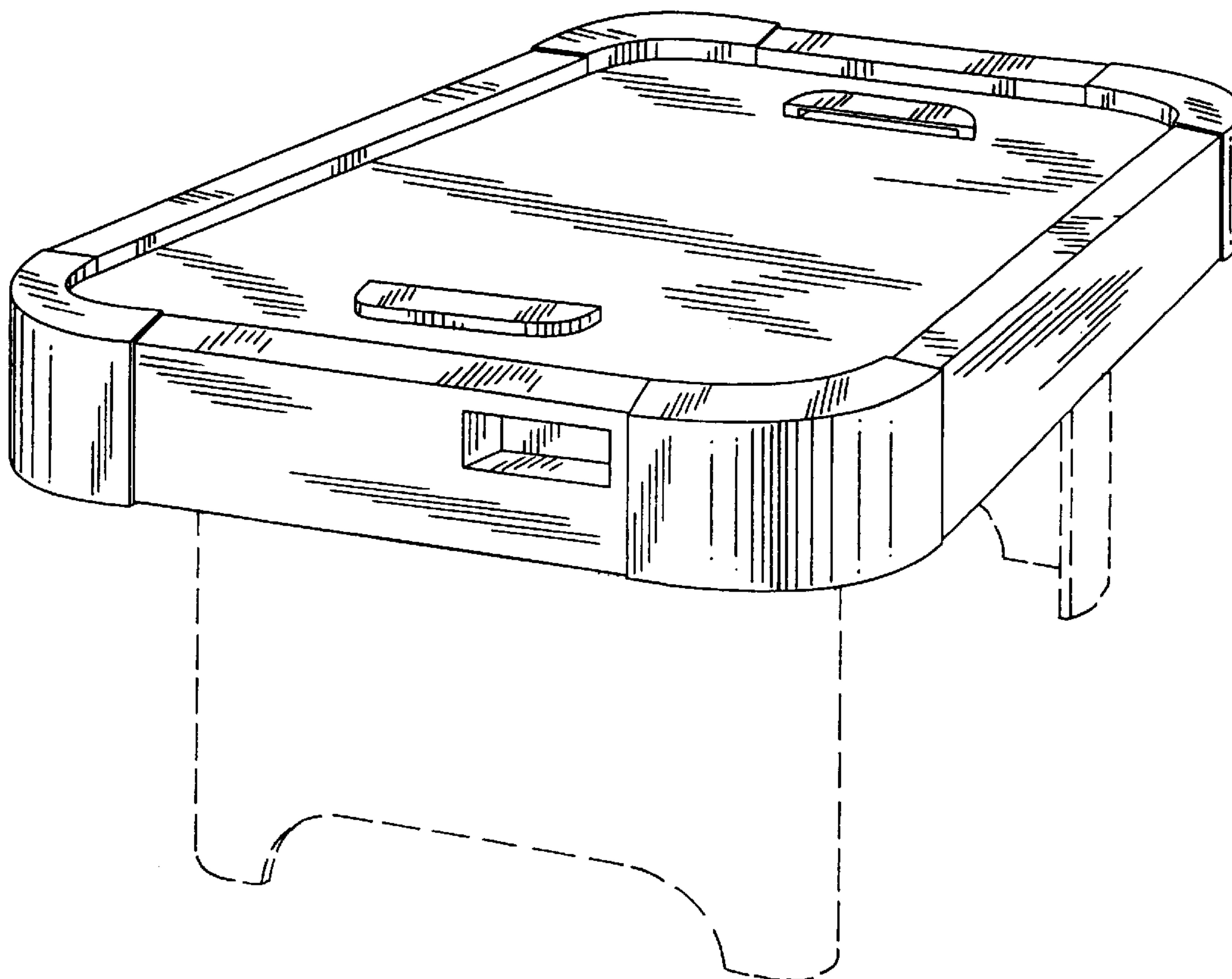
[57] **CLAIM**

The ornamental design for a hockey game table, as shown and described.

DESCRIPTION

FIG. 1 is a right, front perspective view of a hockey game table showing our new design; FIG. 2 is a top plan view thereof; FIG. 3 is a right side elevational view thereof, the left side being symmetrical; and, FIG. 4 is a front elevational view thereof, the rear side being symmetrical. FIGS. 2-4 are shown on an enlarged scale, the broken line showing of the legs is for illustrative purposes only, and forms no part of the claimed design. The bottom plan view is omitted, the hockey game table bottom being plain and unornamented.

1 Claim, 4 Drawing Sheets



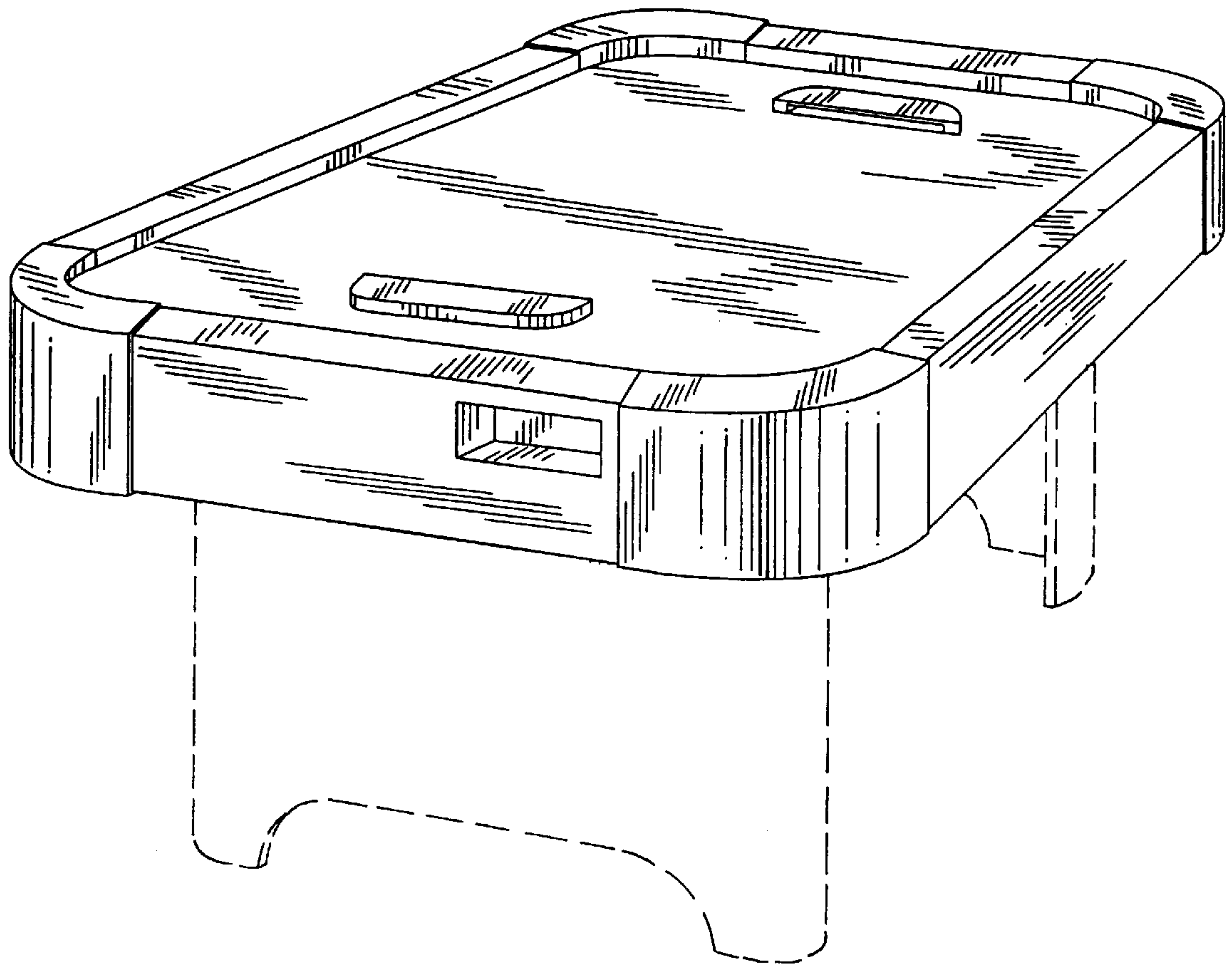


FIG. 1

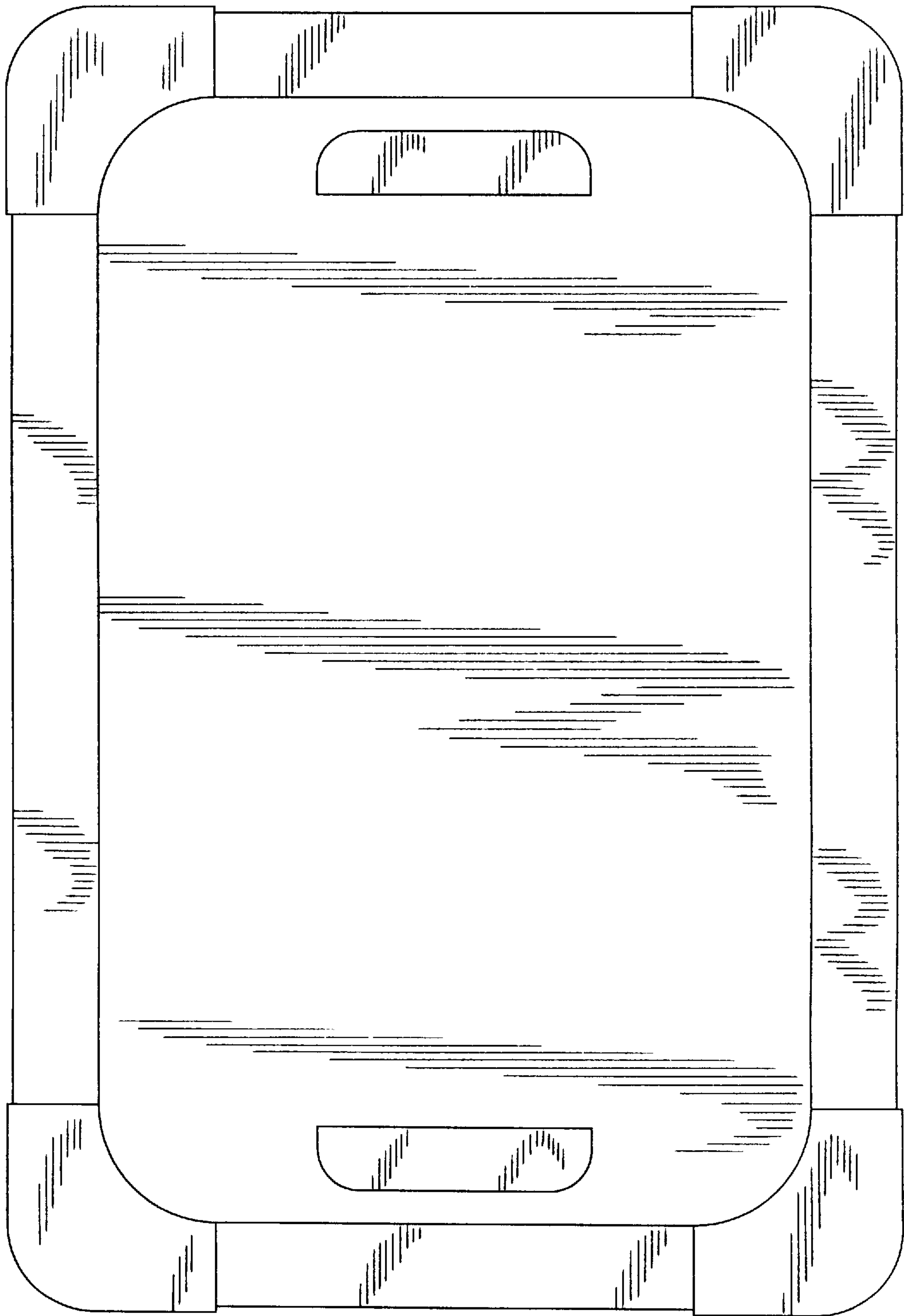


FIG. 2

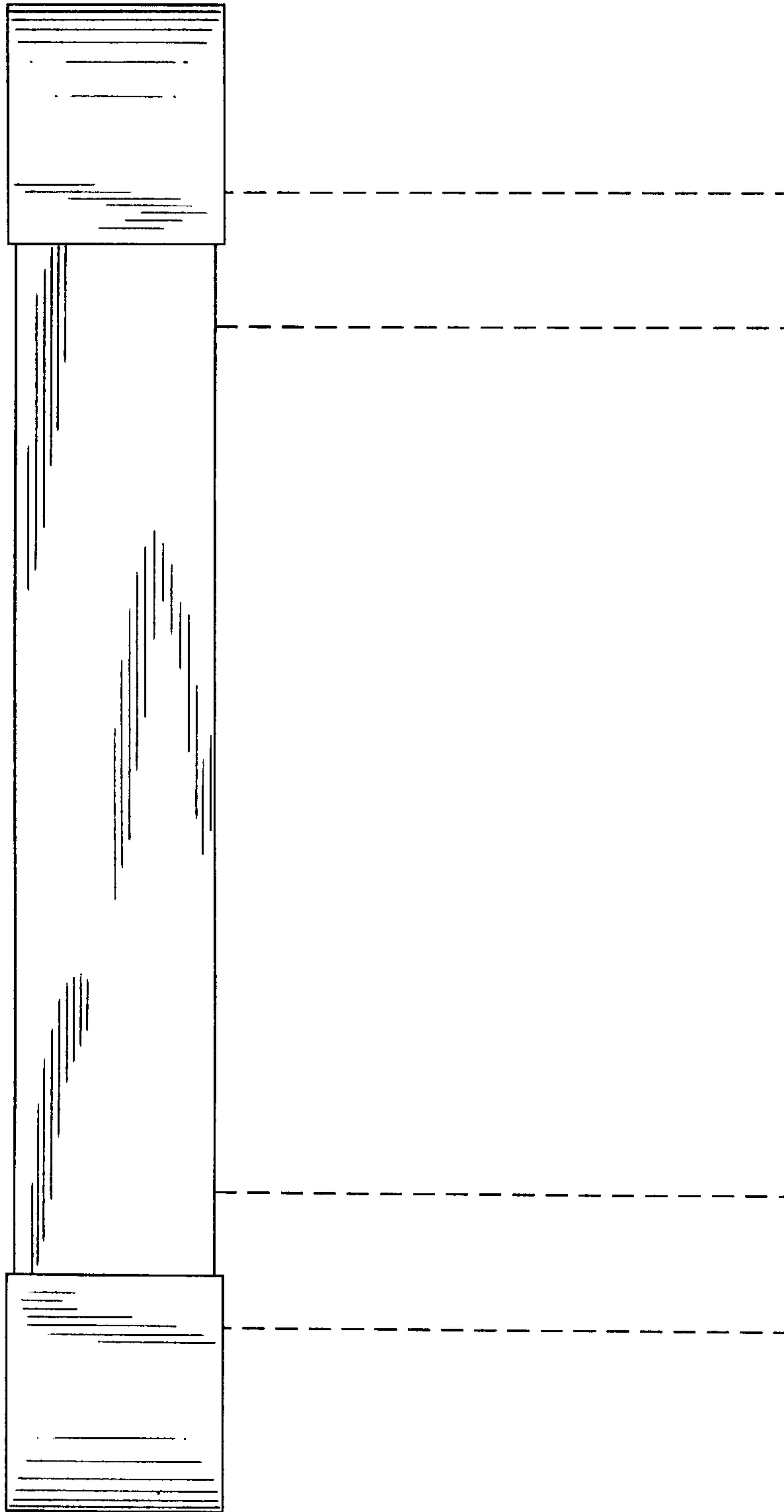


FIG. 3

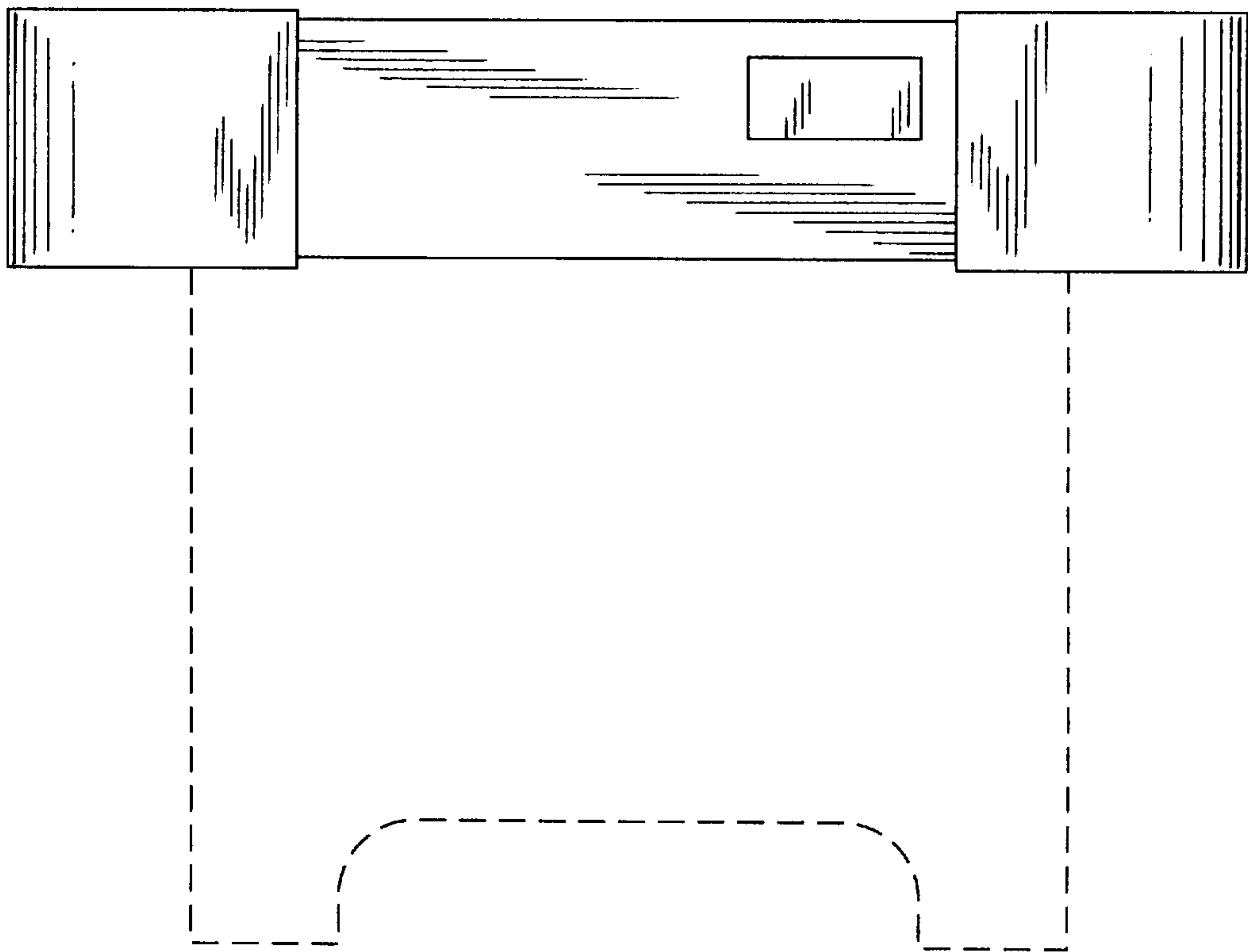


FIG. 4