



US00D400948S

# United States Patent [19]

[11] **Patent Number: Des. 400,948**

**Fish, Jr. et al.**

[45] **Date of Patent: \*\*Nov. 10, 1998**

## [54] **ACTIVITY APPARATUS**

[75] Inventors: **Thomas E. Fish, Jr.**, Wickliffe; **Jeffrey R. Gatto**, Lyndhurst, both of Ohio

[73] Assignee: **The Little Tikes Company**, Hudson, Ohio

[\*\*] Term: **14 Years**

[21] Appl. No.: **74,929**

[22] Filed: **Aug. 13, 1997**

[51] **LOC (6) Cl.** ..... **21-03**

[52] **U.S. Cl.** ..... **D21/244**

[58] **Field of Search** ..... D21/240-246;  
482/35, 36

## [56] **References Cited**

### U.S. PATENT DOCUMENTS

D. 224,029	6/1972	Wayzata et al.	.....	D34/5
D. 262,818	1/1982	Works	.....	D21/243
D. 281,985	12/1985	Spirk et al.	.....	D21/109
D. 303,826	10/1989	Aker	.....	D21/244
D. 333,328	2/1993	Aker et al.	.....	D21/114
D. 334,610	4/1993	Aker	.....	D21/244
D. 340,098	10/1993	Petersheim	.....	D21/242
D. 340,099	10/1993	Warren et al.	.....	D21/243
D. 343,438	1/1994	Fish	.....	D21/244
D. 344,773	3/1994	Aker et al.	.....	D21/244
D. 355,693	2/1995	Aker et al.	.....	D21/109
D. 358,620	5/1995	Hill et al.	.....	D21/244 X
D. 358,860	5/1995	Pipik	.....	D21/245
D. 361,614	8/1995	Aker et al.	.....	D21/244
D. 366,512	1/1996	Ziegler et al.	.....	D21/246
D. 367,309	2/1996	van Huystee	.....	D21/244
D. 367,694	3/1996	van Huystee	.....	D21/244
D. 367,911	3/1996	van Huystee	.....	D21/244
D. 372,757	8/1996	Martin et al.	.....	D21/244
D. 375,537	11/1996	Lenihan	.....	D21/245
D. 377,074	12/1996	Ford et al.	.....	D21/243
D. 377,075	12/1996	Temple et al.	.....	D21/244
D. 377,203	1/1997	Jaeb	.....	D21/244
D. 383,186	9/1997	Van Huystee	.....	D21/240
D. 384,722	10/1997	Siragusa, Jr. et al.	.....	D21/244

### OTHER PUBLICATIONS

P. 24, Activity apparatuses; Educational Media Incorporated, 3191 Westover Dr., Southeast, Washington, DC 20020. Publication date 1980.

Catalog page, Climber; Step 2 Corporation, 10010 Aurora-Hudson Road, P. O. Box 2412, Streetsboro, Ohio 44241. Publication date 1993.

Catalog page, Slide center; Step 2 Corporation, 10010 Aurora-Hudson Road, P. O. Box 2412, Streetsboro, Ohio 44241. Publication date 1993.

Pp. 43, Play center, "Playthings" catalog, address unknown. Publication date Sep. 1985

Pp. 65, Activity apparatuses, Kaplan School Supply Corp., 1310 Lewisville-Clemmons Road, Lewisville, North Carolina 27023. Publication date 1986-1987.

*Primary Examiner*—Ted Shooman

*Assistant Examiner*—Mitchell I. Siegel

*Attorney, Agent, or Firm*—Richard B. O'Planick

## [57] **CLAIM**

The ornamental design for an activity apparatus, as shown and described.

## **DESCRIPTION**

FIG. 1 is a top left front perspective view of an activity apparatus showing our new design;

FIG. 2 is a left side elevational view thereof;

FIG. 3 is a front elevational view thereof;

FIG. 4 is a right side elevational view thereof;

FIG. 5 is a rear elevational view thereof;

FIG. 6 is a top plan view thereof;

FIG. 7 is a bottom plan view thereof;

FIG. 8 is a top left front perspective view of the subject invention, shown with the environmental unclaimed features removed;

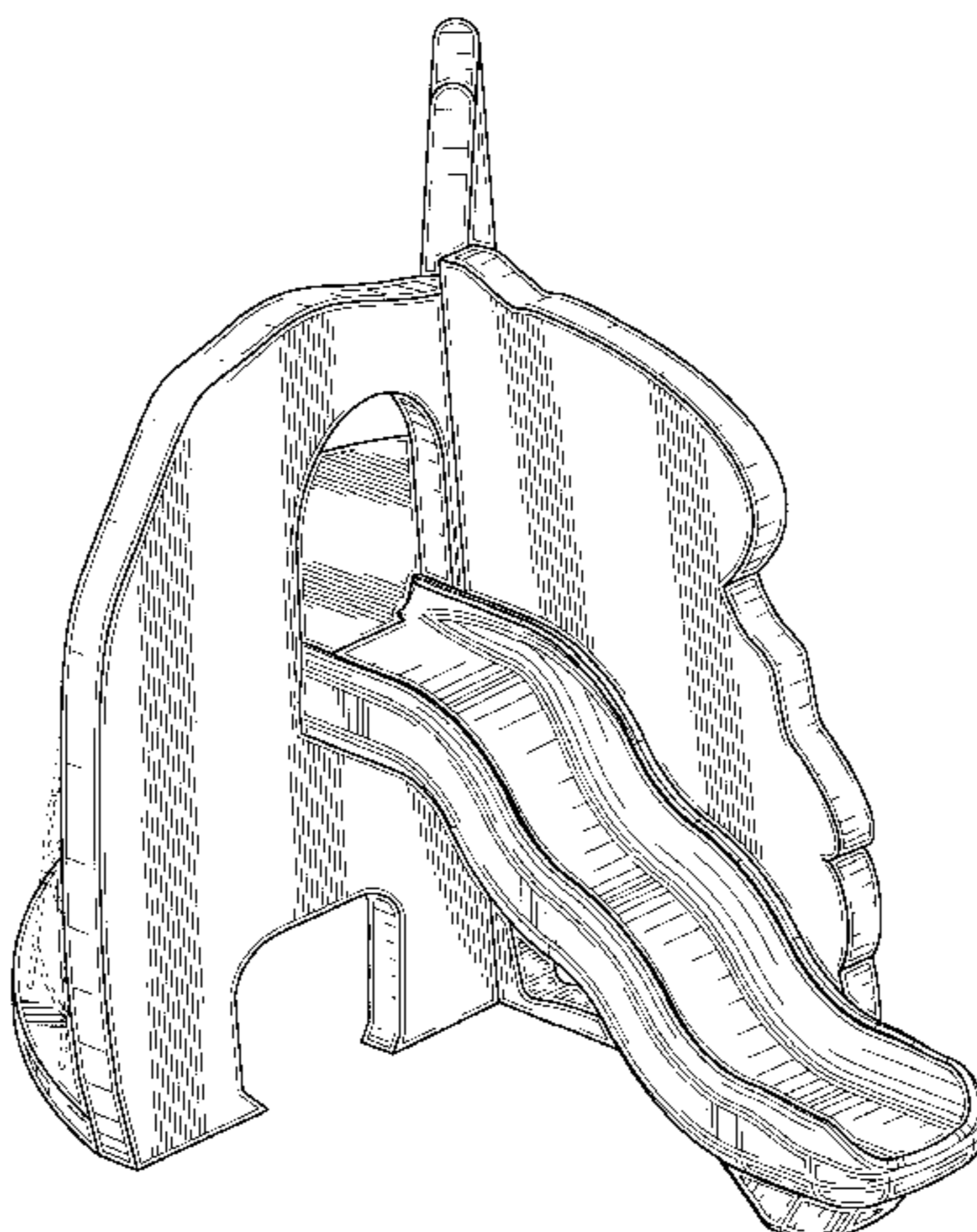
FIG. 9 is a left side elevational view of the subject invention, shown with the environmental unclaimed features removed;

FIG. 10 is a front elevational view of the subject invention, shown with the environmental unclaimed features removed; and,

FIG. 11 is top plan view of the subject invention, shown with the environmental unclaimed features removed.

The broken line showing of a net in FIGS. 1, 2, 3 and 6 is for illustrative purposes only and forms no part of the claimed design.

**1 Claim, 11 Drawing Sheets**



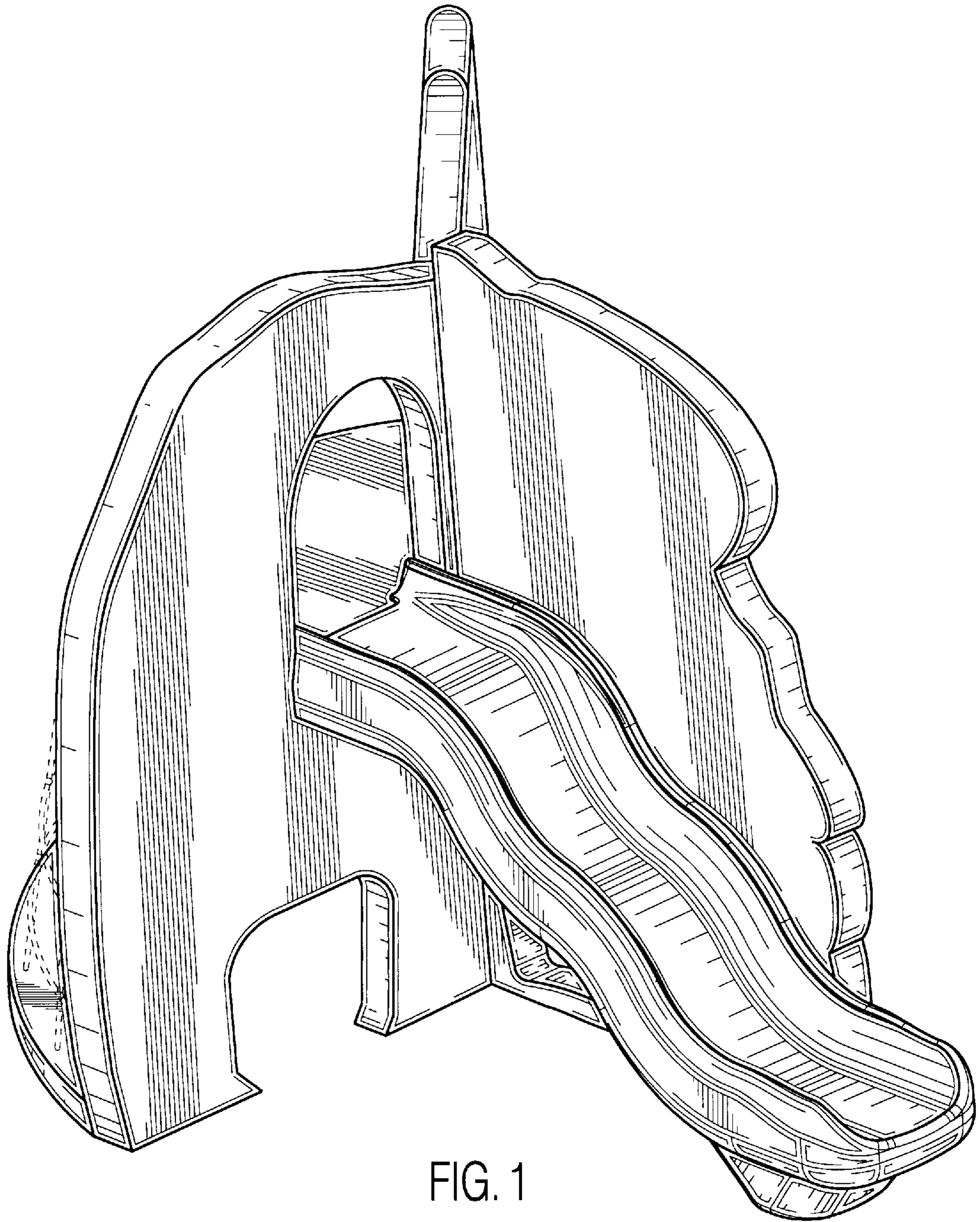


FIG. 1

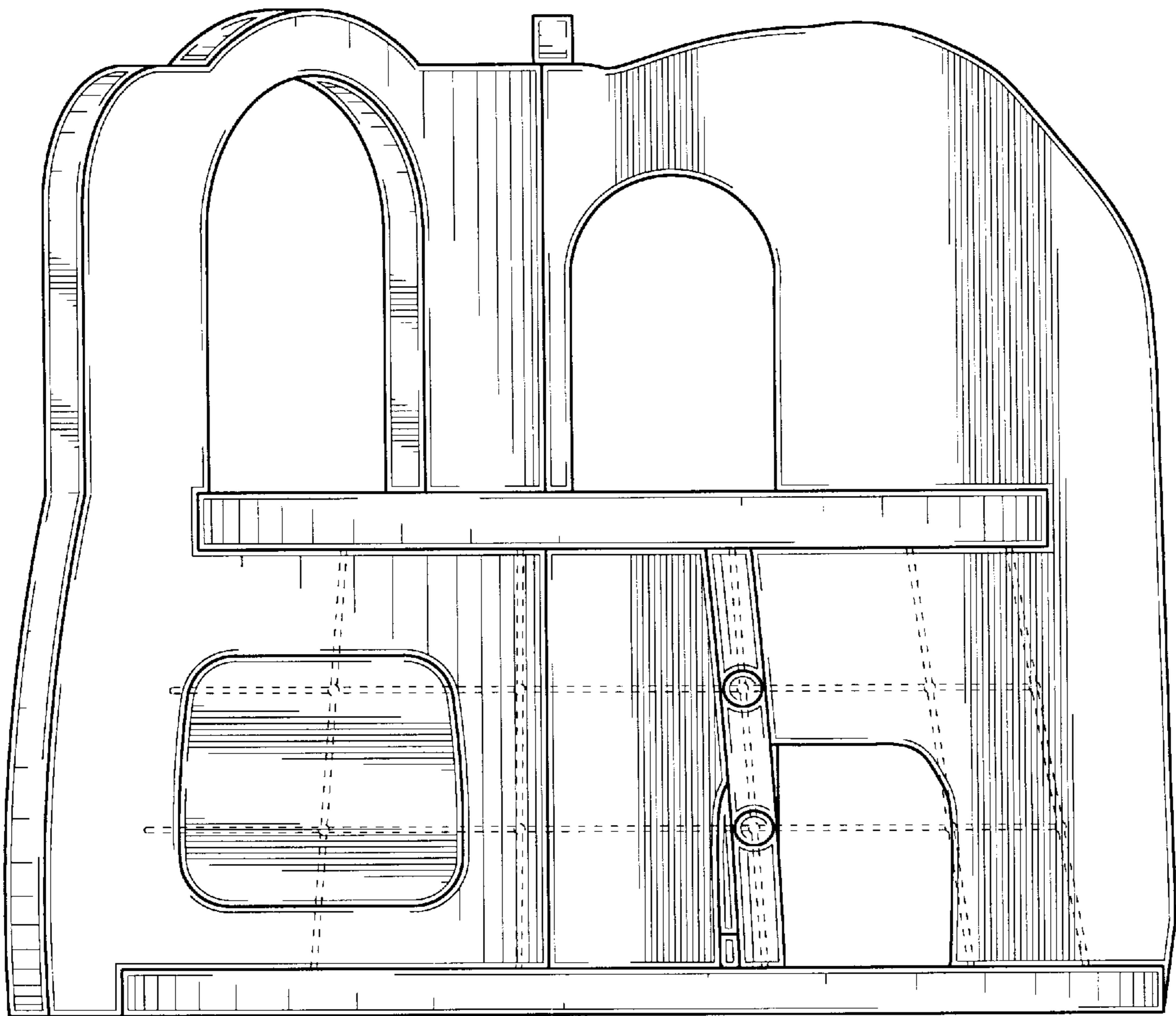


FIG. 2

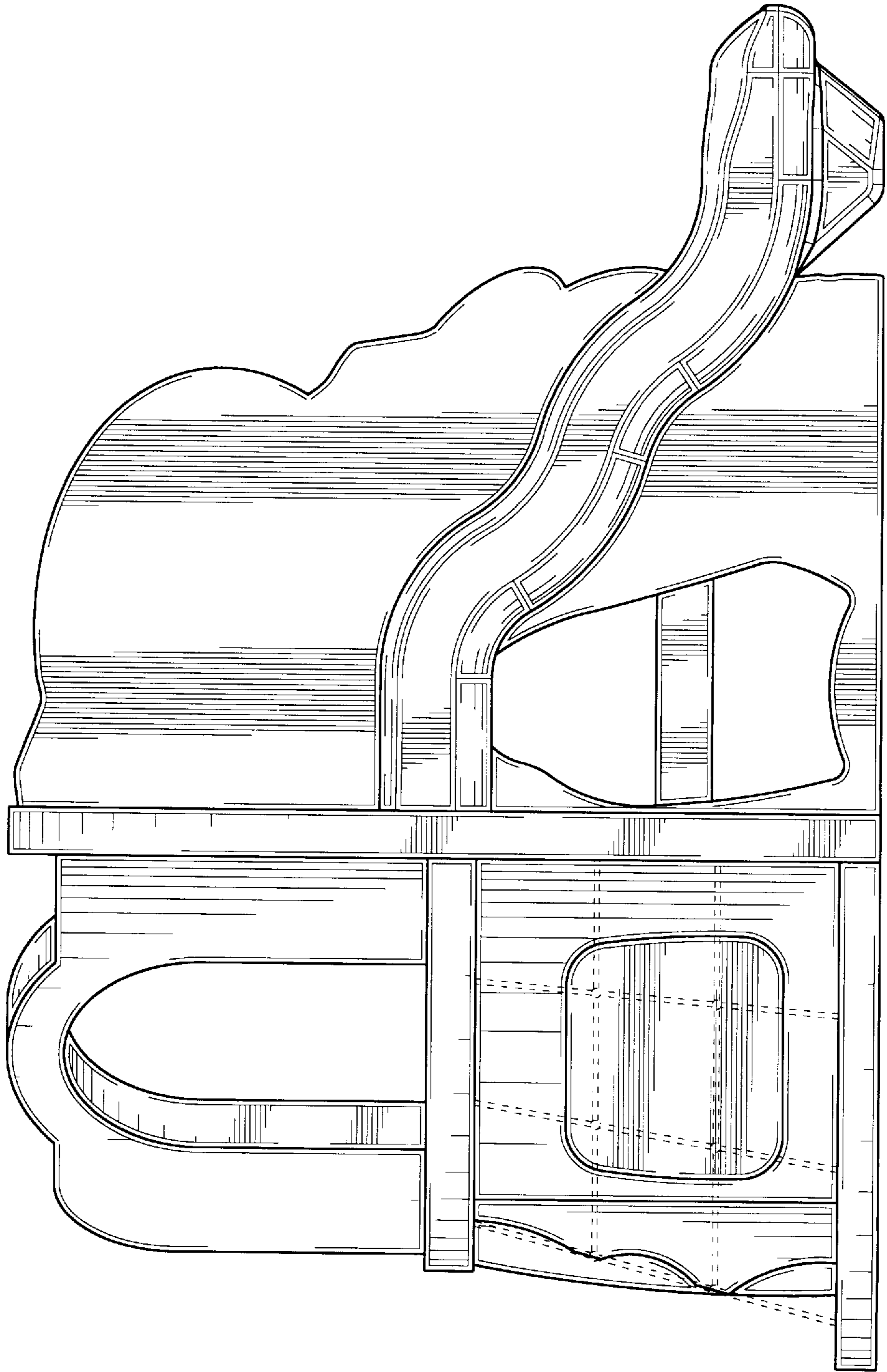


FIG. 3

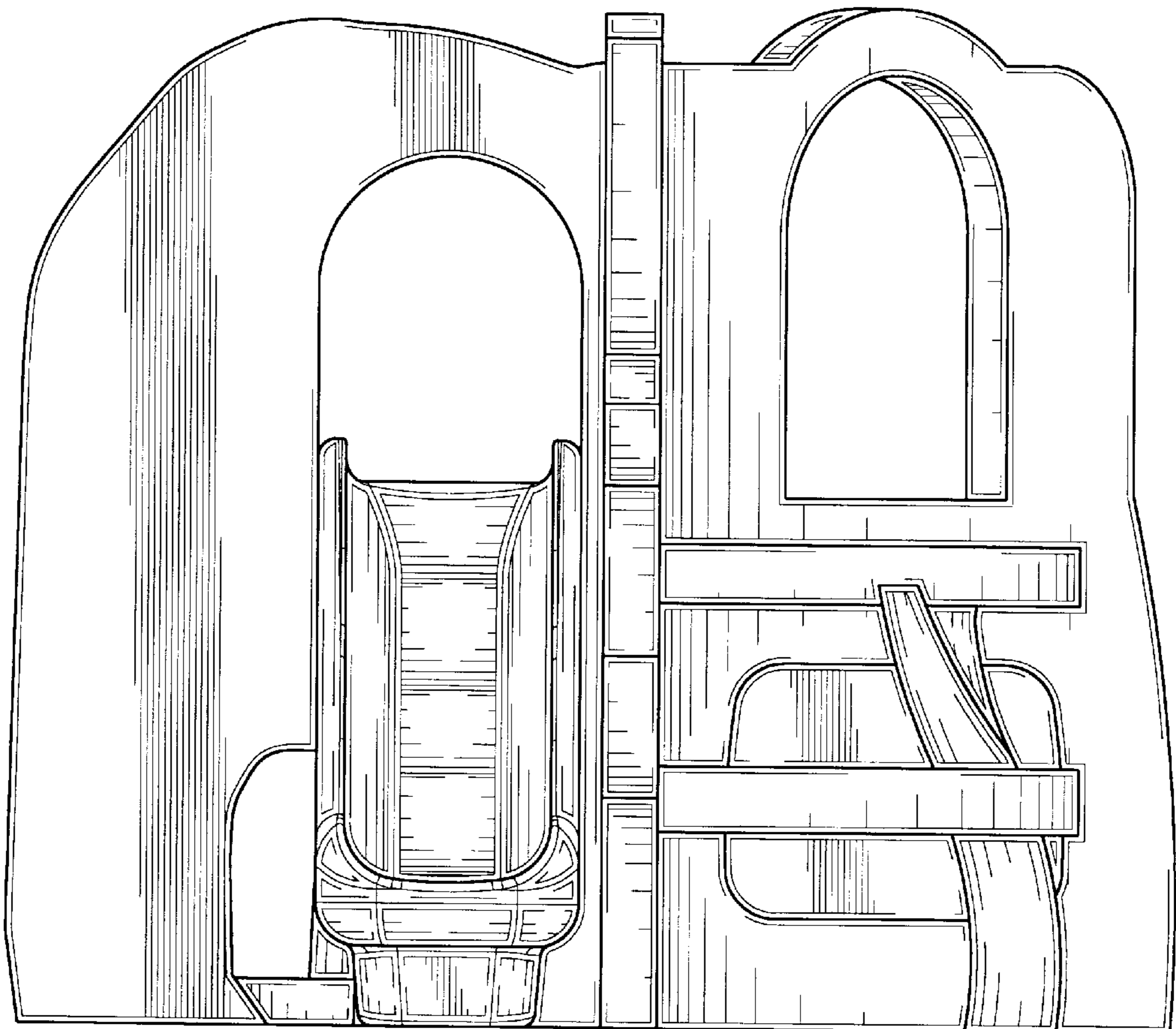


FIG. 4

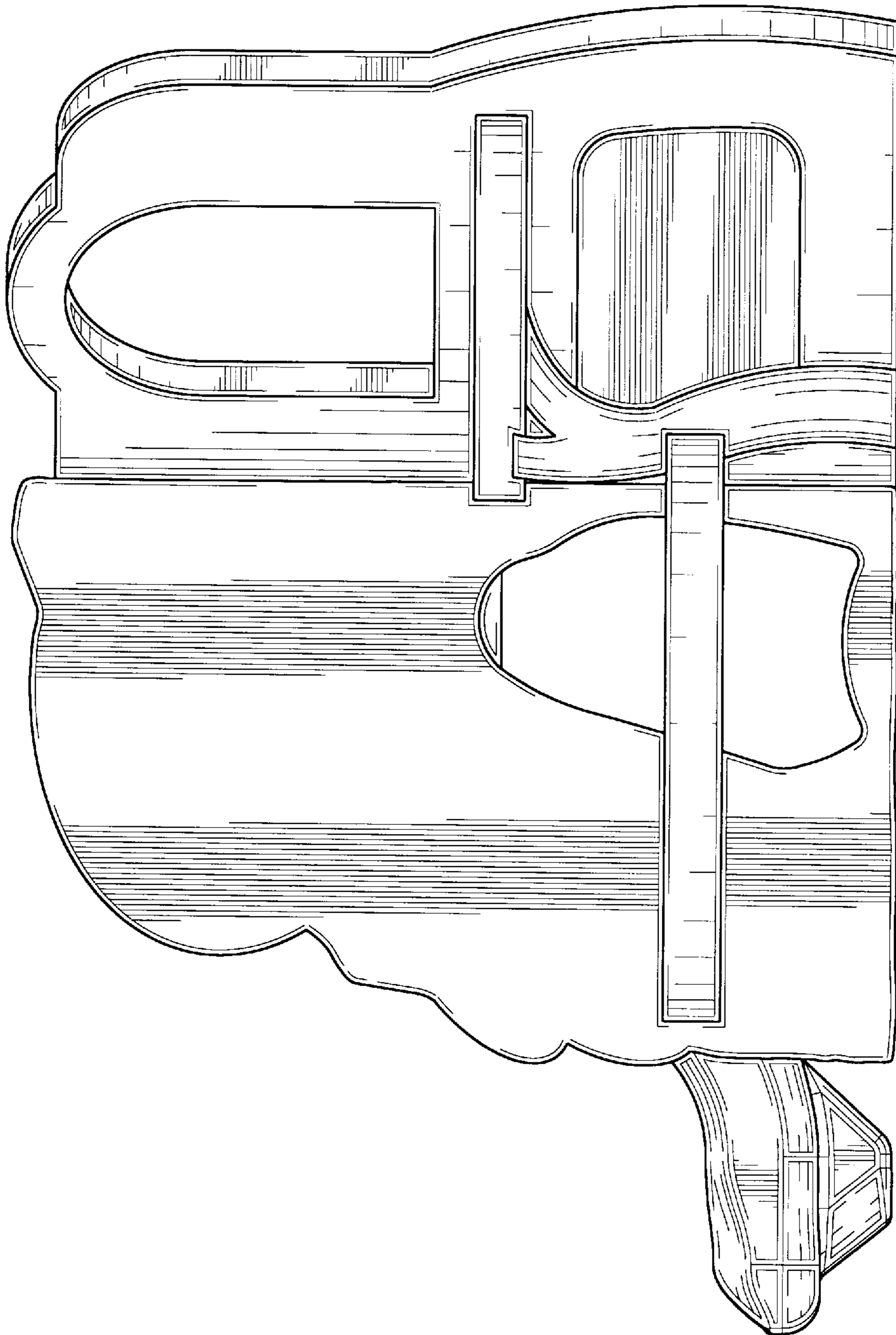


FIG. 5

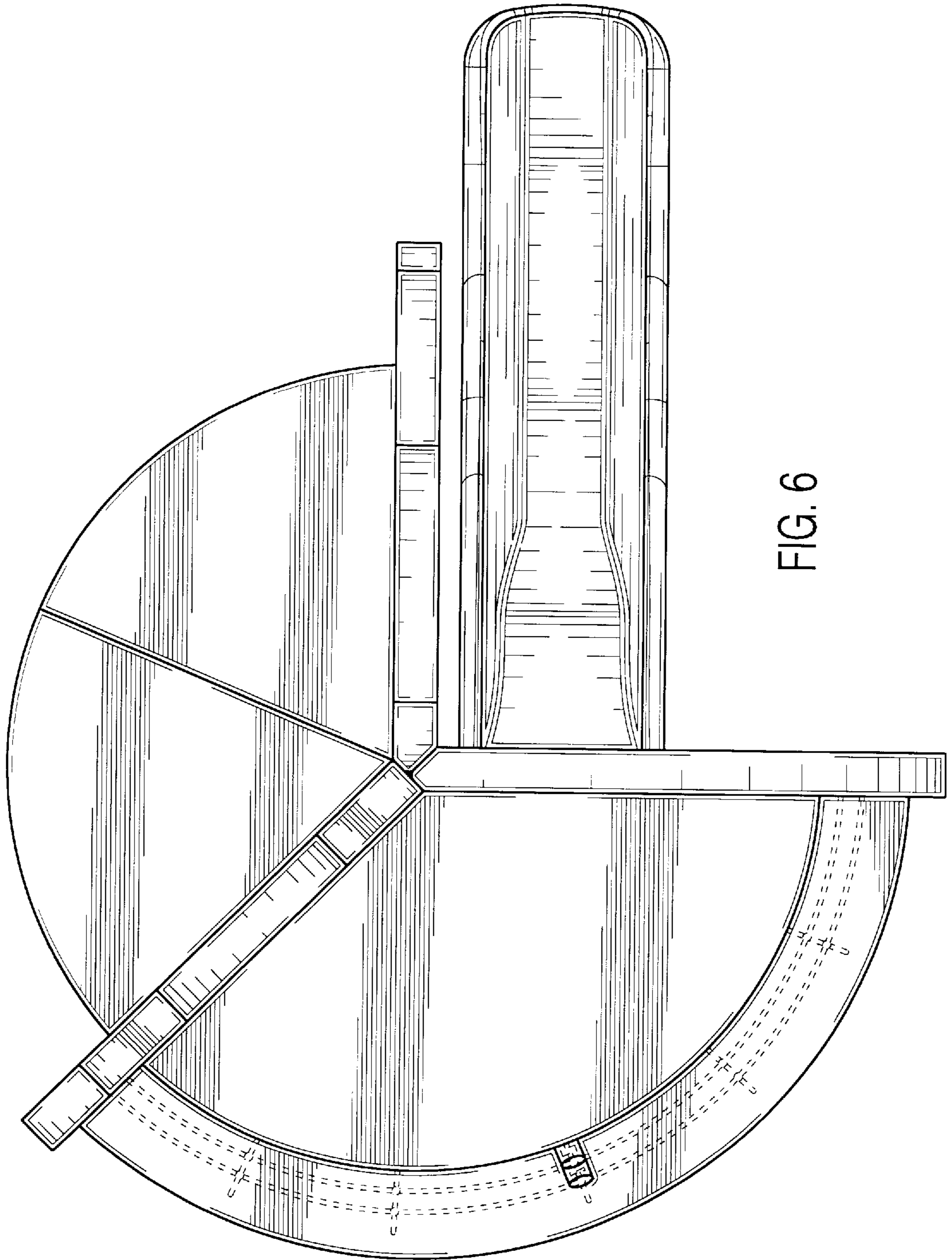


FIG. 6

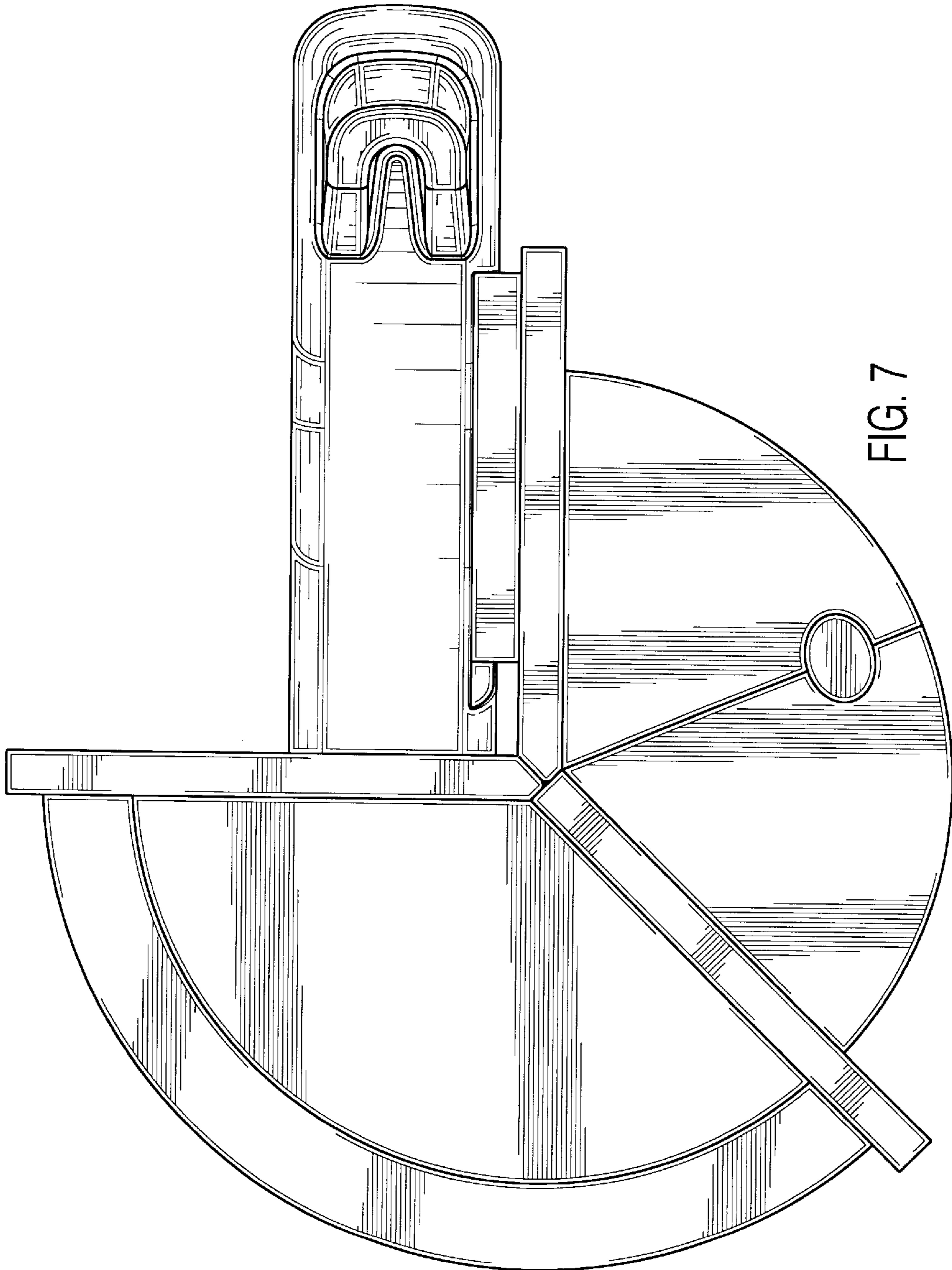


FIG. 7



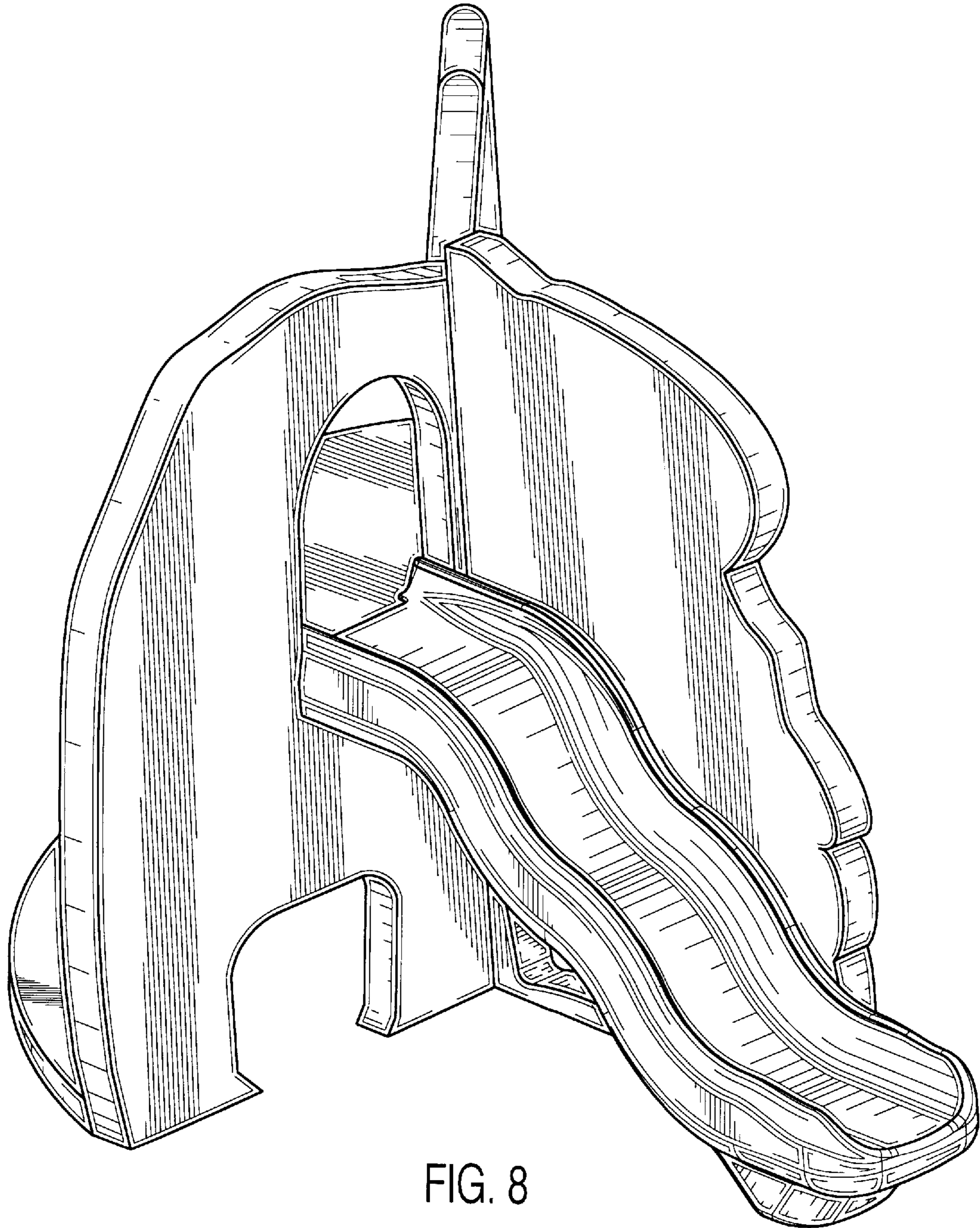


FIG. 8

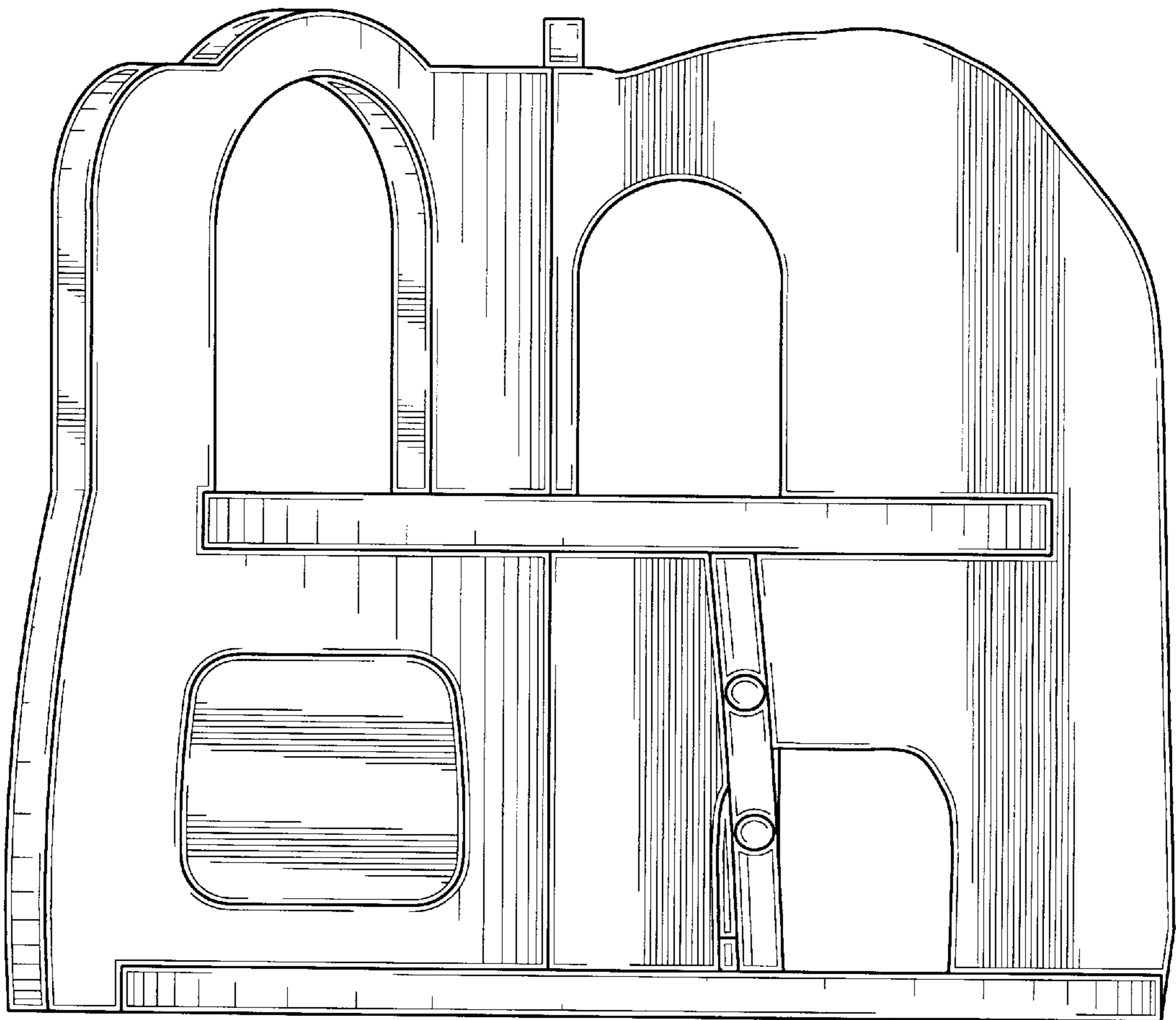


FIG. 9

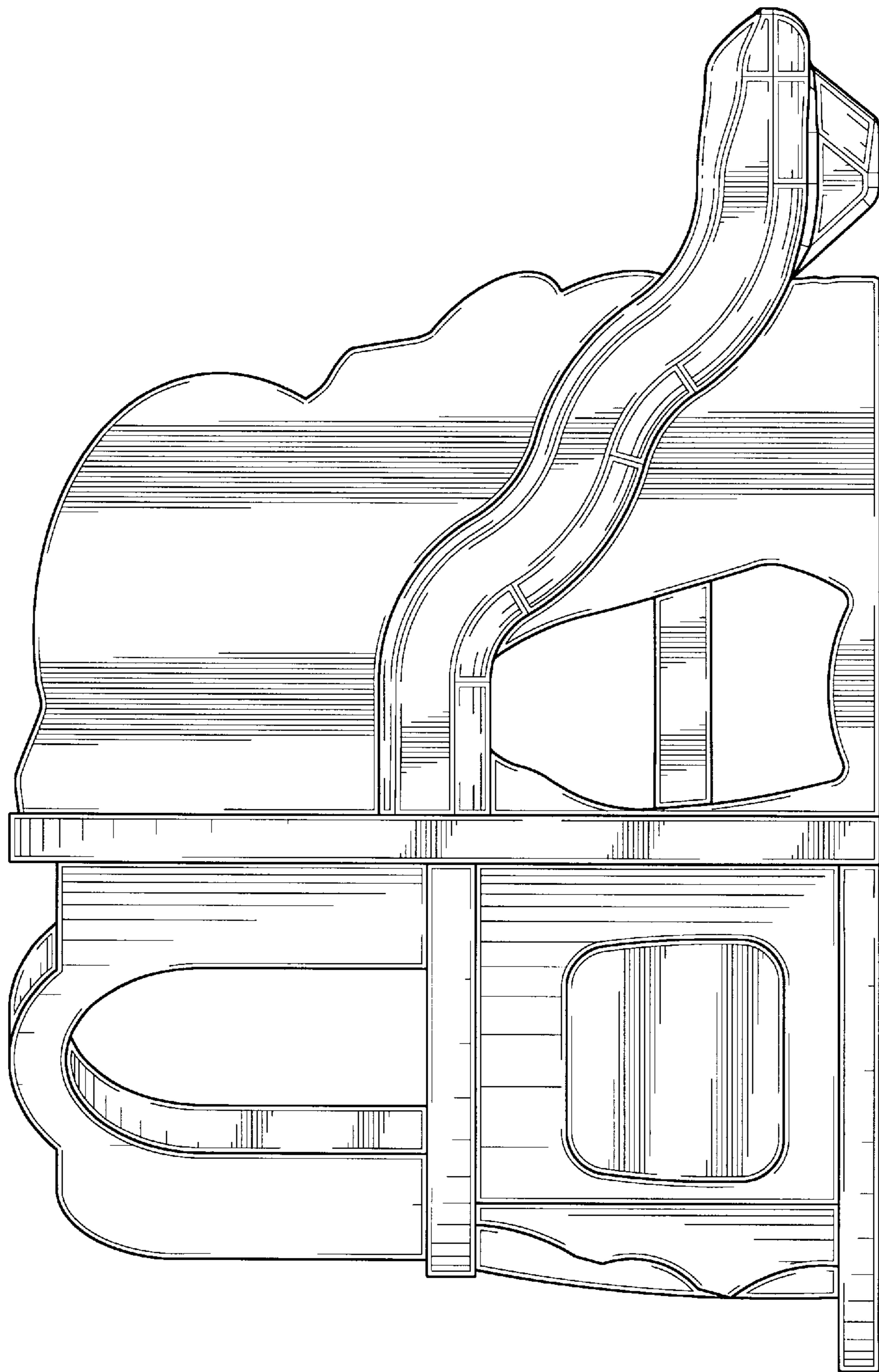


FIG. 10

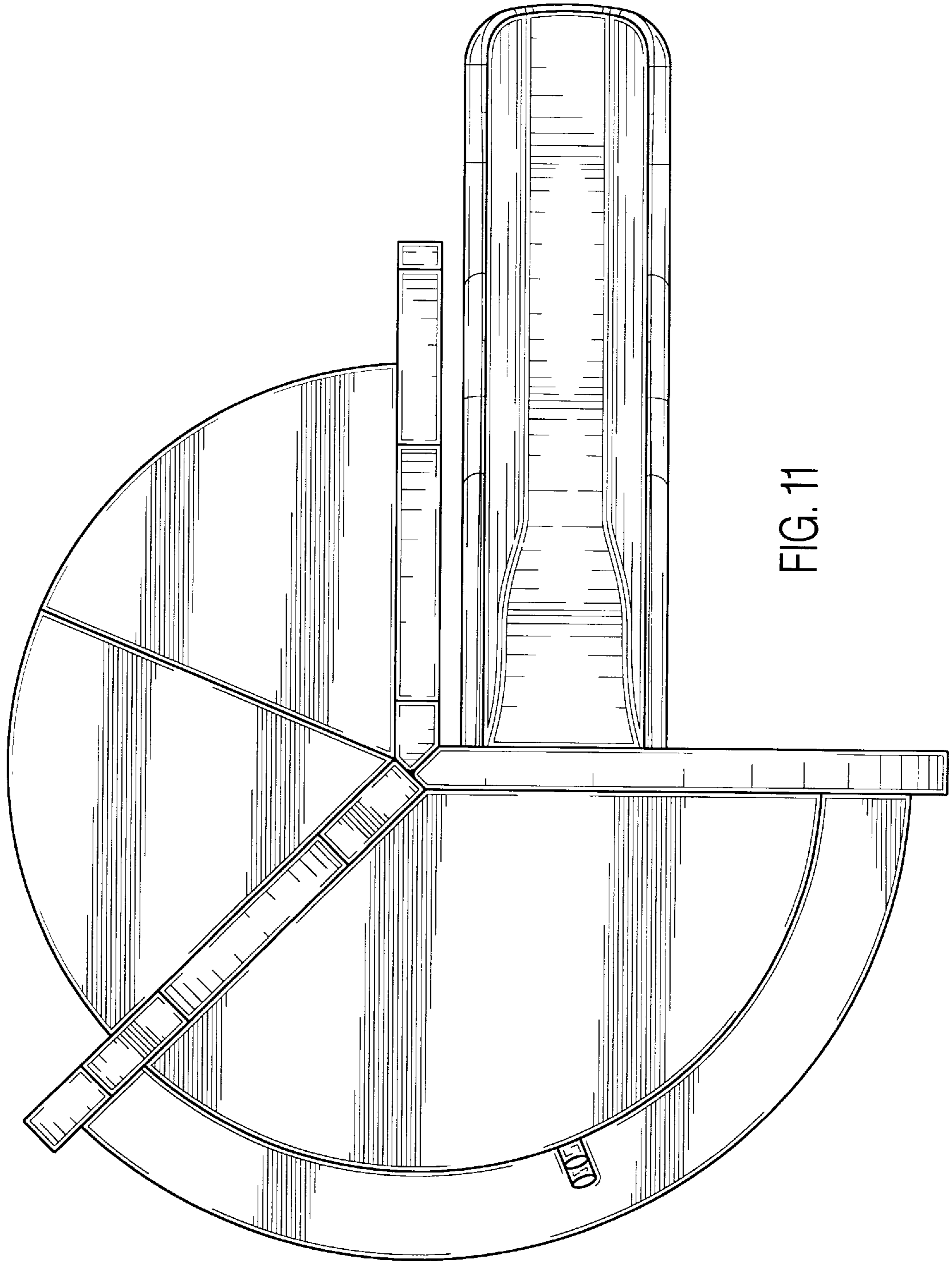


FIG. 11