



US00D400944S

United States Patent [19]

[11] **Patent Number: Des. 400,944**

Atonious

[45] **Date of Patent: **Nov. 10, 1998**

[54] **STRIKING FACE FOR A GOLF PUTTER HEAD**

[76] Inventor: **Anthony J. Atonious**, 7738 Calle Facil, Sarasota, Fla. 34238

[**] Term: **14 Years**

[21] Appl. No.: **72,029**

[22] Filed: **Jun. 6, 1997**

[51] **LOC (6) Cl.** **21-02**

[52] **U.S. Cl.** **D21/221; D21/217**

[58] **Field of Search** D21/217-219, D21/221; 473/341, 340, 324, 325, 329, 251-256

[56] **References Cited**

U.S. PATENT DOCUMENTS

D. 63,284	11/1923	Challis	D21/217
D. 162,054	2/1951	Markovich	D21/219
D. 185,522	6/1959	Whitney	D21/217
D. 285,818	9/1986	Moore	D21/219
D. 335,694	5/1993	Stuff	D21/219 X
1,756,219	4/1930	Spiker	D21/217 X
2,034,936	3/1936	Barnhart	.	
2,107,983	2/1938	Hamilton	D21/217 X
4,530,505	7/1985	Stuff	.	

Primary Examiner—Sandra L. Morris
Assistant Examiner—Mitchell I. Siegel
Attorney, Agent, or Firm—Finnegan, Henderson, Farabow, Garrett & Dunner, L.L.P.

[57] **CLAIM**

The ornamental design for a striking face for a golf putter head, as shown and described.

DESCRIPTION

FIG. 1 is a front view of the striking face for a golf putter head of the present invention;
FIG. 2 is a perspective view of the striking face for a golf putter head of the present invention;
FIG. 3 is another perspective view of the striking face for a golf putter head of the present invention;
FIG. 4 is a top view of the striking face for a golf putter head of the present invention;
FIG. 5 is a bottom view of the striking face for a golf putter head of the present invention;
FIG. 6 is a side view of the striking face for a golf putter head of the present invention; and,
FIG. 7 is the opposite side view of the striking face for a golf putter head of the present invention.
The broken line showing of a golf putter head is for illustrative purposes only and forms no part of the claimed design.

1 Claim, 2 Drawing Sheets

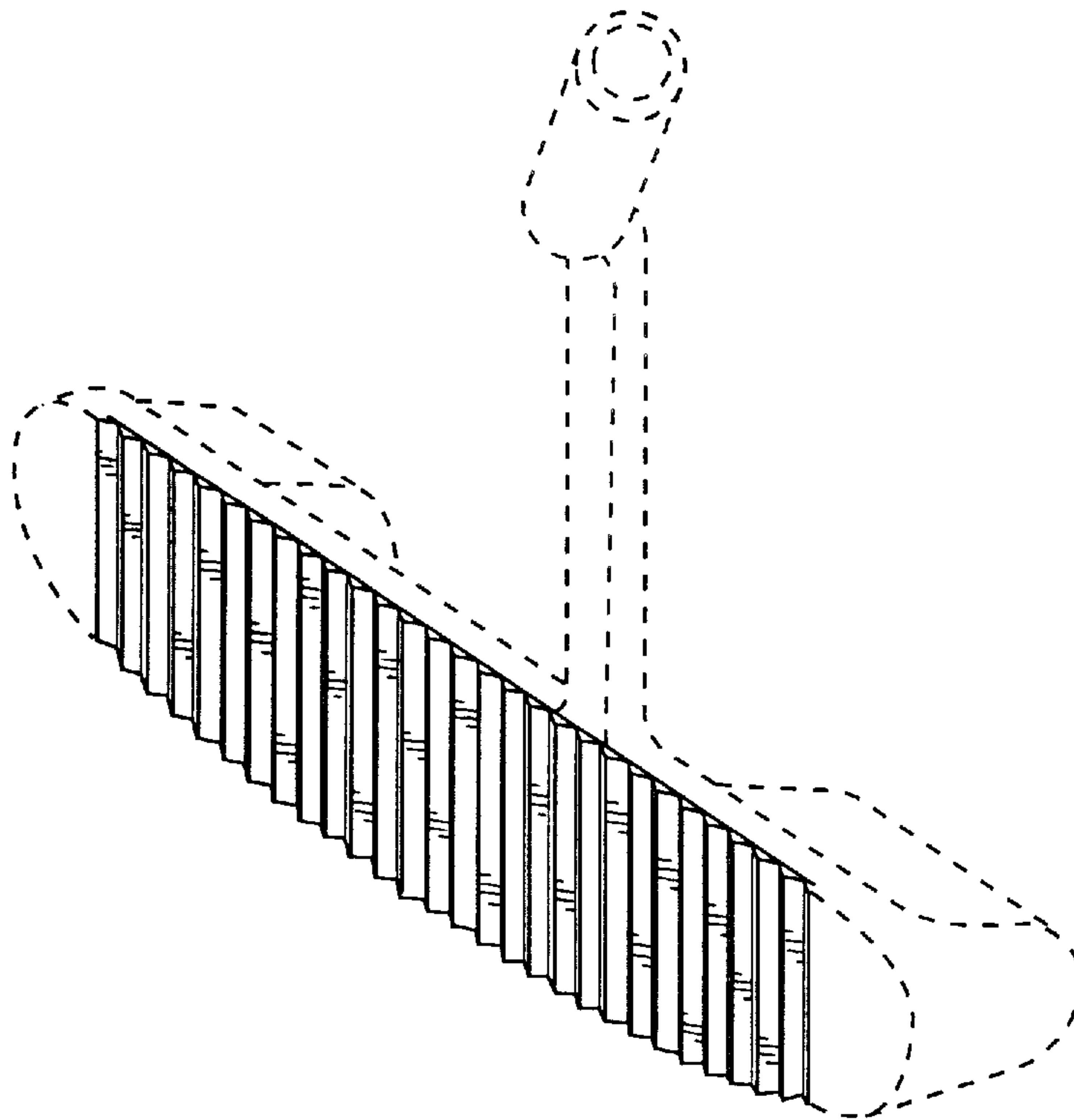


FIG. 1

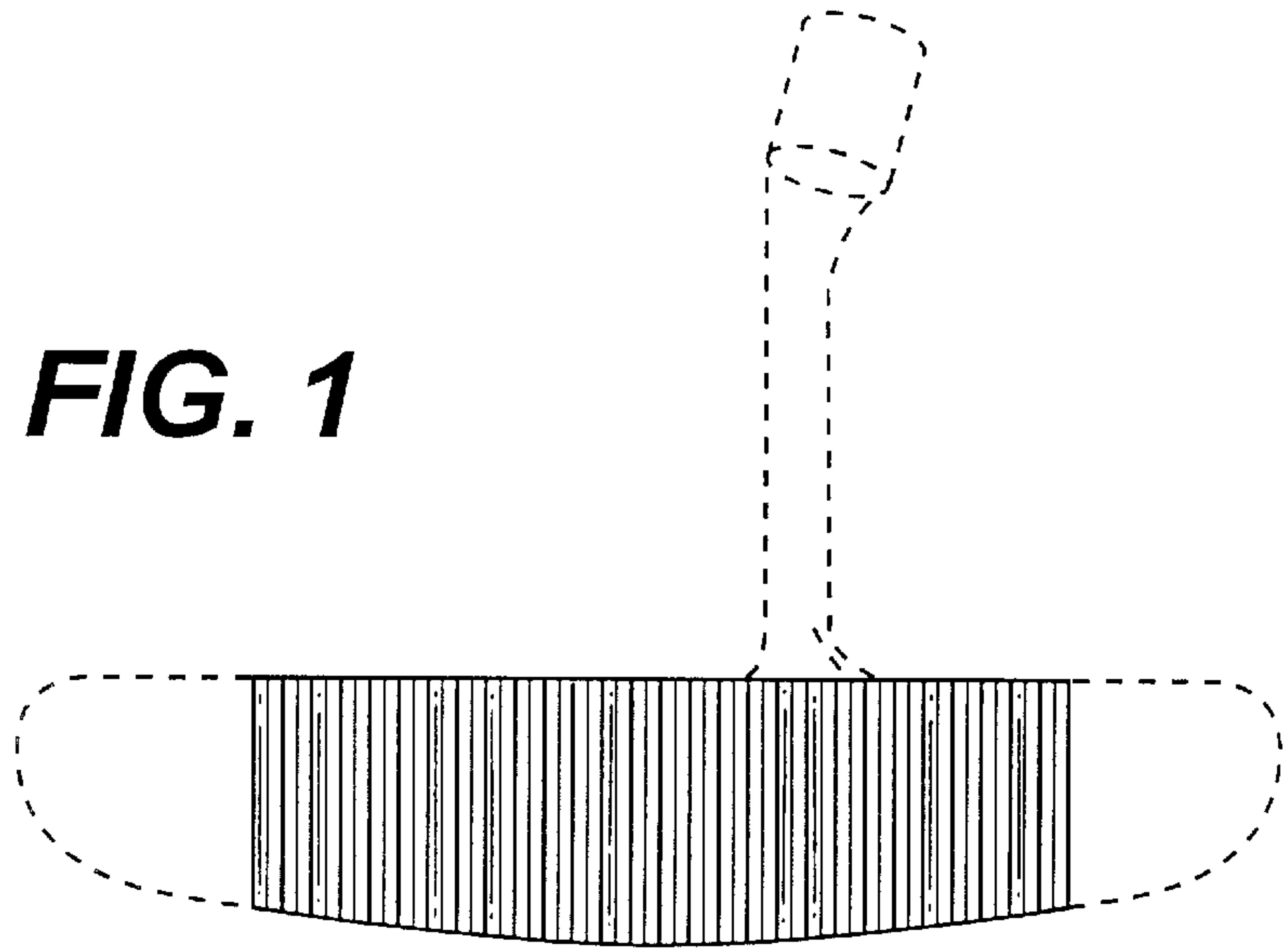


FIG. 2

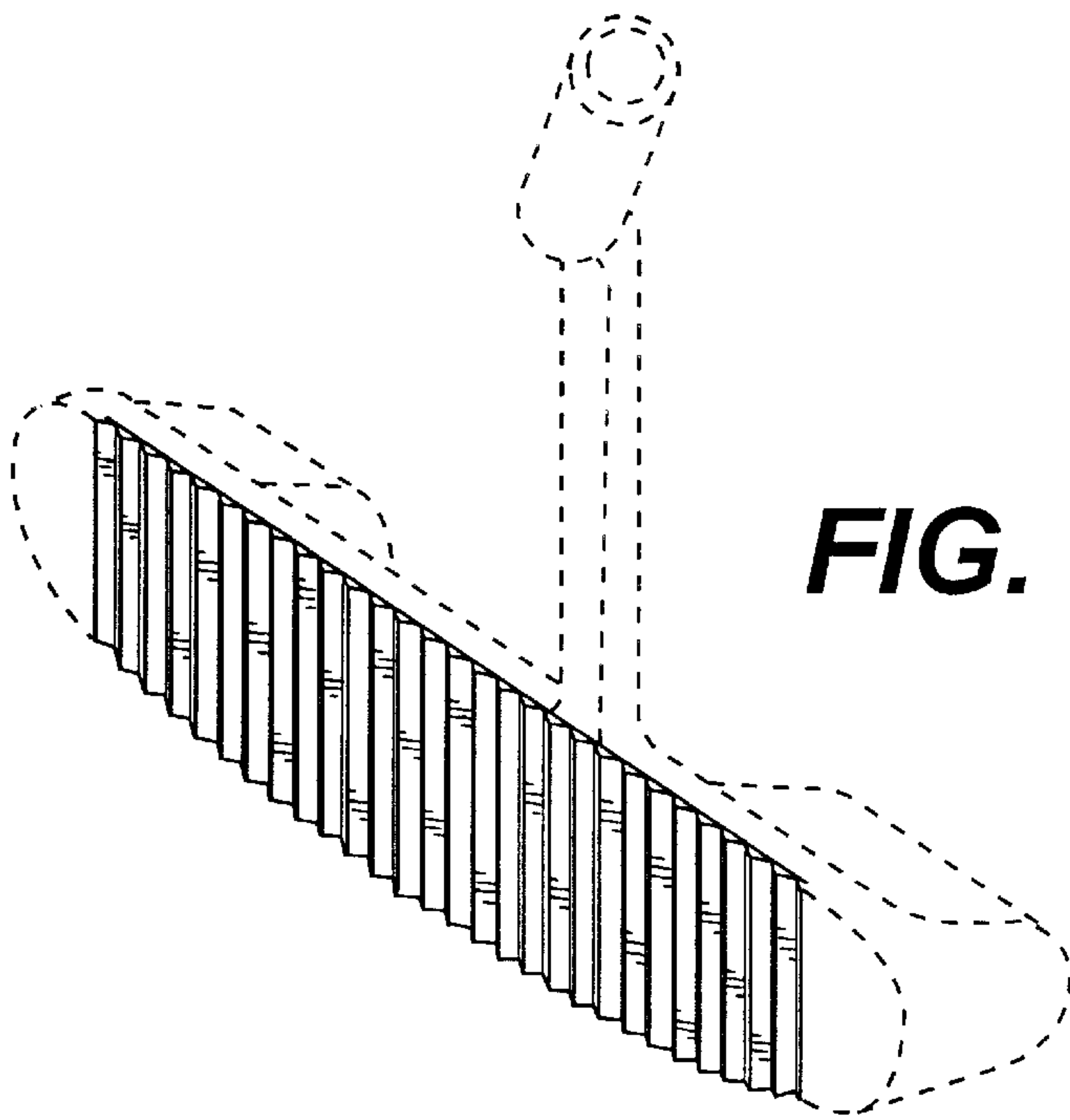
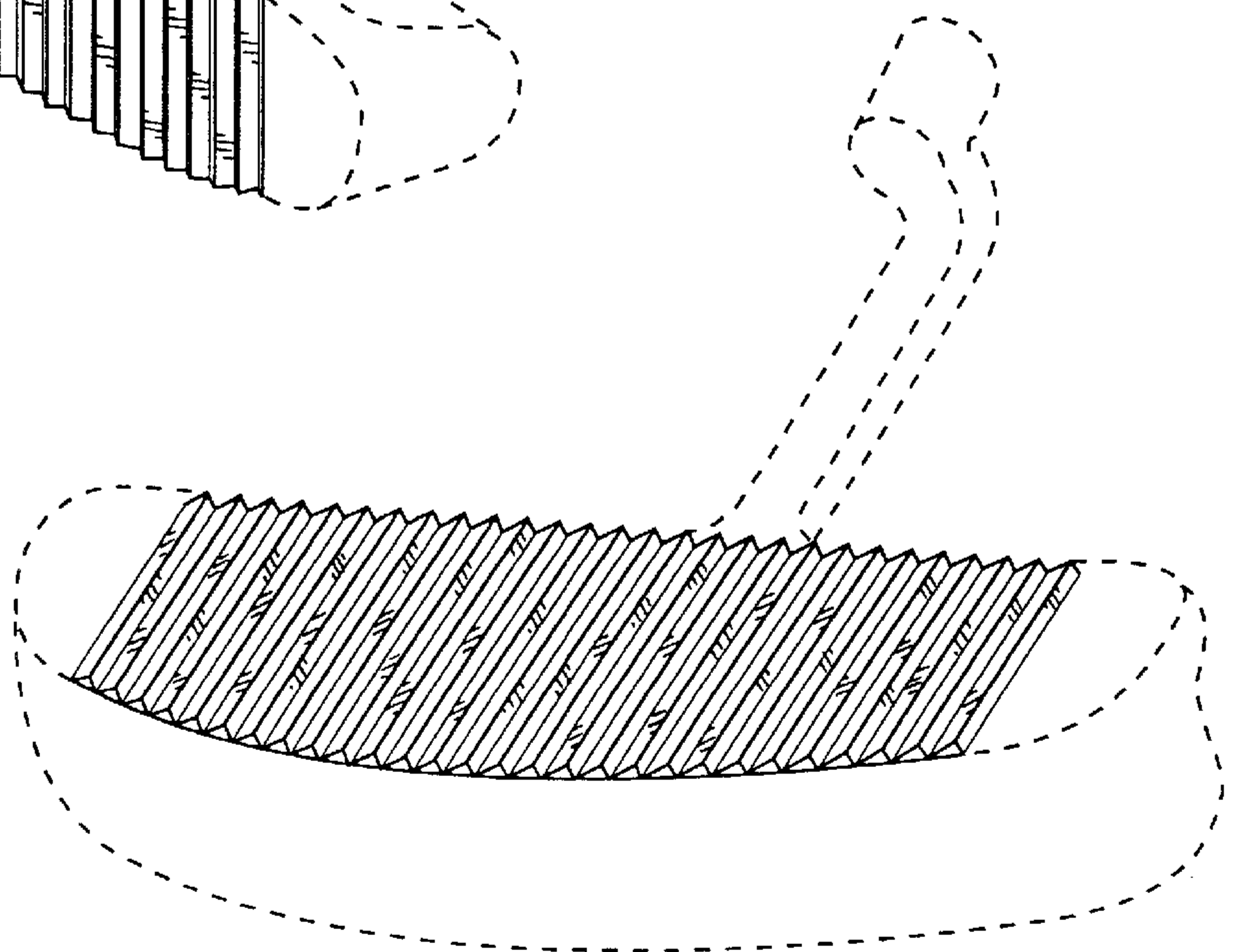


FIG. 3



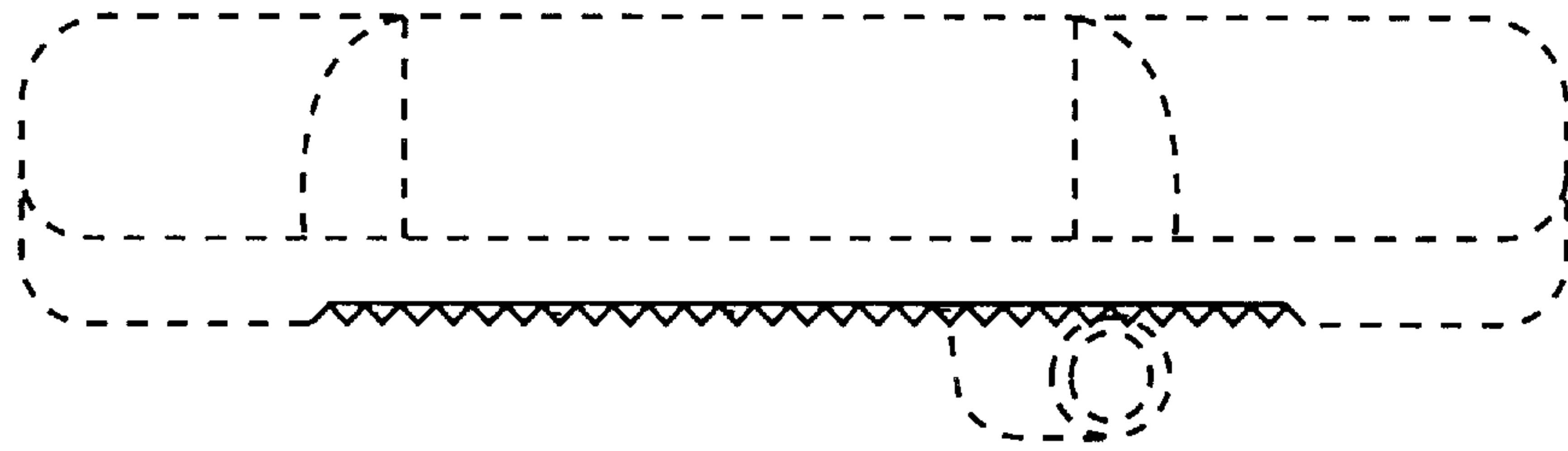


FIG. 4

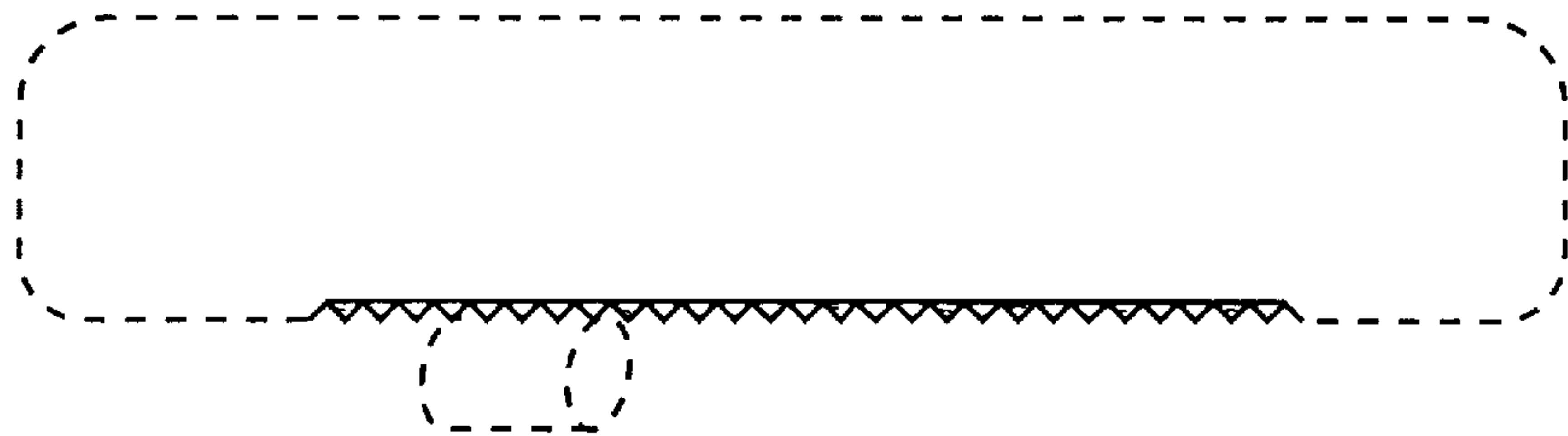


FIG. 5

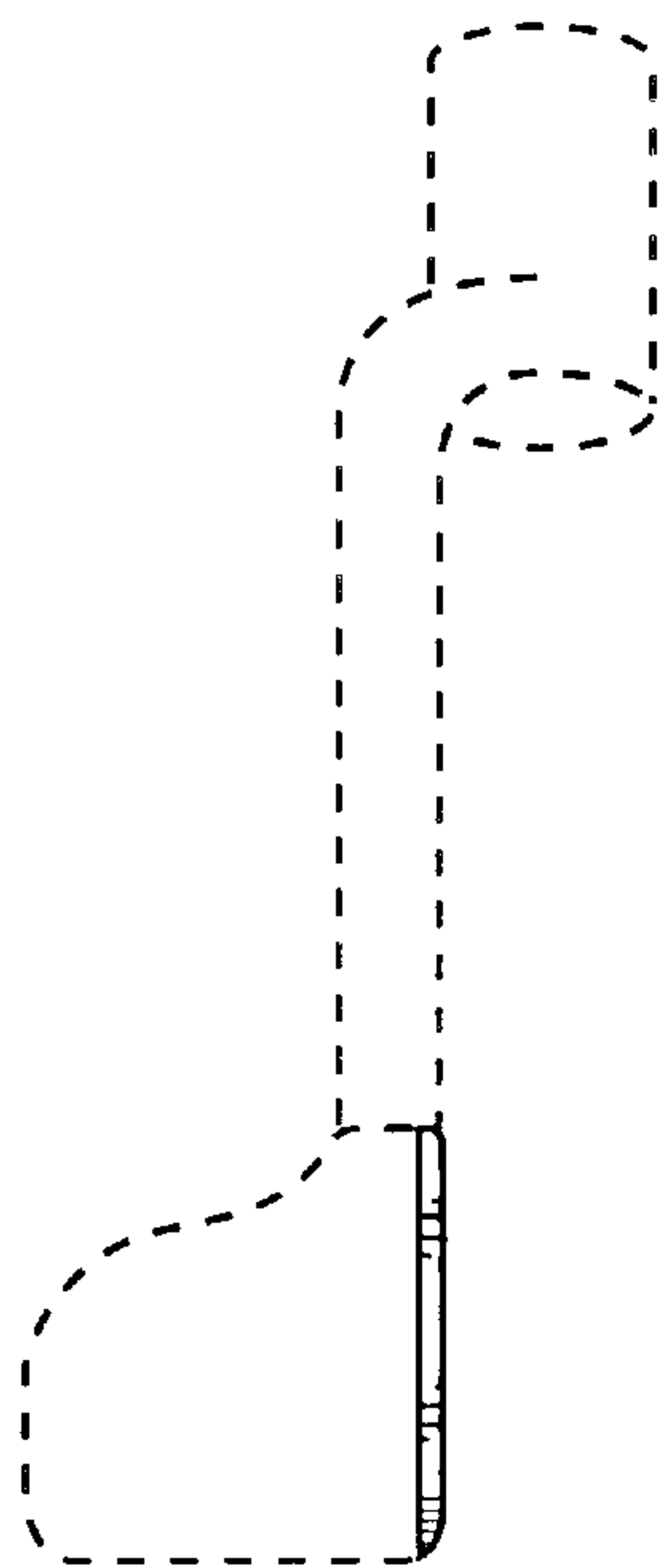


FIG. 6

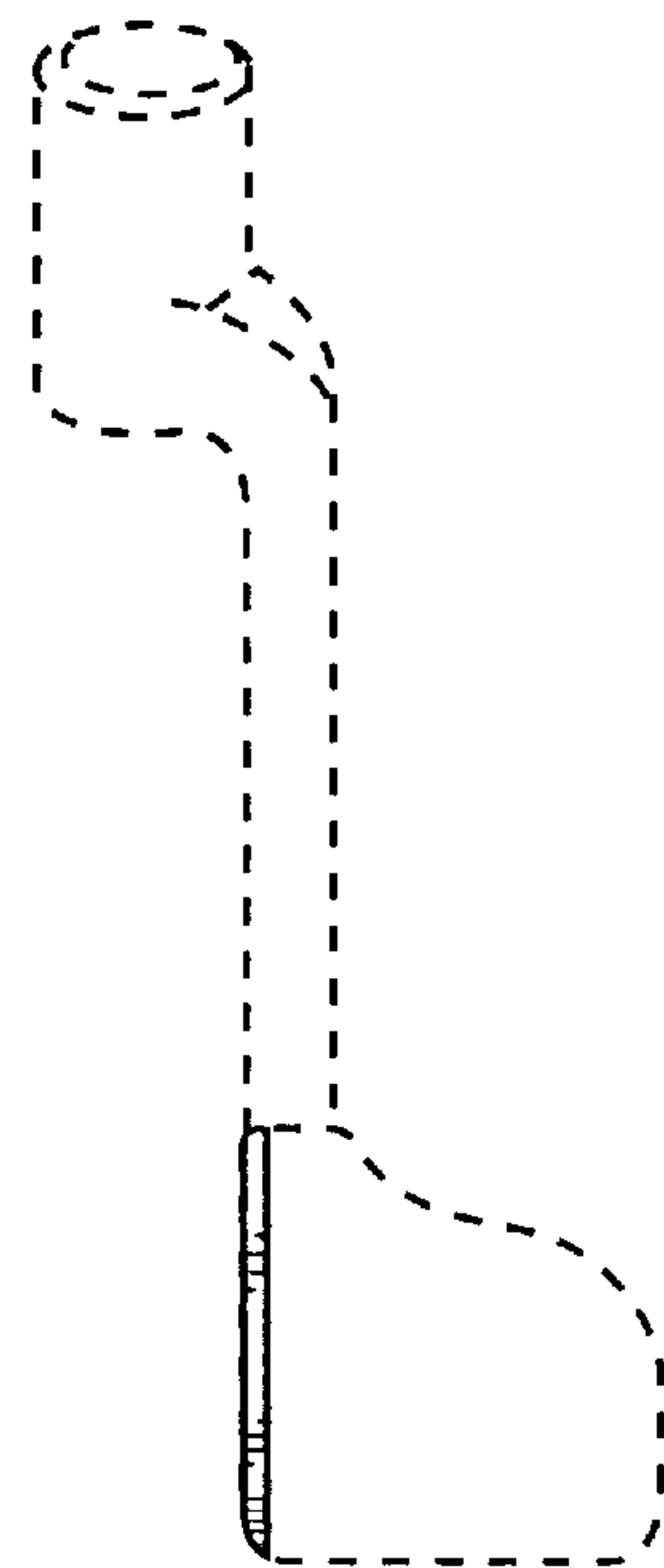


FIG. 7