



US00D400943S

United States Patent [19] Ezaki

[11] **Patent Number: Des. 400,943**

[45] **Date of Patent: **Nov. 10, 1998**

[54] **GOLF CLUB HEAD**

[75] Inventor: **Hiroshi Ezaki**, Saitama-ken, Japan

[73] Assignee: **Bridgestone Sports Co., Ltd.**, Tokyo, Japan

[**] Term: **14 Years**

[21] Appl. No.: **69,708**

[22] Filed: **Apr. 4, 1997**

[51] **LOC (6) Cl.** **21-02**

[52] **U.S. Cl.** **D21/220**

[58] **Field of Search** D21/220; 473/324, 473/327, 350

[56] **References Cited**

U.S. PATENT DOCUMENTS

D. 256,264	8/1980	Solheim	D21/220
D. 362,041	9/1995	Takahashi et al.	.	
D. 362,481	9/1995	Takahashi et al.	.	
3,814,437	6/1974	Winqvist	473/350
4,915,386	4/1990	Antonious	473/350
5,377,985	1/1995	Ohnishi	473/324
5,447,307	9/1995	Antonious	473/350
5,547,194	8/1996	Aizawa et al.	473/350

Primary Examiner—Sandra L. Morris
Assistant Examiner—Mitchell I. Siege
Attorney, Agent, or Firm—Sughrue, Mion, Zinn, Macpeak & Seas, PLLC

[57] **CLAIM**

The ornamental design for a golf club head, as shown and described.

DESCRIPTION

FIG. 1 is a top elevation view of a golf club head showing our new design;
FIG. 2 is a front elevation view thereof;
FIG. 3 is a bottom elevation view thereof;
FIG. 4 is a back side elevation view thereof;
FIG. 5 is an end elevation view thereof from the toe of the golf club head;
FIG. 6 is an end elevation view thereof from the heel of the golf club head;
FIG. 7 is a perspective back view illustrating the back of the golf club head and a portion of the sole;
FIG. 8 is a side sectional view along section line 8—8 as taken in FIG. 2; and,
FIG. 9 is a top sectional view taken along line 9—9 in FIG. 2 thereof.

1 Claim, 4 Drawing Sheets

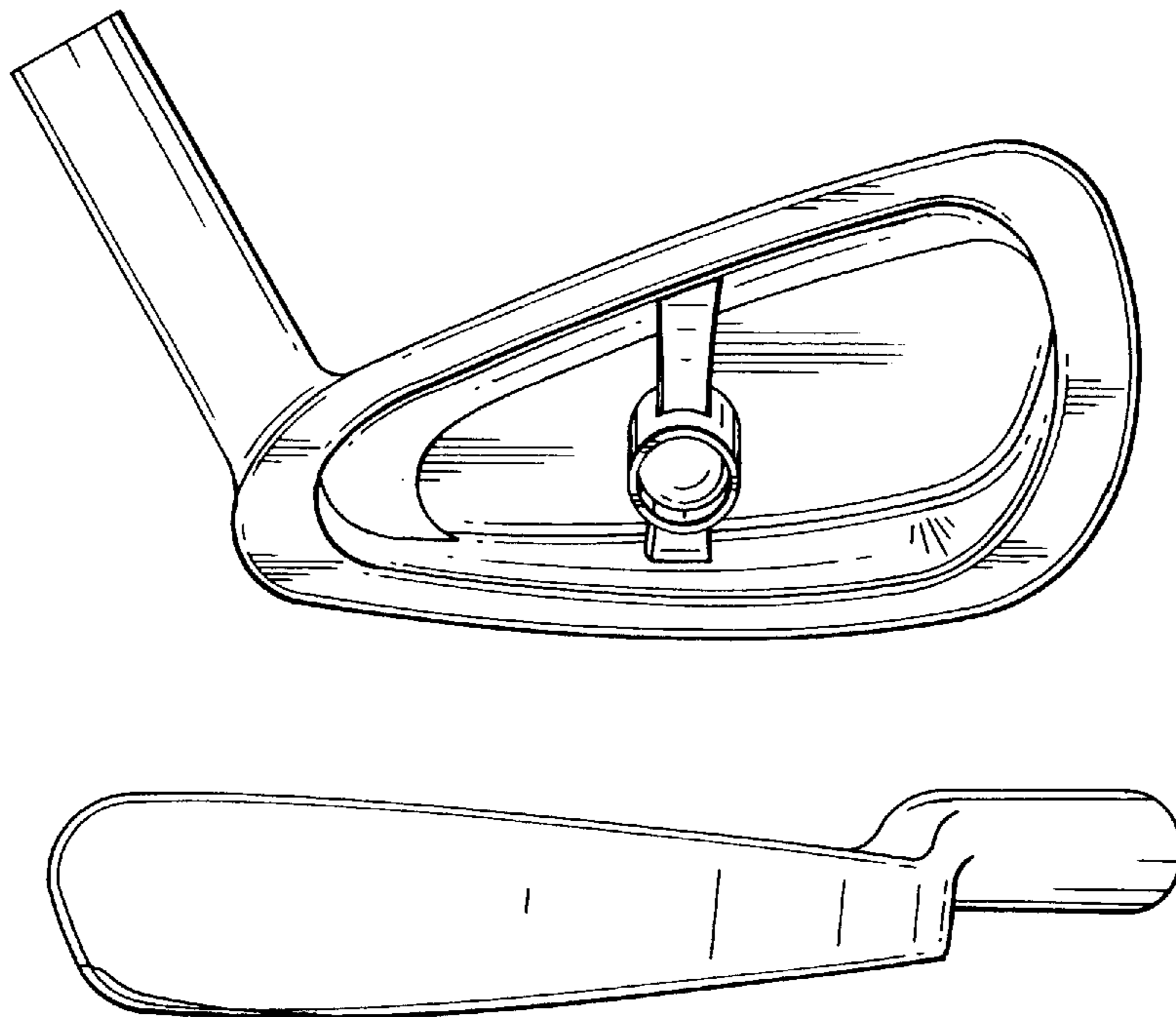


FIG. 1

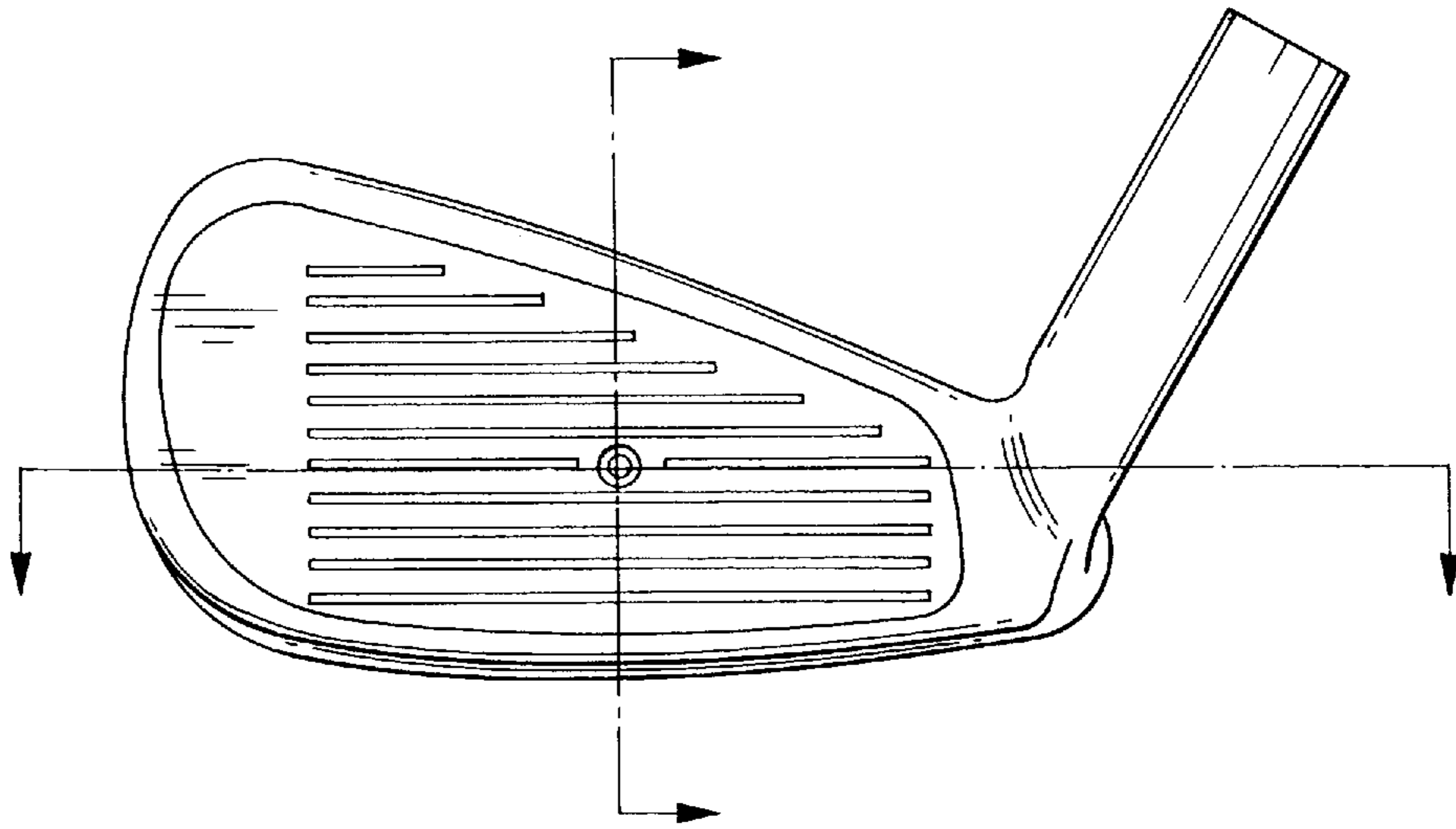


FIG. 2

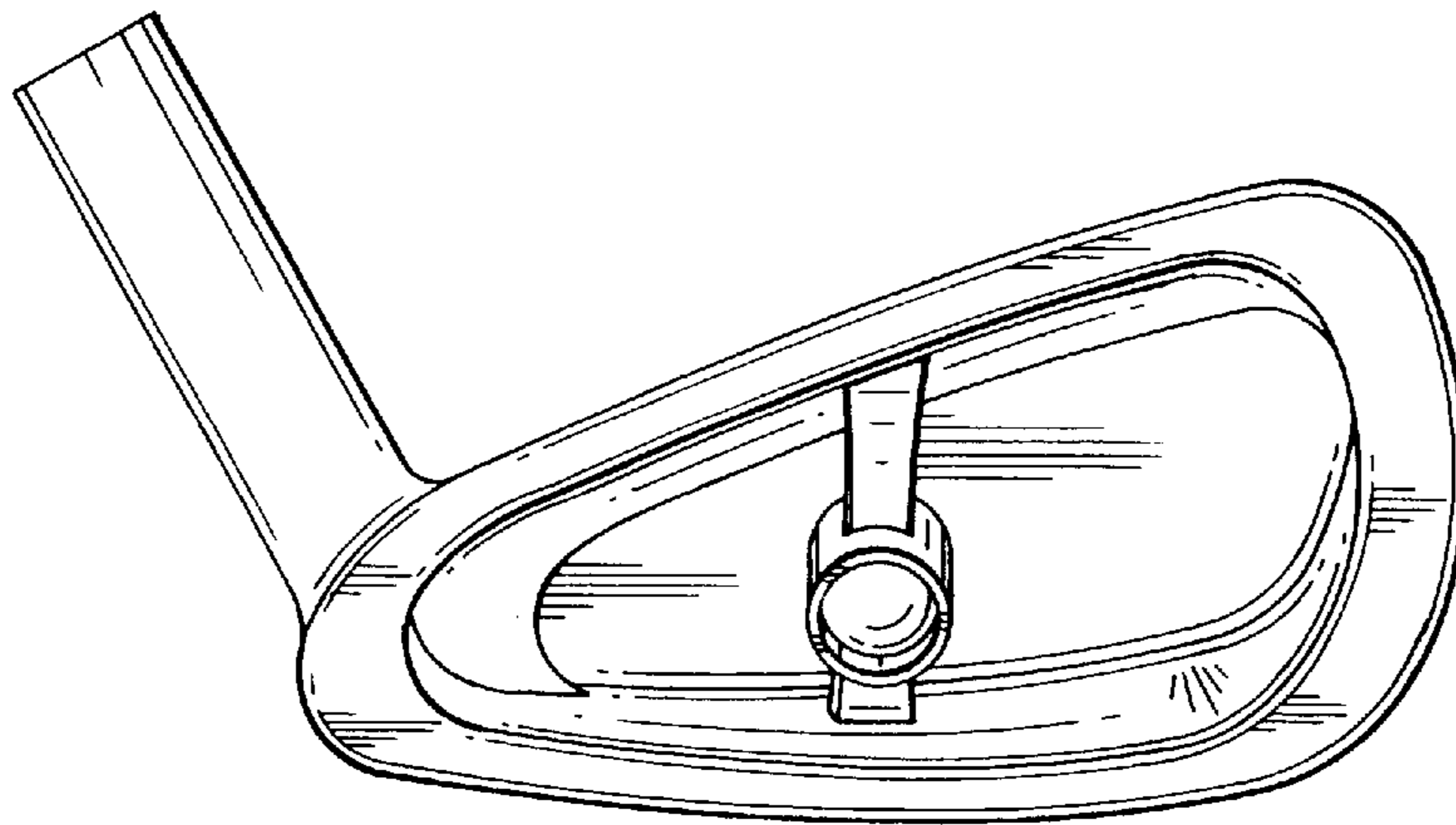


FIG. 3

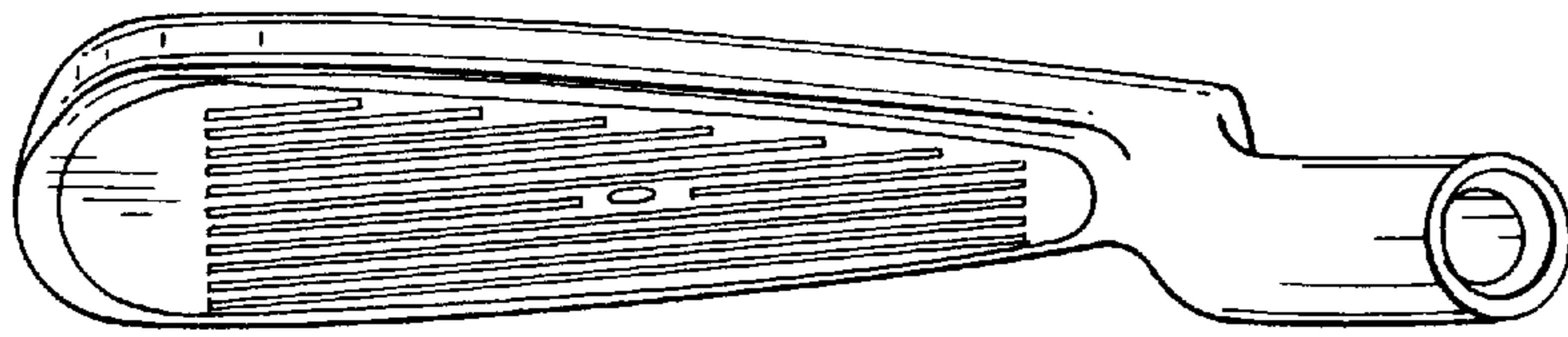


FIG. 4

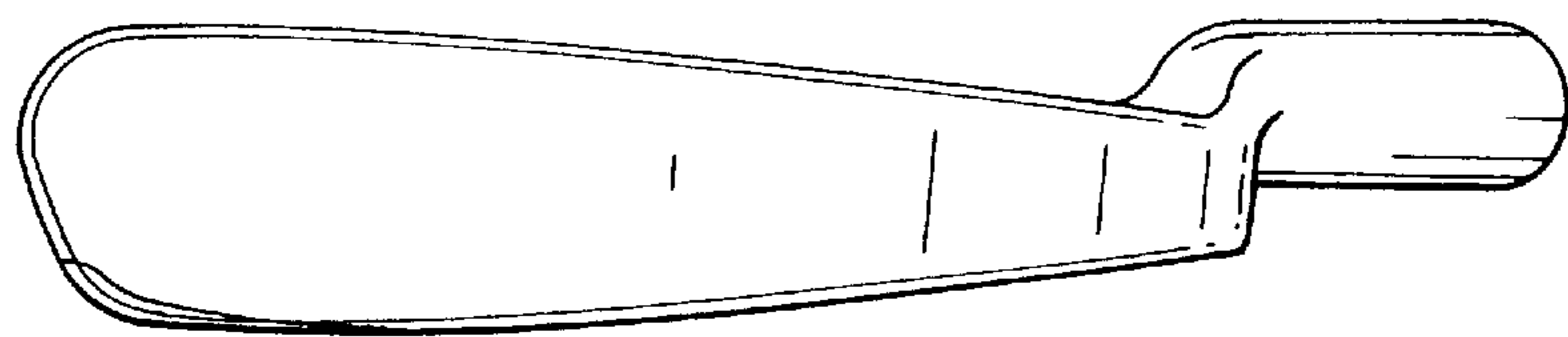


FIG. 5

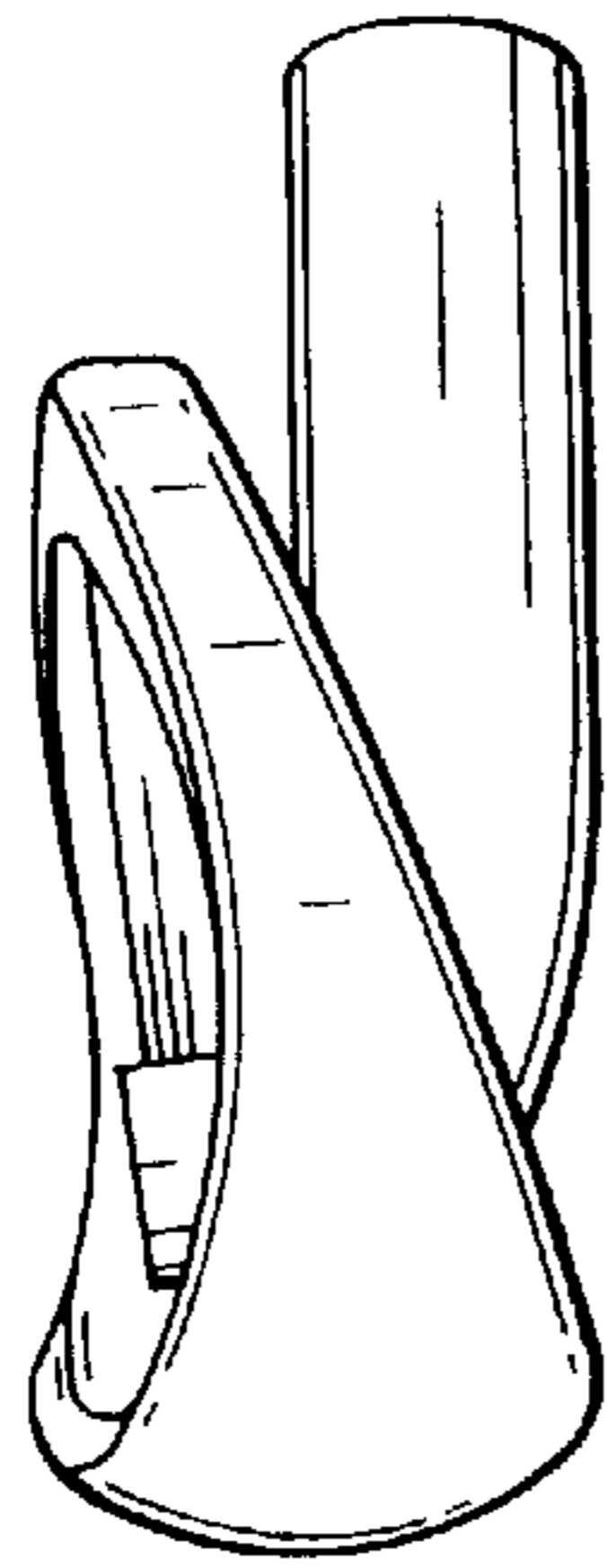


FIG. 6

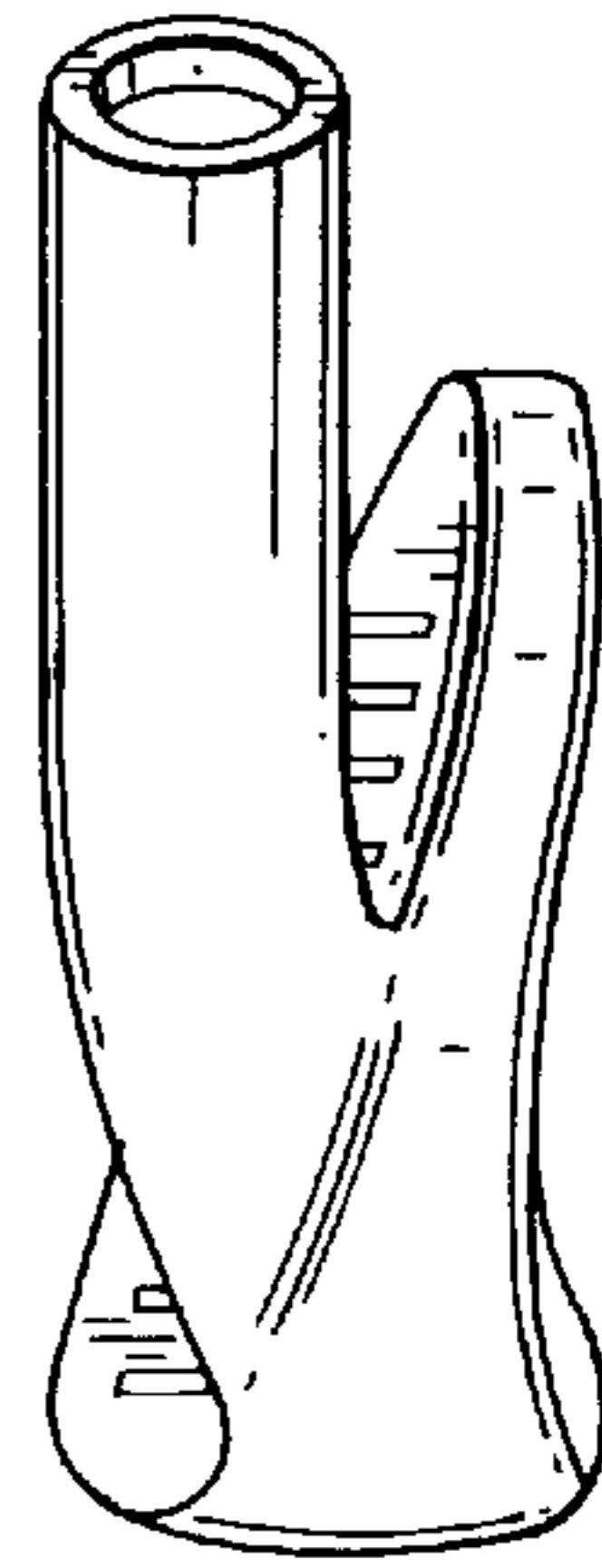


FIG. 7

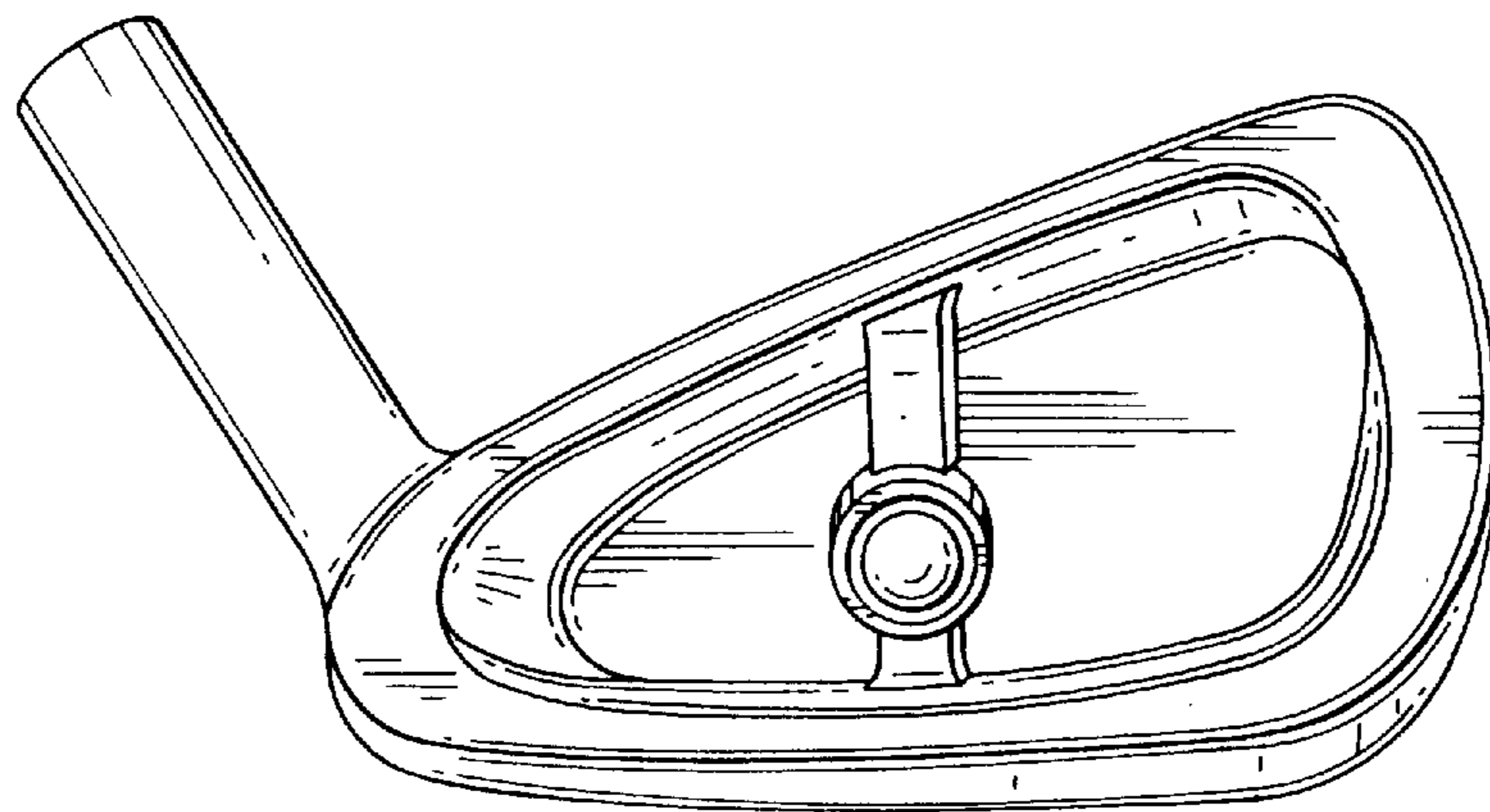


FIG. 8

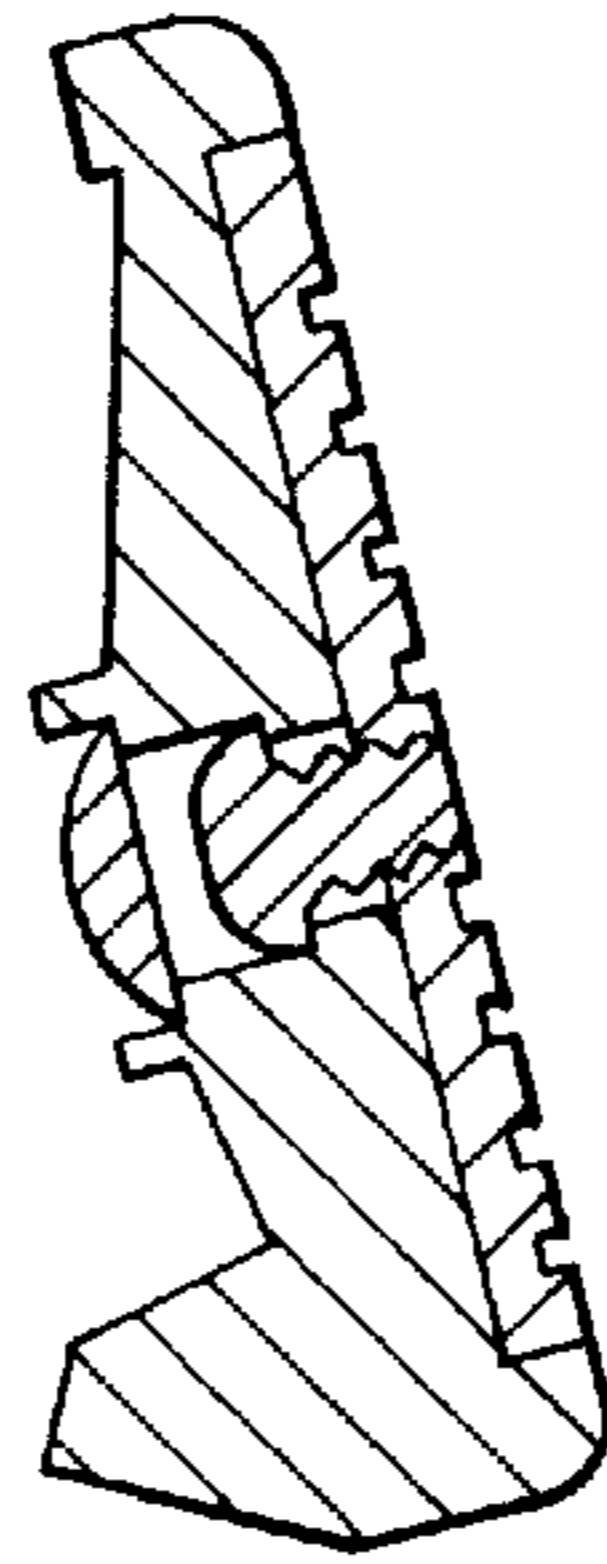


FIG. 9

