



US00D400939S

United States Patent [19]

Mortimer et al.

[11] Patent Number: **Des. 400,939**

[45] Date of Patent: ****Nov. 10, 1998**

[54] TOY

[76] Inventors: **Frank James Mortimer**, 28 Hamilton Hall, Markham, Ontario, Canada, L3P 3M3; **Jacques Mortimer**, 143 Wales Ave., Markham, Ontario, Canada, L3P 3K3

[**] Term: **14 Years**

[21] Appl. No.: **67,797**

[22] Filed: **Mar. 12, 1997**

[30] Foreign Application Priority Data

Sep. 13, 1996 [CA] Canada 1996-2043

[51] LOC (6) Cl. **21-01**

[52] U.S. Cl. **D21/134; D21/59; D21/189**

[58] Field of Search D21/59, 128, 154, D21/189; D12/111, 112; 446/269, 275, 279, 286; 280/205, 229, 250.1, 263-269

[56] References Cited

U.S. PATENT DOCUMENTS

D. 105,370 7/1937 Berry D12/112

D. 156,658	12/1949	Rahn	D21/134
D. 161,896	2/1951	Berger	D21/134
D. 357,215	4/1995	Cummings	D12/112
1,042,294	10/1912	Torluemke	446/286
2,035,870	3/1936	Dombrowski	446/286

Primary Examiner—Dominic Simone
Attorney, Agent, or Firm—Huntley & Associates

[57] CLAIM

The ornamental design of a toy, as shown and described.

DESCRIPTION

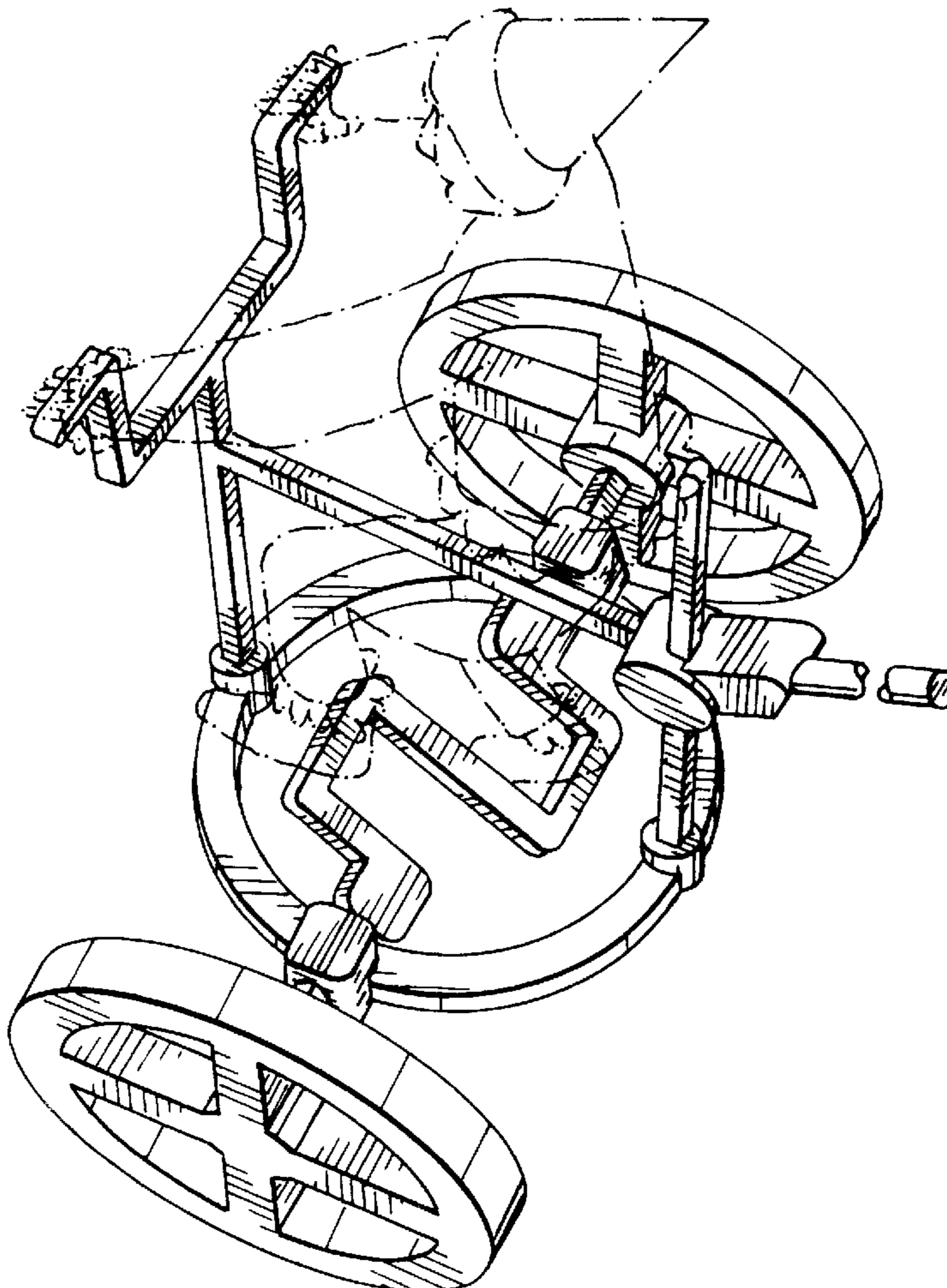
FIG. 1 is a right, top, perspective view of a toy showing our new design, the clown shown in broken lines for illustrative purposes only and form no part of the claimed design;

FIG. 2 is a left side elevational view thereof, the right side being a mirror image;

FIG. 3 is a bottom plan view thereof; and,

FIG. 4 is a front elevational view thereof.

1 Claim, 2 Drawing Sheets



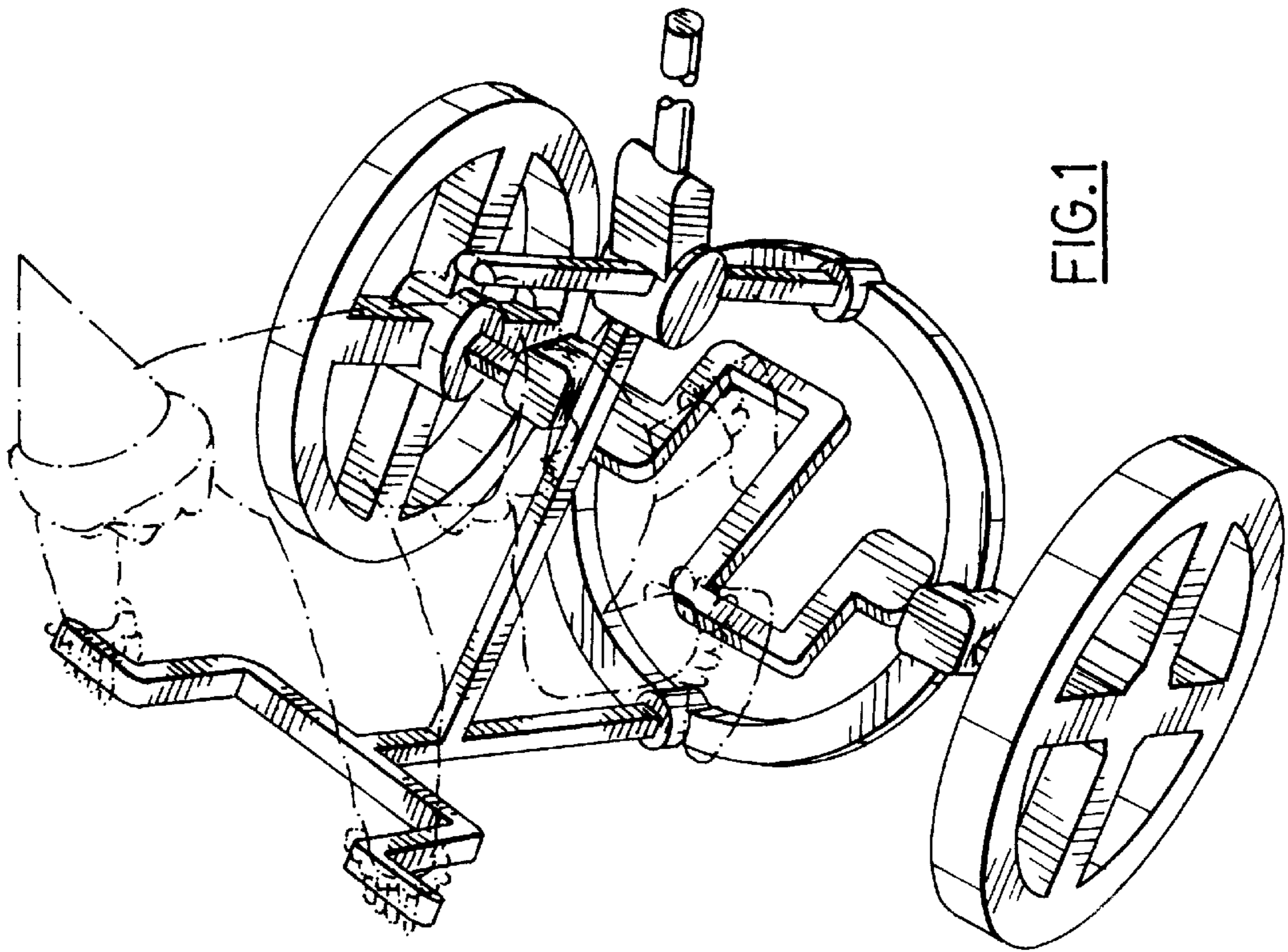


FIG. 1

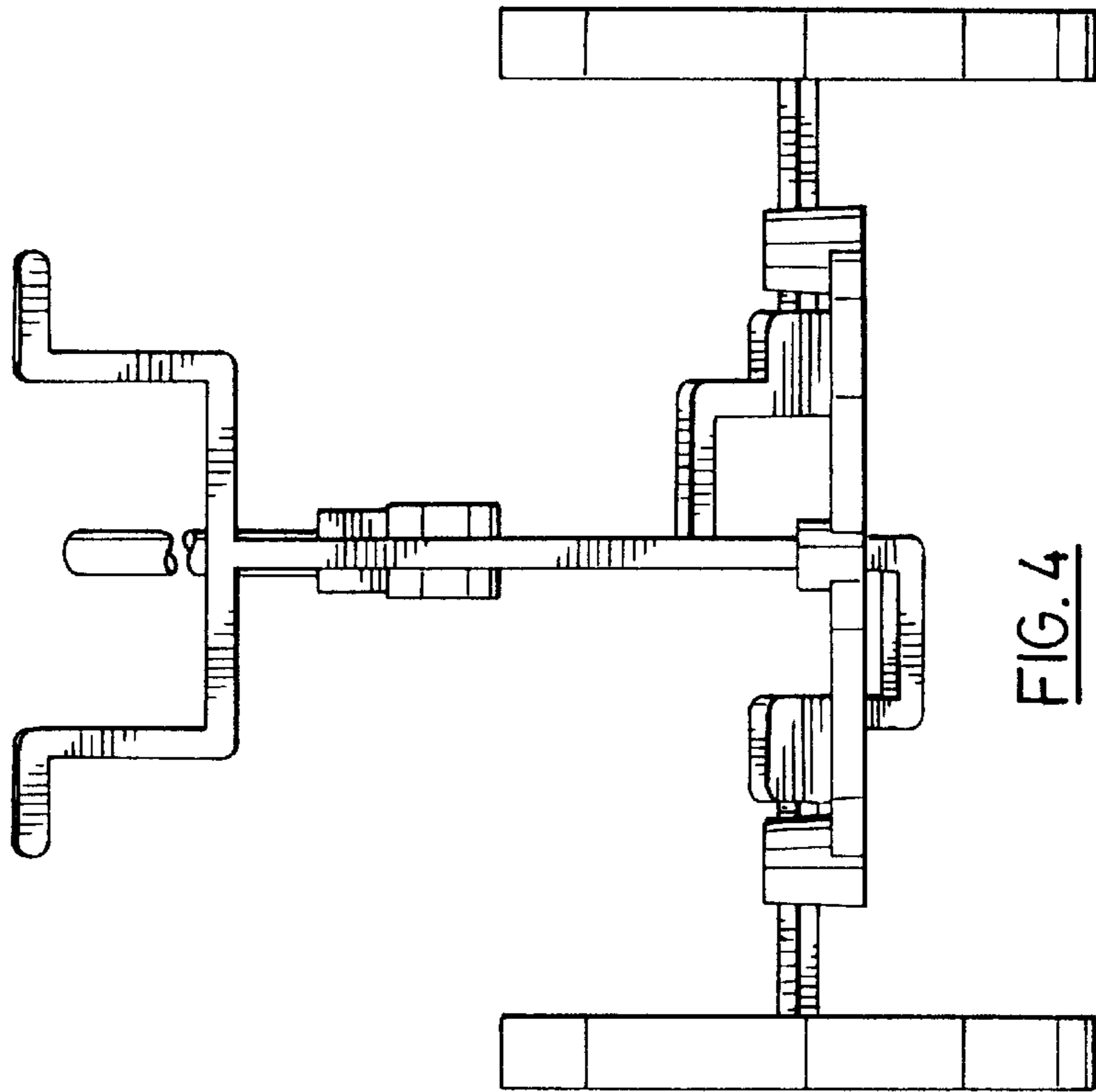


FIG. 4

