



US00D400938S

United States Patent [19]

[11] Patent Number: **Des. 400,938**

Blumenthal

[45] Date of Patent: ****Nov. 10, 1998**

[54] **TOY CARWASH AND GAS STATION COMBINATION**

2,298,431 10/1942 Sullivan D21/118
4,433,504 2/1984 Terui 446/75
4,767,375 8/1988 Fassman 446/476

[76] Inventor: **Martin Blumenthal**, 99 Longview Ave., Chatham, N.J. 07928

Primary Examiner—Raphael Barkai
Attorney, Agent, or Firm—Amster, Rothstein & Ebenstein

[**] Term: **14 Years**

[57] CLAIM

[21] Appl. No.: **66,752**

The ornamental design for a toy carwash and gas station combination, as shown and described.

[22] Filed: **Feb. 20, 1997**

DESCRIPTION

[51] **LOC (6) Cl.** **21-01**

[52] **U.S. Cl.** **D21/118**

[58] **Field of Search** D21/59, 109, 114-119, D21/242-244, 128, 134, 143; D25/13, 19, 56; D3/274, 905; 446/423, 476, 478, 75, 76

FIG. 1 is a perspective view from the top, front and one side of a toy carwash and gas station combination showing my new design;

FIG. 2 is a front elevational view thereof;

FIG. 3 is a rear elevational view thereof;

FIG. 4 is a side elevational view thereof from the one side;

FIG. 5 is a side elevational view thereof from the other side;

FIG. 6 is a top plan view thereof; and,

FIG. 7 is a bottom plan view thereof.

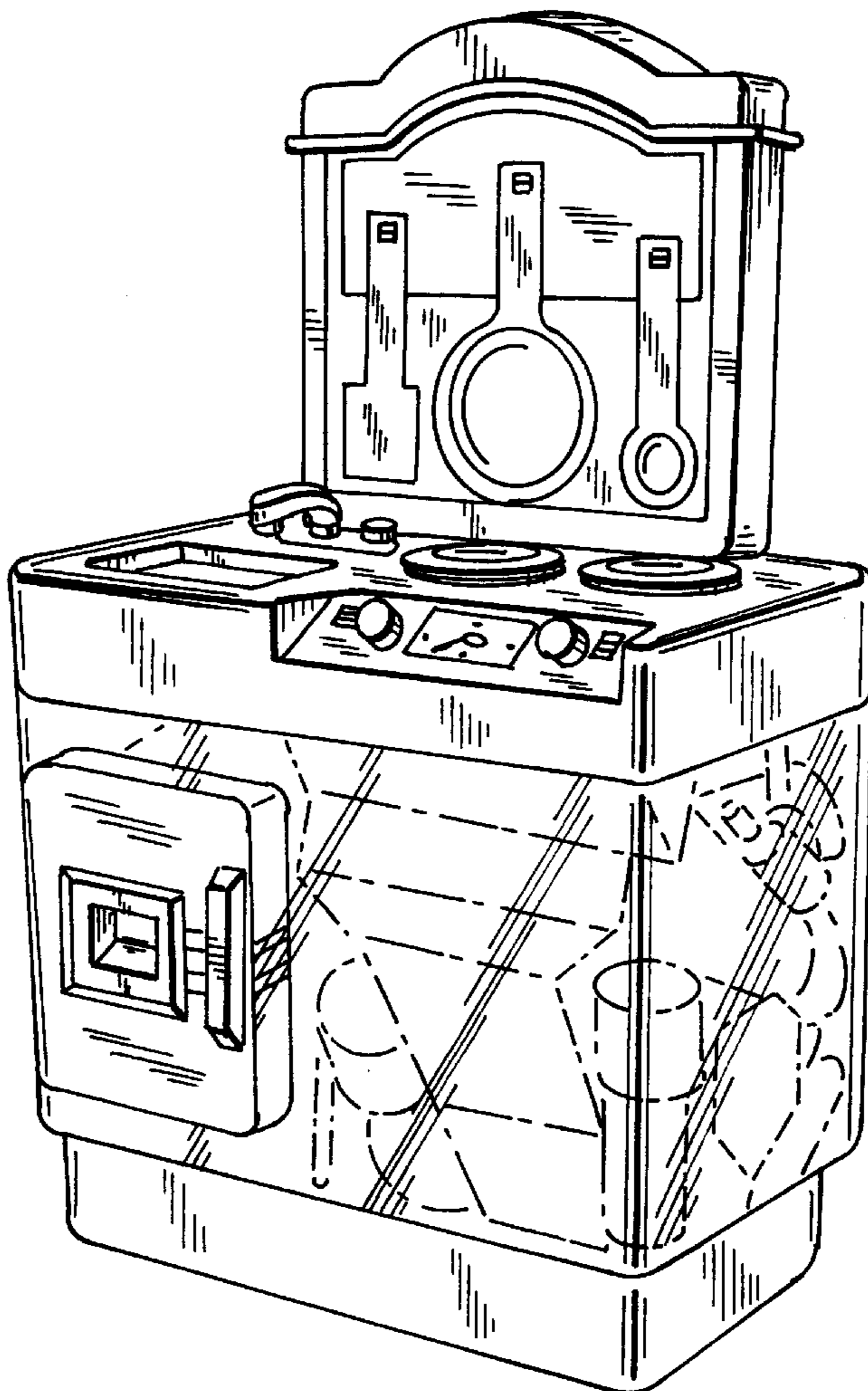
The broken lines appearing in FIGS. 1-7 form no part of the claimed design.

[56] References Cited

U.S. PATENT DOCUMENTS

D. 208,096 7/1967 Ostrander D21/118
D. 265,220 6/1982 Orenstein D21/118
D. 303,407 9/1989 Mazzocco D21/118
2,040,521 5/1936 Marx D21/118

1 Claim, 7 Drawing Sheets



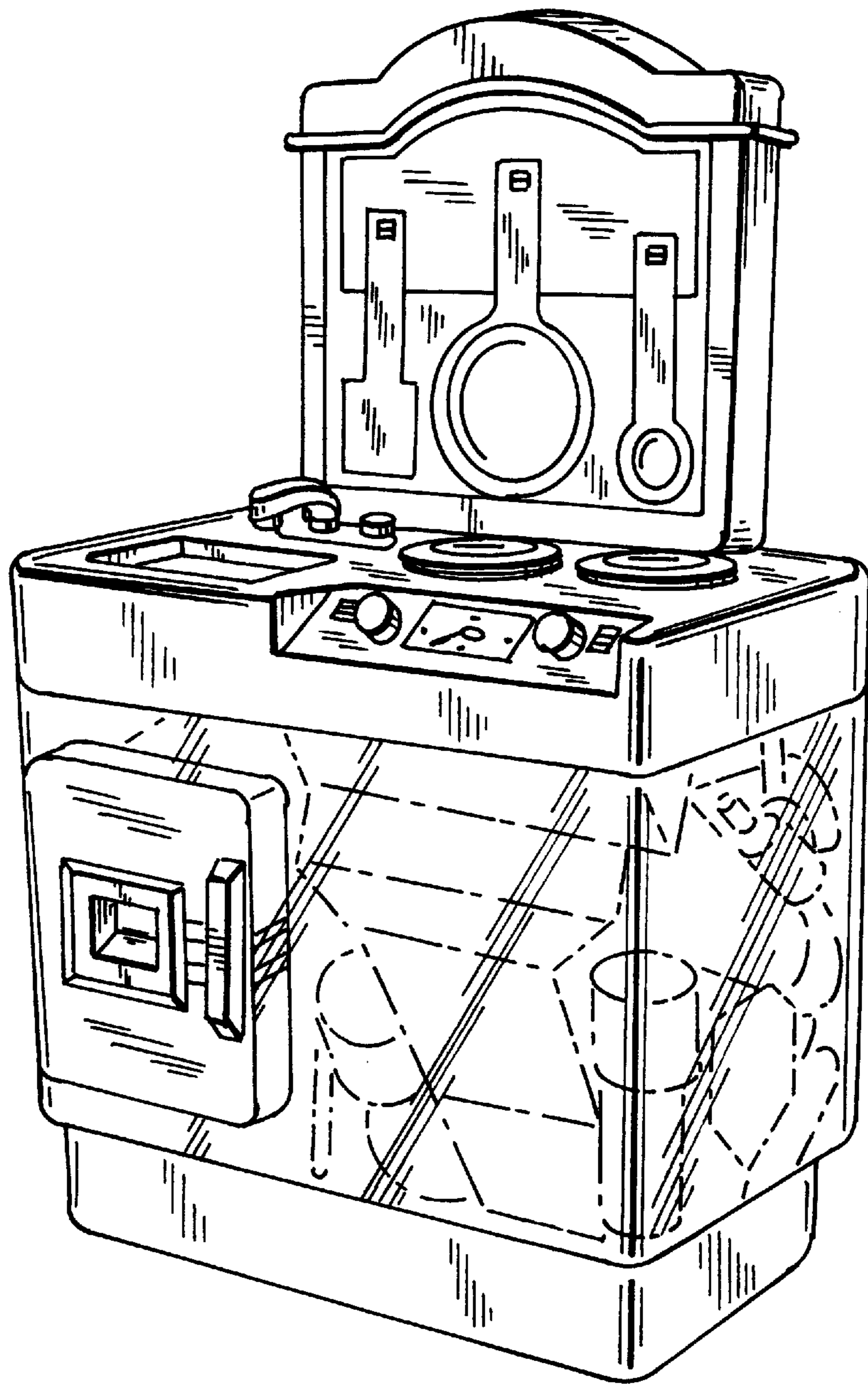


FIG. 1

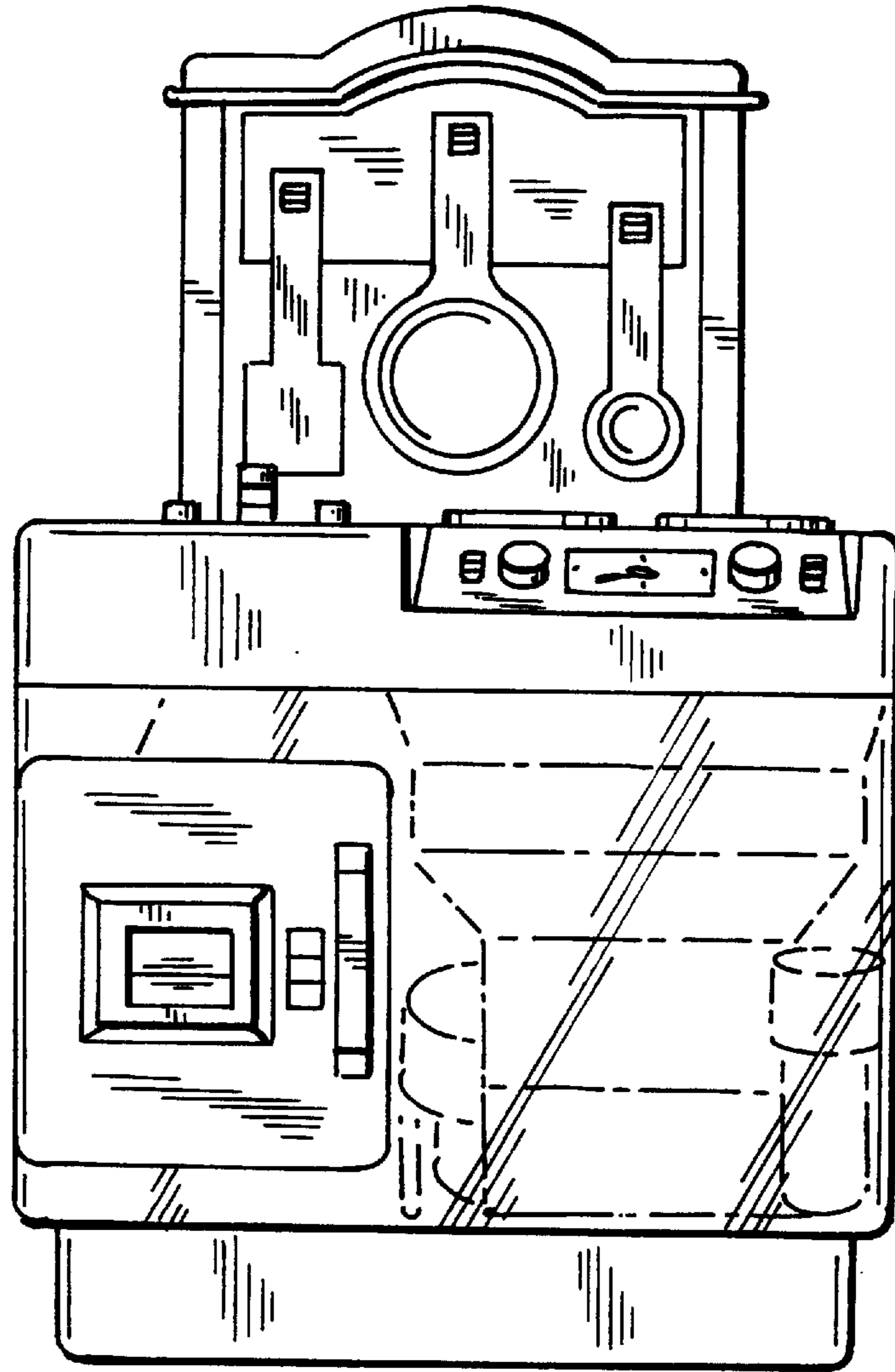


FIG. 2

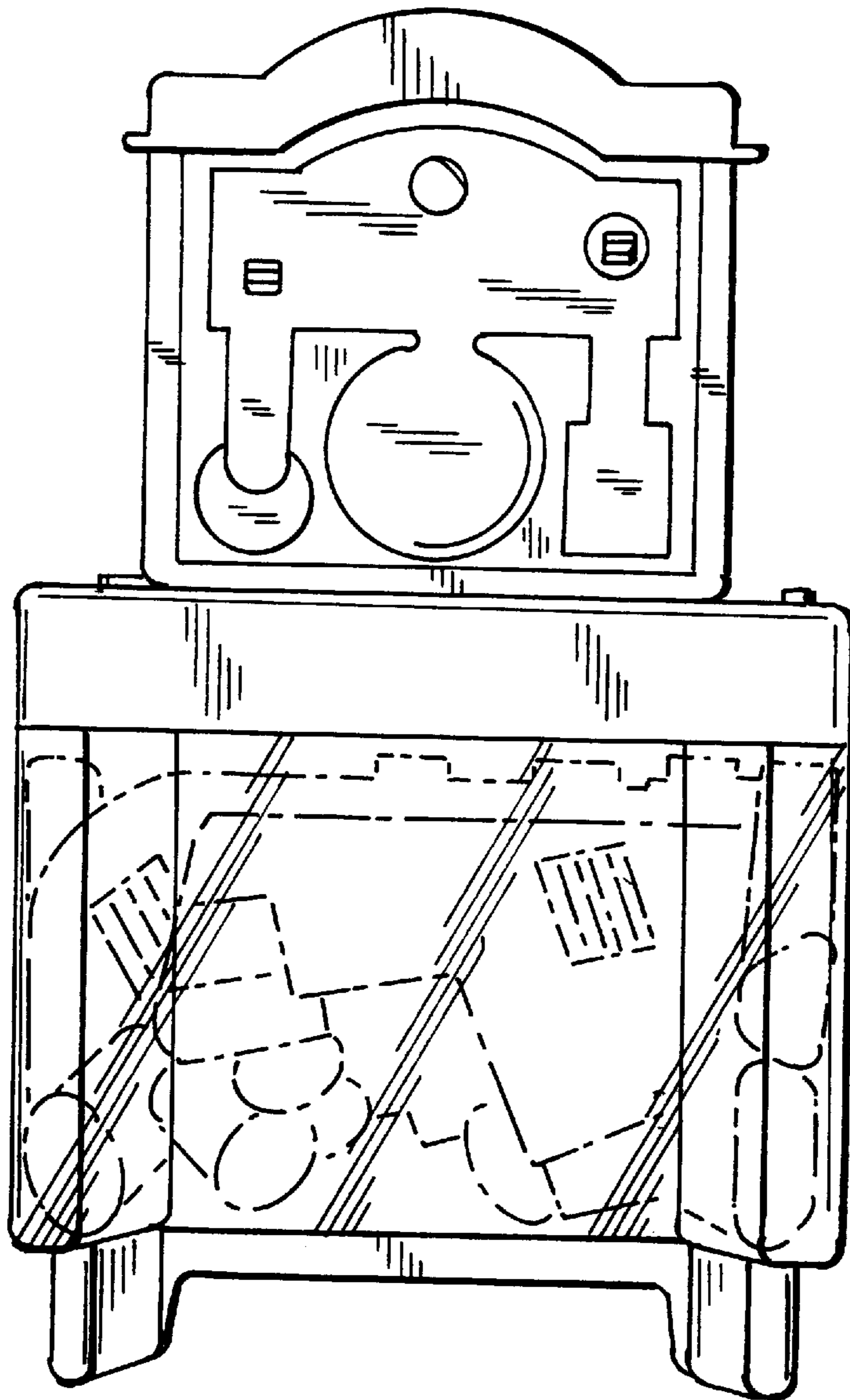


FIG. 3

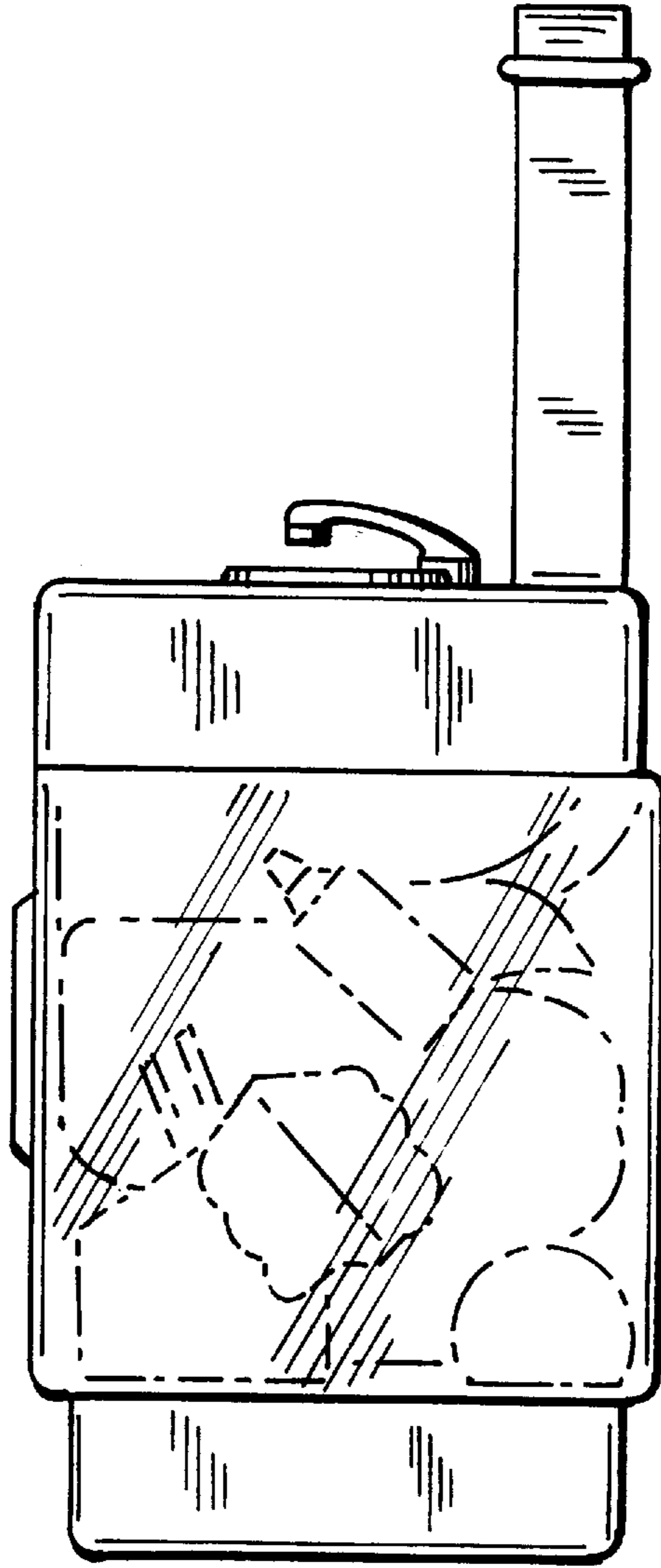


FIG. 4

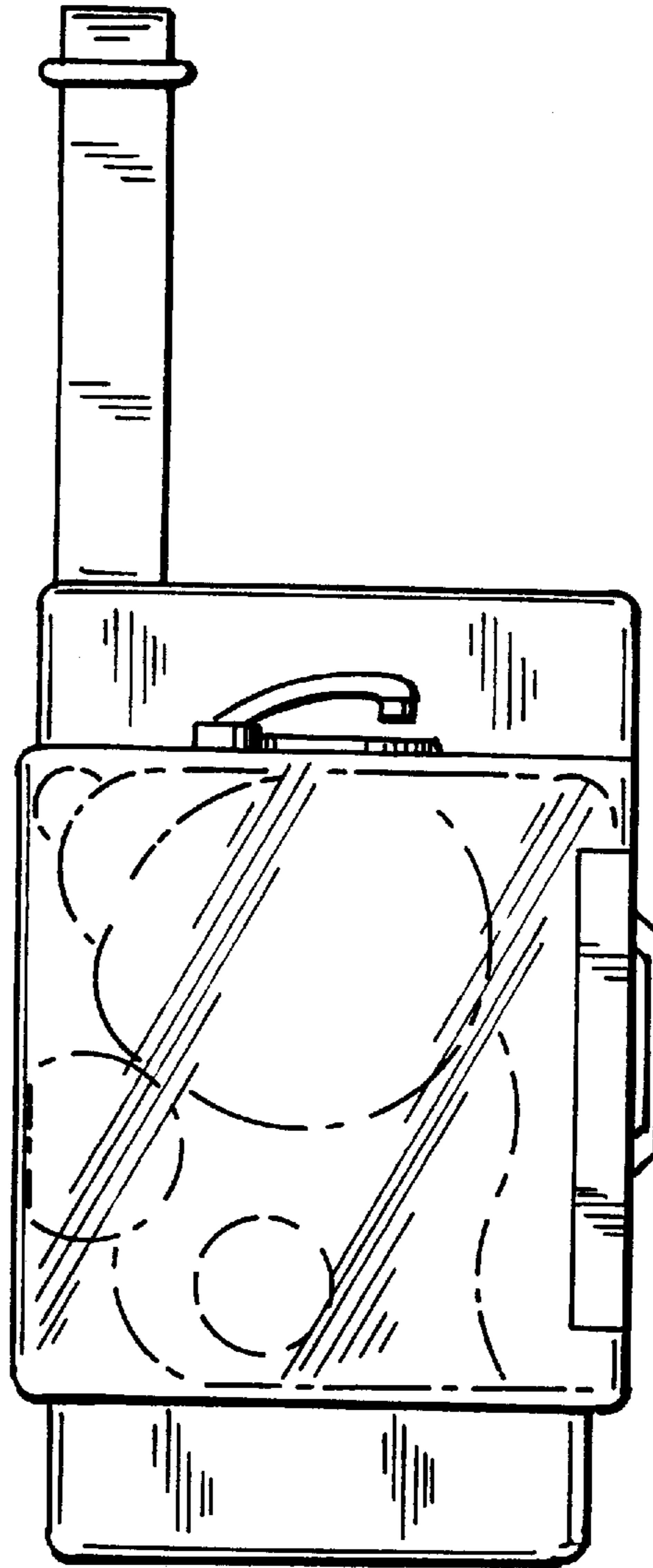


FIG. 5

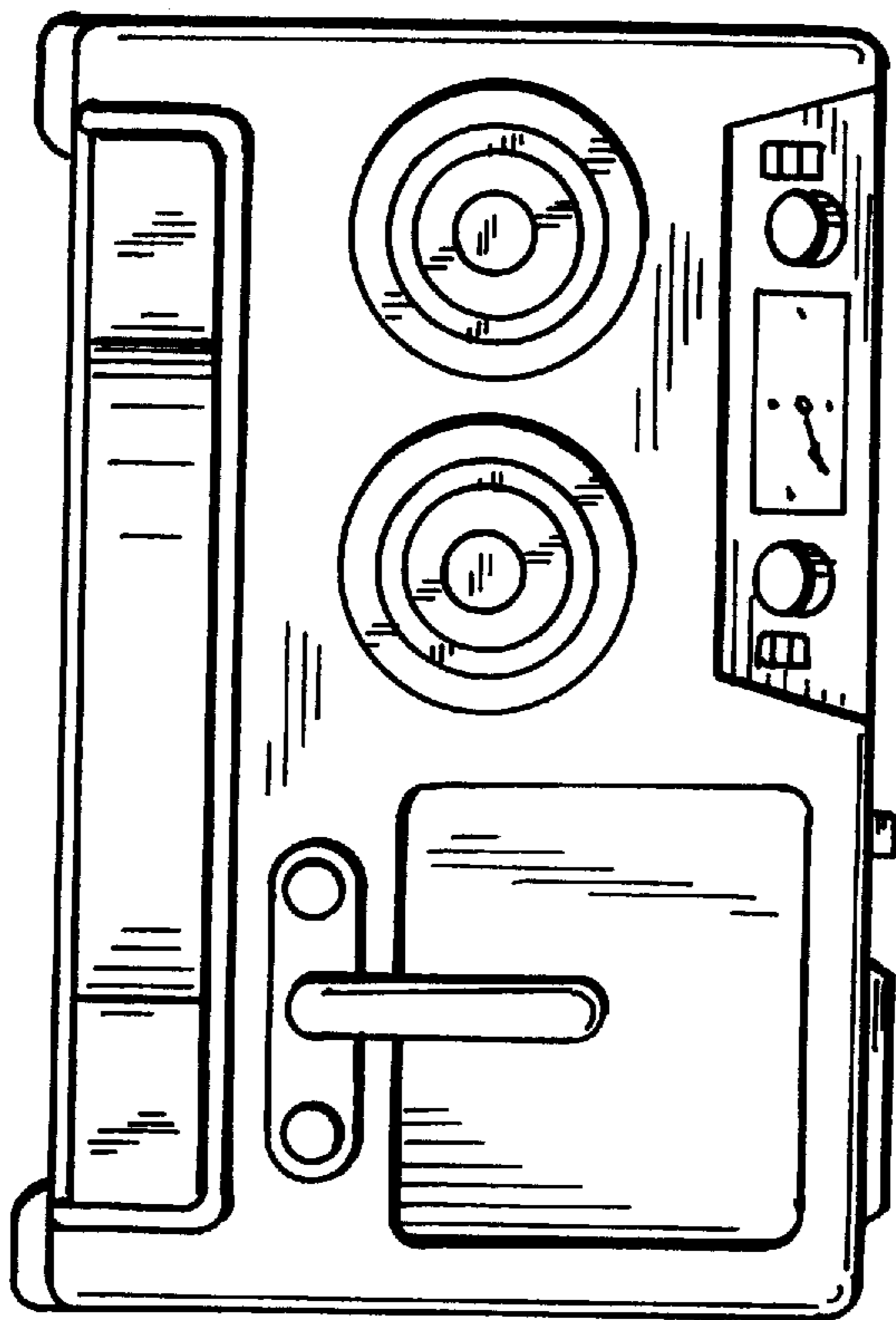


FIG. 6

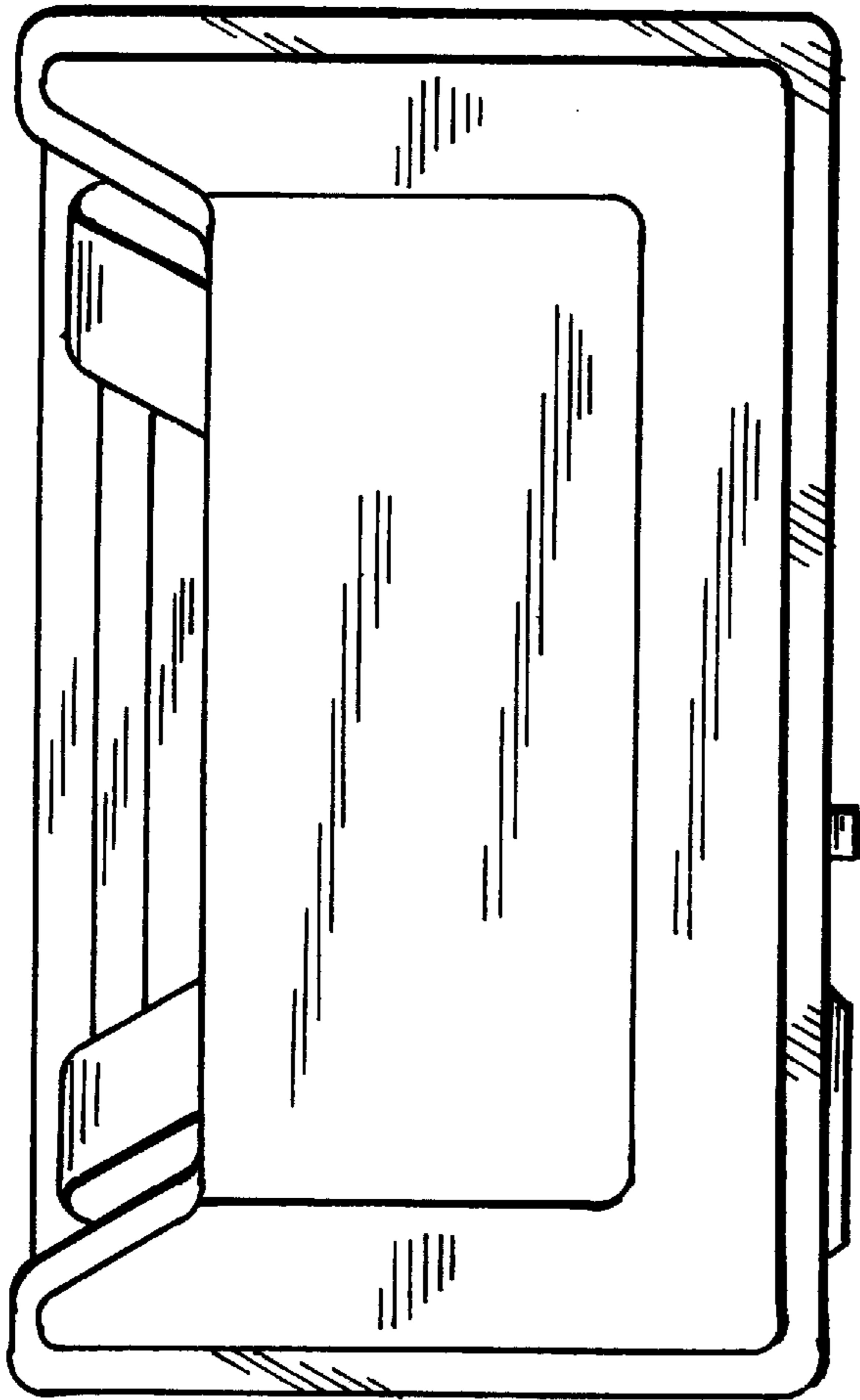


FIG. 7

UNITED STATES PATENT AND TRADEMARK OFFICE
CERTIFICATE OF CORRECTION

PATENT NO. : D 400,938
DATED : November 10, 1998
INVENTOR(S) : Martin Blumenthal

Page 1 of 9

It is certified that error appears in the above-identified patent and that said Letters Patent is hereby corrected as shown below:

The title page showing the illustrative figure should be deleted, and substitute therefore the attached title page.

In the drawings, delete Figs. 1-7, and substitute therefore the corrected Figs. 1-7, as shown on the attached pages.

Signed and Sealed this
Sixth Day of July, 1999

Attest:



Q. TODD DICKINSON

Attesting Officer

Acting Commissioner of Patents and Trademarks

United States Patent [19]
Blumenthal

[11] **Patent Number: Des. 400,938**
 [45] **Date of Patent: **Nov. 10, 1998**

[54] **TOY CARWASH AND GAS STATION COMBINATION**

2,298,431 10/1942 Sullivan D21/118
 4,433,504 2/1984 Terui 446/75
 4,767,375 8/1988 Fassman 446/476

[76] **Inventor: Martin Blumenthal, 99 Longview Ave., Chatham, N.J. 07928**

Primary Examiner—Raphael Barkai
Attorney, Agent, or Firm—Amster, Rothstein & Ebenstein

[**] **Term: 14 Years**

[57] **CLAIM**

[21] **Appl. No.: 66,752**

The ornamental design for a toy carwash and gas station combination, as shown and described.

[22] **Filed: Feb. 20, 1997**

DESCRIPTION

[51] **LOC (6) Cl. 21-01**

[52] **U.S. Cl. D21/118**

[58] **Field of Search D21/59, 109, 114-119, D21/242-244, 128, 134, 143; D25/13, 19, 56; D3/274, 905; 446/423, 476, 478, 75, 76**

FIG. 1 is a perspective view from the top, front and one side of a toy carwash and gas station combination showing my new design;

FIG. 2 is a front elevational view thereof;

FIG. 3 is a rear elevational view thereof;

FIG. 4 is a side elevational view thereof from the one side;

FIG. 5 is a side elevational view thereof from the other side;

FIG. 6 is a top plan view thereof; and,

FIG. 7 is a bottom plan view thereof.

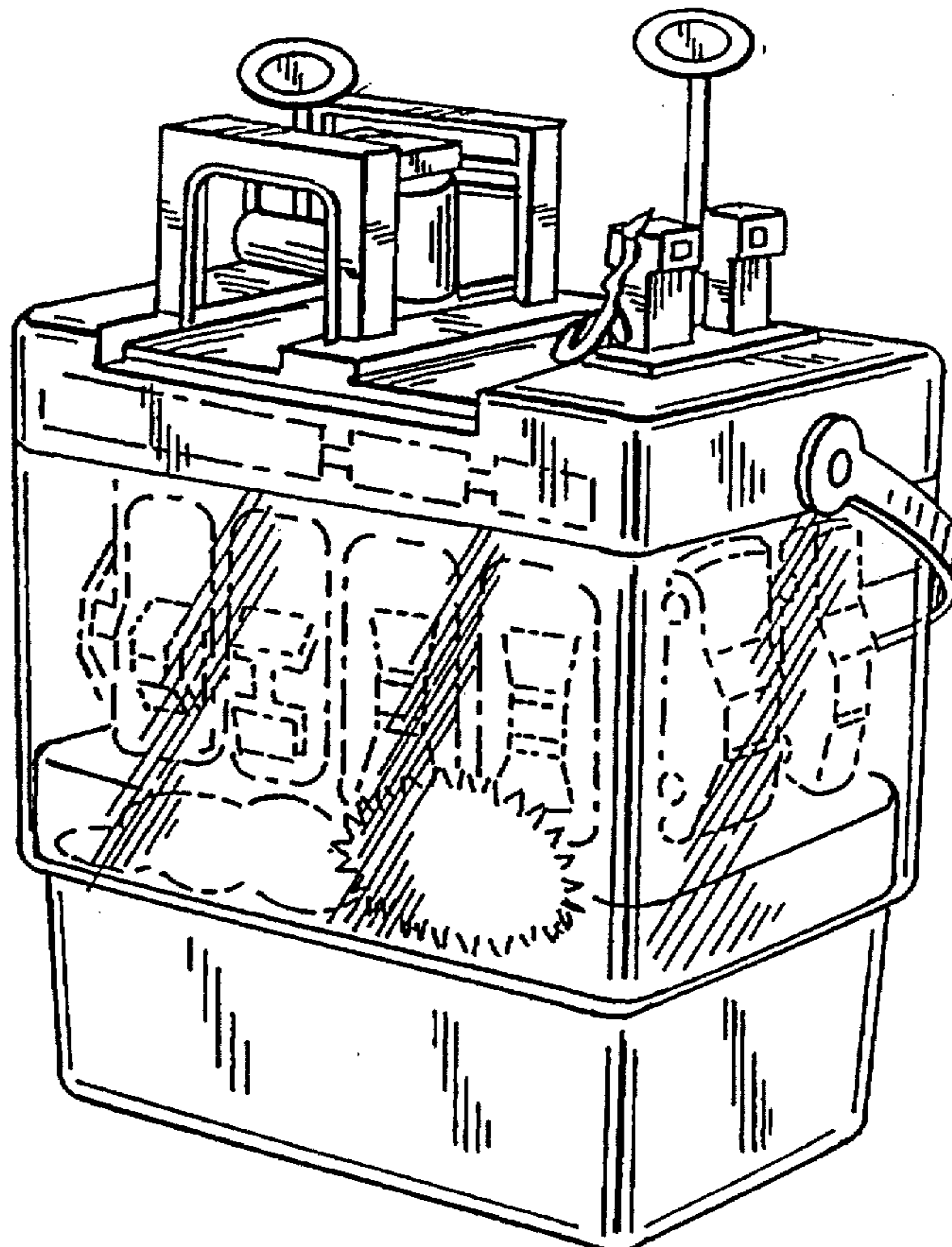
The broken lines appearing in FIGS. 1-7 form no part of the claimed design.

[56] **References Cited**

U.S. PATENT DOCUMENTS

D. 208,096 7/1967 Ostrander D21/118
 D. 265,220 6/1982 Orenstein D21/118
 D. 303,407 9/1989 Mazzocco D21/118
 2,040,521 5/1936 Marx D21/118

1 Claim, 7 Drawing Sheets



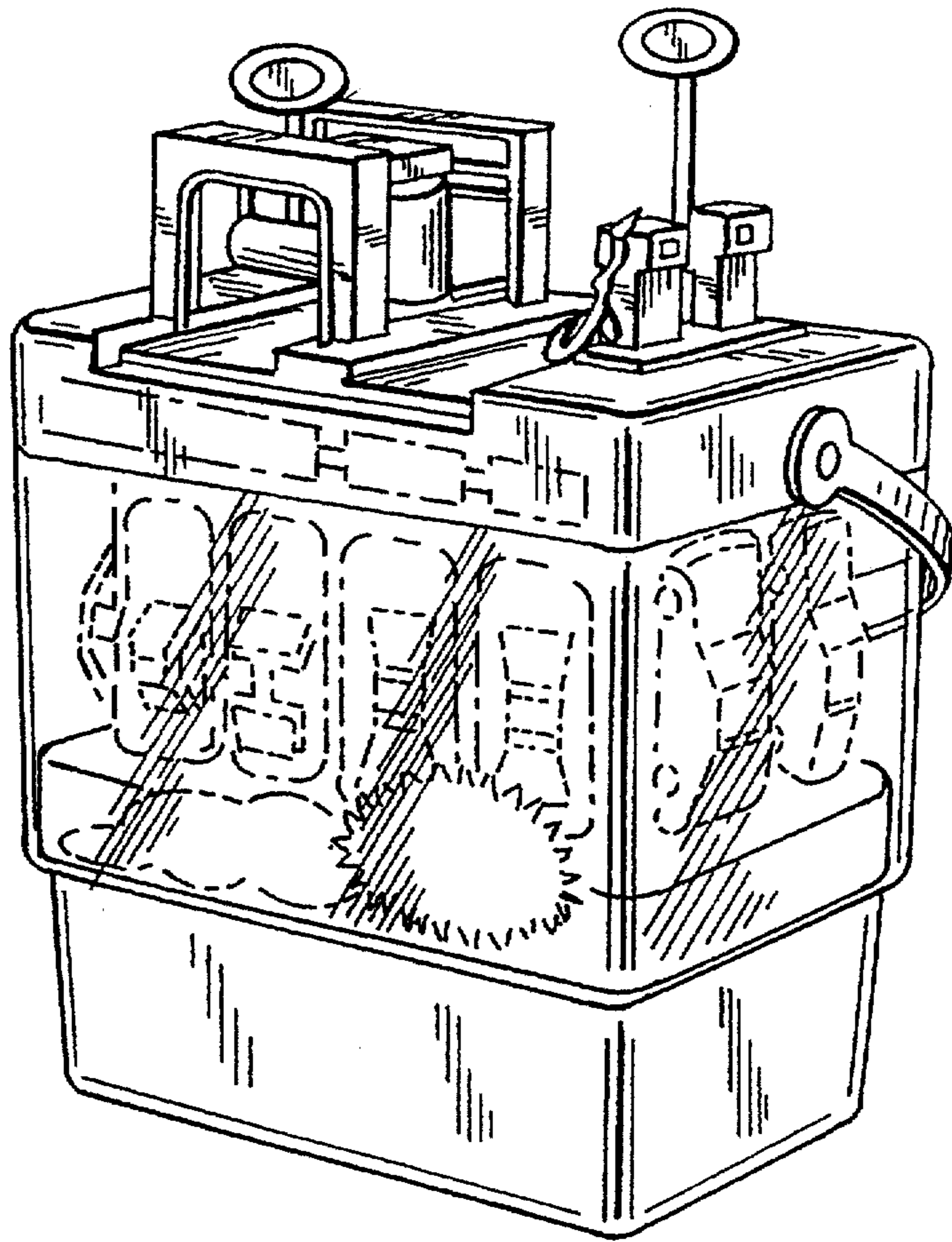


FIG. 1

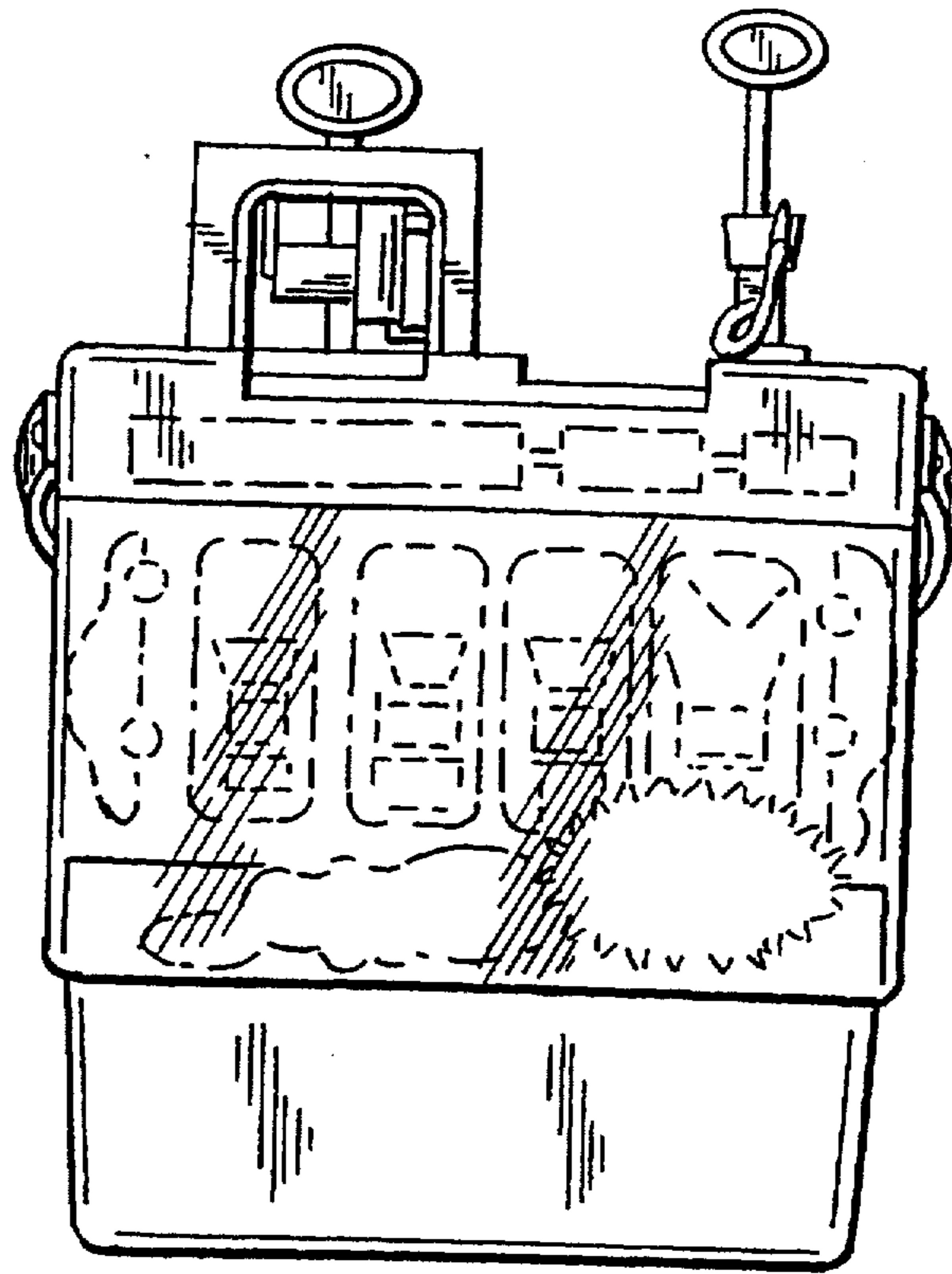


FIG. 2

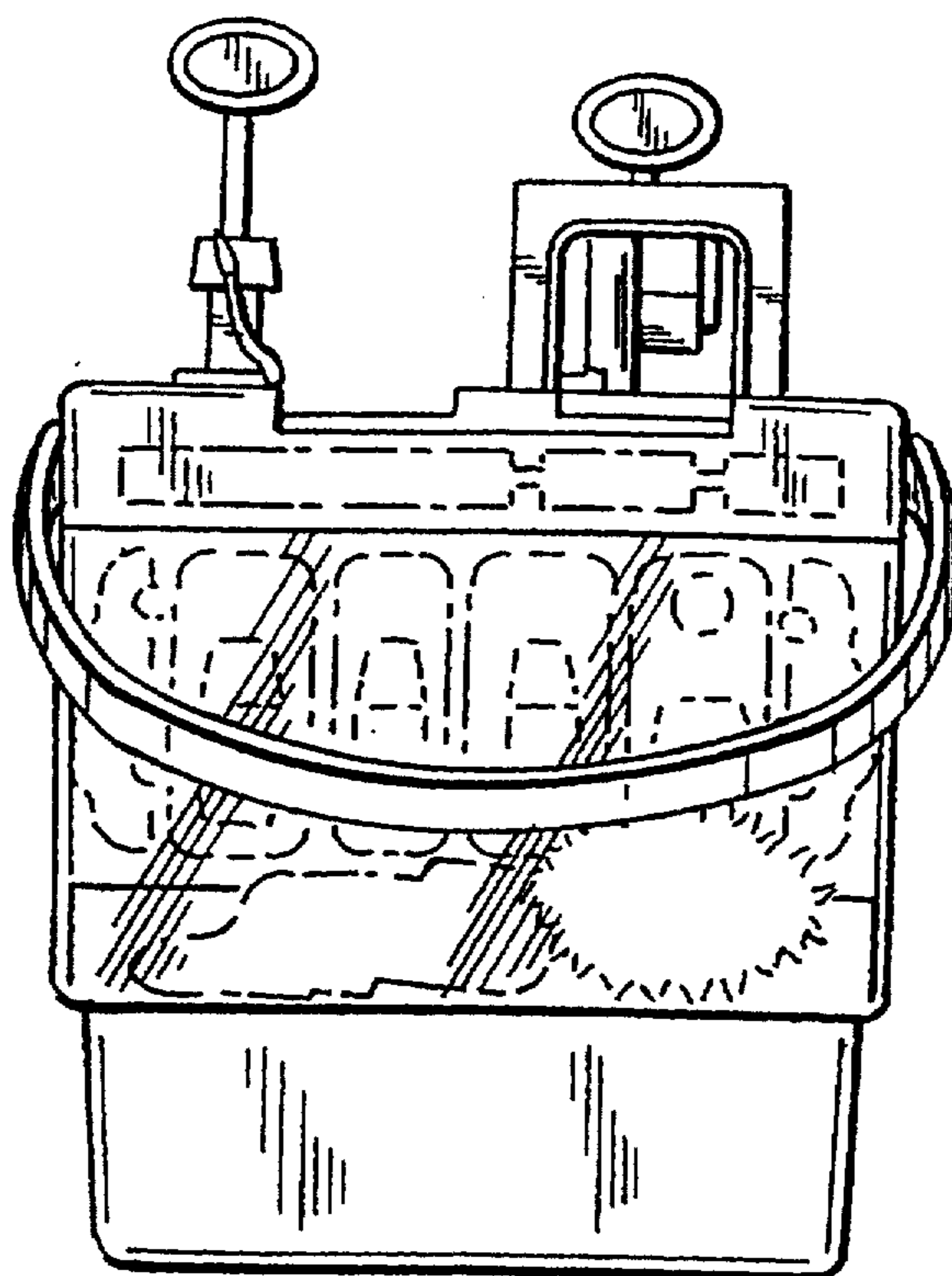


FIG. 3

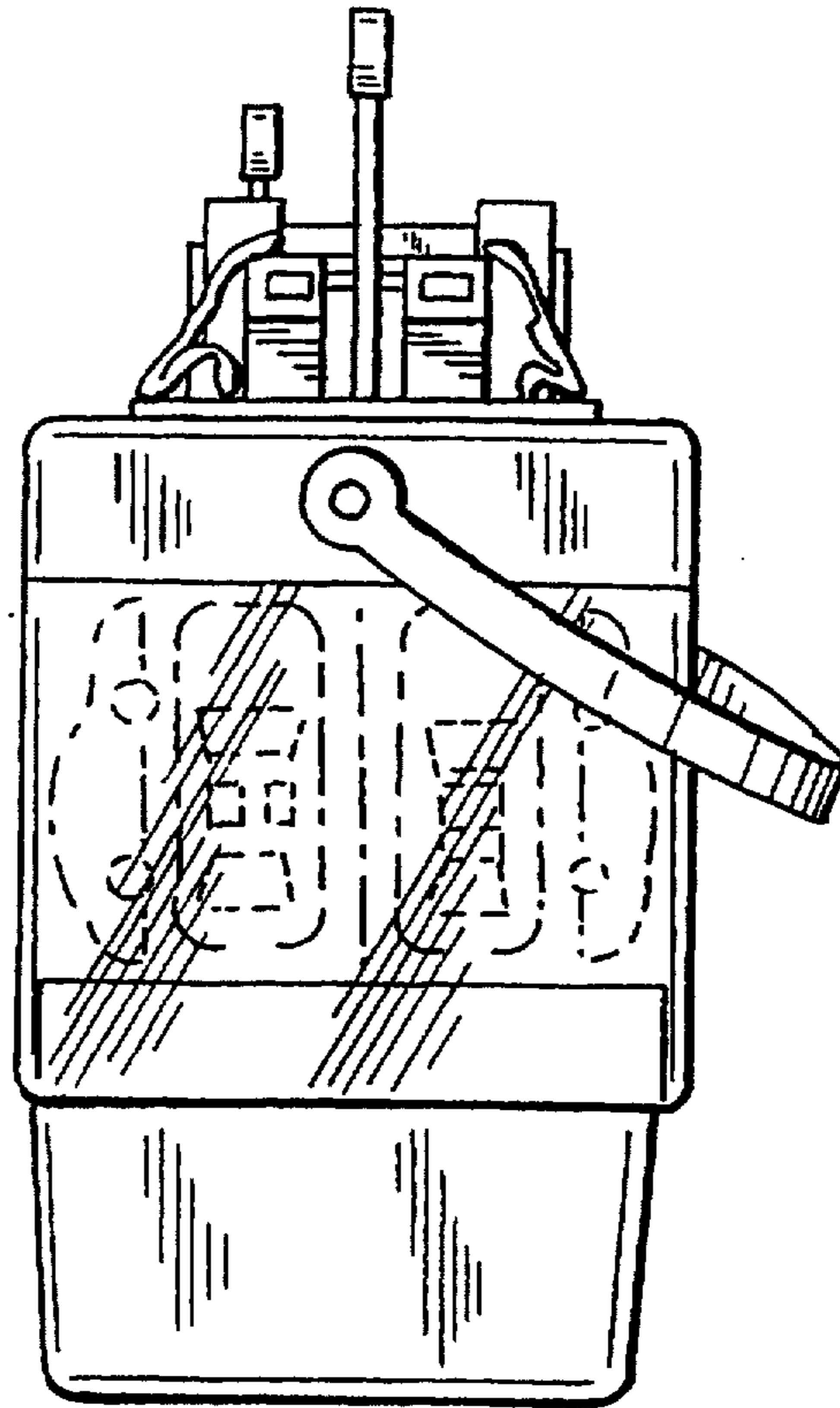


FIG. 4

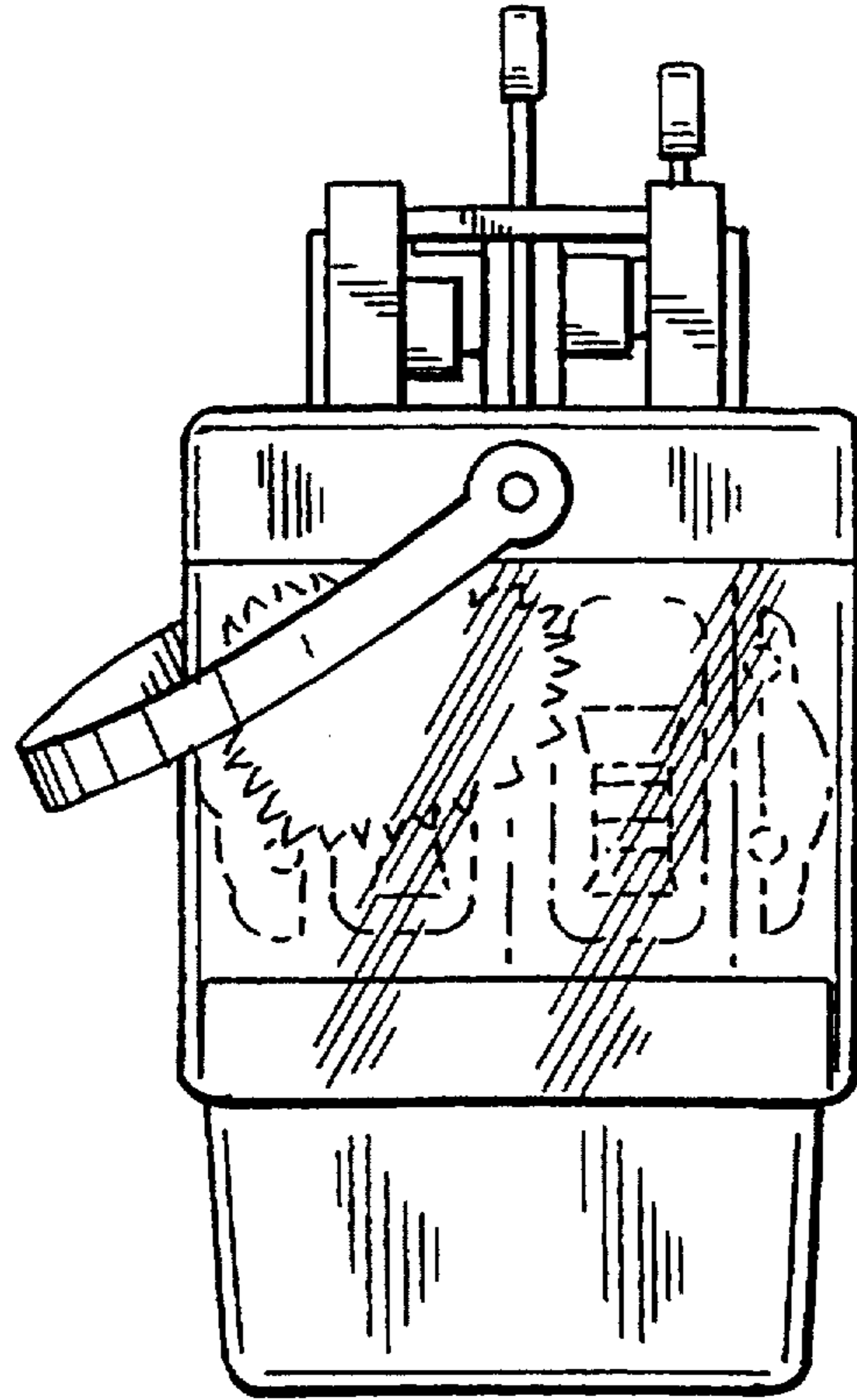


FIG. 5

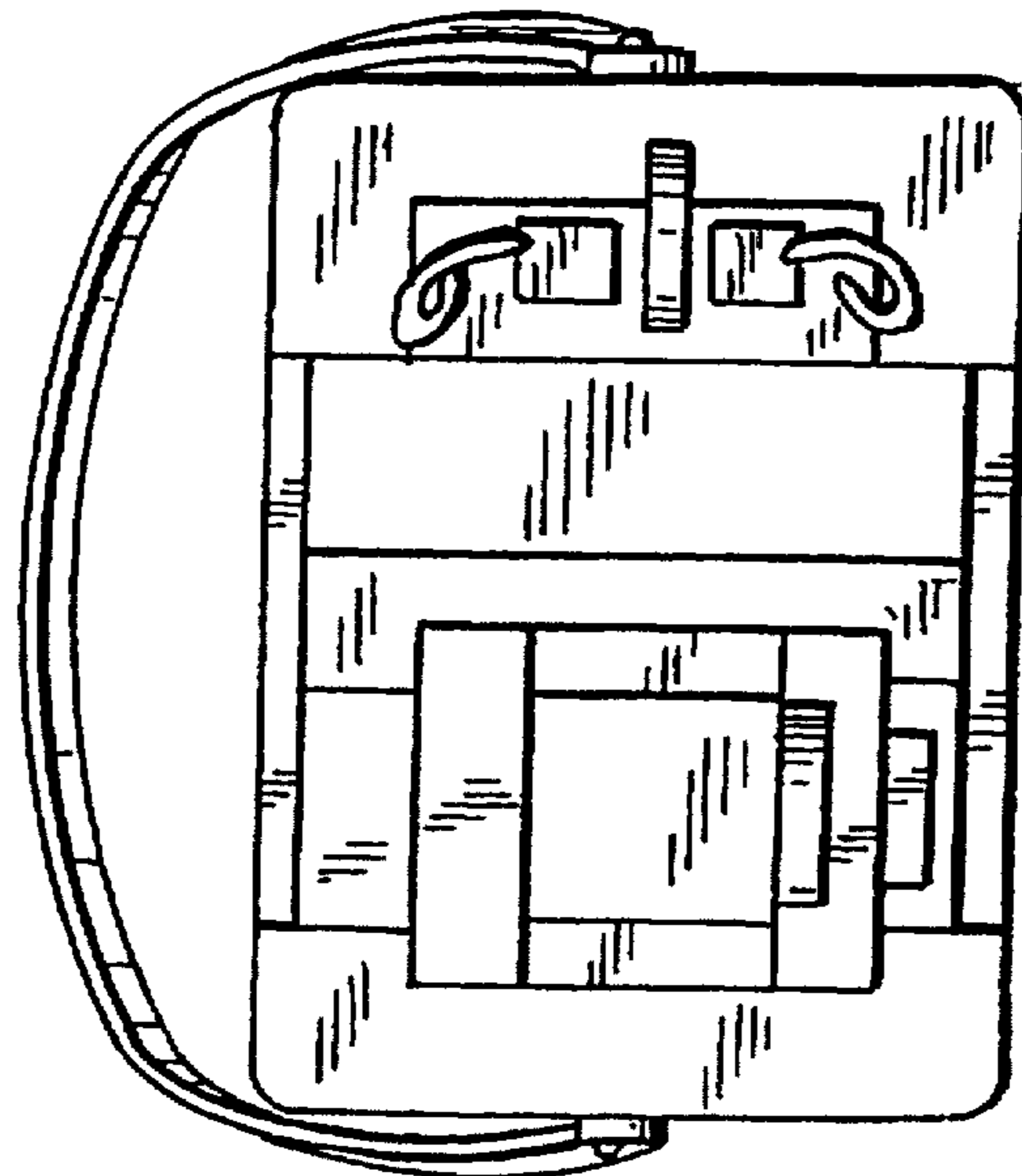


FIG. 6

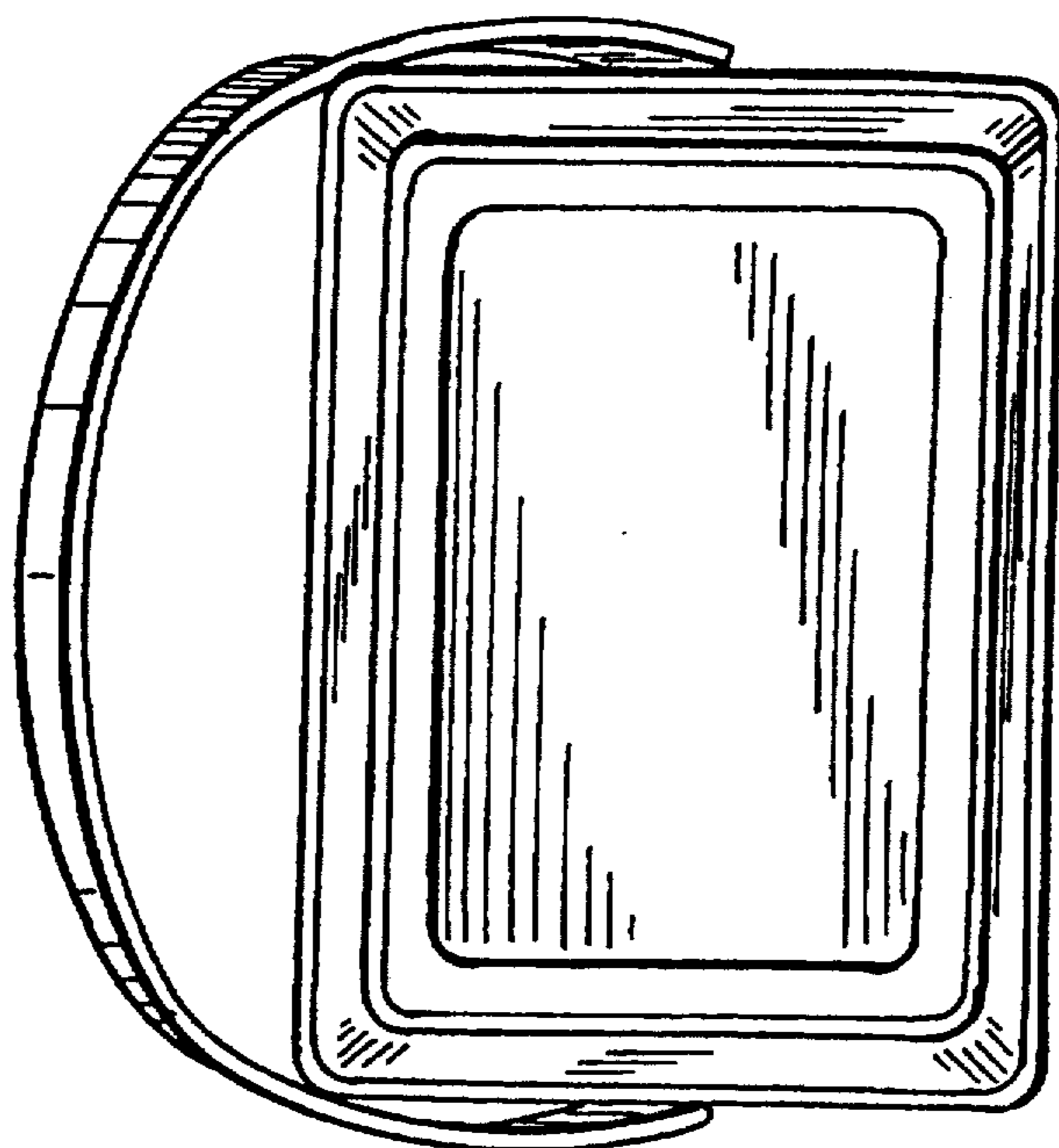


FIG. 7