



US00D400937S

United States Patent [19] Lun

[11] **Patent Number: Des. 400,937**

[45] **Date of Patent: **Nov. 10, 1998**

[54] **PUZZLE**

3,760,511 9/1973 Matsumoto 434/259

[75] Inventor: **Wong Chung Lun**, Kowloon, Hong Kong

Primary Examiner—Dominic Simone
Attorney, Agent, or Firm—Woodard, Emhardt, Naughton, Moriarty & McNett

[73] Assignee: **Fu Hong Industries, Ltd.**, Mongkok Kln, Hong Kong

[57] **CLAIM**

[**] Term: **14 Years**

The ornamental design for a puzzle, as shown and described.

[21] Appl. No.: **42,663**

DESCRIPTION

[22] Filed: **Aug. 14, 1995**

FIG. 1 is a front perspective view of a puzzle showing my new design;

[51] **LOC (6) Cl.** **21-01**

[52] **U.S. Cl.** **D21/105; D21/59**

FIG. 2 is a right side plan view of the embodiment shown in FIG. 1. The left side plan view is a mirror image of FIG. 2 and thus is not further illustrated;

[58] **Field of Search** D21/59, 105, 107; 434/259, 195, 204, 215

FIG. 3 is a front plan view of the embodiment shown in FIG. 1;

[56] **References Cited**

U.S. PATENT DOCUMENTS

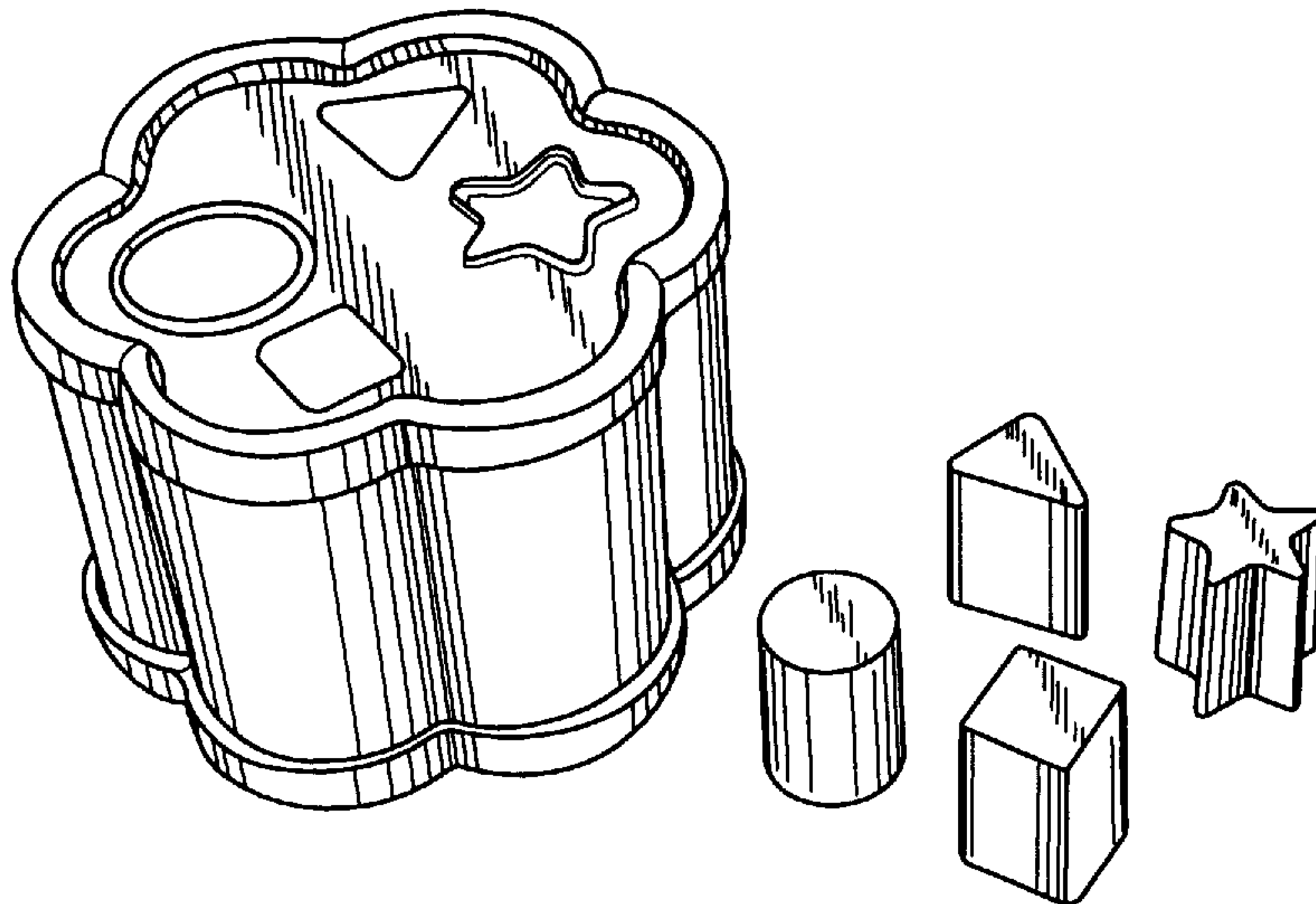
D. 153,560	4/1949	Satterthwaite	D21/105
D. 214,928	8/1969	Swett et al.	D21/105 X
D. 296,451	6/1988	Nung	D21/105
741,903	10/1903	Gates	434/259

FIG. 4 is a top plan view of the embodiment shown in FIG. 1;

FIG. 5 is a rear plan view of the embodiment shown in FIG. 1; and,

FIG. 6 is a bottom view of the embodiment shown in FIG. 1.

1 Claim, 3 Drawing Sheets



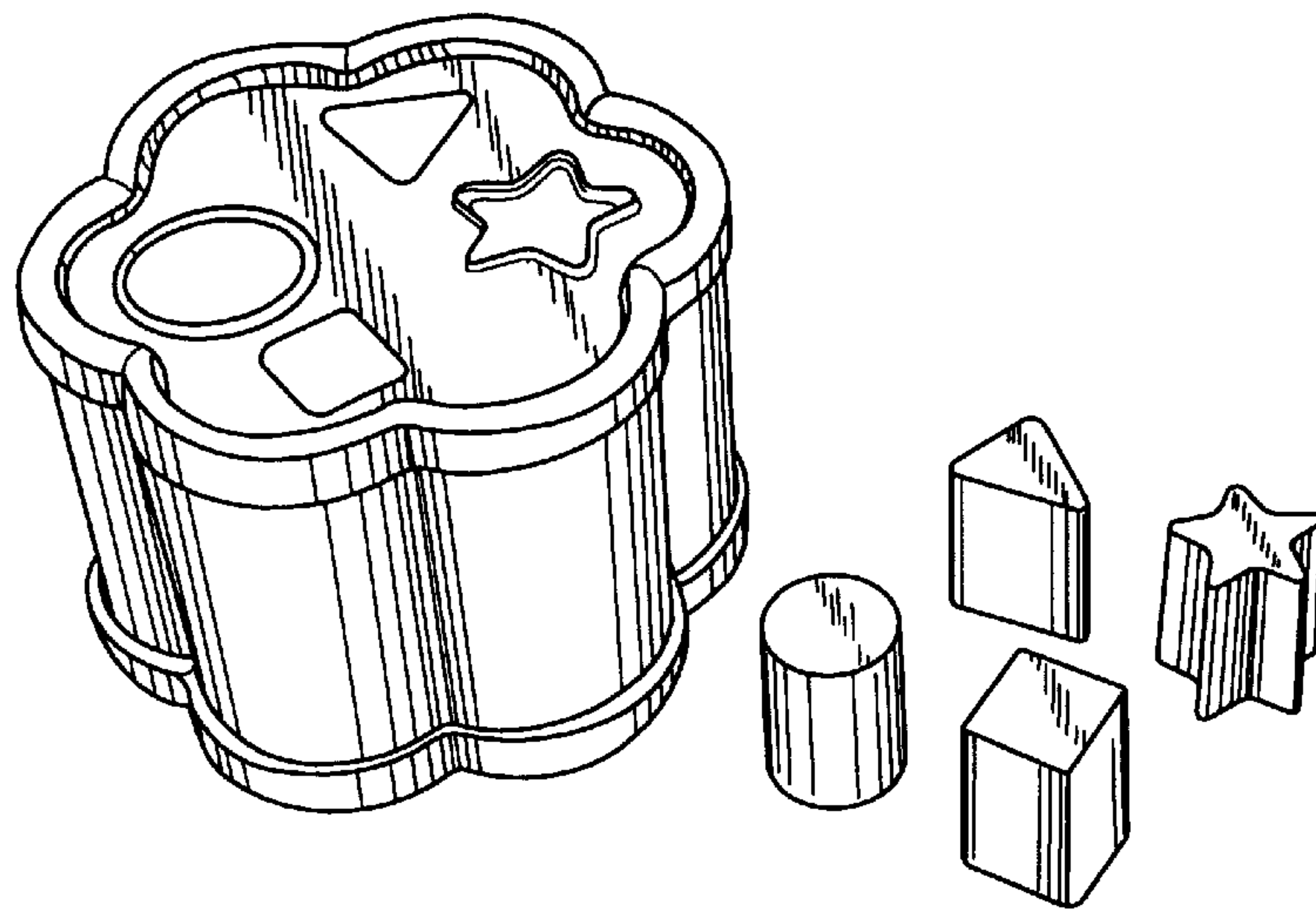


Fig. 1

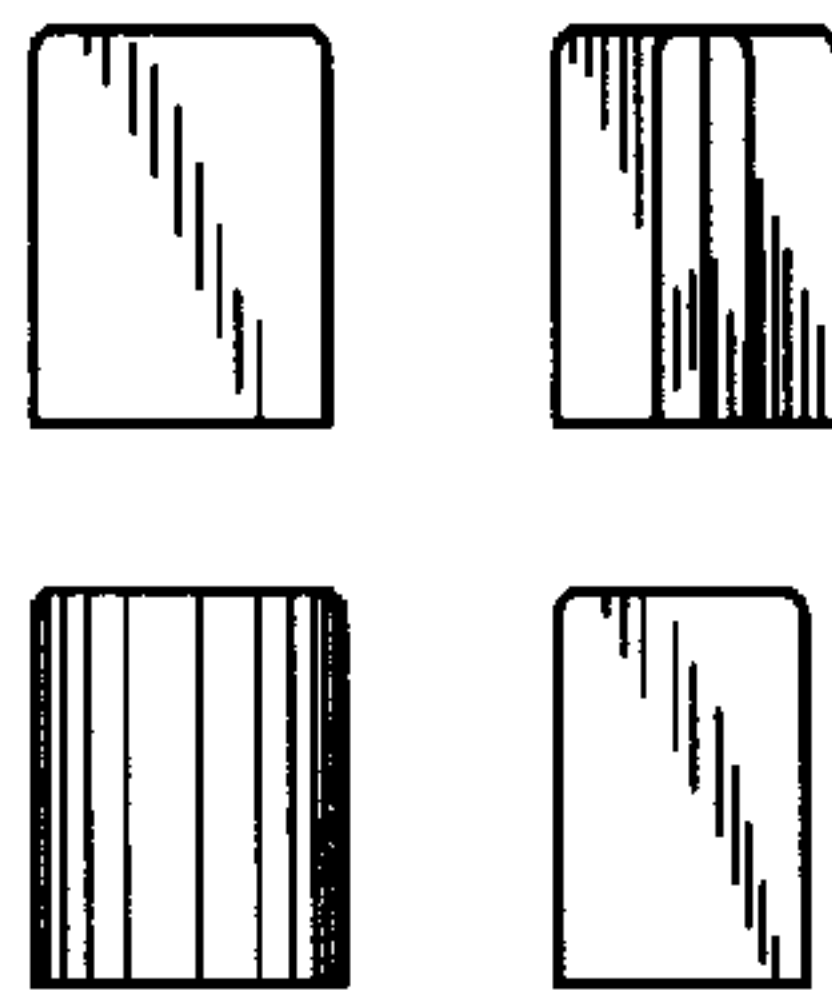
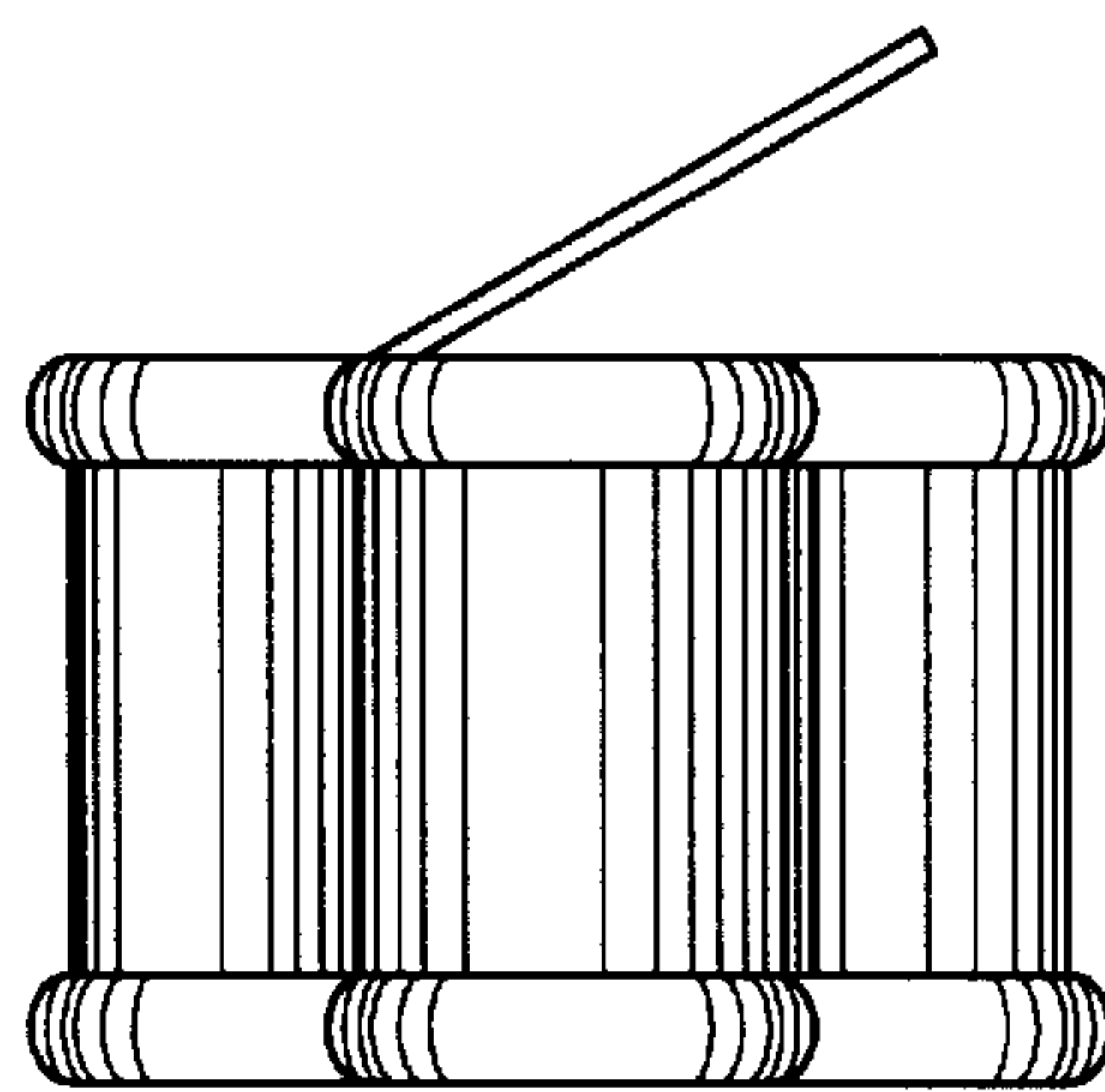


Fig. 2

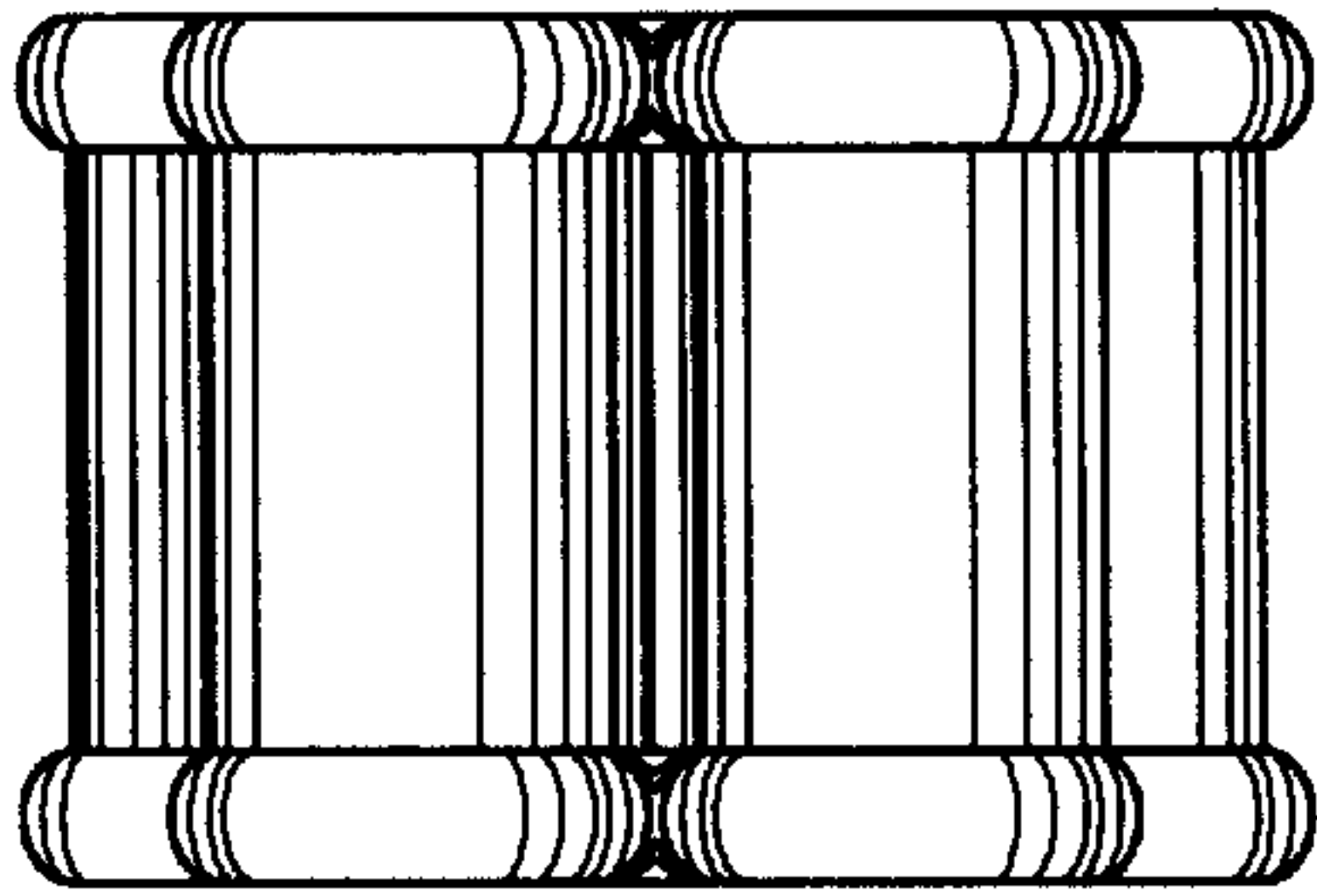


Fig. 3

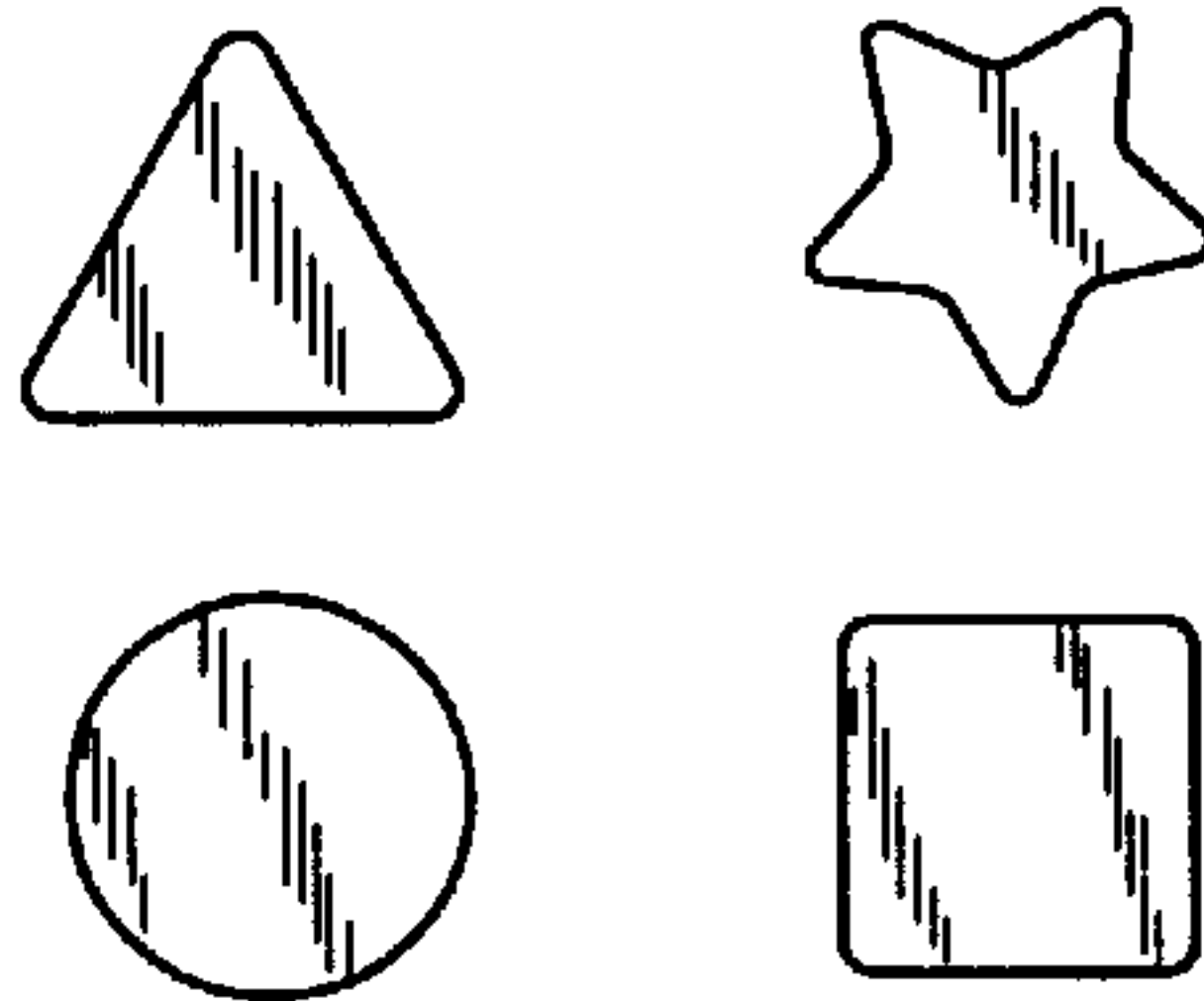
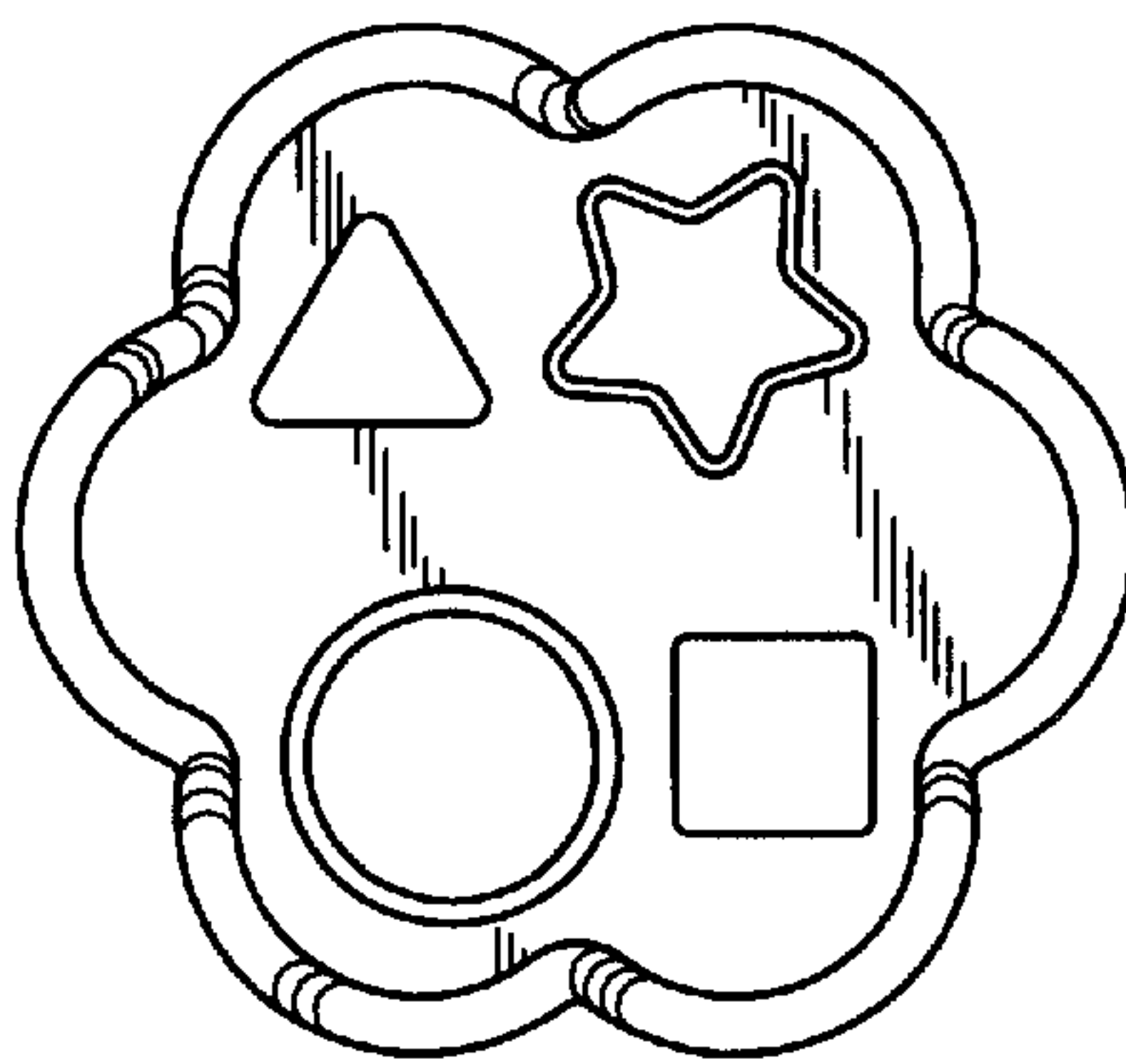


Fig. 4

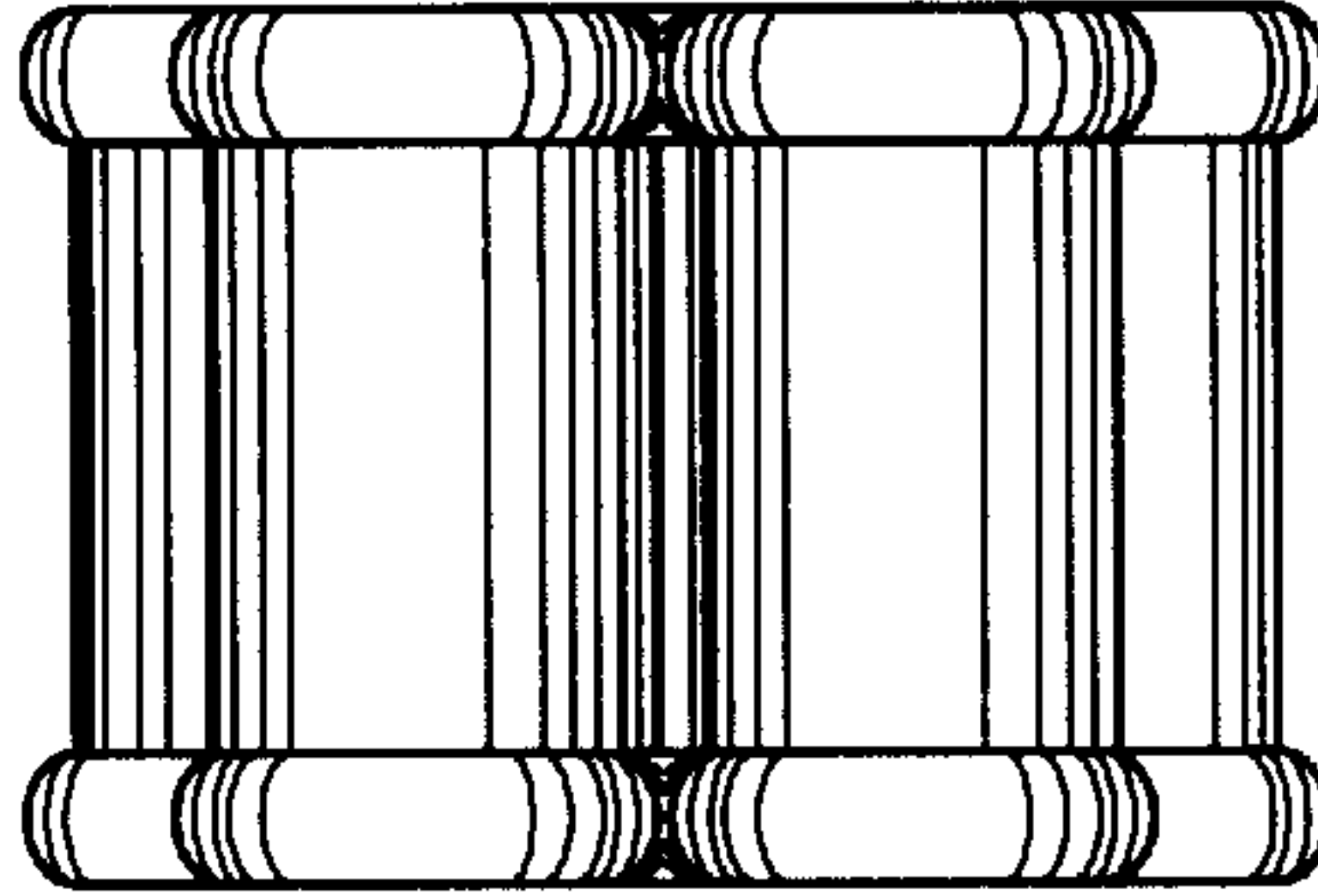


Fig. 5

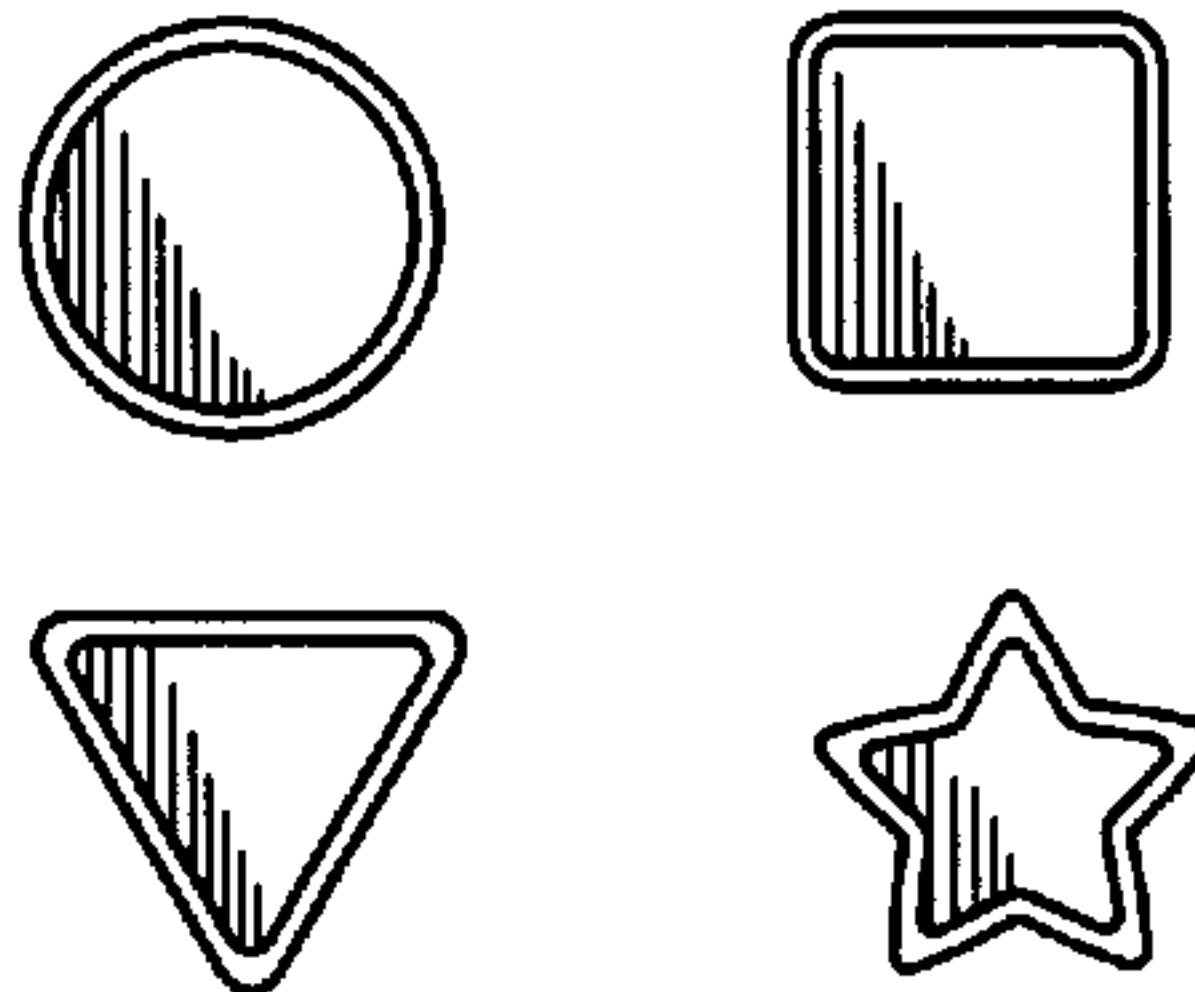
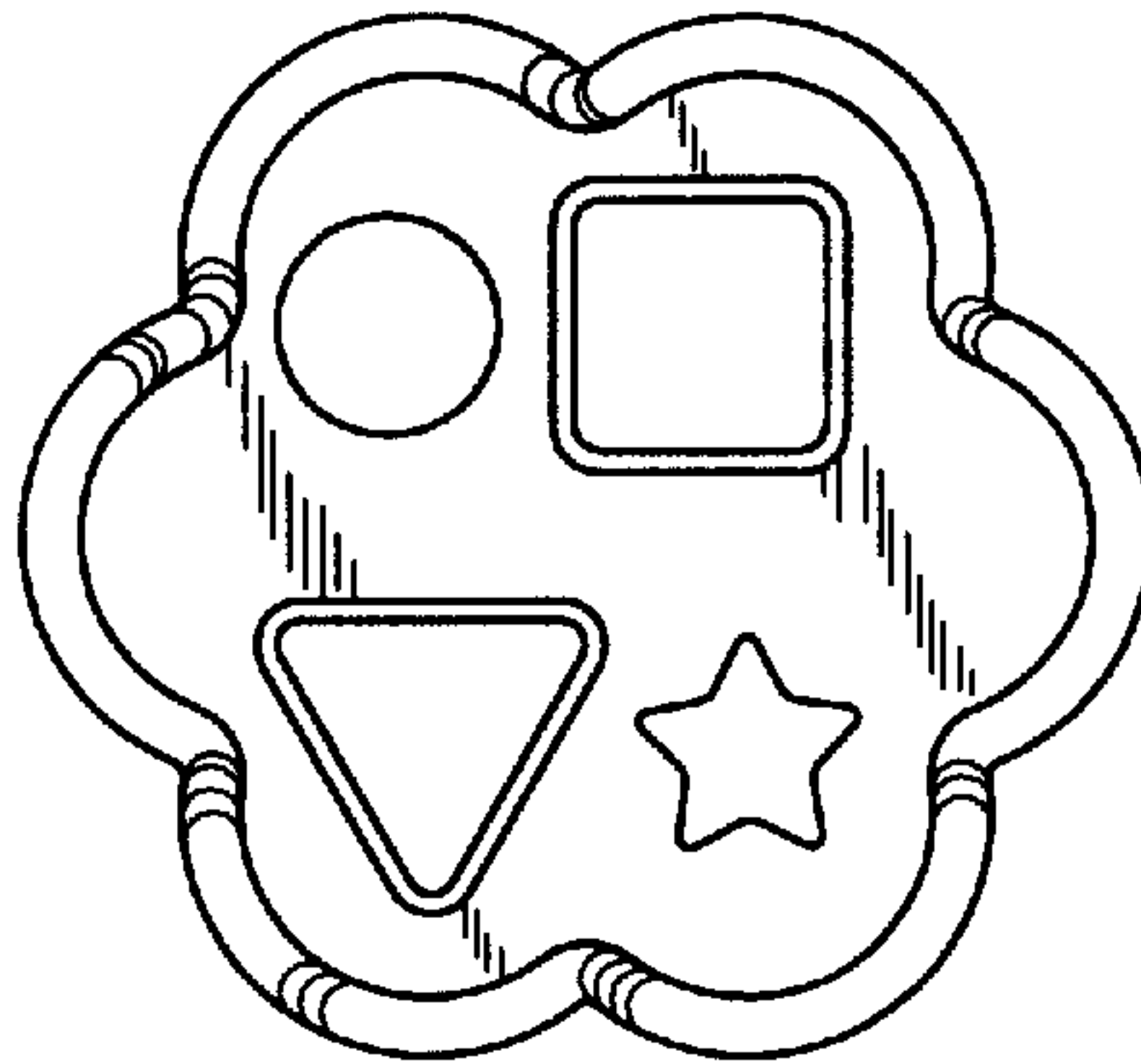


Fig. 6