



US00D400935S

United States Patent [19]

Murasaki et al.

[11] Patent Number: **Des. 400,935**

[45] Date of Patent: ****Nov. 10, 1998**

[54] **GAME TOY**

[75] Inventors: **Keiichi Murasaki; Hiroshi Okawa,**
both of Tokyo, Japan

[73] Assignees: **Toybox Corporation; Imagic, Inc.,**
both of Tokyo, Japan

[**] Term: **14 Years**

[21] Appl. No.: **72,977**

[22] Filed: **Jun. 26, 1997**

[30] Foreign Application Priority Data

Dec. 26, 1996 [JP] Japan 8-39799

[51] **LOC (6) Cl.** **21-01**

[52] **U.S. Cl.** **D21/59**

[58] **Field of Search** D21/59, 142, 143;
446/7, 445; D19/63; 434/63, 67

[56] References Cited

U.S. PATENT DOCUMENTS

D. 78,642 5/1929 Marz D21/143 X

D. 261,017 9/1981 Birdsall et al. D21/142
D. 265,836 8/1982 Ahn D21/143 X
D. 372,503 8/1996 Liu D21/29 X
2,148,828 2/1939 Myers 434/63 X
4,932,913 6/1990 Raviv et al. 446/7

Primary Examiner—Dominic Simone
Attorney, Agent, or Firm—Oliff & Berridge, PLC

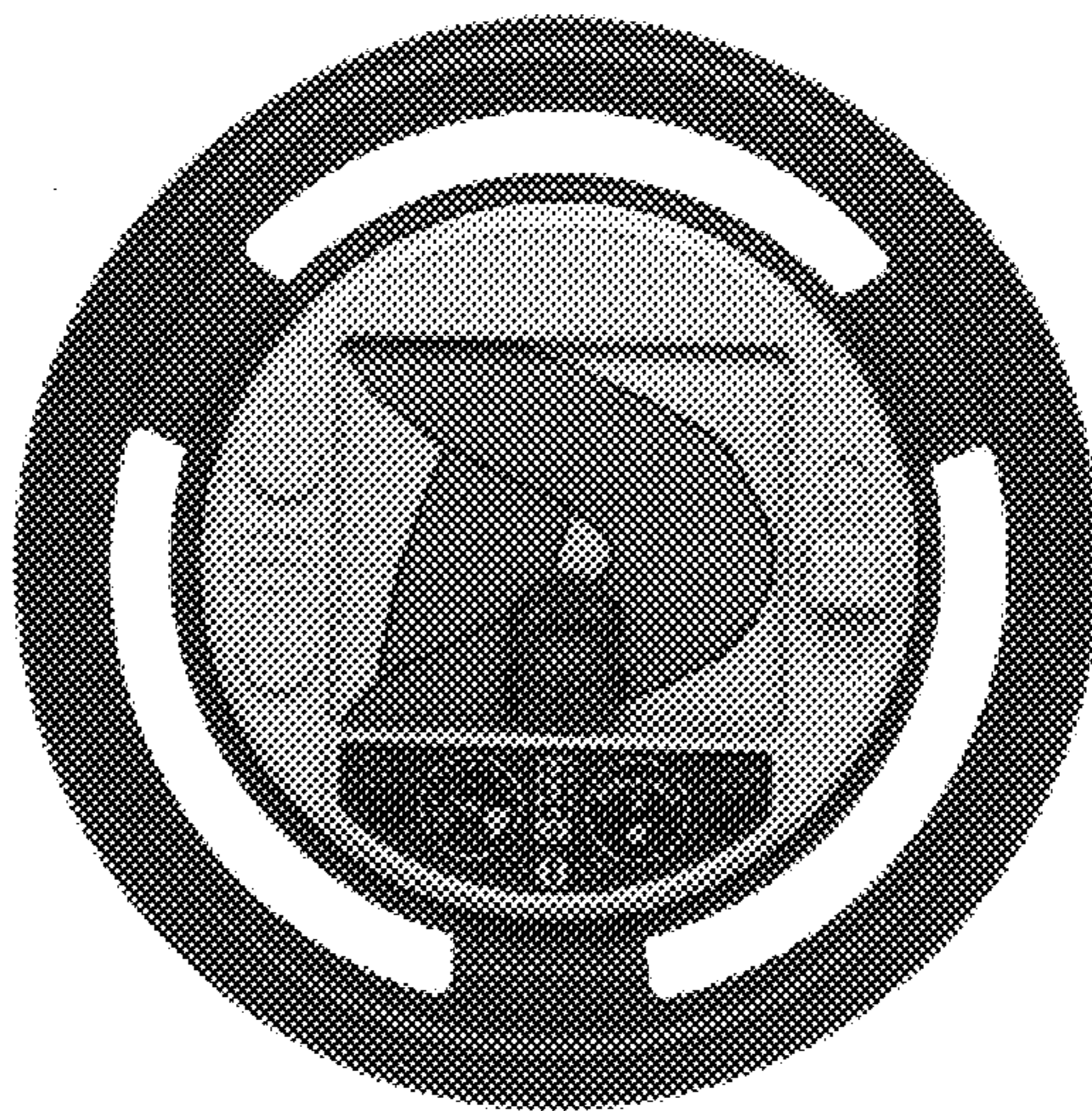
[57] CLAIM

The ornamental design for game toy, as shown and described.

DESCRIPTION

FIG. 1 is a top view of a game toy in accordance with our inventive design;
FIG. 2 is a front view thereof;
FIG. 3 is a back view thereof;
FIG. 4 is a bottom view thereof;
FIG. 5 is a left side view thereof;
FIG. 6 is a right side view thereof; and,
FIG. 7 is a top perspective view thereof.

1 Claim, 4 Drawing Sheets



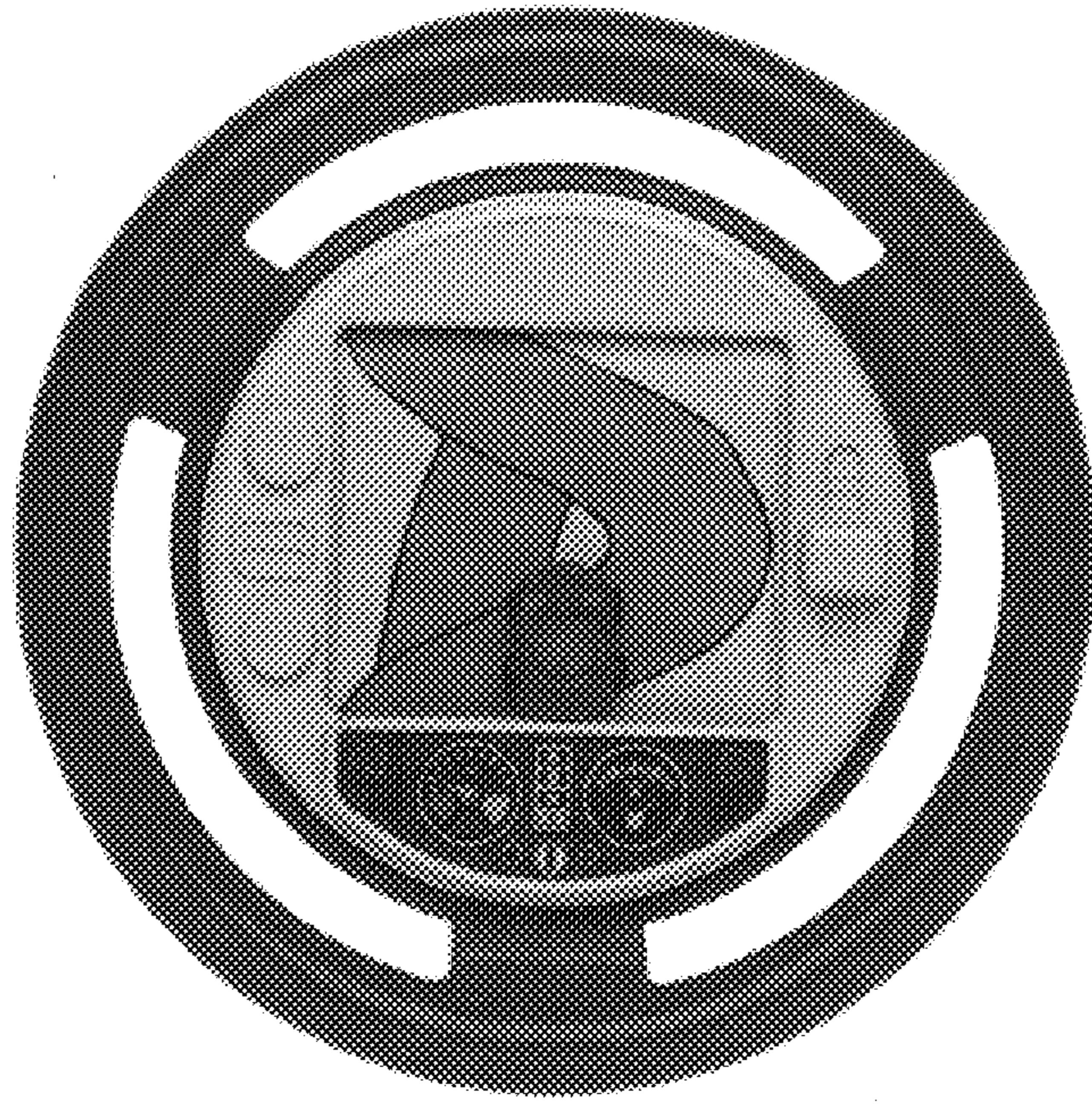


Figure 1

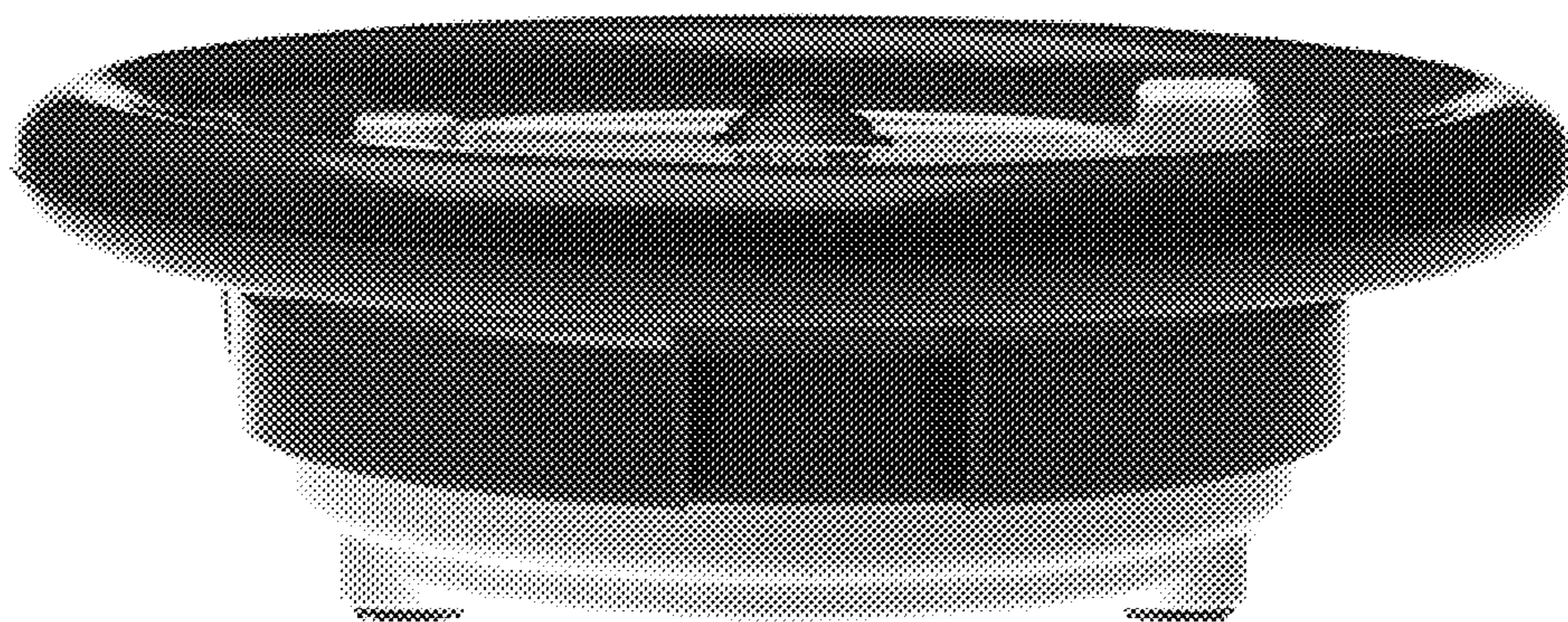


Figure 2

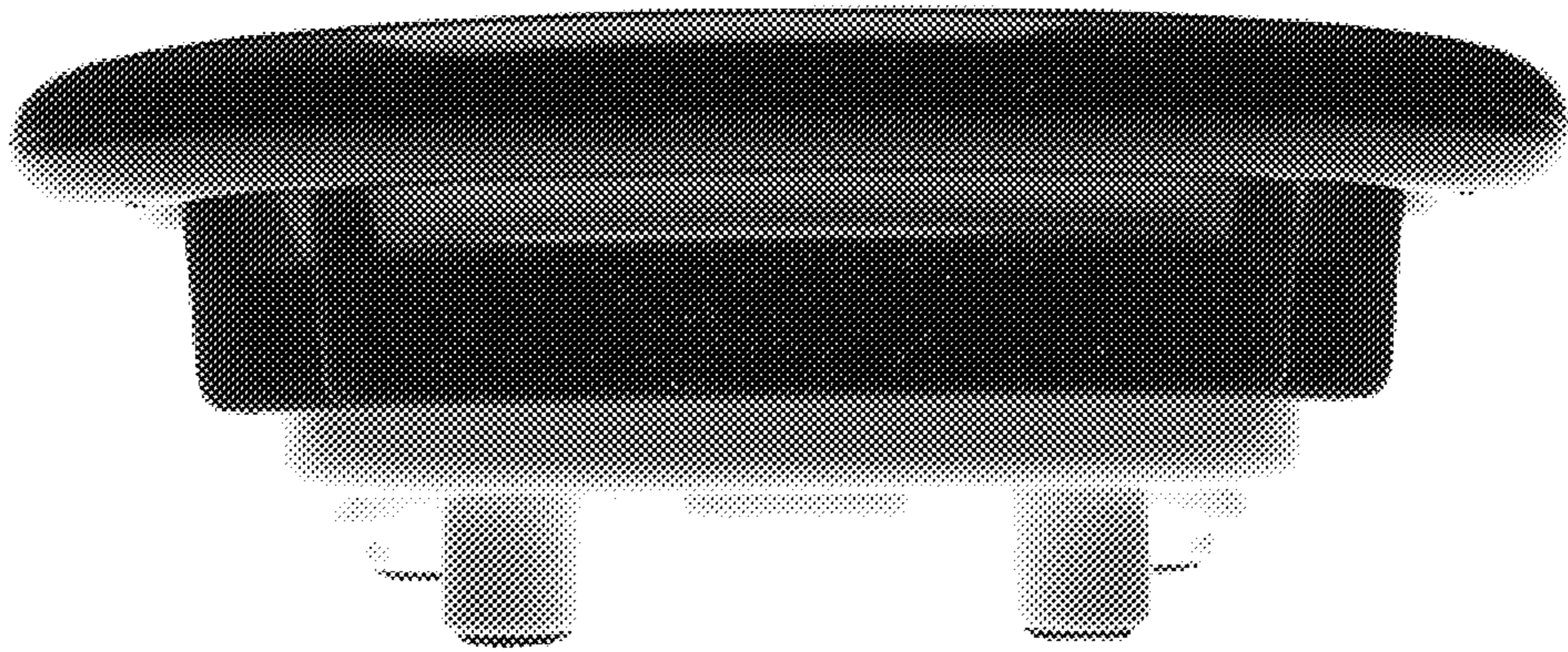


Figure 3



Figure 4

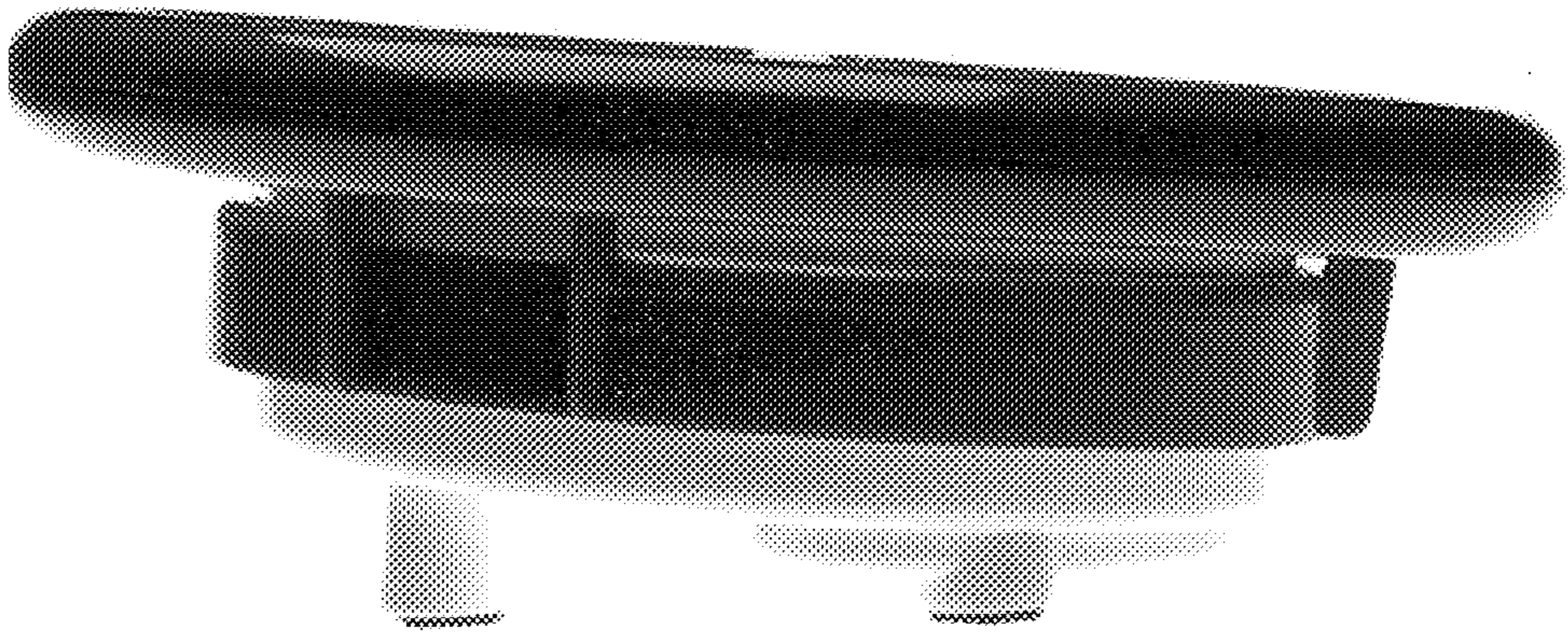


Figure 5

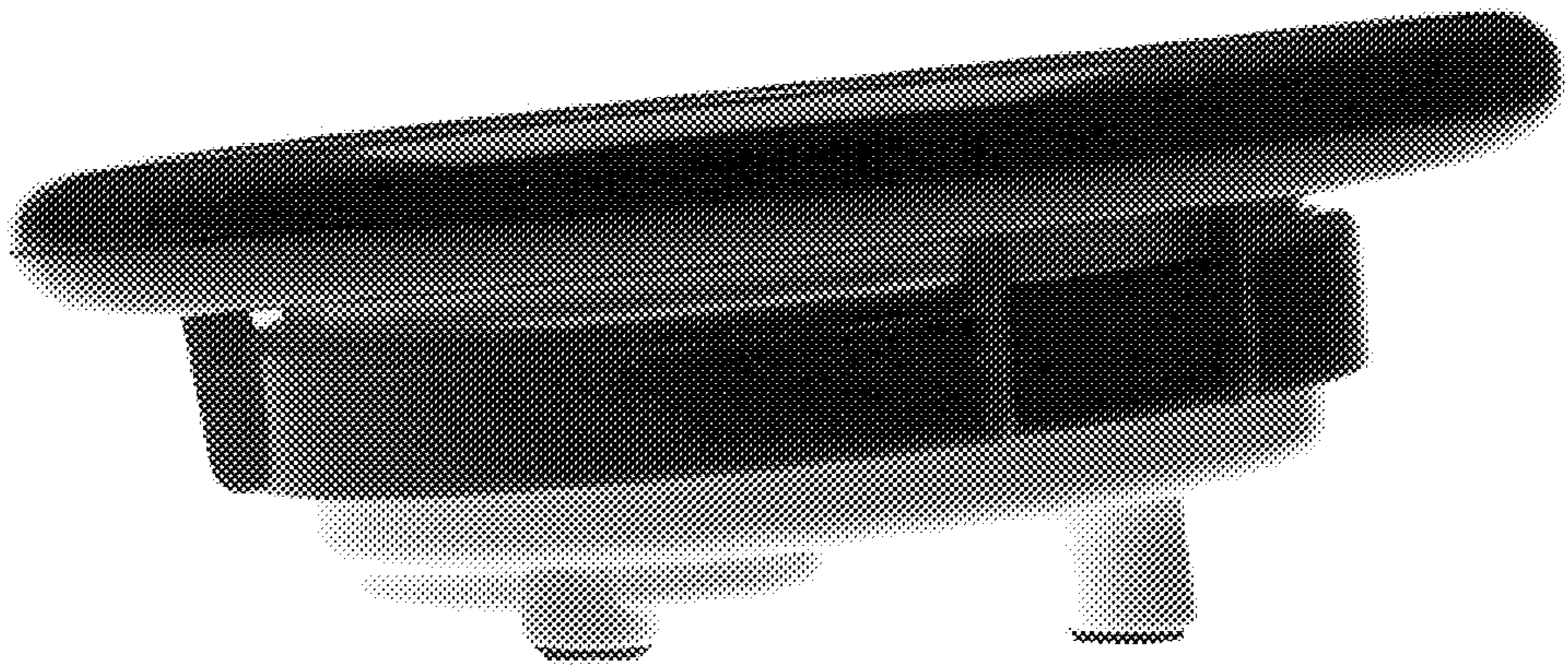


Figure 6



Figure 7