



US00D400926S

United States Patent [19]
Stravitz

[11] **Patent Number: Des. 400,926**

[45] **Date of Patent: **Nov. 10, 1998**

[54] **STORAGE RACK**

[76] **Inventor: David M. Stravitz, 16 Park Ave. - Suite 14A, New York, N.Y. 10016**

[**] **Term: 14 Years**

[21] **Appl. No.: 82,152**

[22] **Filed: Jan. 15, 1998**

[51] **LOC (6) Cl. 19-02**

[52] **U.S. Cl. D19/90; D19/75; D19/91; D6/475**

[58] **Field of Search D6/407, 475; D19/34.1, D19/65, 75, 78, 86, 90, 91, 95, 99, 100; 211/10, 11, 40, 42, 43, 44, 45, 50, 55; 206/425, 215**

[56] **References Cited**

U.S. PATENT DOCUMENTS

D. 299,389	1/1989	Klodt	D6/407
D. 305,486	1/1990	Rabig	D6/475
D. 314,215	1/1991	Hawes, Jr. et al.	D19/90
D. 324,239	2/1992	Halm	D19/90
D. 381,691	7/1997	Miyake	D19/75
D. 385,921	11/1997	Tisbo	D19/91 X

D. 390,606	2/1998	Choris et al.	D19/86 X
660,541	10/1900	Field	211/11
3,592,344	7/1971	Shade	211/42
4,909,398	3/1990	Santucci	211/50

Primary Examiner—Martie K. Holtje
Attorney, Agent, or Firm—Frishauf, Holtz, Goodman, Langer & Chick

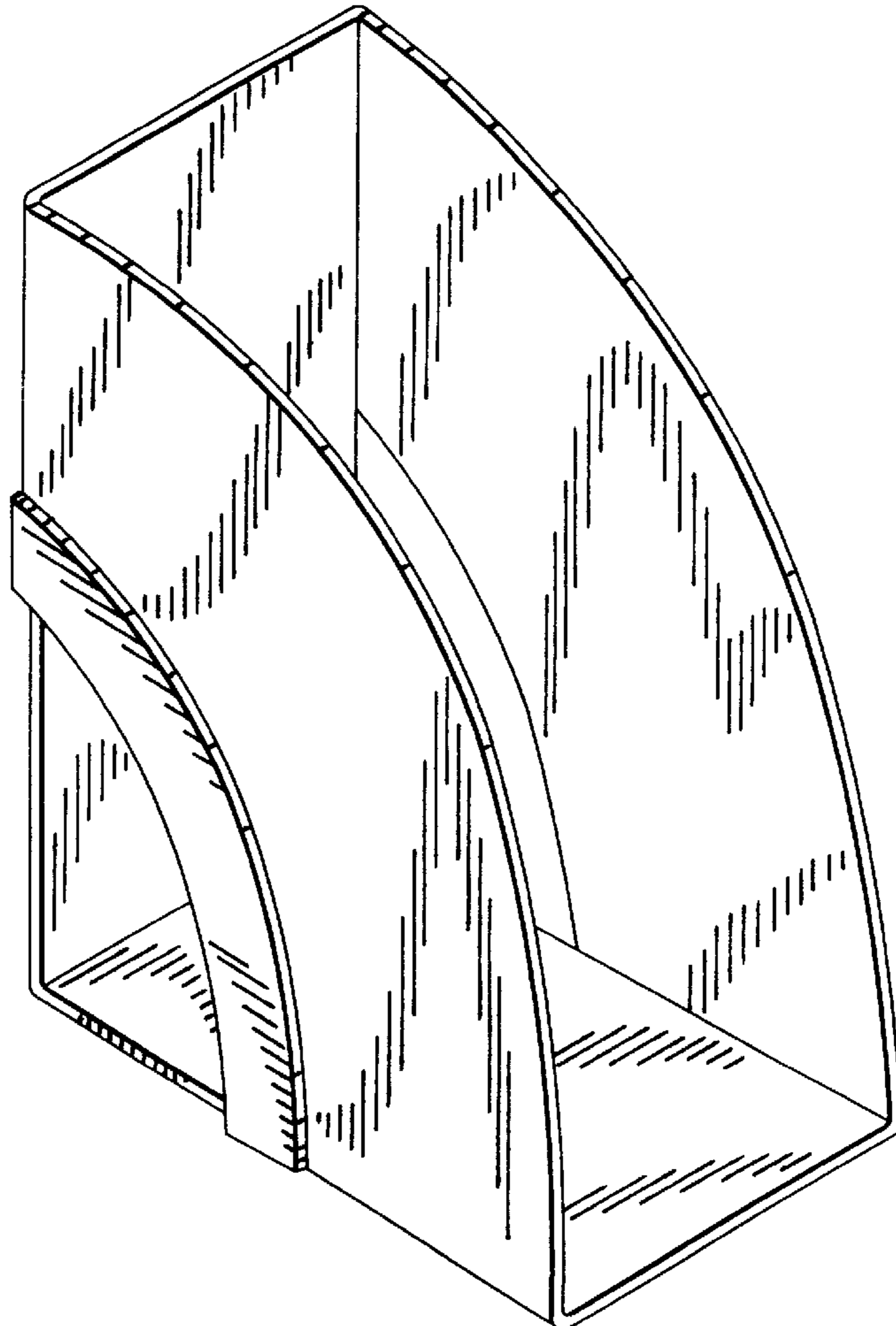
[57] **CLAIM**

The ornamental design for a storage rack, as shown and described.

DESCRIPTION

FIG. 1 is a front, left side and top perspective view of a storage rack showing my new design;
FIG. 2 is a right side elevational view thereof, the left side elevational view being a mirror image;
FIG. 3 is a top plan view thereof;
FIG. 4 is a front elevational view thereof;
FIG. 5 is a rear elevational view thereof;
FIG. 6 is a bottom plan view thereof; and,
FIG. 7 is a front, right side and top perspective view of a second embodiment of the storage rack of FIG. 1, but oriented with its long side horizontal.

1 Claim, 3 Drawing Sheets



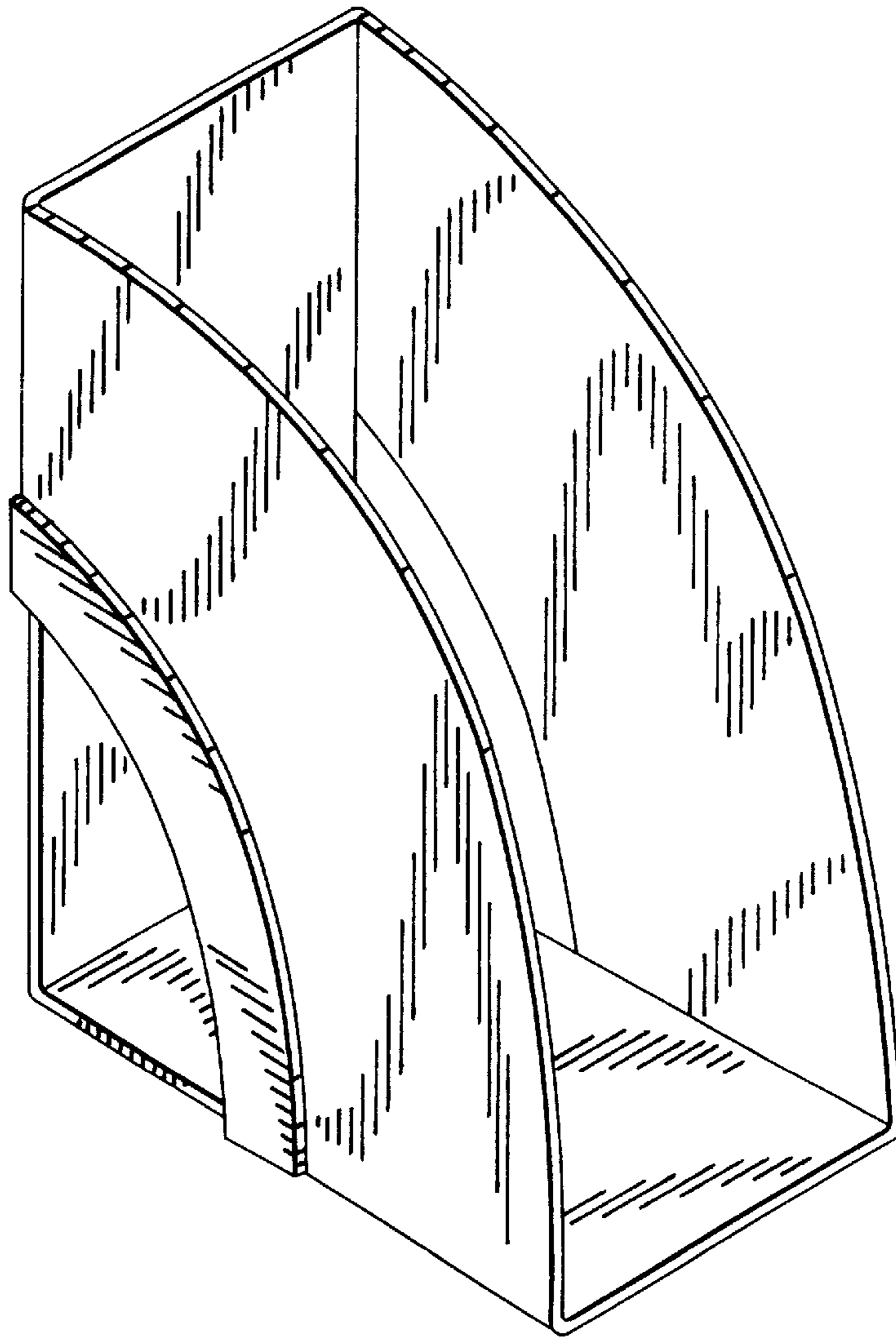


FIG. 1

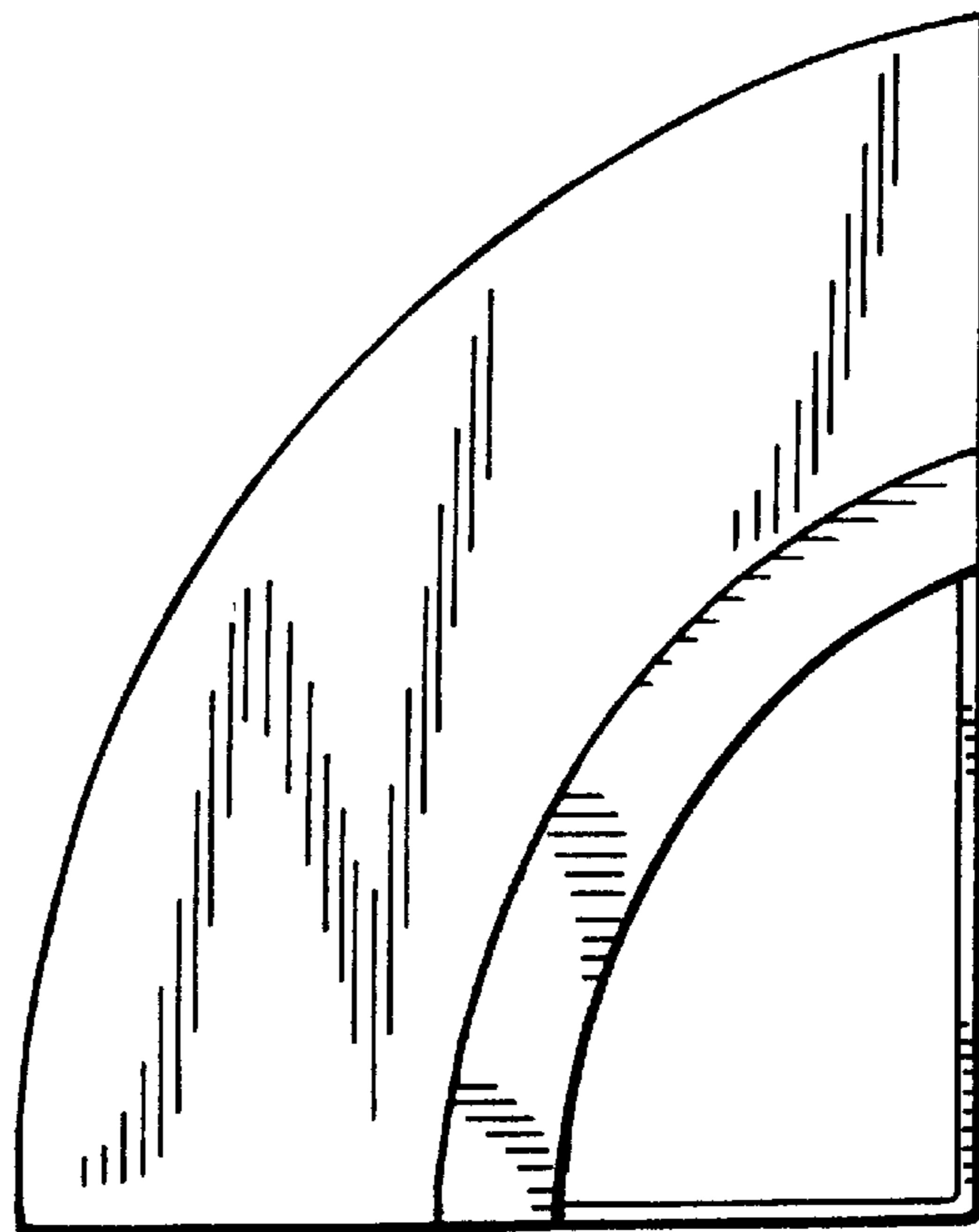


FIG. 2

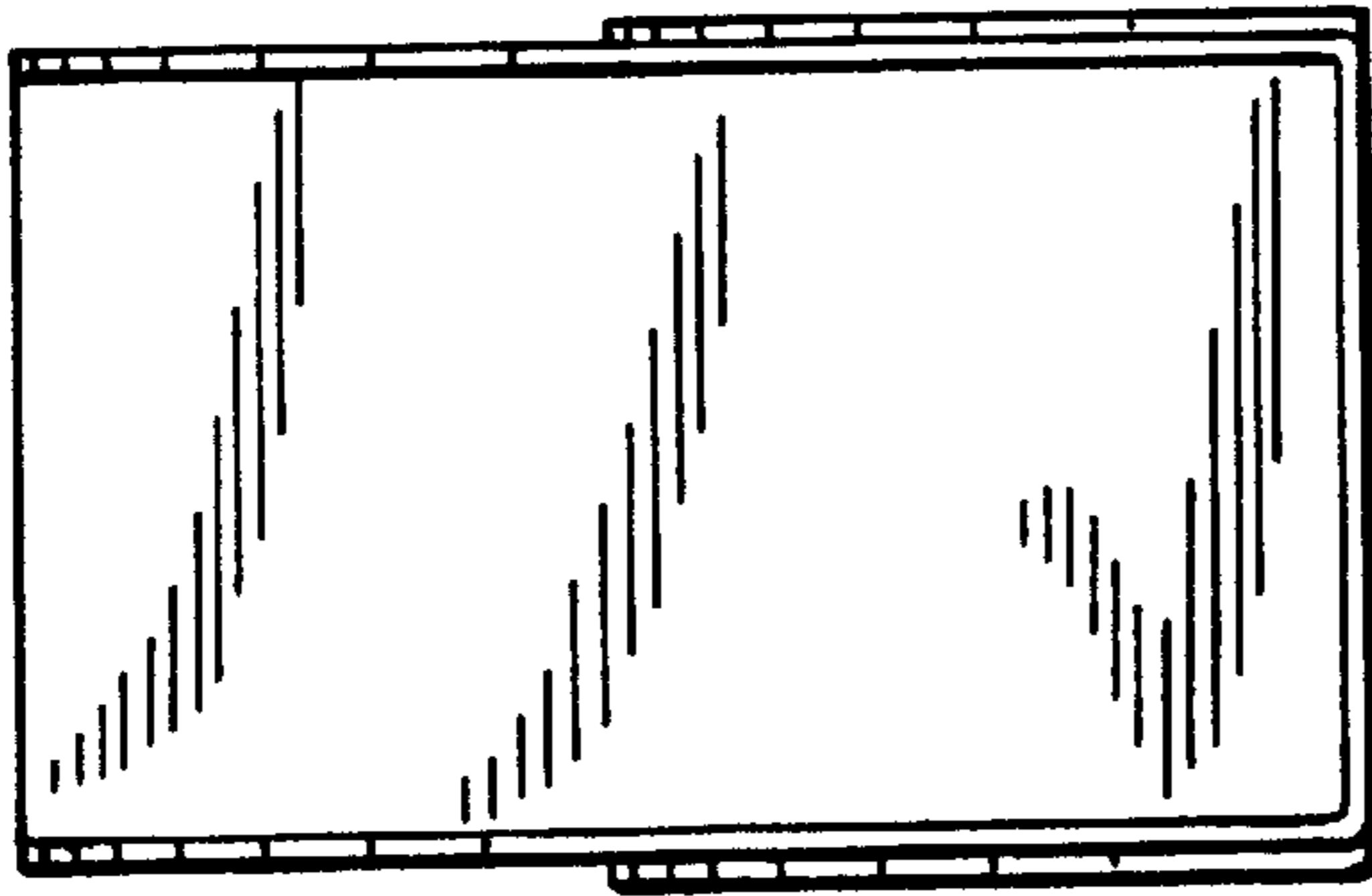


FIG. 3

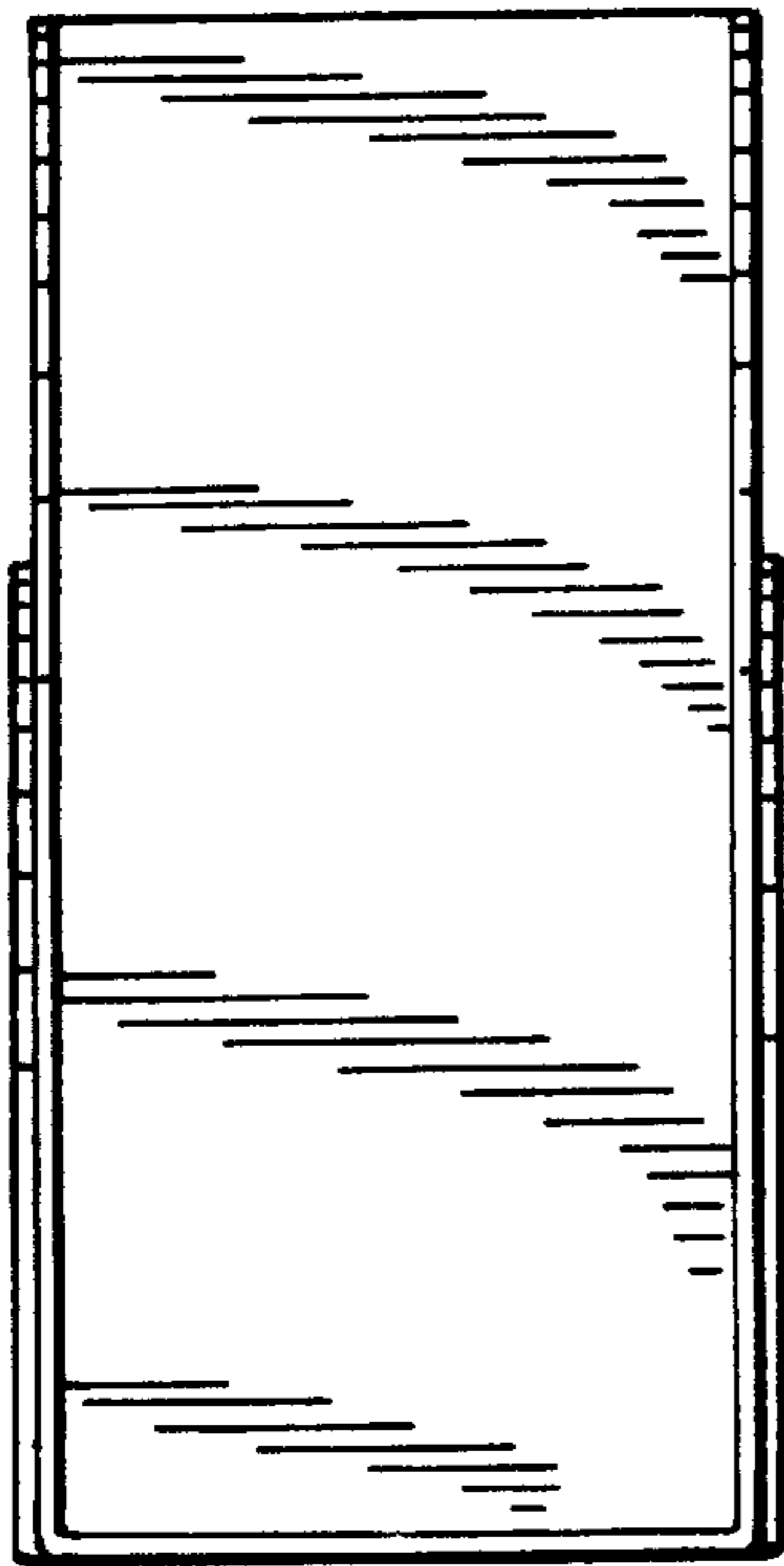


FIG. 4

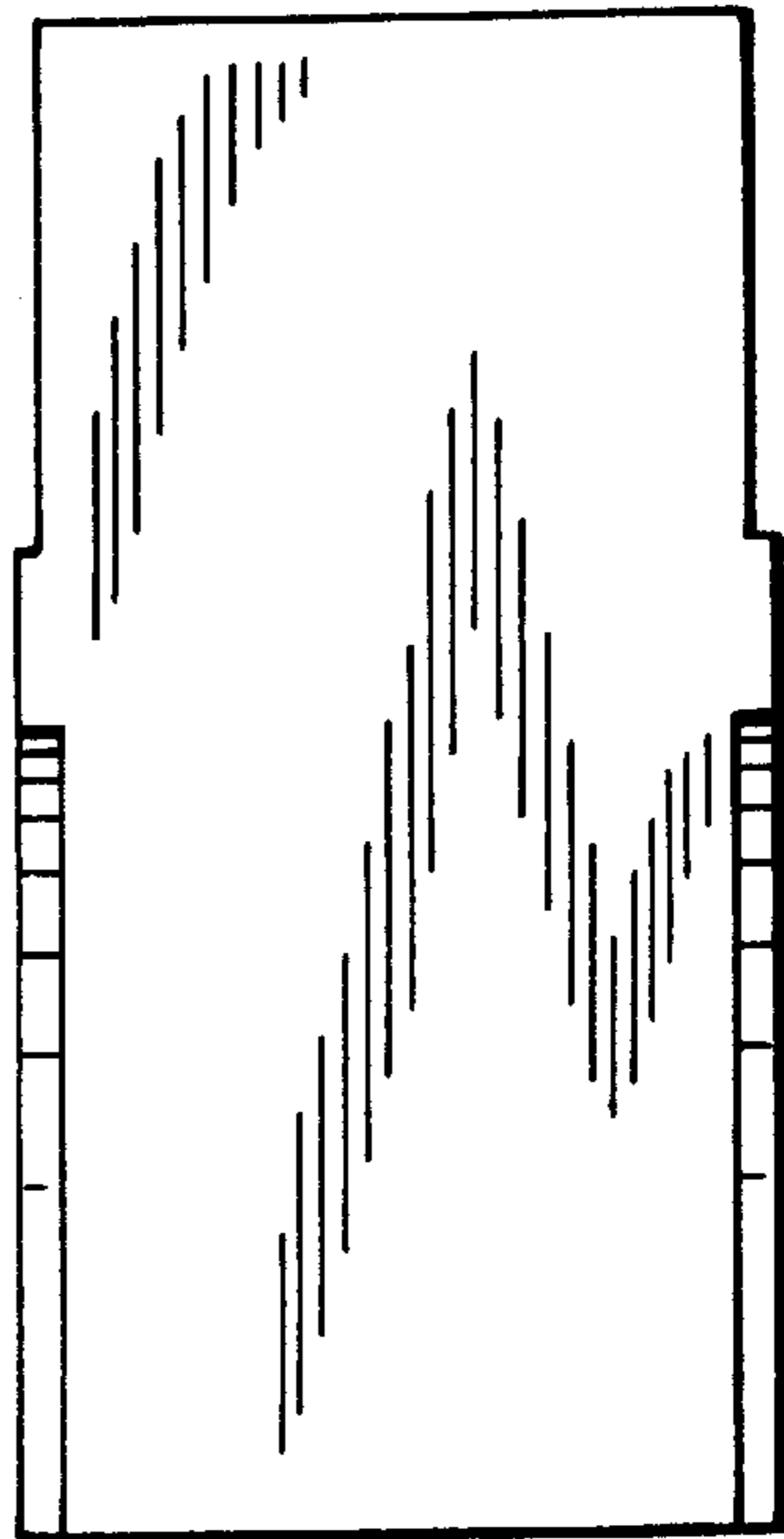


FIG. 5

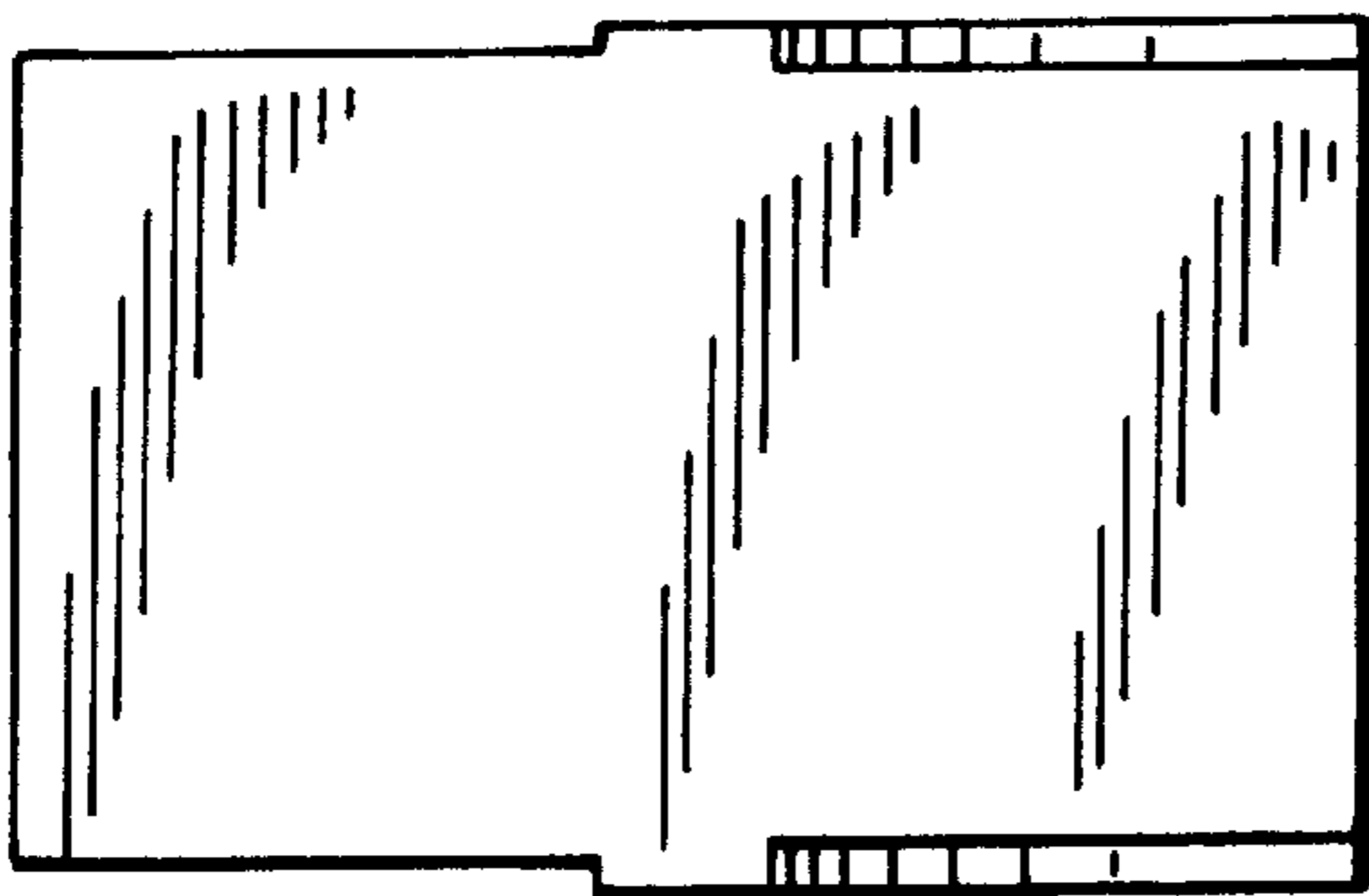


FIG. 6

FIG. 7

