

US00D400924S

United States Patent [19]
Cornell et al.

[11] **Patent Number: Des. 400,924**

[45] **Date of Patent: **Nov. 10, 1998**

[54] **MOUSE PAD ACCESSORY HOLDER**

D. 338,495 8/1993 Carella D19/78
D. 379,435 5/1997 Hsu D19/85 X
2,583,567 1/1952 Hanson 211/69.7 X

[76] Inventors: **Stephen R. Cornell**, 66 Fuller St.,
Middleboro, Mass. 02346; **Robert G.
Cornell**, 200 Crescent St., Duxbury,
Mass. 02332

Primary Examiner—Martie K. Holtje
Attorney, Agent, or Firm—Don Halgren

[**] Term: **14 Years**

[57] **CLAIM**

[21] Appl. No.: **78,284**

The ornamental design for a mouse pad accessory holder, as shown and described.

[22] Filed: **Oct. 23, 1997**

DESCRIPTION

[51] **LOC (6) Cl.** **19-06**

[52] **U.S. Cl.** **D19/78; D19/65; D19/75;**
D19/85; D14/114

[58] **Field of Search** D6/468; D19/35,
D19/36, 65, 75, 77, 78, 81–85, 86, 90,
91, 95, 99, 100; D14/114; 206/214, 224,
371; 211/69.1–69.9, 69

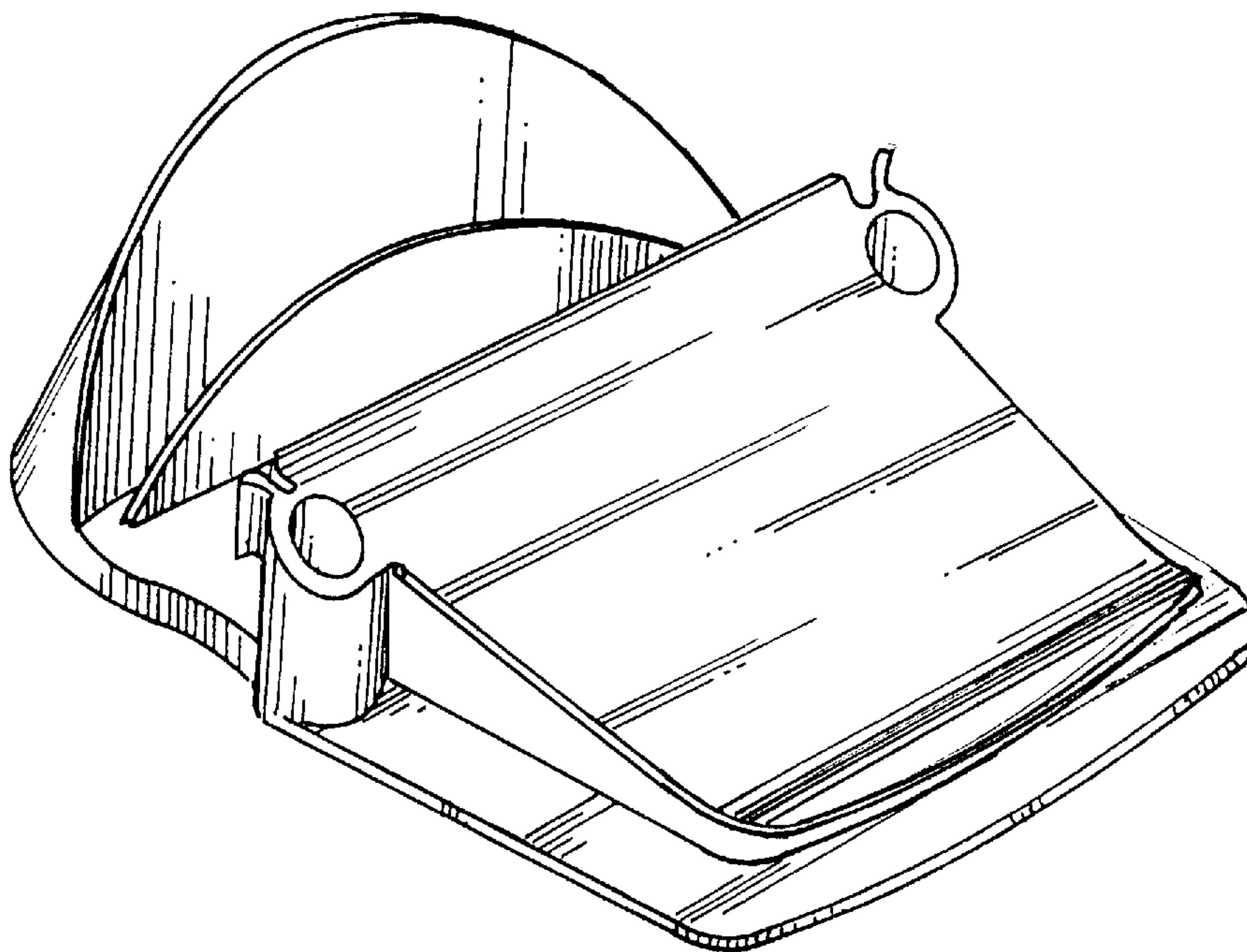
FIG. 1 is a perspective view of the mouse pad accessory holder showing our new design;
FIG. 2 is a side elevational view of the right side of the mouse pad accessory holder;
FIG. 3 is a side elevational view of the left side of the mouse pad accessory holder;
FIG. 4 is an elevational view of the rear side of the mouse pad accessory holder;
FIG. 5 is an elevational view of the front side of the mouse pad accessory holder;
FIG. 6 is a plan view of the top side of the mouse pad accessory holder; and,
FIG. 7 is a plan view of the bottom side of the mouse pad accessory holder.

[56] **References Cited**

U.S. PATENT DOCUMENTS

D. 59,130 9/1921 Samstag D6/468
D. 120,652 5/1940 Posnack D19/78
D. 130,924 12/1941 Rossi D19/77 X
D. 139,831 12/1944 Posnack D19/84 X
D. 170,881 11/1953 Marano D19/78
D. 185,130 5/1959 Camilli D19/90 X

1 Claim, 3 Drawing Sheets



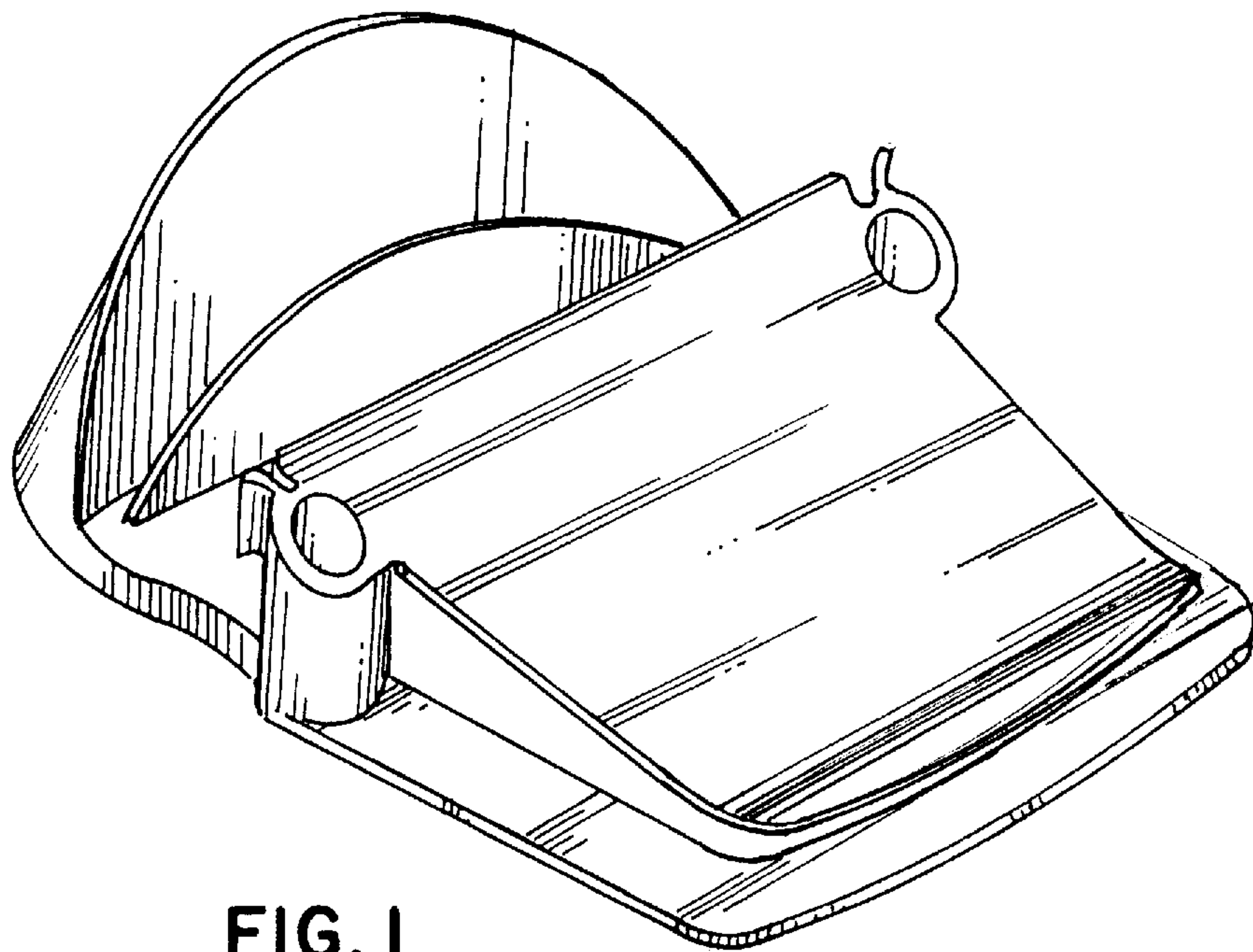


FIG. 1

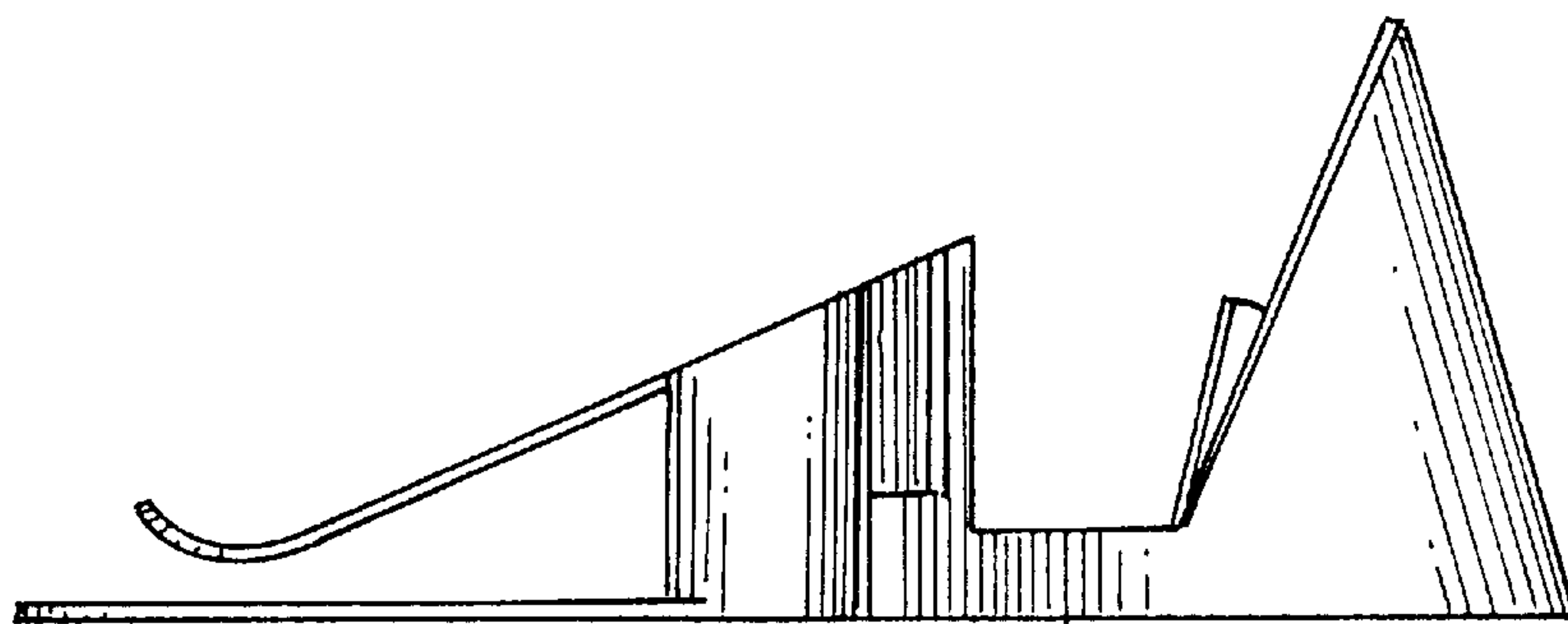


FIG. 2

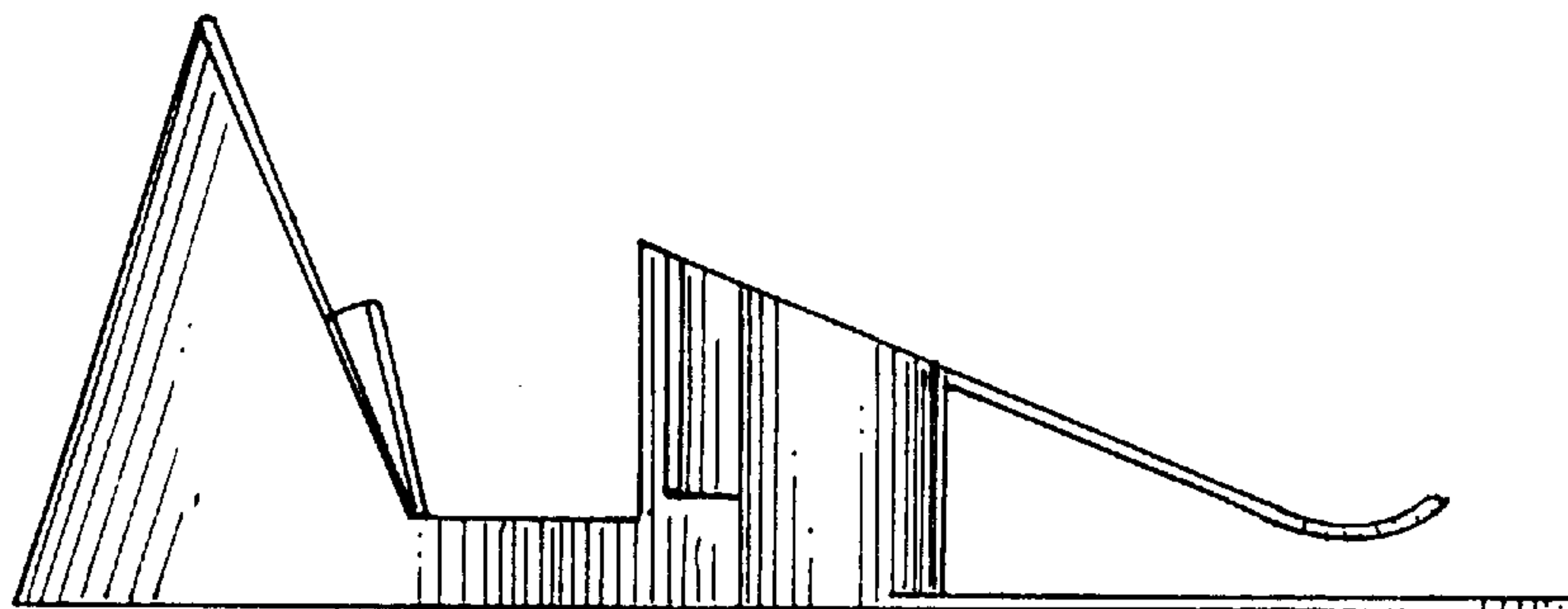


FIG. 3

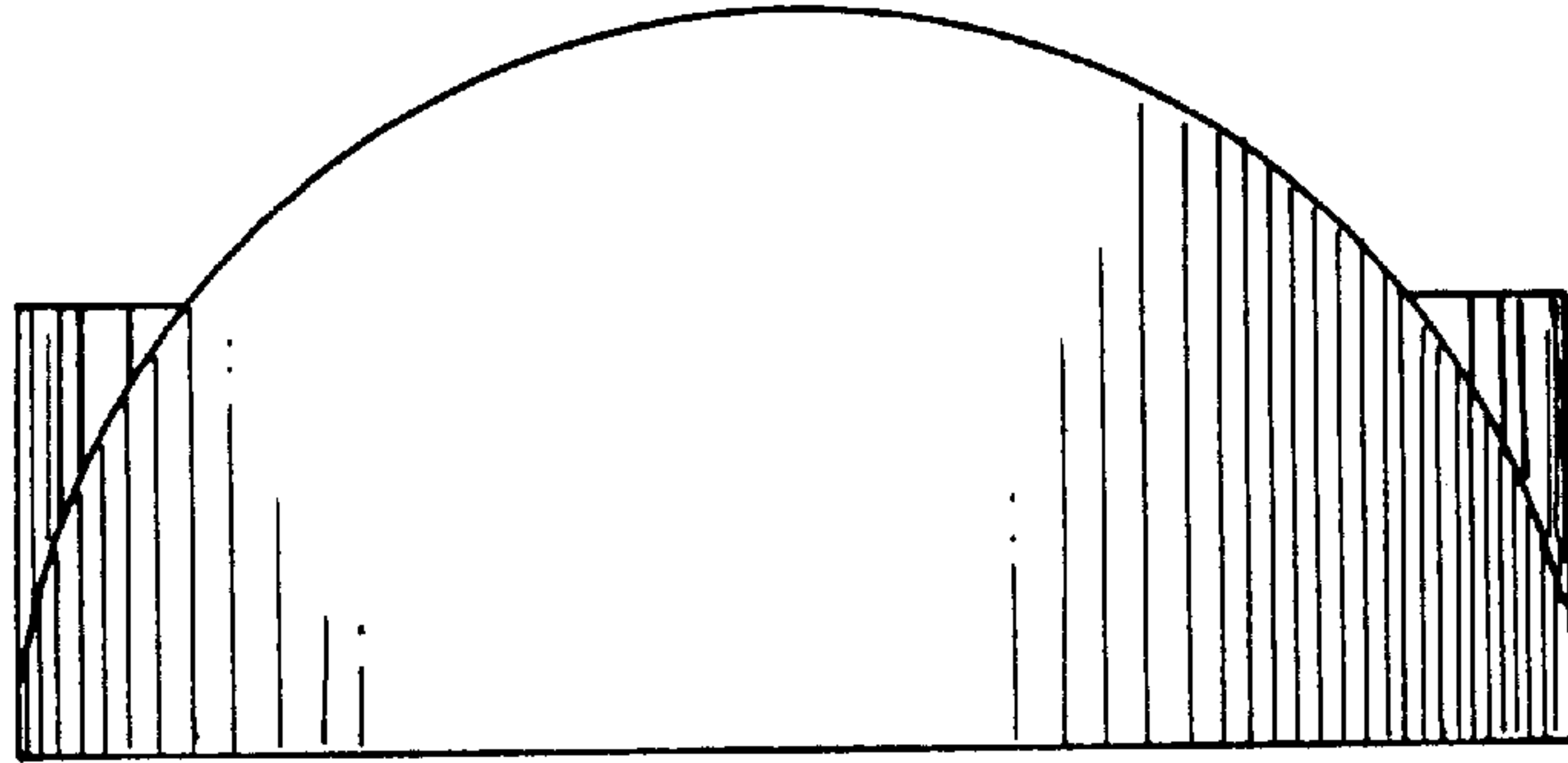


FIG. 4

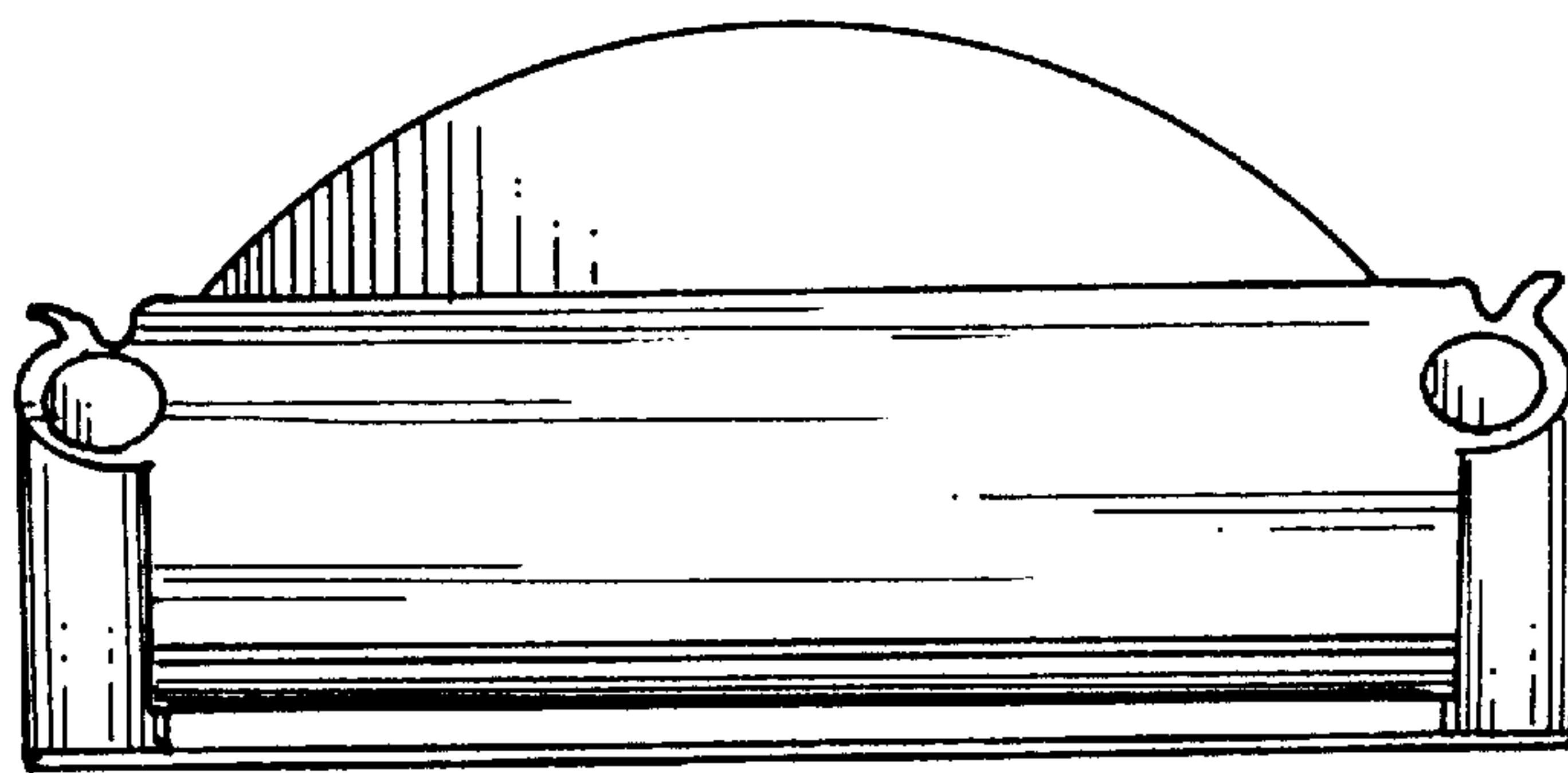


FIG. 5

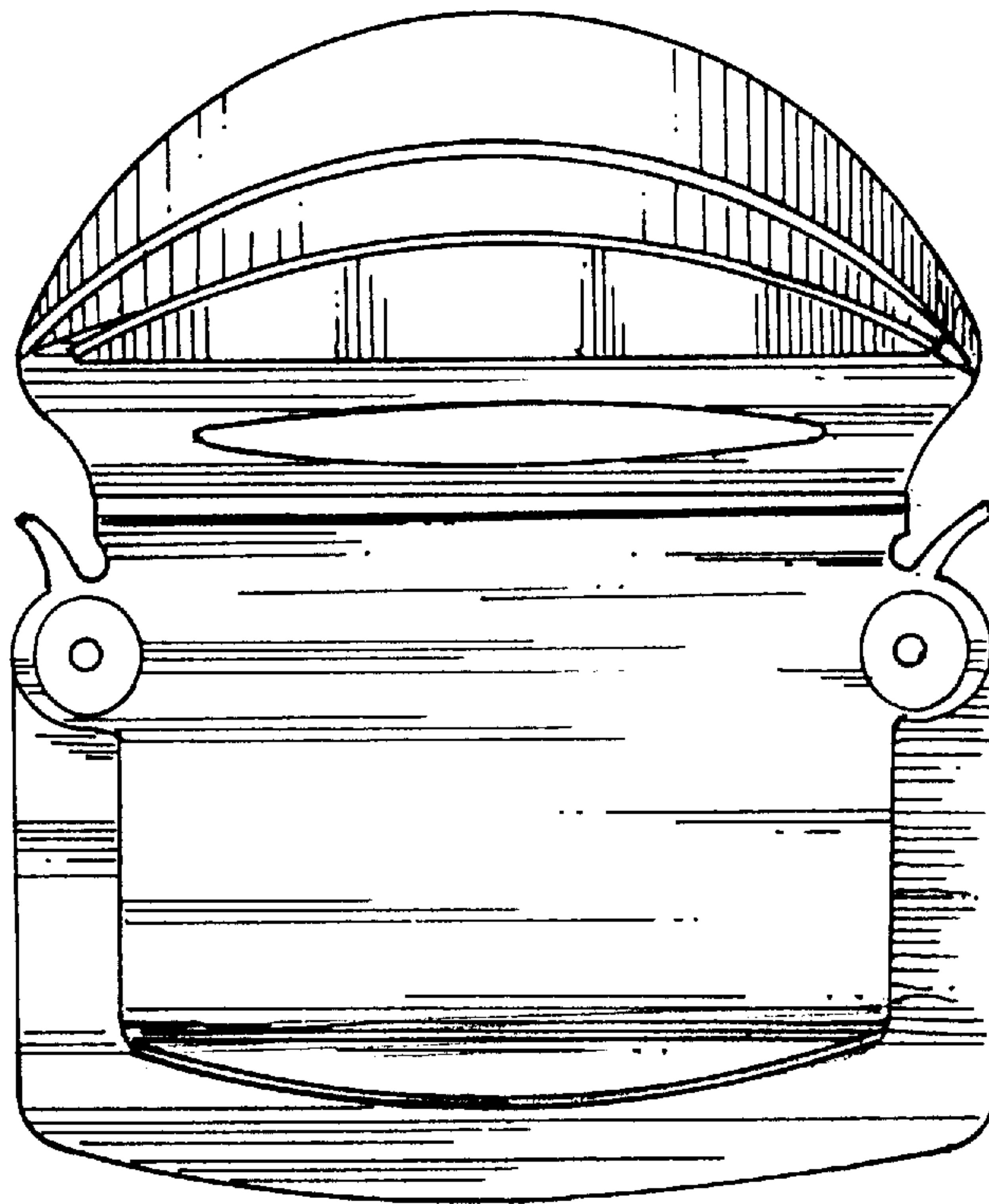


FIG. 6

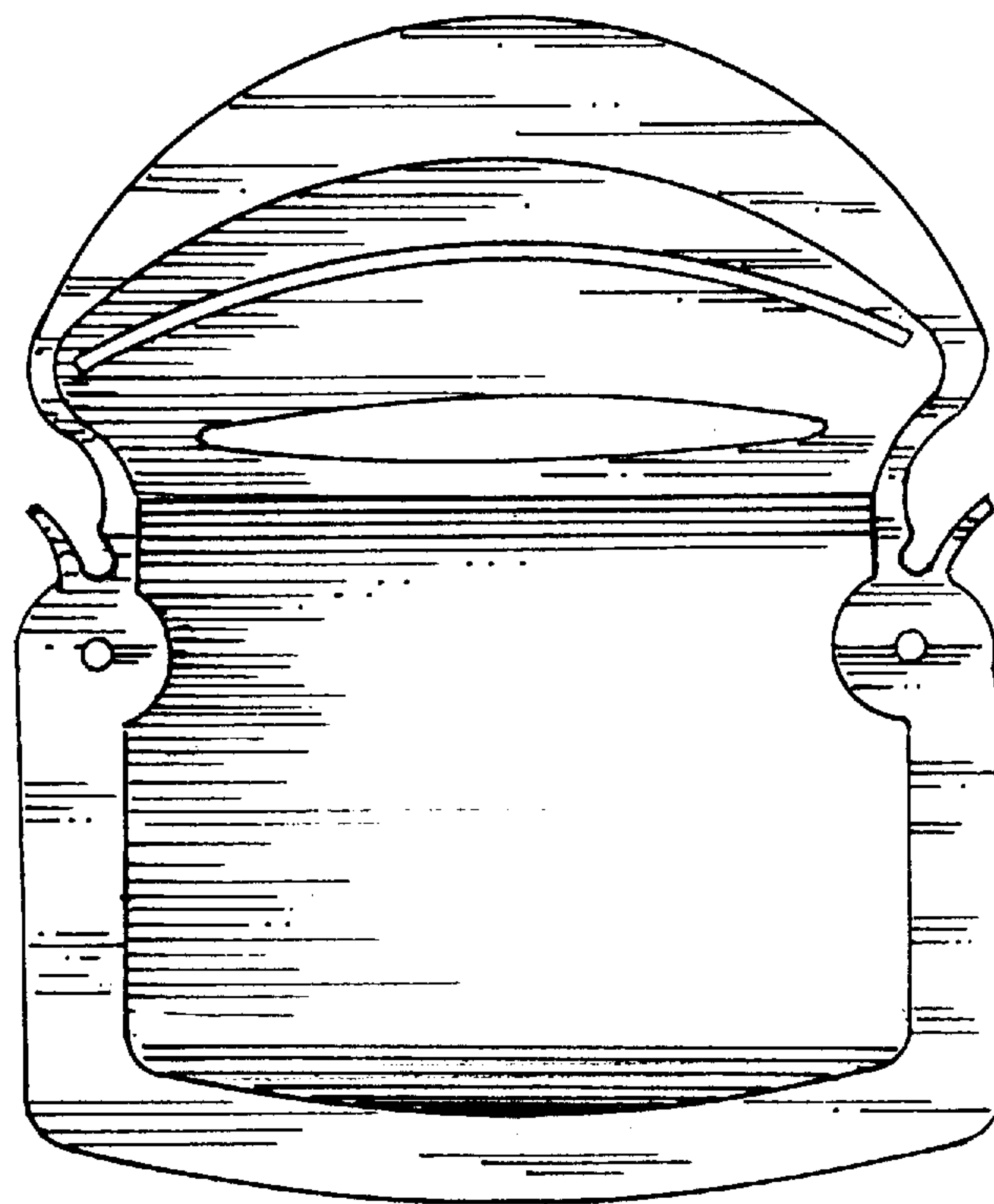


FIG. 7