



US00D400918S

United States Patent [19]
Kobayashi et al.

[11] **Patent Number: Des. 400,918**
[45] **Date of Patent: **Nov. 10, 1998**

[54] **INK JET COLOR PRINTER**
[75] Inventors: **Masahiko Kobayashi; Manabu Kawahara; Takashi Yoshida; Tooru Nakazawa**, all of Suwa, Japan
[73] Assignee: **Seiko Epson Corporation**, Tokyo, Japan
[**] Term: **14 Years**
[21] Appl. No.: **69,589**
[22] Filed: **Apr. 15, 1997**
[30] **Foreign Application Priority Data**
Oct. 15, 1996 [JP] Japan 8-30866
[51] **LOC (6) Cl. 14-02**
[52] **U.S. Cl. D18/55**
[58] **Field of Search D18/50, 54, 55; 400/613, 613.1-613.4, 690-694, 690.1-690.4**

D. 379,379 5/1997 Nakazawa et al. D18/54
D. 379,827 6/1997 Andre D18/54
D. 382,583 8/1997 Takahashi et al. D18/55
D. 385,296 10/1997 Iwai et al. D18/54
D. 390,258 2/1998 Kawahara et al. D18/55
D. 390,597 2/1998 Igarashi et al. D18/55

OTHER PUBLICATIONS

Micro Center The Computer Department Store catalog; p. 17; IBM ExecJet II 4076 InkJet Printer; #730119, Aug. 1994.

Primary Examiner—Cathy Anne MacCormac
Attorney, Agent, or Firm—Stroock & Stroock & Lavan LLP

[57] **CLAIM**

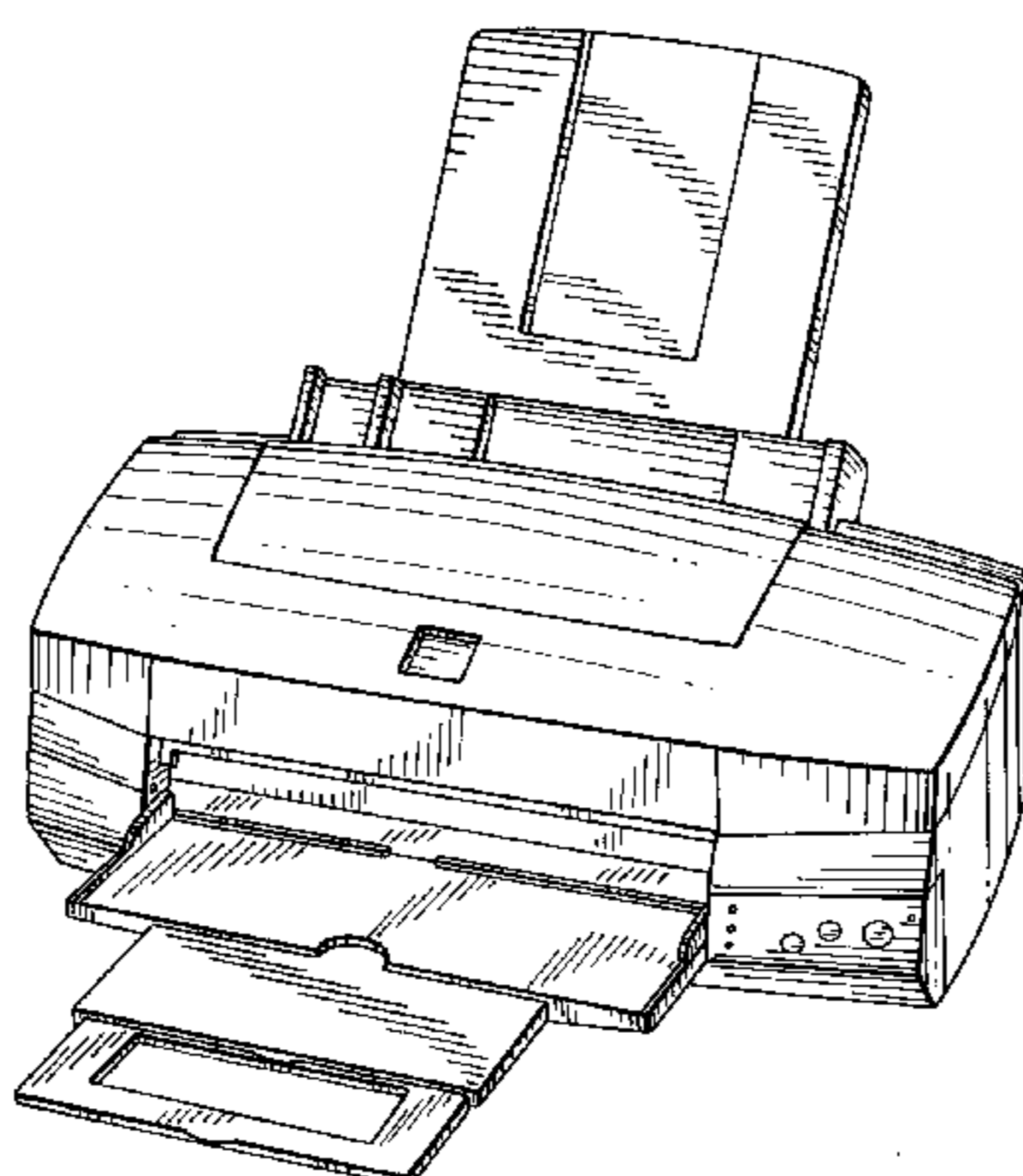
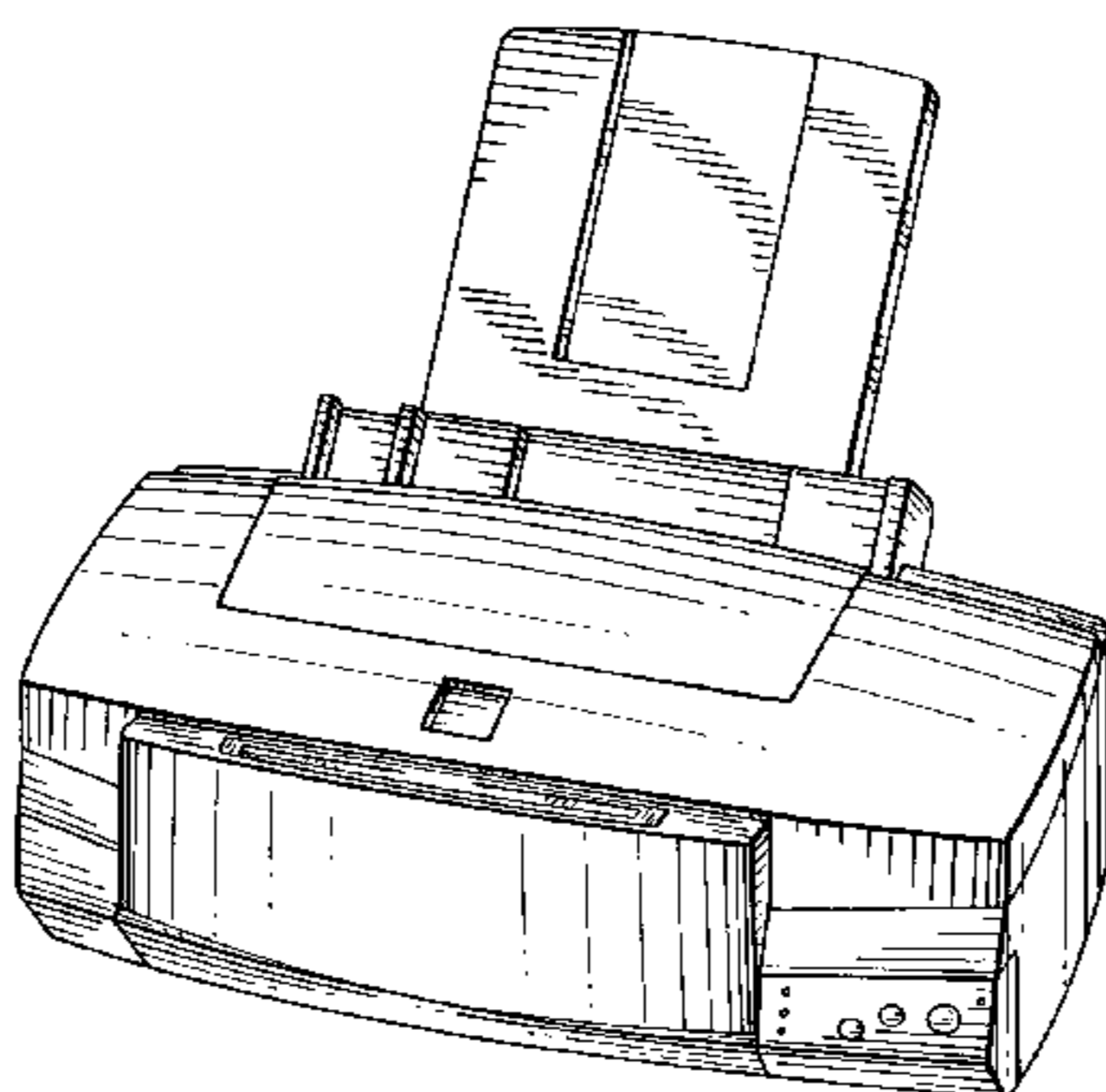
The ornamental design for an ink jet color printer, as shown and described.

DESCRIPTION

FIG. 1 is a perspective view of an ink jet color printer showing our new design;
FIG. 2 is a top plan view thereof;
FIG. 3 is a front elevational view thereof;
FIG. 4 a right side elevational view thereof;
FIG. 5 a left side elevational view thereof;
FIG. 6 is a rear elevational view thereof;
FIG. 7 is another perspective view thereof showing the paper tray in extended position; and,
FIG. 8 is another perspective view of the ink jet color printer.

1 Claim, 8 Drawing Sheets

[56] **References Cited**
U.S. PATENT DOCUMENTS
D. 323,850 2/1992 Matsuo et al. D18/54
D. 326,678 6/1992 Uchibori et al. D18/55
D. 339,159 9/1993 Pruitt et al. D18/55
D. 340,944 11/1993 Ishizawa D18/50
D. 356,818 3/1995 Sekine et al. D18/55
D. 370,025 5/1996 Weng D18/50
D. 371,158 6/1996 Yoshida D18/50
D. 373,596 9/1996 Sekine et al. D18/55



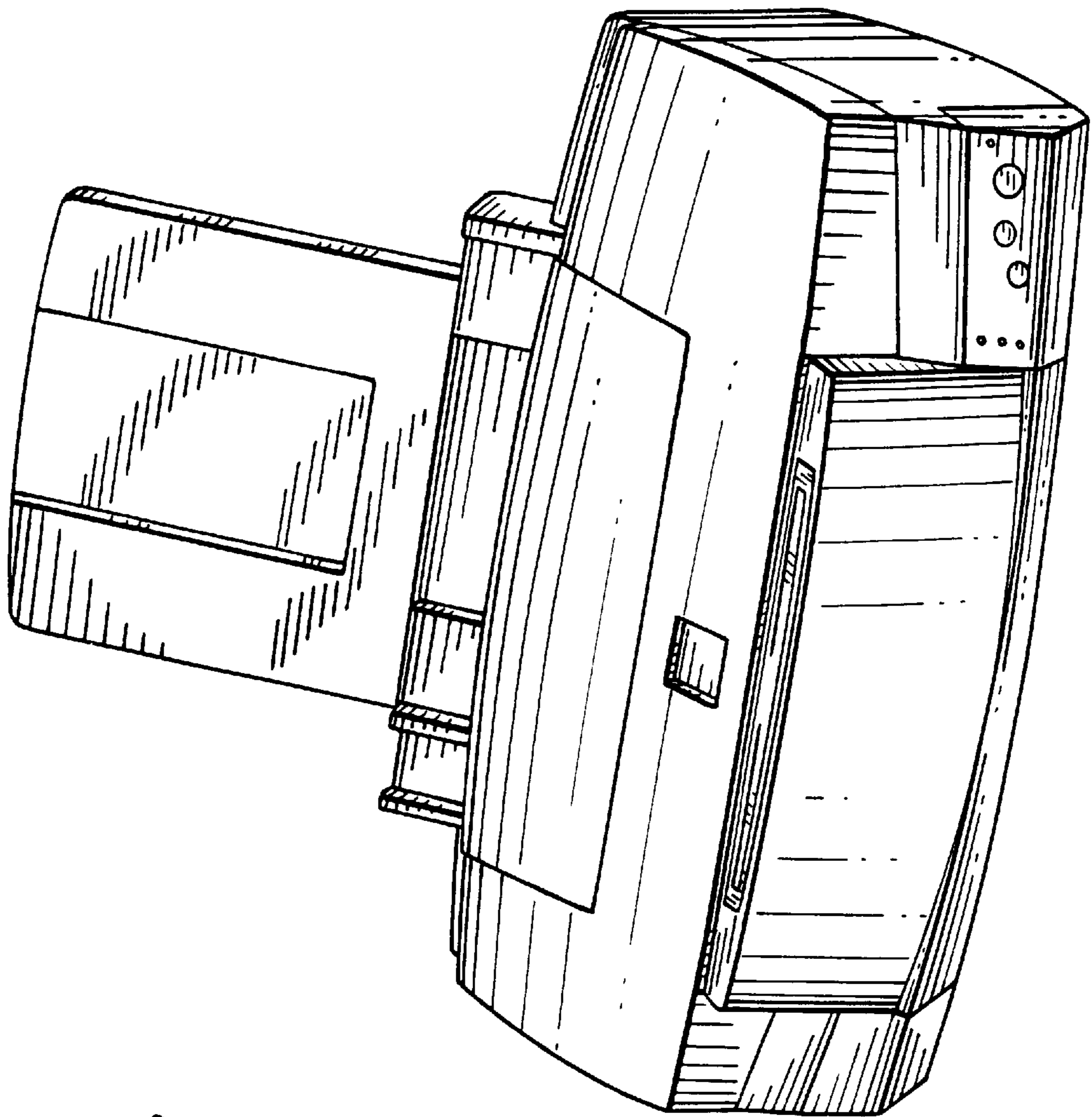


FIG. 1

FIG. 2

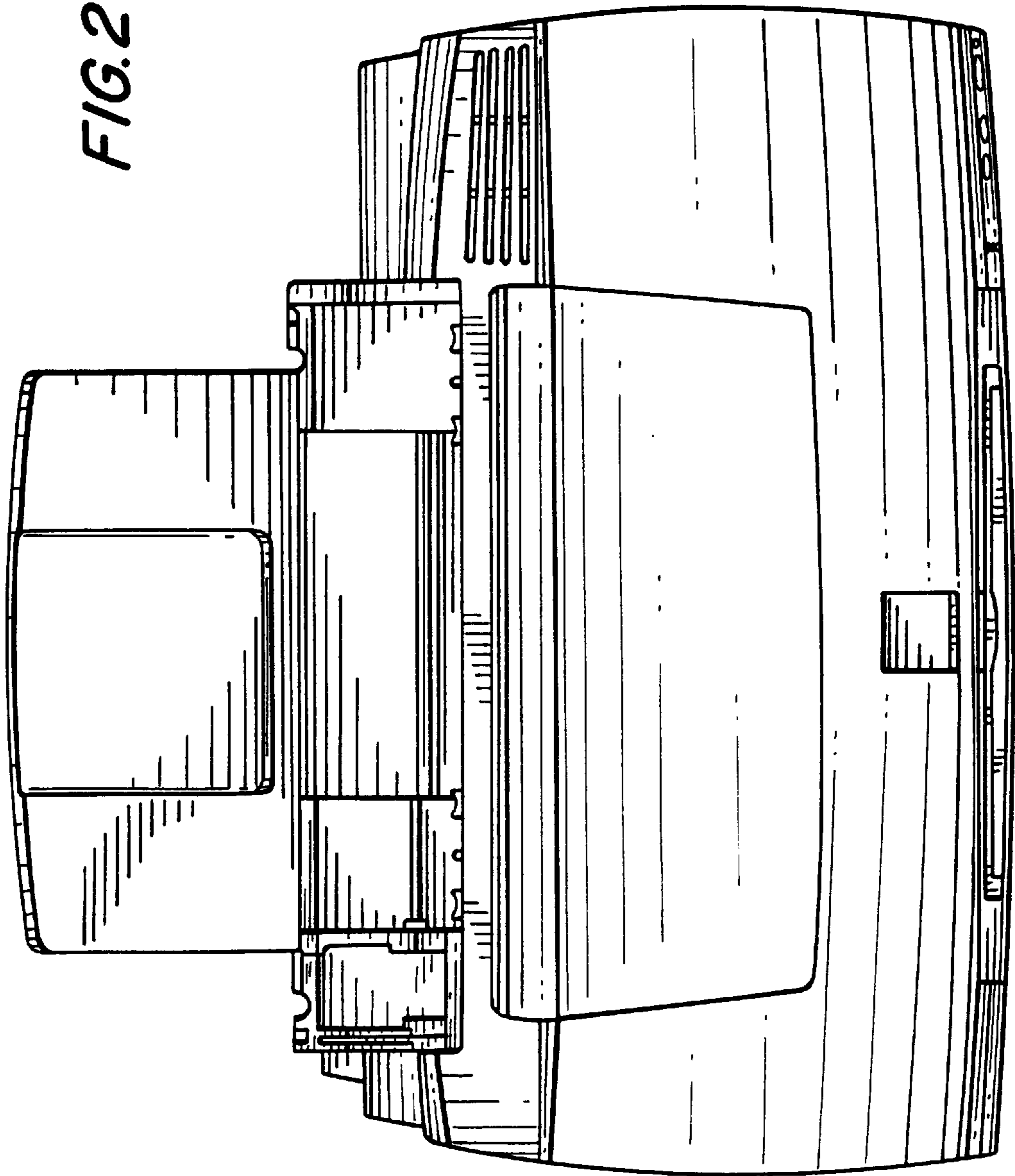


FIG. 3

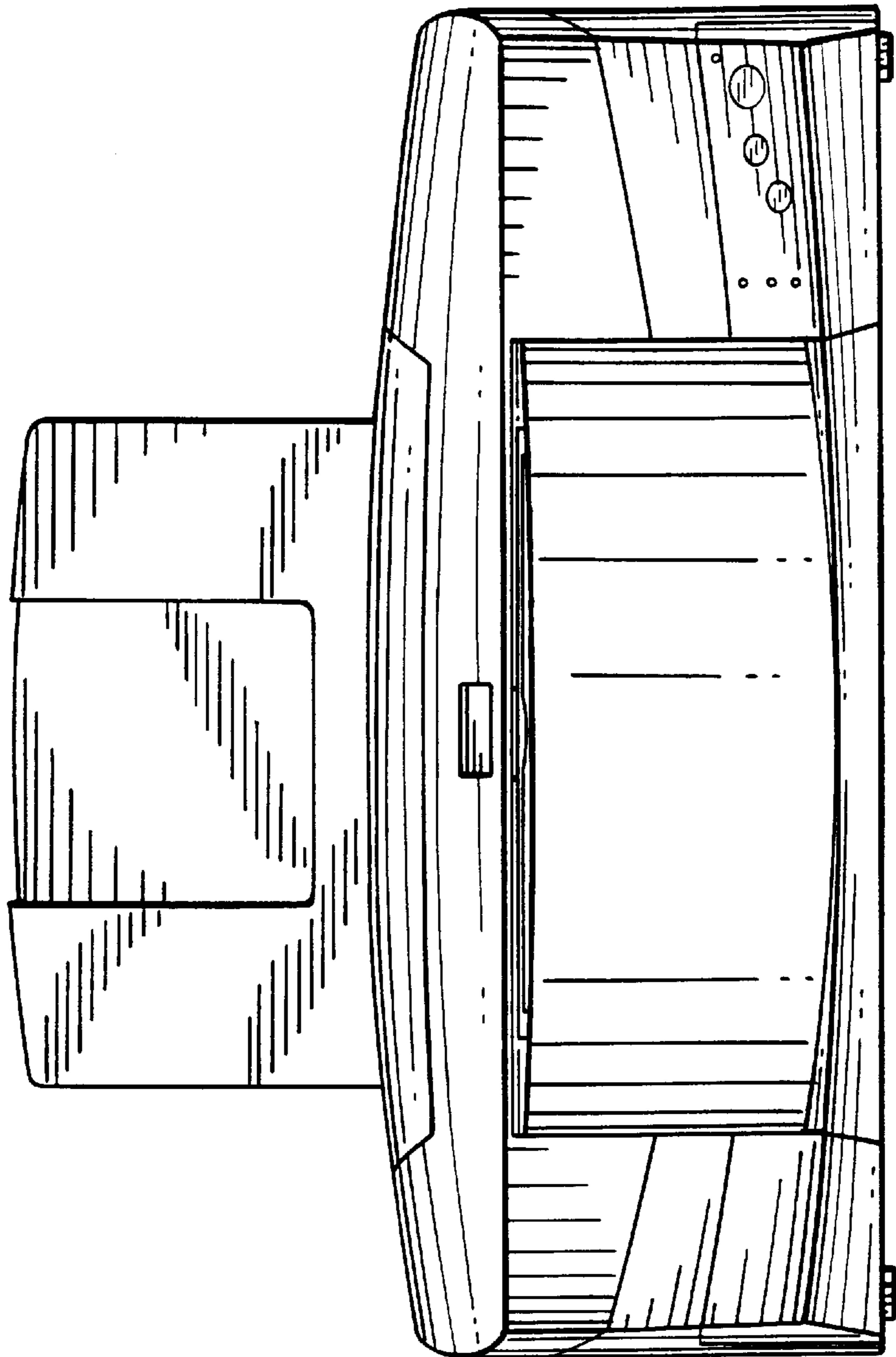
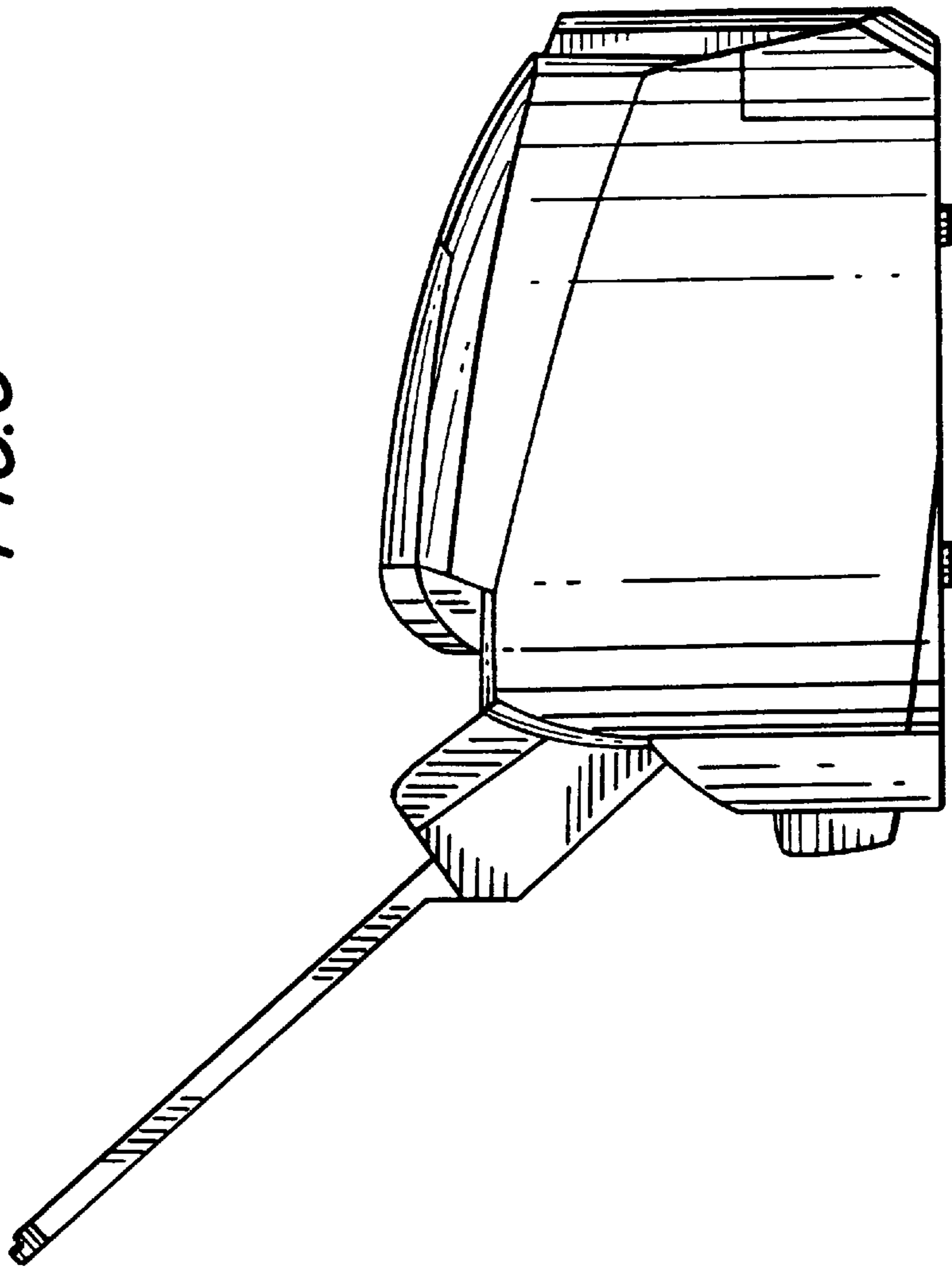


FIG. 4



FIG. 5



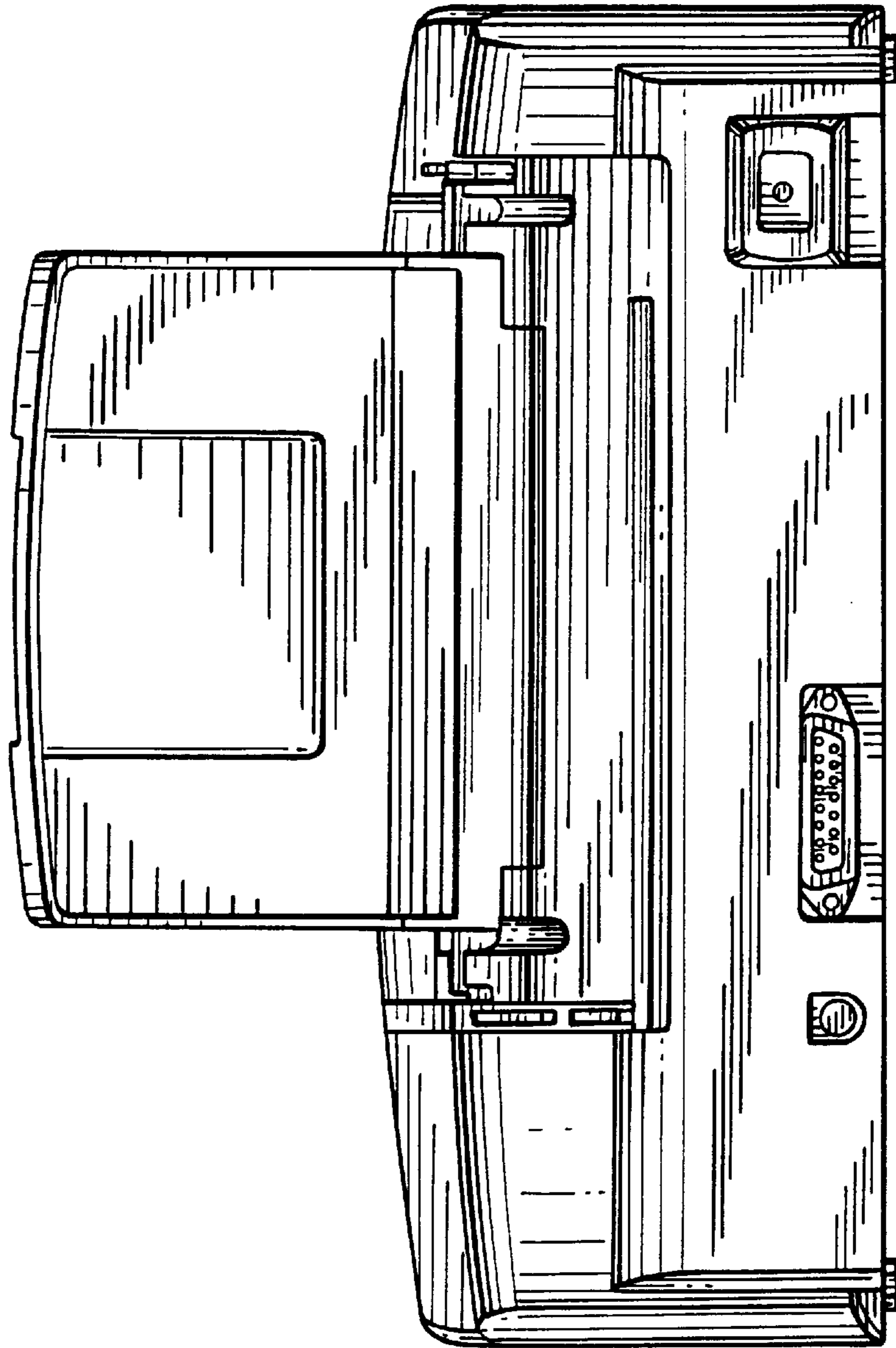


FIG.6

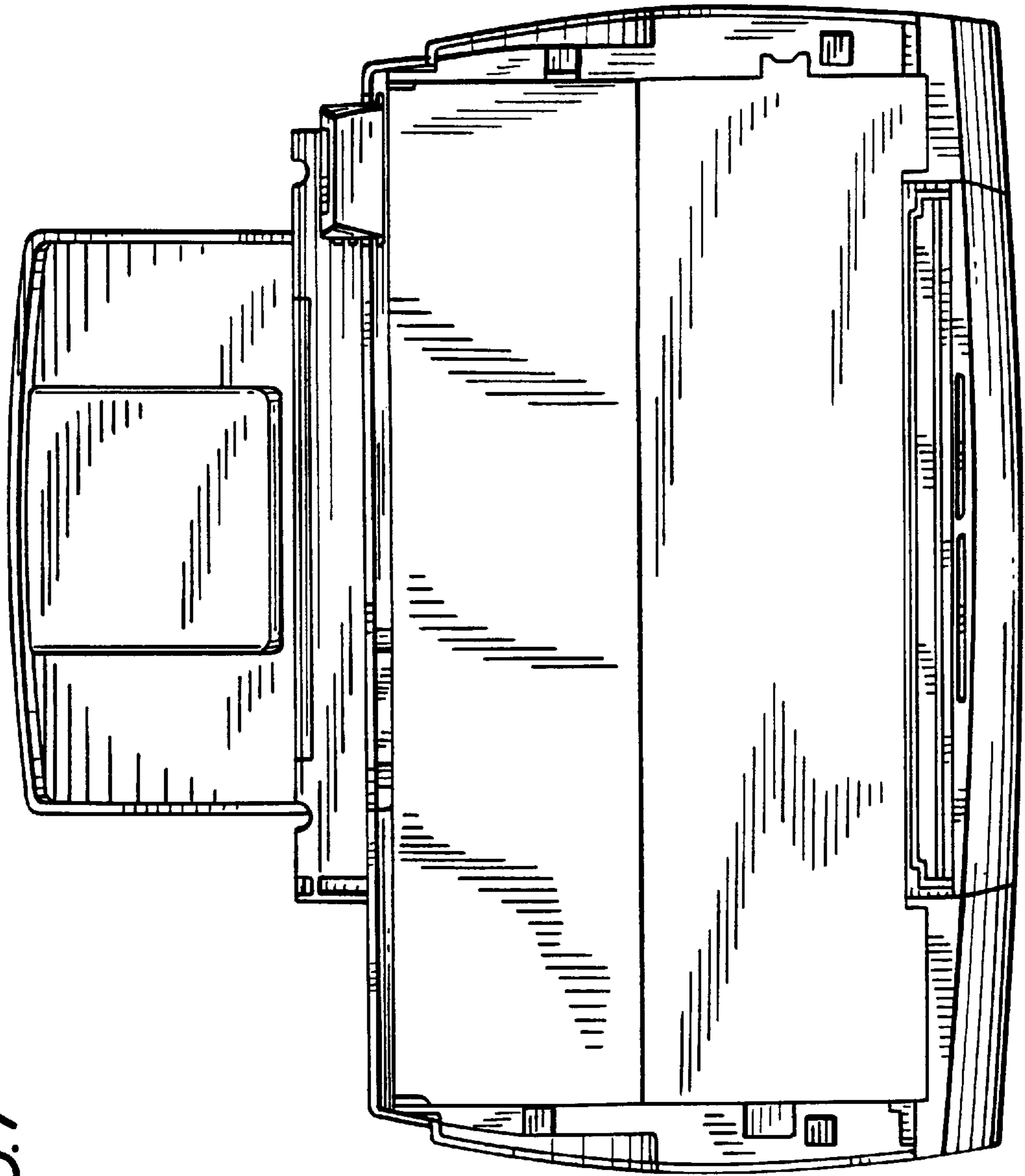


FIG. 7

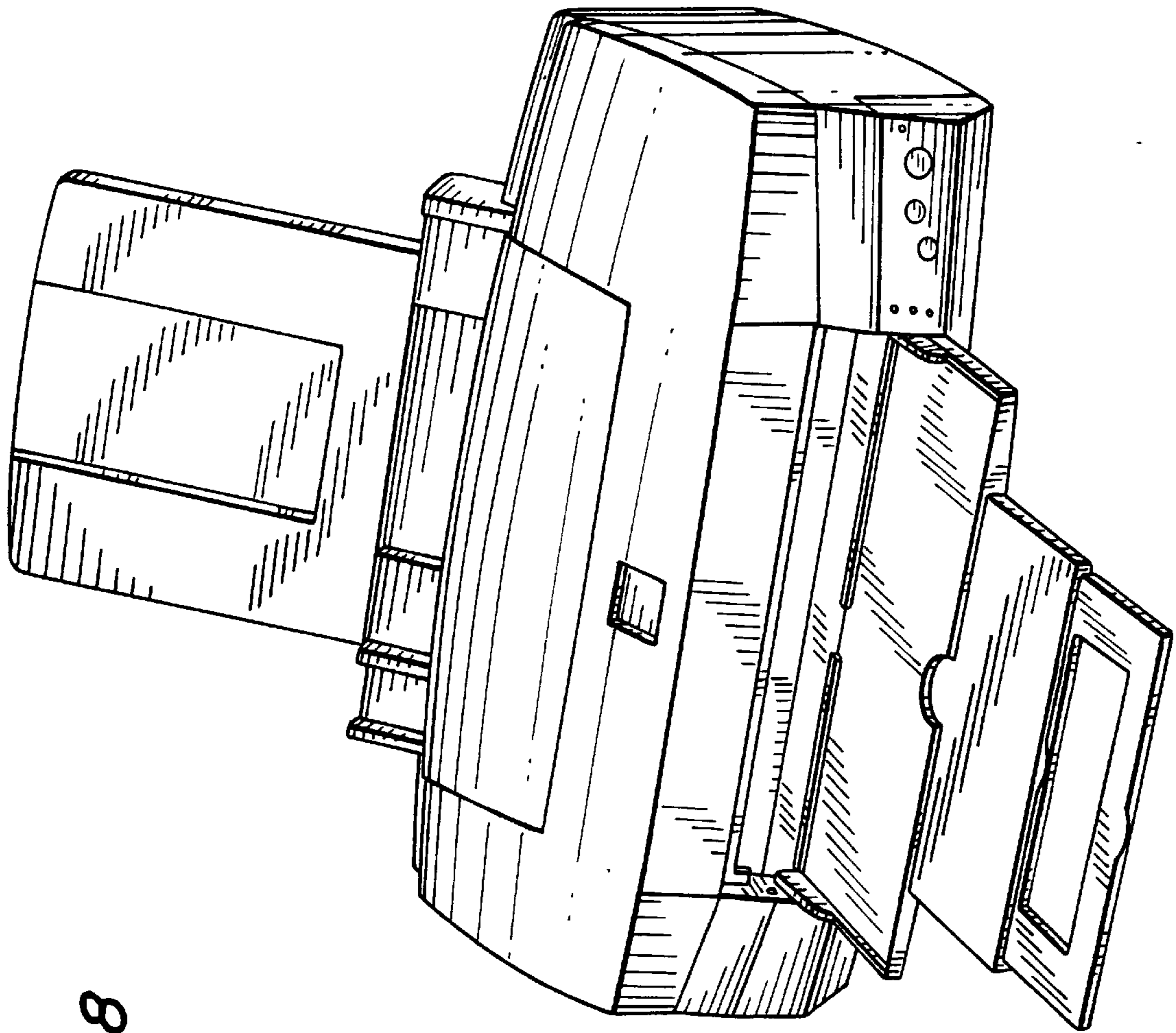


FIG. 8