



US00D400917S

United States Patent [19]

Kajikawa et al.

[11] Patent Number: **Des. 400,917**

[45] Date of Patent: ****Nov. 10, 1998**

[54] **PLOTTER**

4,996,651 2/1991 Wells 395/103

[75] Inventors: **Hidechika Kajikawa**, Mitaka; **Hidemi Ando**, Tokyo, both of Japan

OTHER PUBLICATIONS

“Omni Plotter”—advertisement for Japanese Digital Plotter, Apr. 1993.

[73] Assignee: **Copyer Co., Ltd.**, Mitaka, Japan

Primary Examiner—Doris V. Coles
Assistant Examiner—Greg Andoll
Attorney, Agent, or Firm—Edwin E. Greigg; Ronald E. Greigg

[**] Term: **14 Years**

[21] Appl. No.: **61,299**

[22] Filed: **Oct. 21, 1996**

[57] CLAIM

The ornamental design for a plotter, as shown and described.

[30] Foreign Application Priority Data

Apr. 19, 1996 [JP] Japan 8-11181

DESCRIPTION

[51] **LOC (6) Cl.** **18-02**

[52] **U.S. Cl.** **D18/53; D18/50**

[58] **Field of Search** D18/50, 53, 54, D18/56, 39; 395/103; 346/136, 145

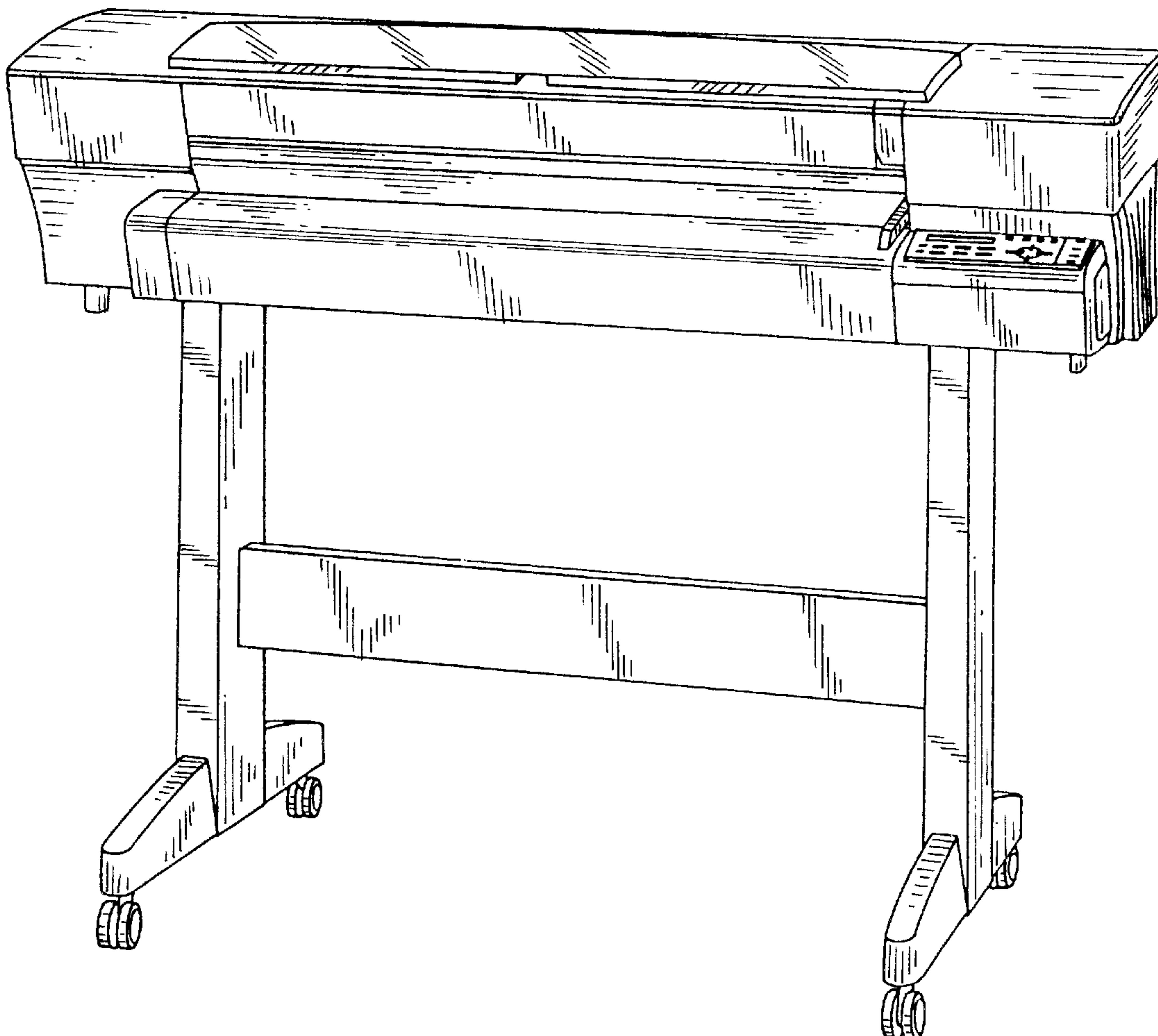
FIG. 1 is a front perspective view of a plotter showing our new design;
FIG. 2 is a front elevational view;
FIG. 3 is a rear elevational view;
FIG. 4 is a right side elevational view;
FIG. 5 is a left side elevational view;
FIG. 6 is a top plan view;
FIG. 7 is a bottom plan view; and
FIG. 8 is a bottom perspective view.

[56] References Cited

U.S. PATENT DOCUMENTS

D. 332,623	1/1993	Iwanaga	D18/53
D. 340,066	10/1993	Iwagana	D18/53
D. 347,239	5/1994	Okamoto et al.	D18/53
D. 350,973	9/1994	Lucker	D18/36

1 Claim, 8 Drawing Sheets



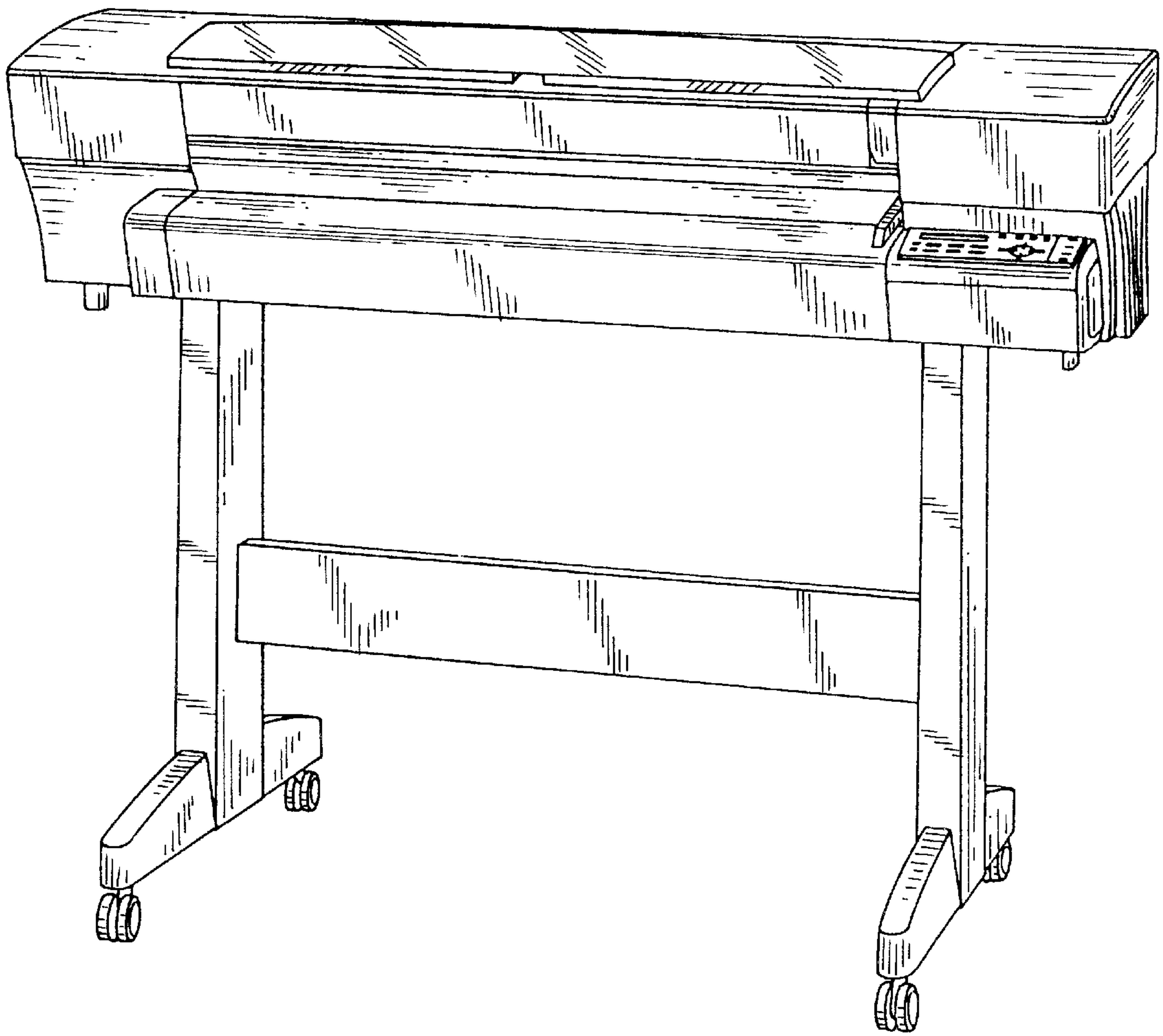


FIG. 1

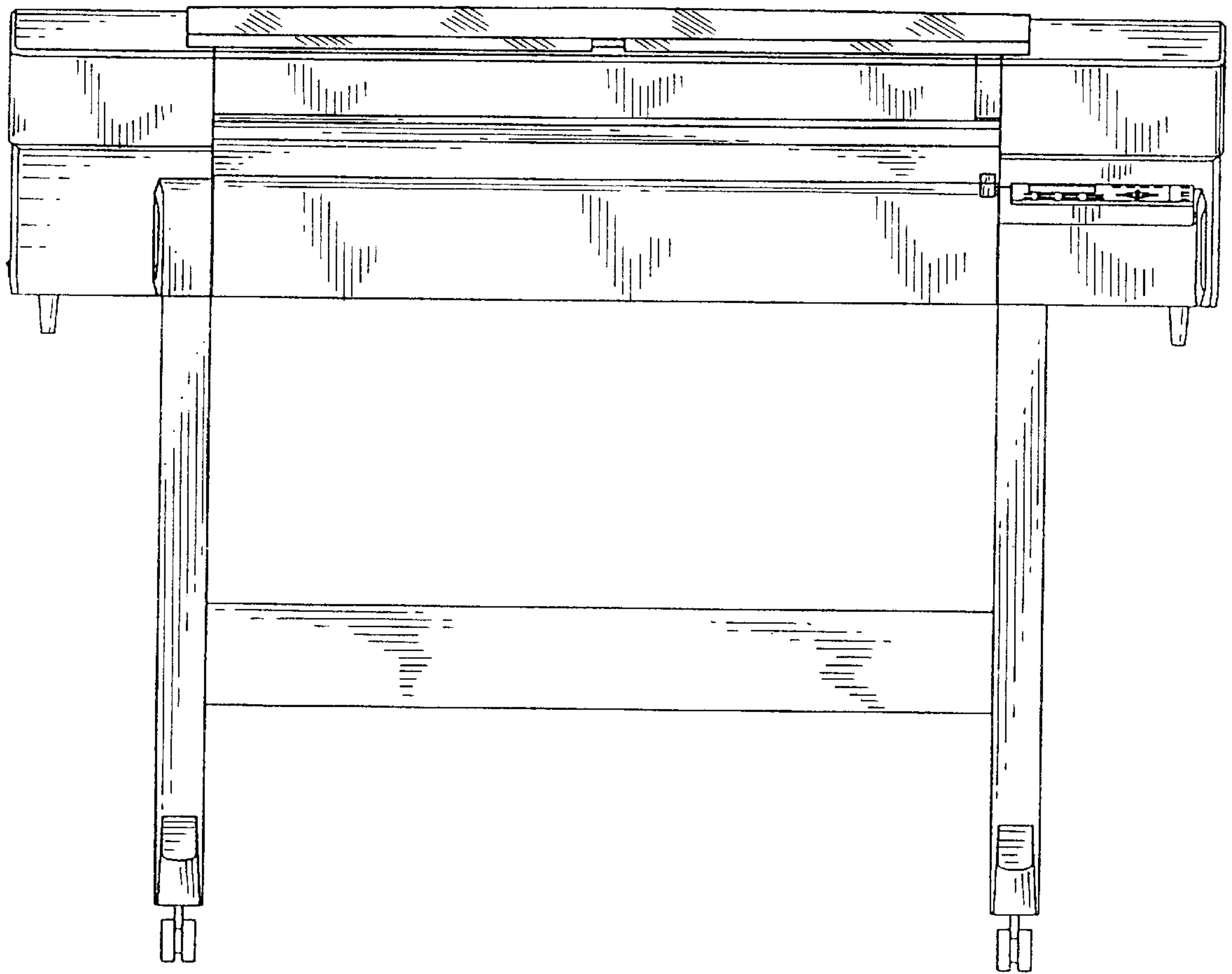
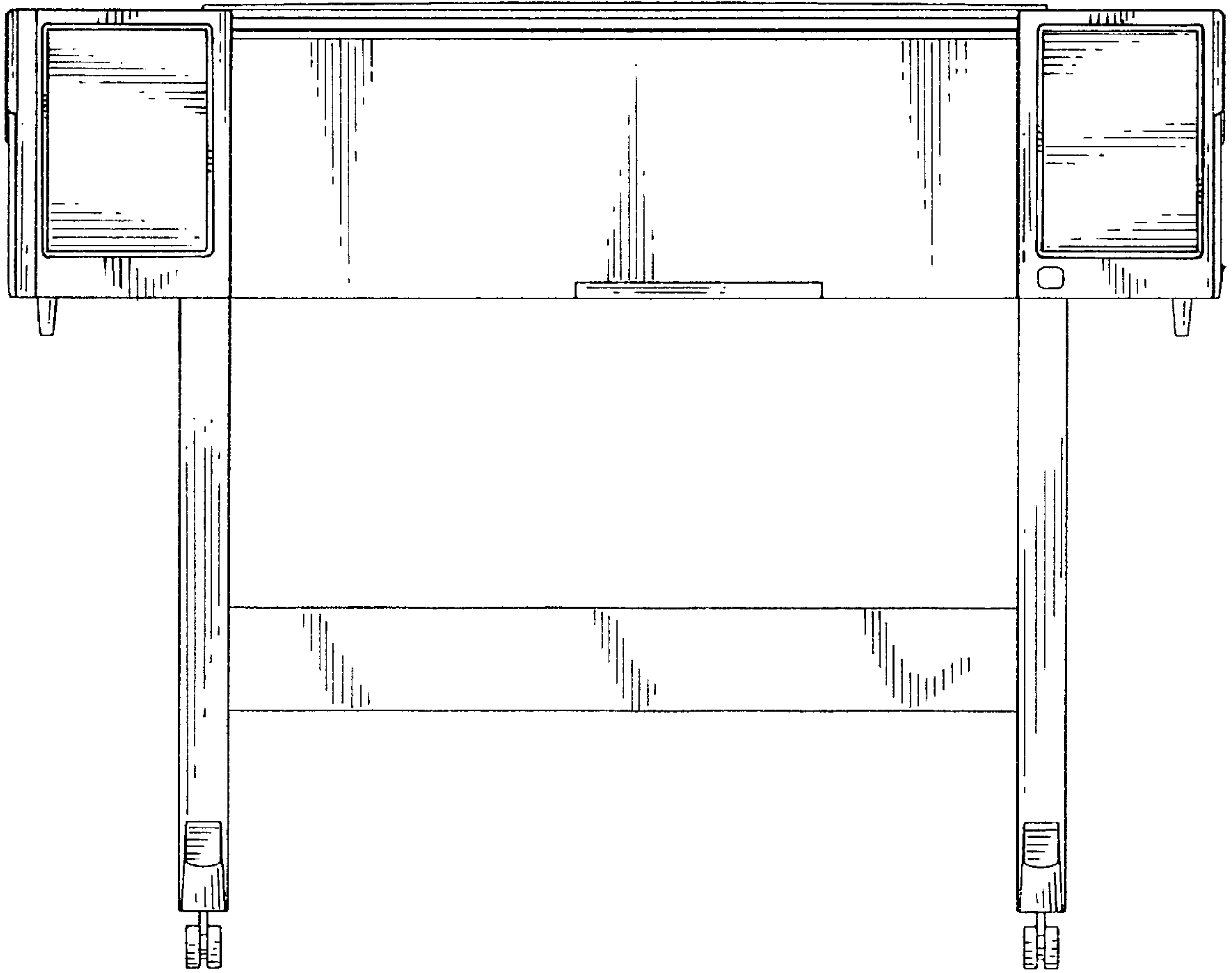


FIG. 2

FIG. 3



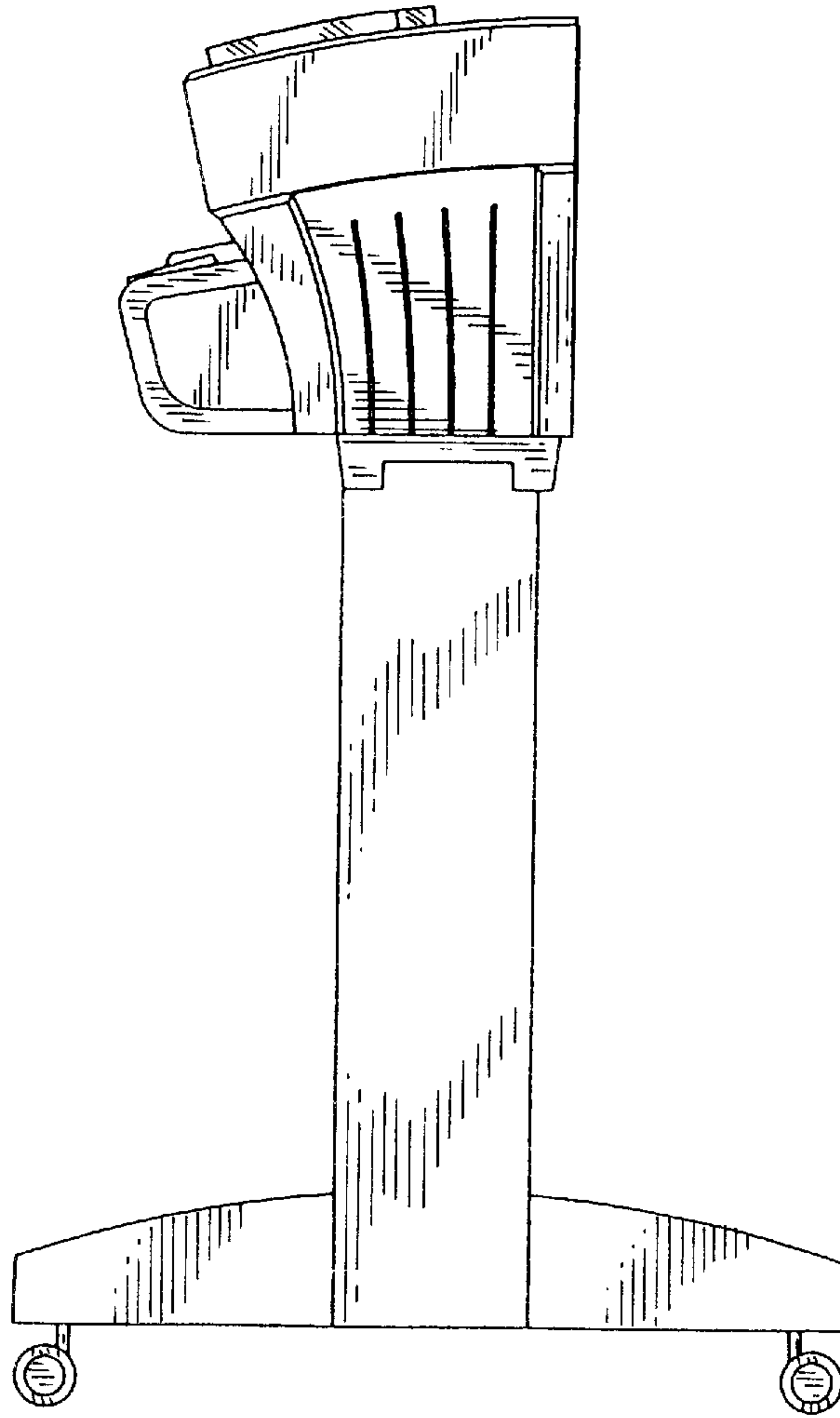


FIG. 4

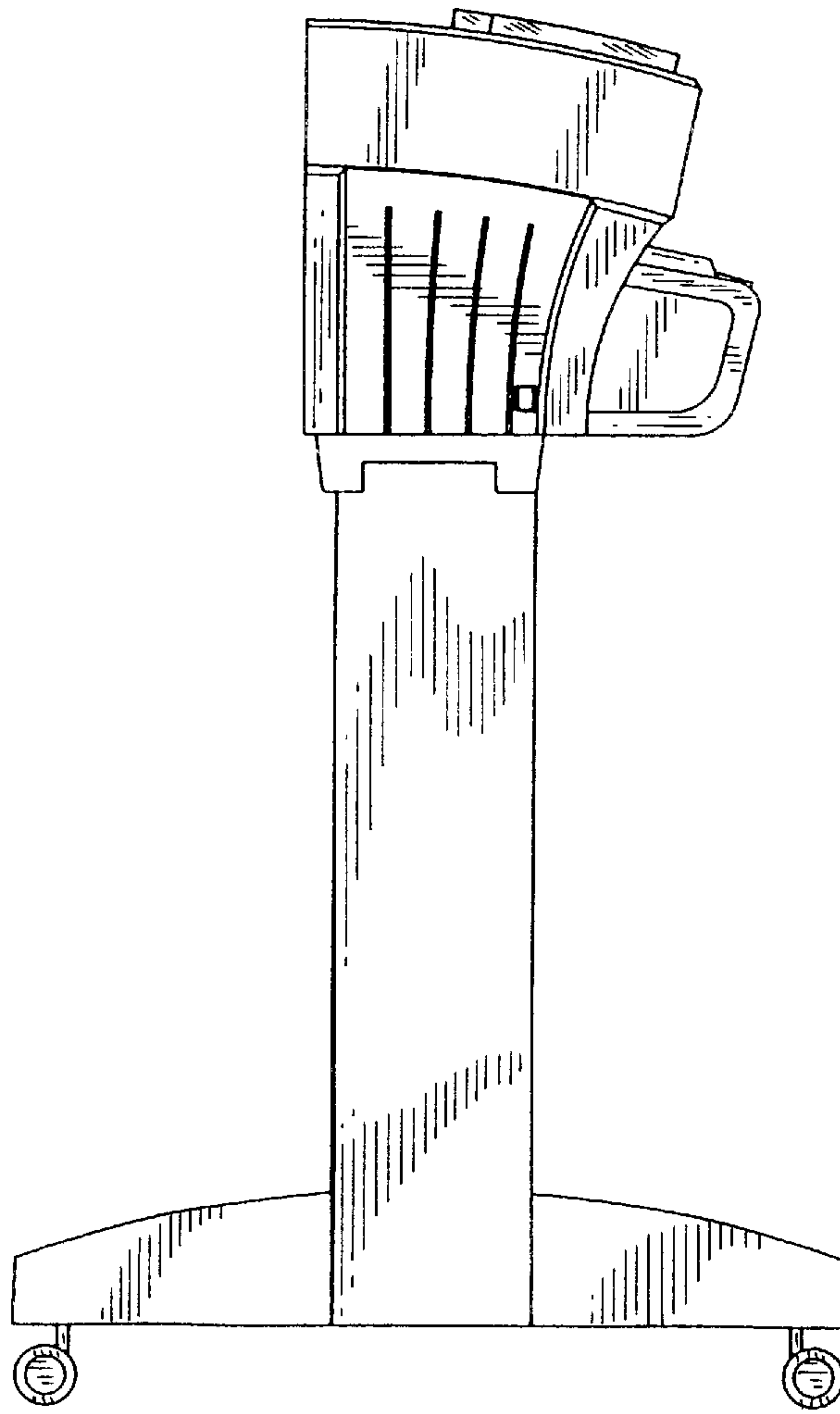


FIG. 5

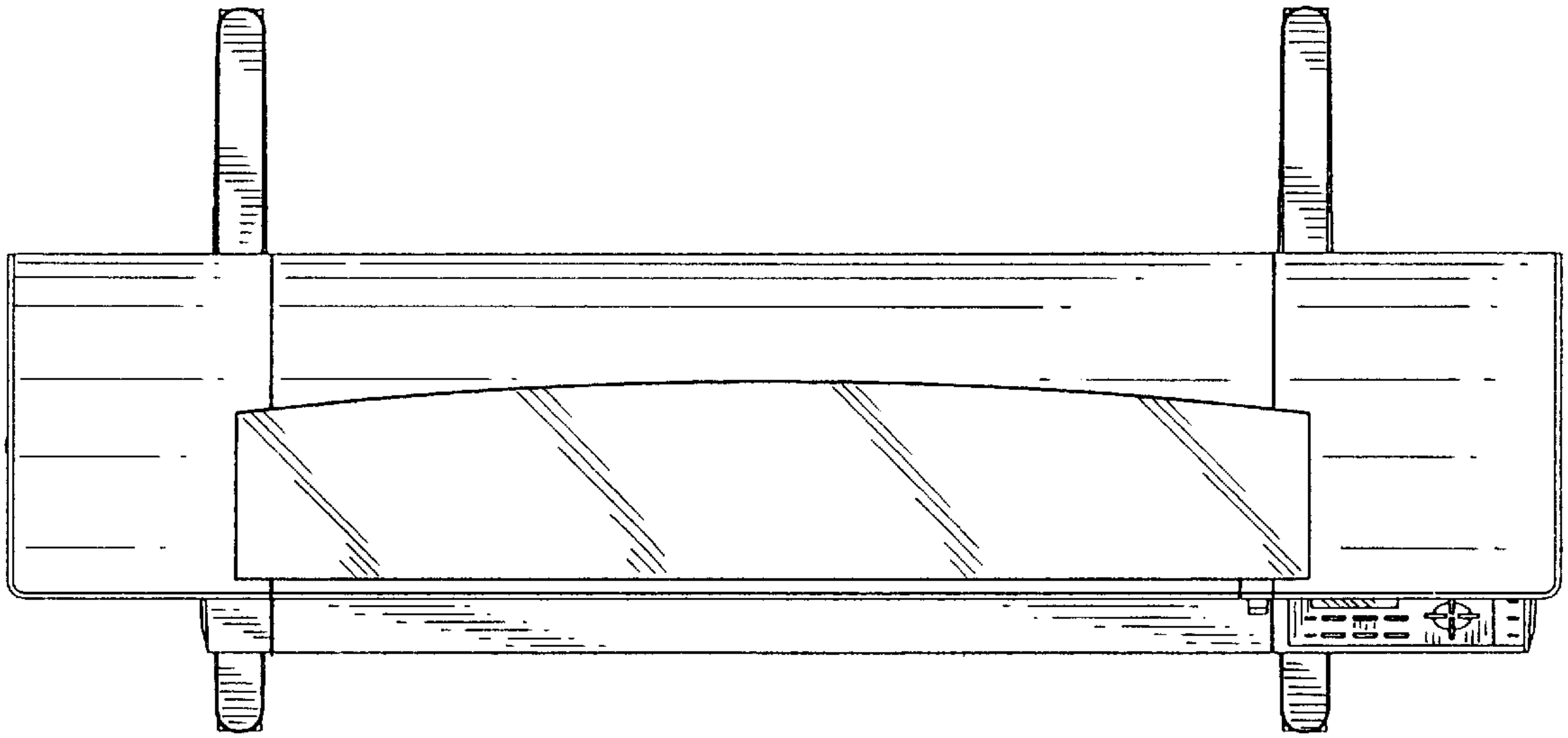


FIG. 6

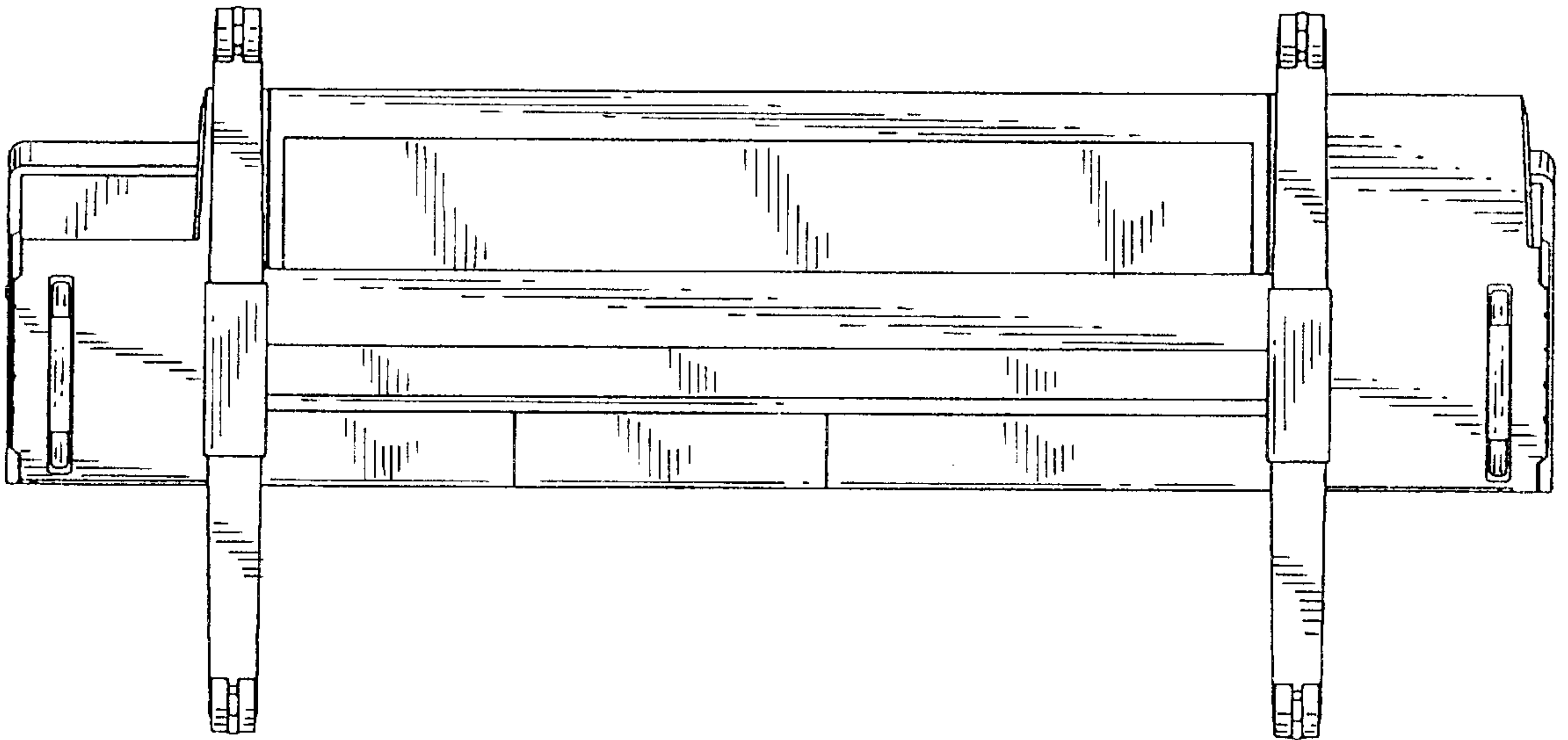


FIG. 7

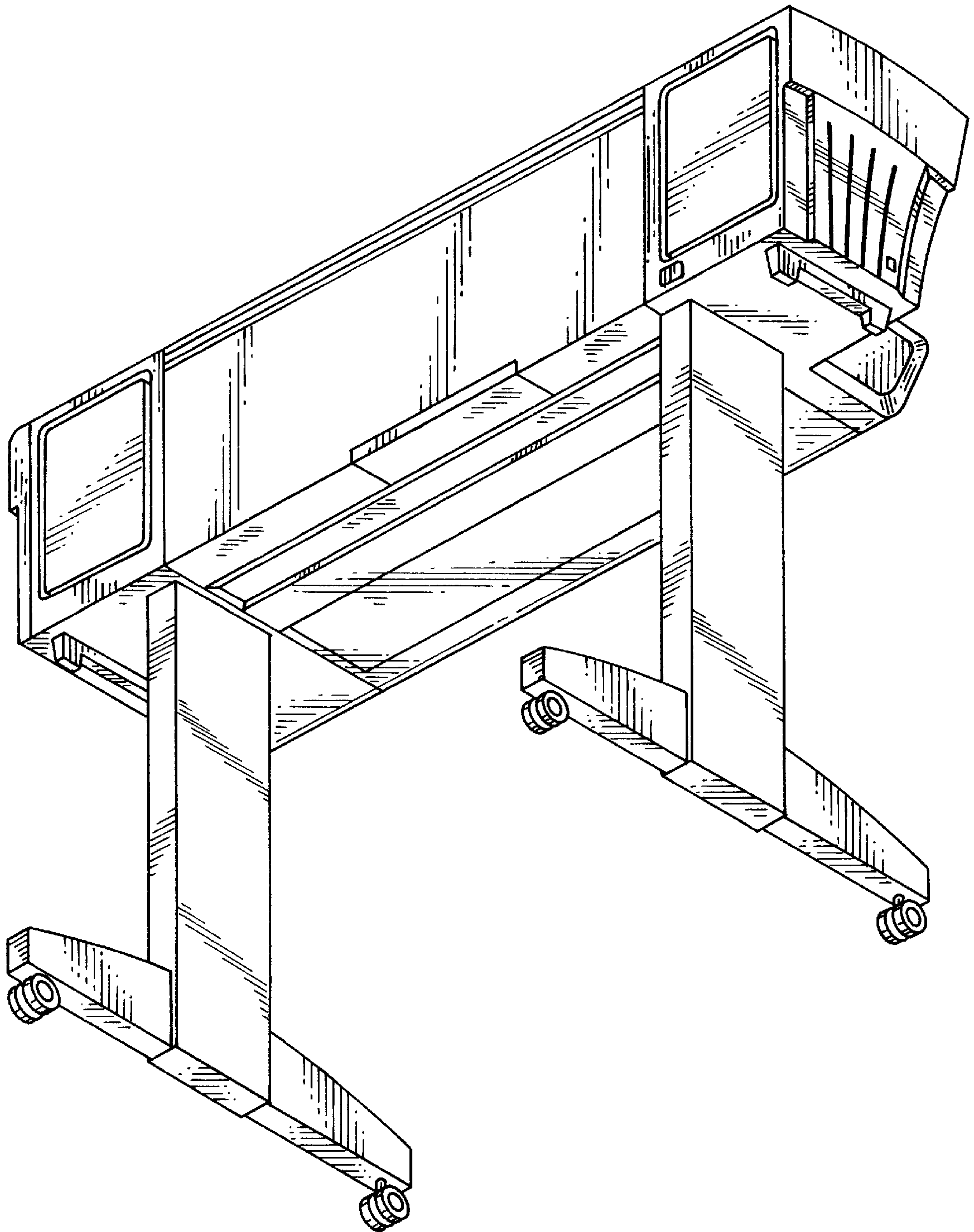


FIG. 8