



US00D400914S

United States Patent [19]

Corcoran et al.

[11] Patent Number: Des. 400,914

[45] Date of Patent: **Nov. 10, 1998

[54] **HAND OPERATED PRESS FOR BINDING PAPER PADS**

4,537,546 8/1985 Lucas 412/10

[75] Inventors: **Kevin L. Corcoran**, Mission Viejo;
Trevor J. Freeman, Anaheim, both of Calif.

Primary Examiner—Louis S. Zarfes
Assistant Examiner—G. Albert Andoll
Attorney, Agent, or Firm—Morland C. Fischer

[73] Assignee: **Ellison Educational Equipment, Inc.**,
Lake Forest, Calif.

[57] **CLAIM**

[**] Term: **14 Years**

The ornamental design for a hand operated press for binding paper pads, as shown and described.

[21] Appl. No.: **59,200**

DESCRIPTION

[22] Filed: **Sep. 5, 1996**

[51] **LOC (6) Cl.** **18-04**

[52] **U.S. Cl.** **D18/34**

[58] **Field of Search** D18/34; 412/9,
412/10, 902; 248/442.2; 100/226

FIG. 1 is a perspective view showing the top, front and left side of a hand operated press for binding paper pads showing our new design;

FIG. 2 is perspective view thereof with the pressing bar shown at a lowered position;

FIG. 3 is a top plan view of FIG. 1;

FIG. 4 is a front elevational view of FIG. 1;

FIG. 5 is a left side elevational view of FIG. 1, the right side elevational view being a mirror image thereof;

FIG. 6 is a bottom plan view of FIG. 1; and,

FIG. 7 is a rear elevational view of FIG. 1.

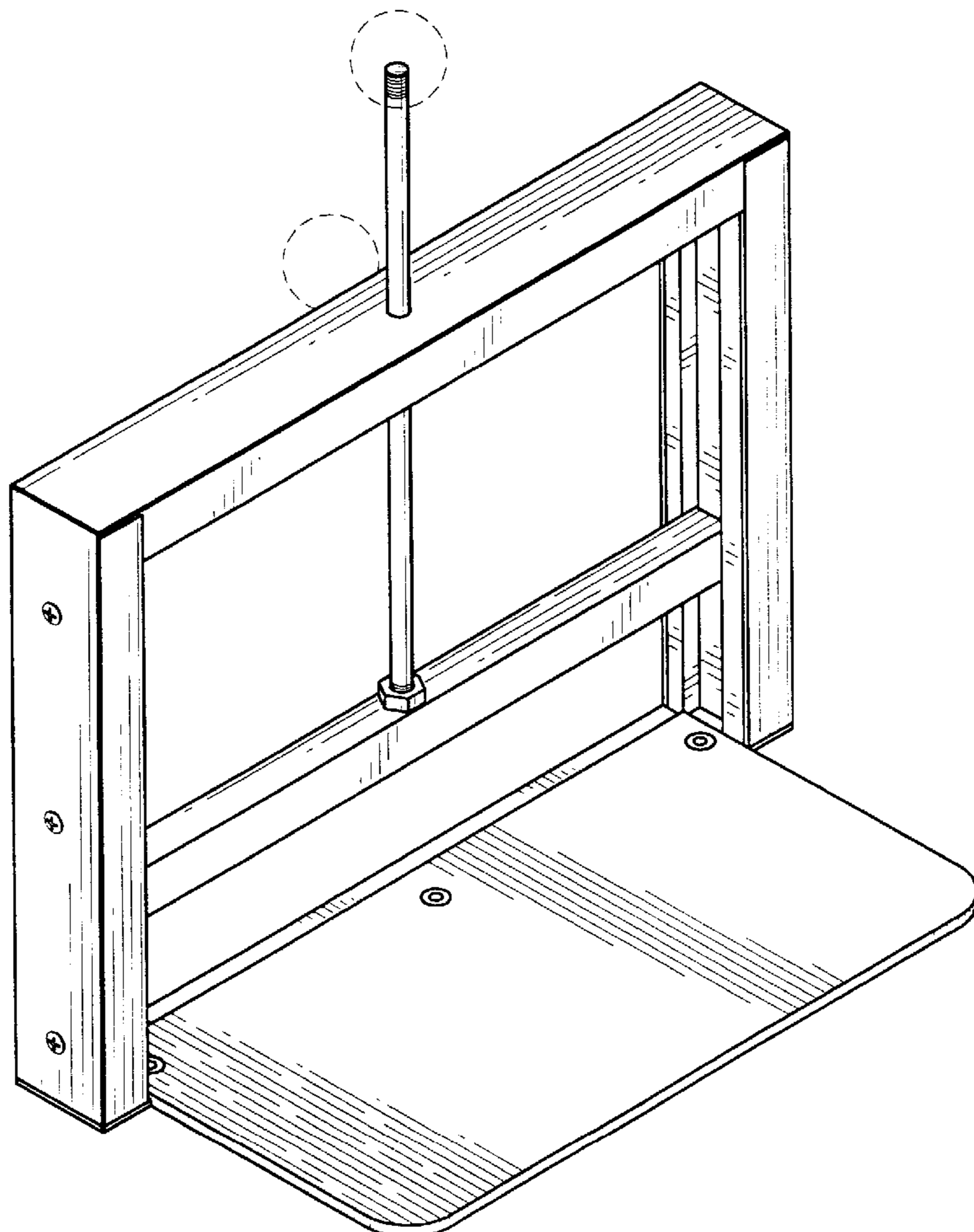
The broken line showing of the hand grips in FIGS. 1 and 2 is for illustrative purposes only and forms no part of the claimed design.

[56] **References Cited**

U.S. PATENT DOCUMENTS

D. 380,488	7/1997	Elstad et al.	D18/34
2,625,908	1/1953	Knott	248/442.2
2,641,781	6/1953	Haskell	412/9
3,261,044	7/1966	Hoff	412/9
3,986,447	10/1976	Zimmer	412/10

1 Claim, 3 Drawing Sheets



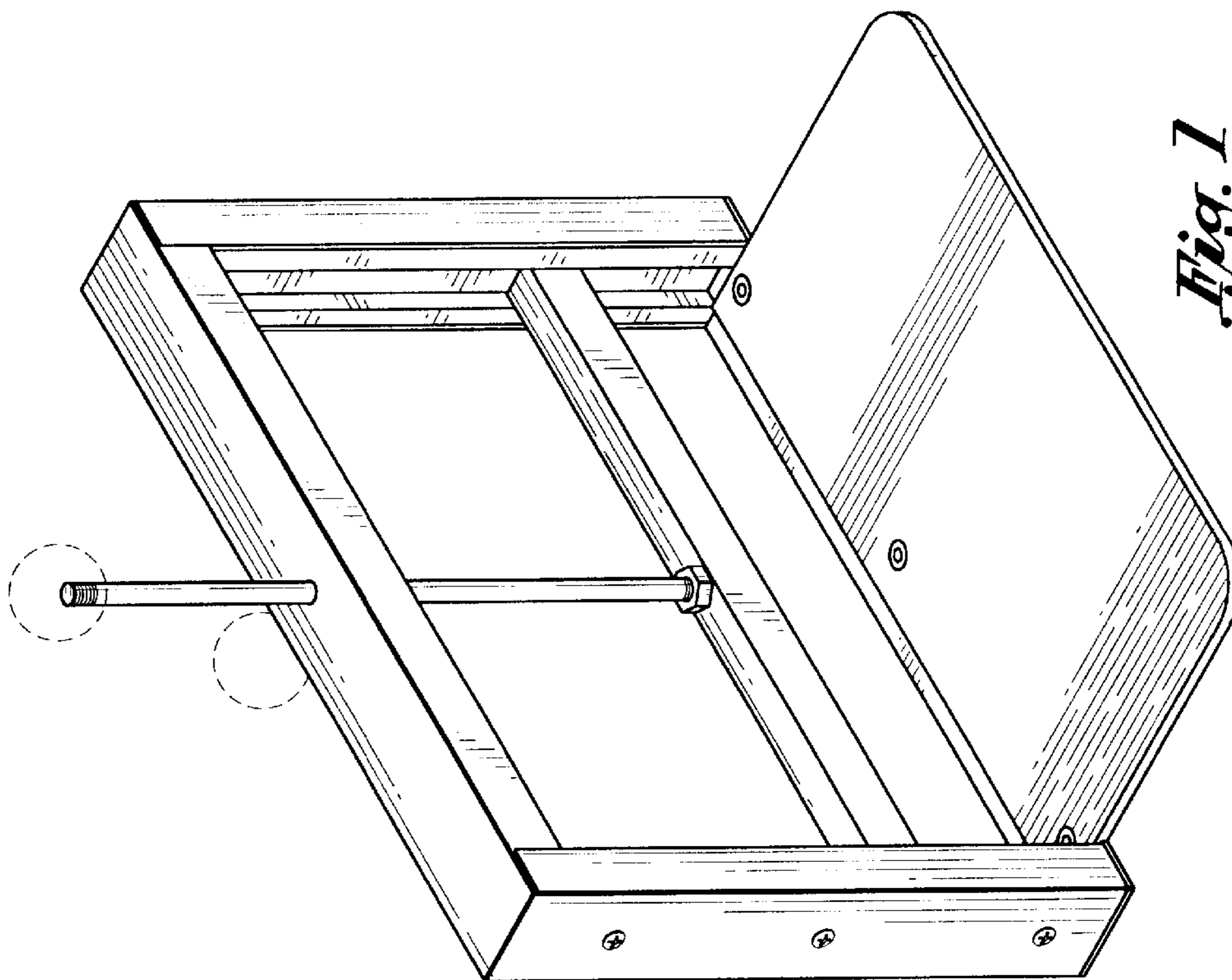
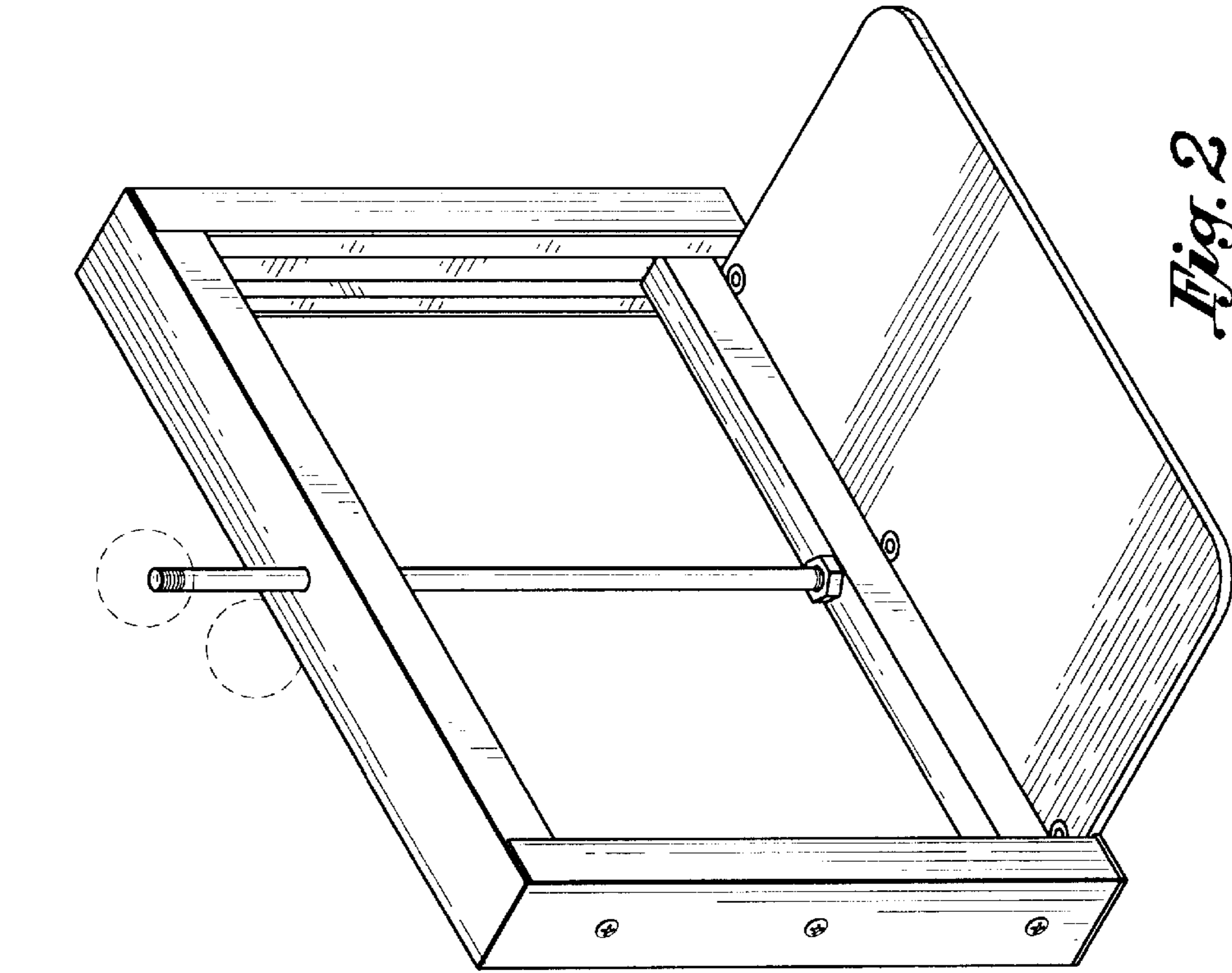


Fig. 3

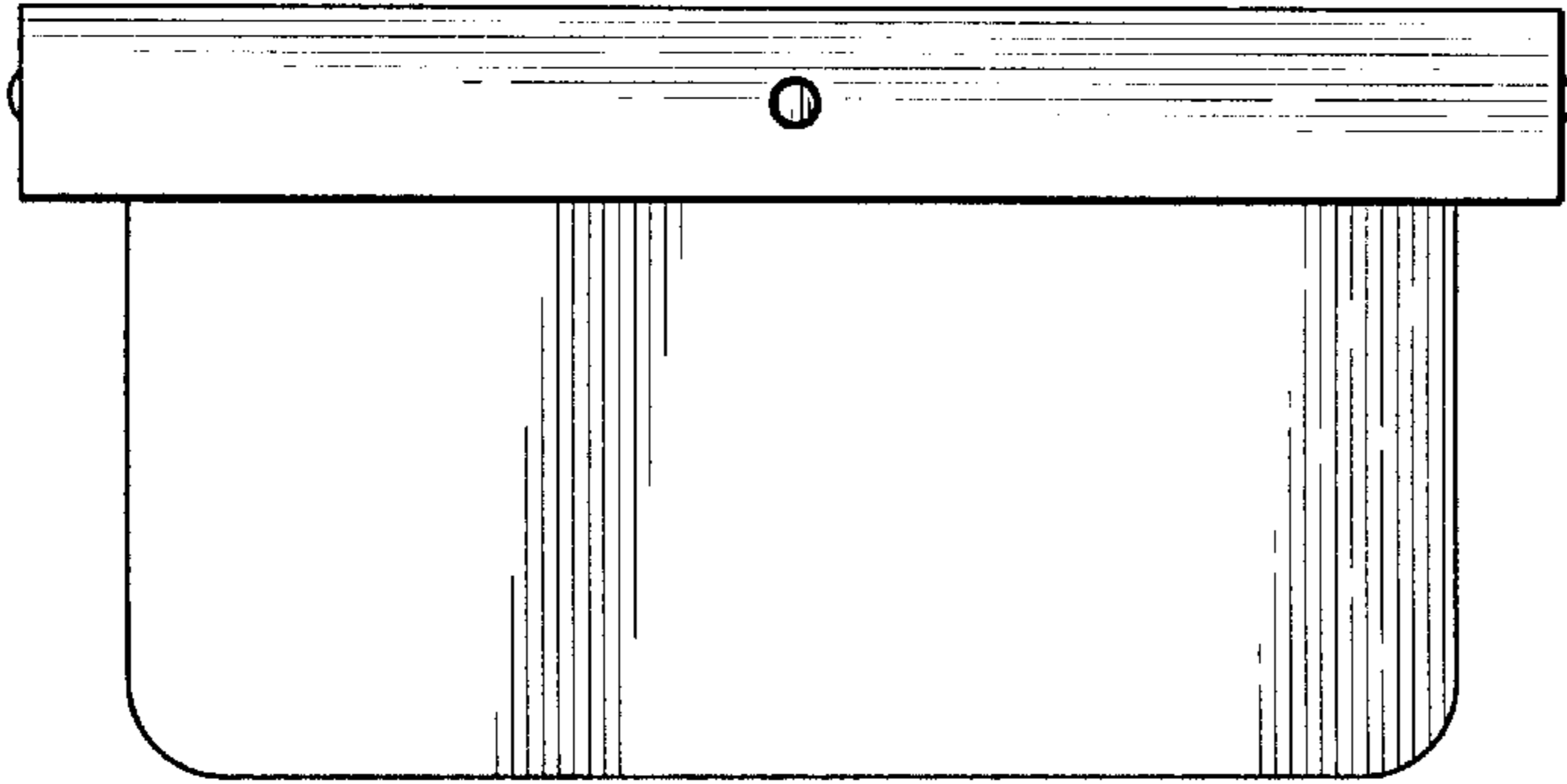


Fig. 4

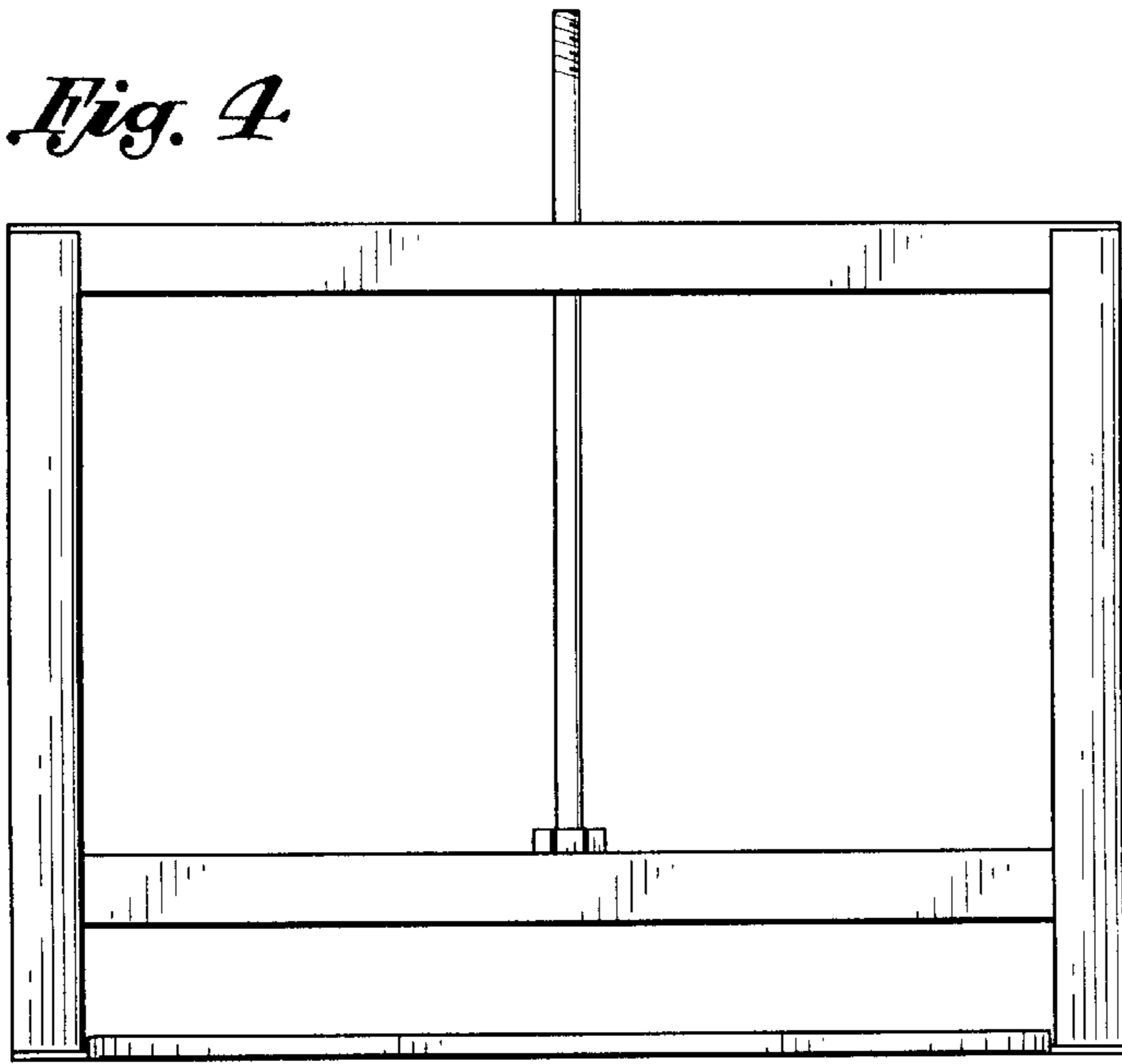


Fig. 5

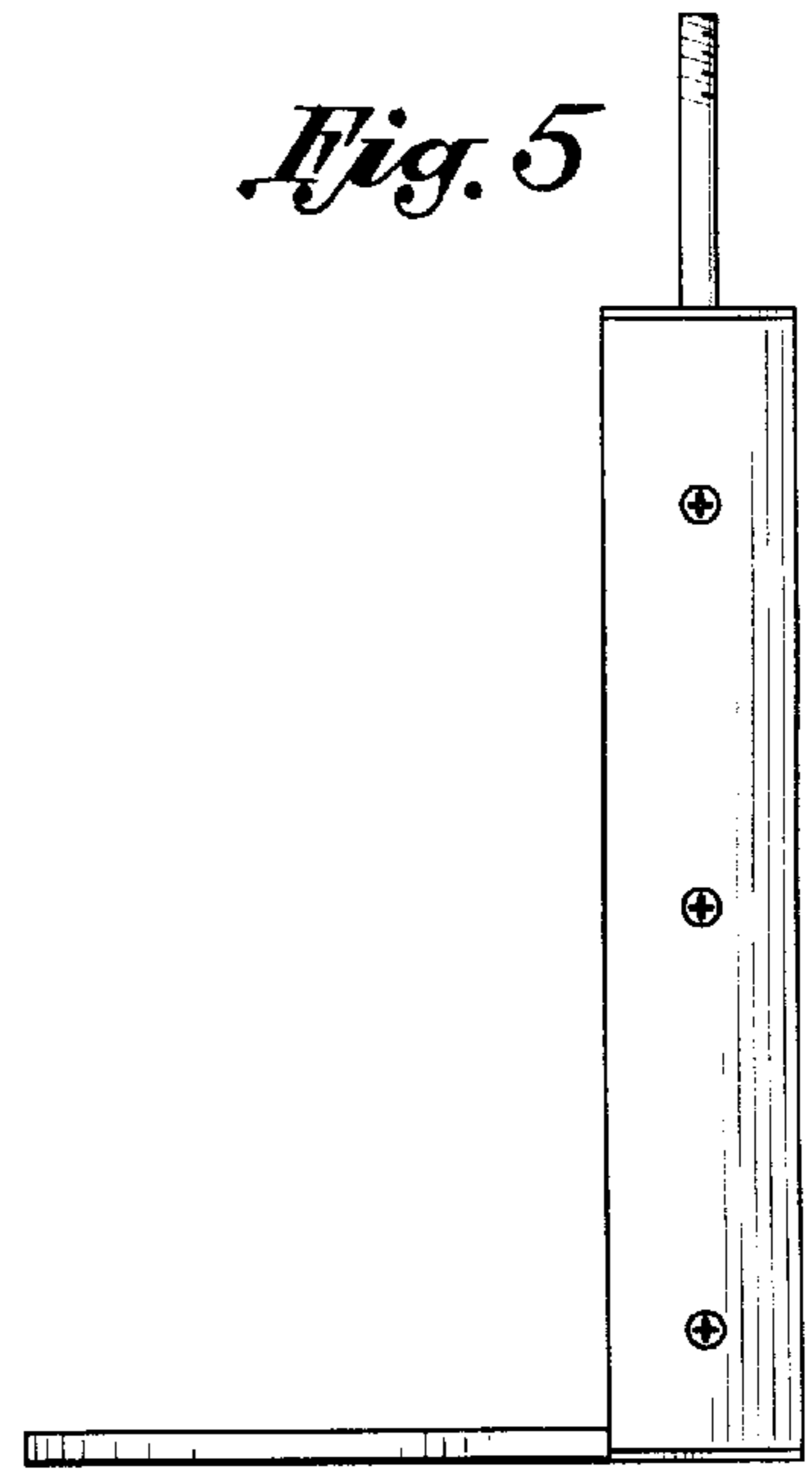


Fig. 6

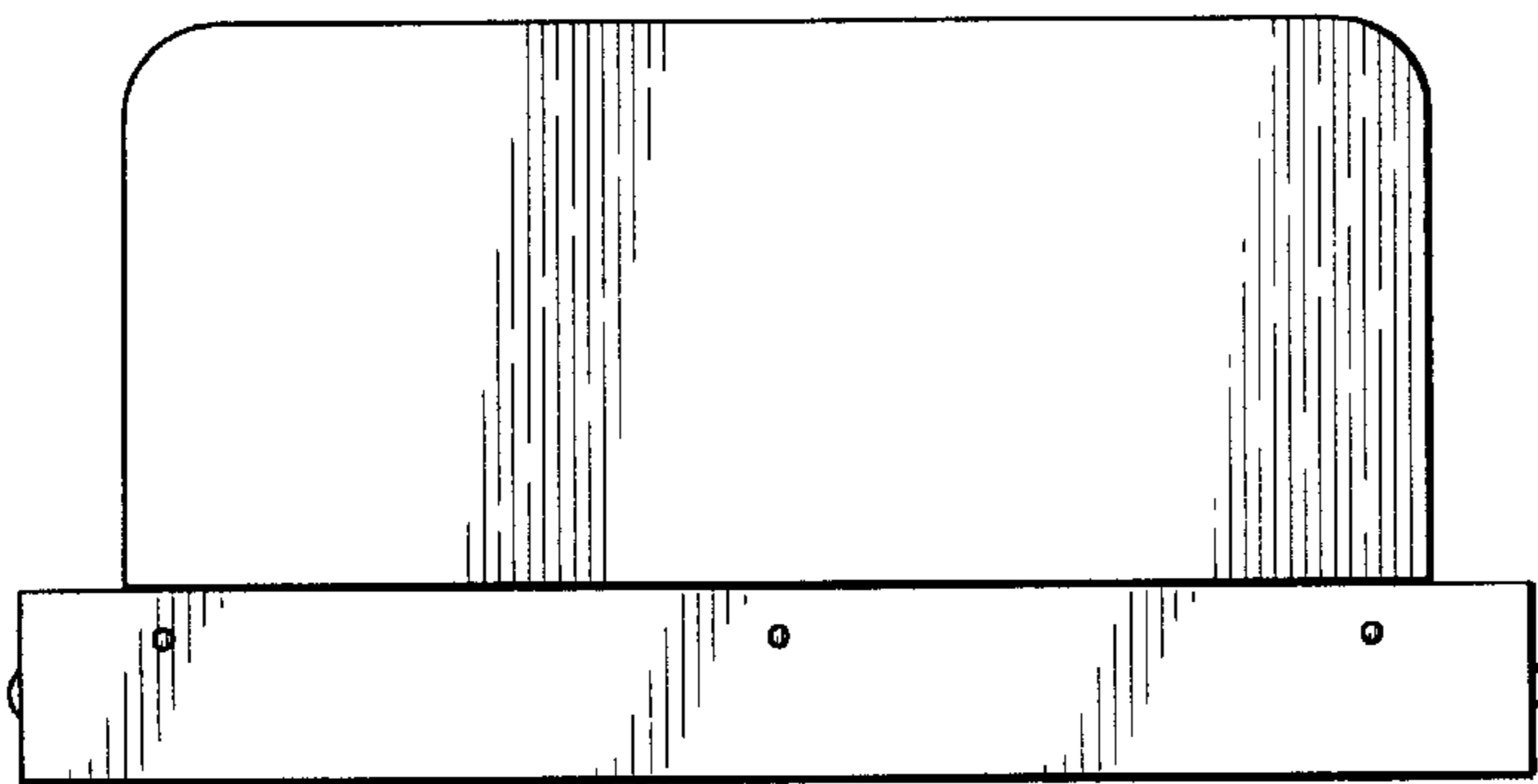


Fig. 7

