



US00D400903S

# United States Patent [19]

Miyagawa et al.

[11] Patent Number: **Des. 400,903**

[45] Date of Patent: **\*\*Nov. 10, 1998**

[54] **LCD PROJECTOR**

[75] Inventors: **Toshihiko Miyagawa; Hideo Miura; Yukihiro Oota; Mikiya Shimizu**, all of Osaka; **Koichi Harada; Naoto Fukasawa**, both of Tokyo, all of Japan

[73] Assignee: **NEC Corporation**, Tokyo, Japan

[\*\*] Term: **14 Years**

[21] Appl. No.: **80,673**

[22] Filed: **Dec. 3, 1997**

[30] **Foreign Application Priority Data**

Jun. 3, 1997 [JP] Japan ..... 9-56659

[51] **LOC (6) Cl.** ..... **16-02**

[52] **U.S. Cl.** ..... **D16/225; D16/221; D16/230**

[58] **Field of Search** ..... **D16/200-205, D16/208, 213, 221, 225, 230, 231, 234; D21/110; D14/128; 352/34, 242, 243; 353/115, 119, 122; 349/5, 7, 8, 9, 58**

[56] **References Cited**

**U.S. PATENT DOCUMENTS**

- D. 331,768 12/1992 Saeki et al. .... D16/225
- D. 343,849 2/1994 Miyahara ..... D16/225
- D. 365,587 12/1995 Saeki et al. .... D16/234

- D. 379,190 5/1997 Takami et al. .... D16/234
- D. 387,795 12/1997 Sakamoto ..... D16/231

**OTHER PUBLICATIONS**

“MultiSync MT600/MT800 LCD Projectors”, NEC brochure, 1996, Japan (6 sheets).  
“ViewLight”, NEC Pamphlet, Jul. 1997.  
Sharp Catalog, p. 7 (T2Z Projector), Aug. 1993.  
Telex User’s Manual, Cover page (MagnaByte P170/170v LCD Projector), 1996.

*Primary Examiner*—Ted Shooman  
*Assistant Examiner*—Adir Aronovich  
*Attorney, Agent, or Firm*—Sughrue, Mion, Zinn, Macpeak & Seas, PLLC

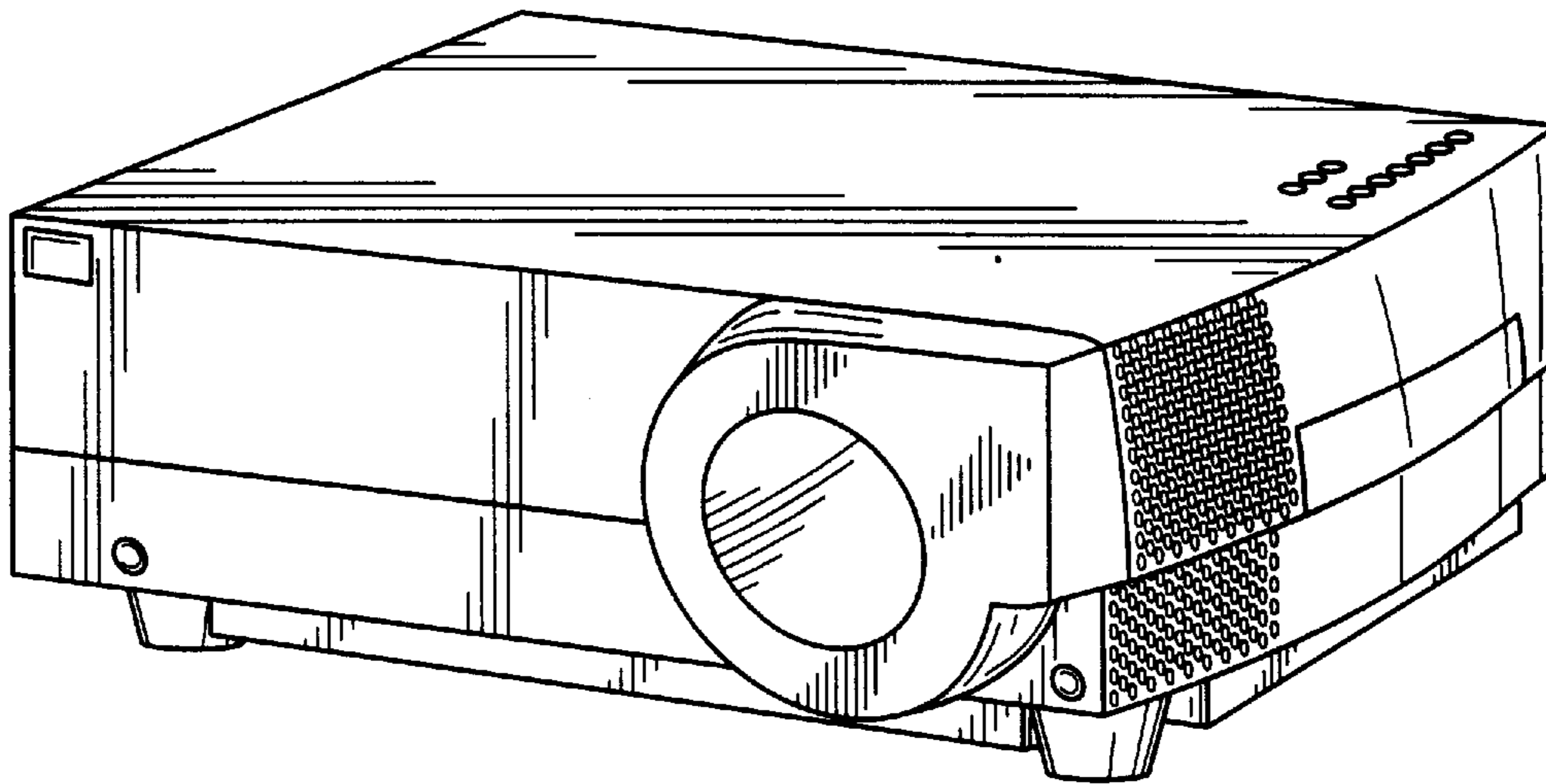
[57] **CLAIM**

The ornamental design for a LCD projector, as shown.

**DESCRIPTION**

FIG. 1 is a perspective view of the front, top and right side of an LCD projector showing our new design; FIG. 2 is a front elevational view thereof; FIG. 3 is a rear elevational view thereof; FIG. 4 is a left side elevational view thereof; FIG. 5 is a right side elevational view thereof; FIG. 6 is a top plan view thereof; and, FIG. 7 is a bottom plan view thereof.

**1 Claim, 4 Drawing Sheets**



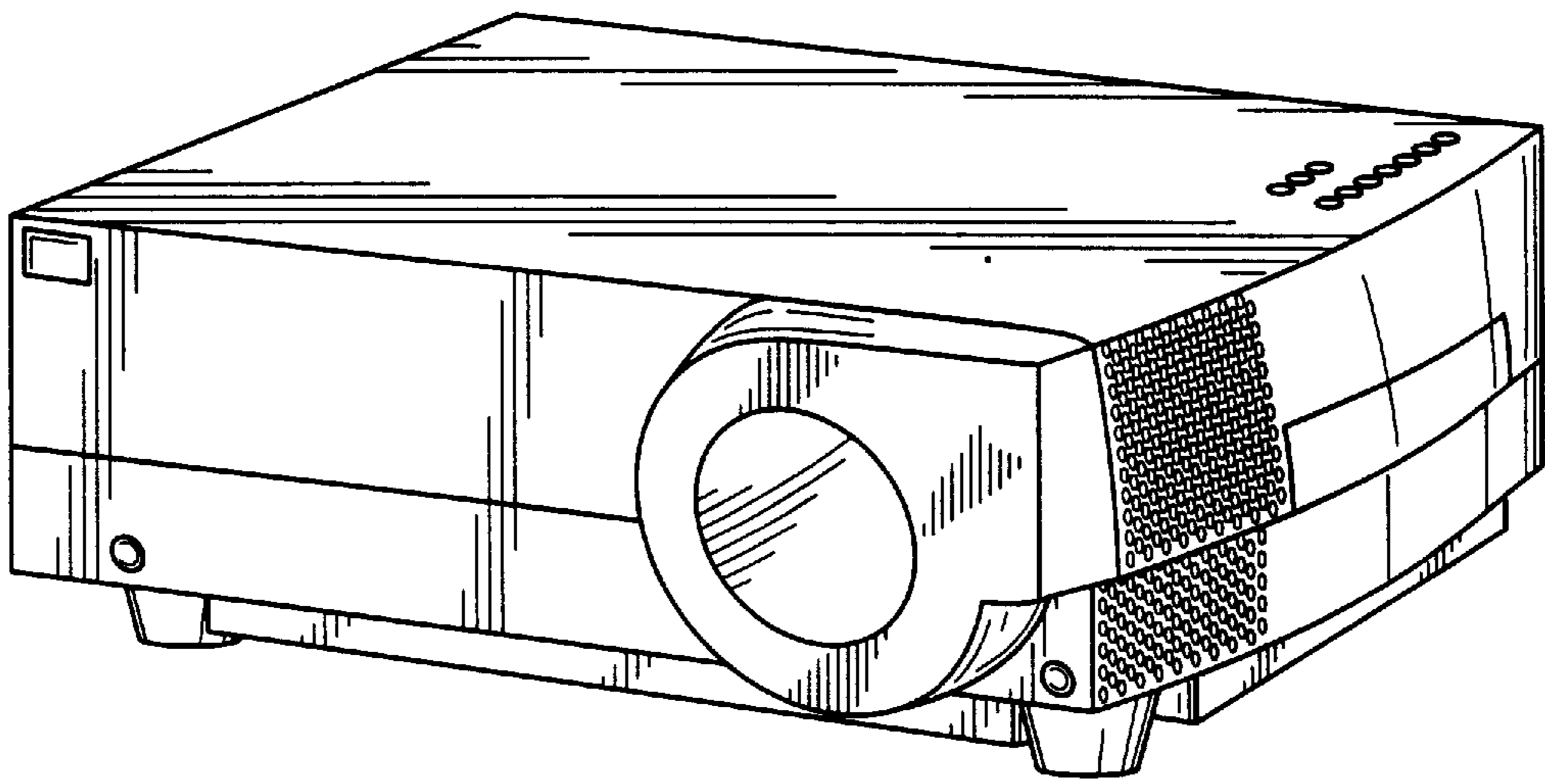


FIG. 1

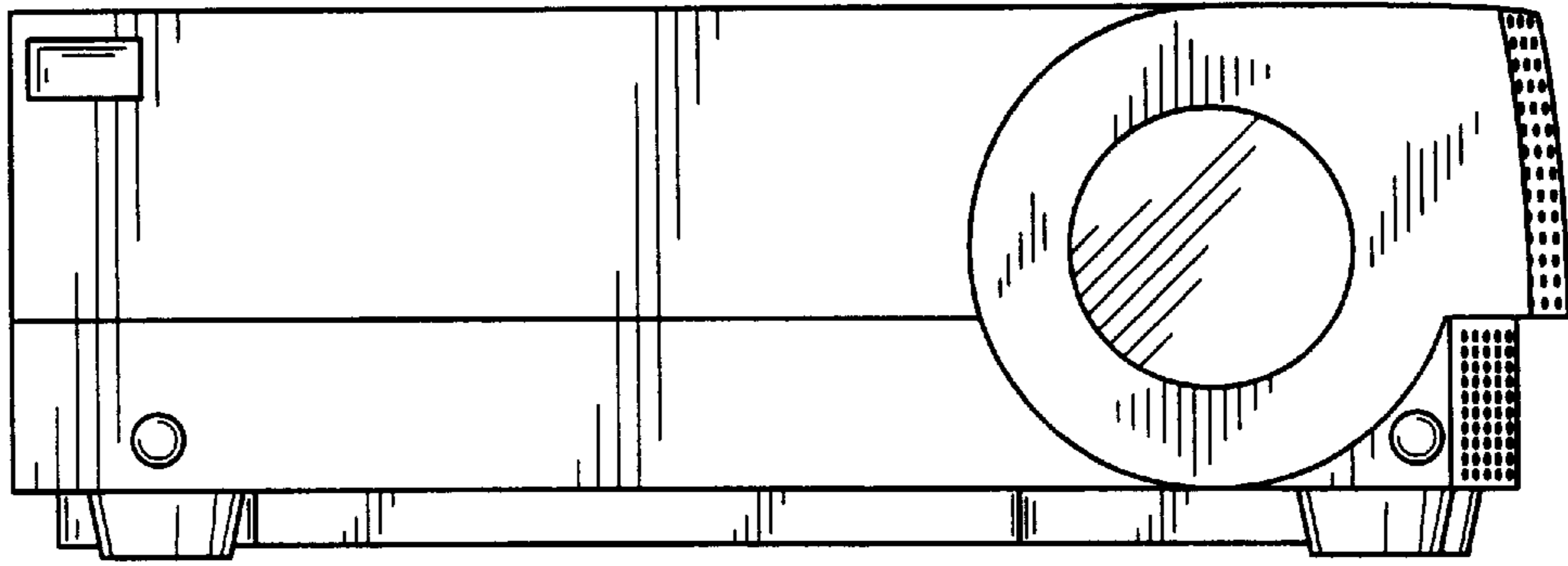


FIG. 2

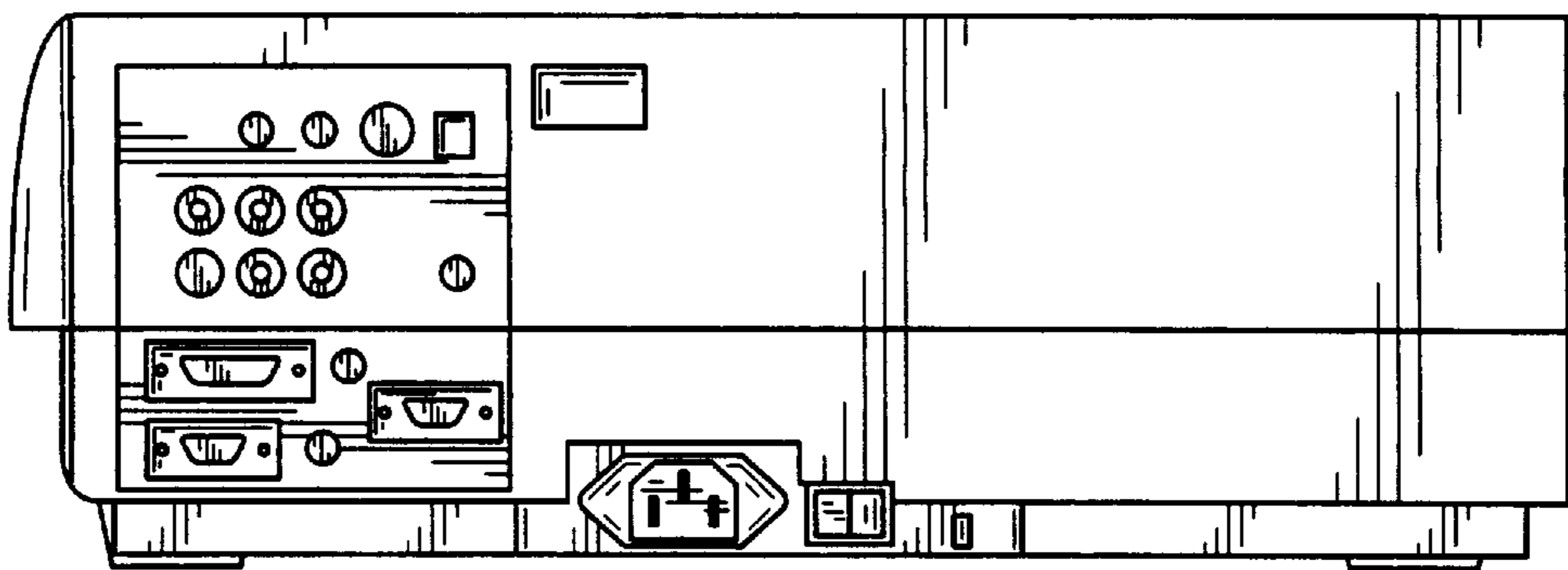


FIG. 3

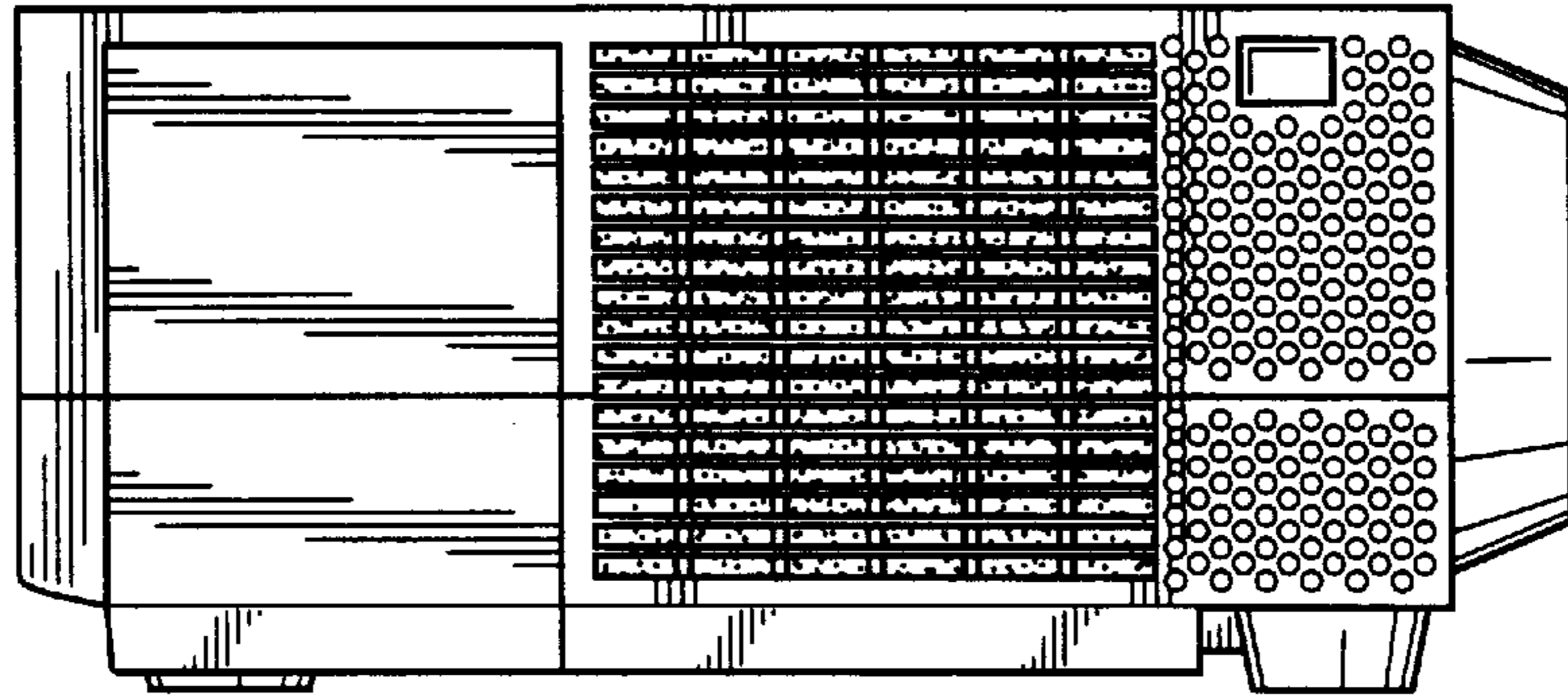


FIG. 4

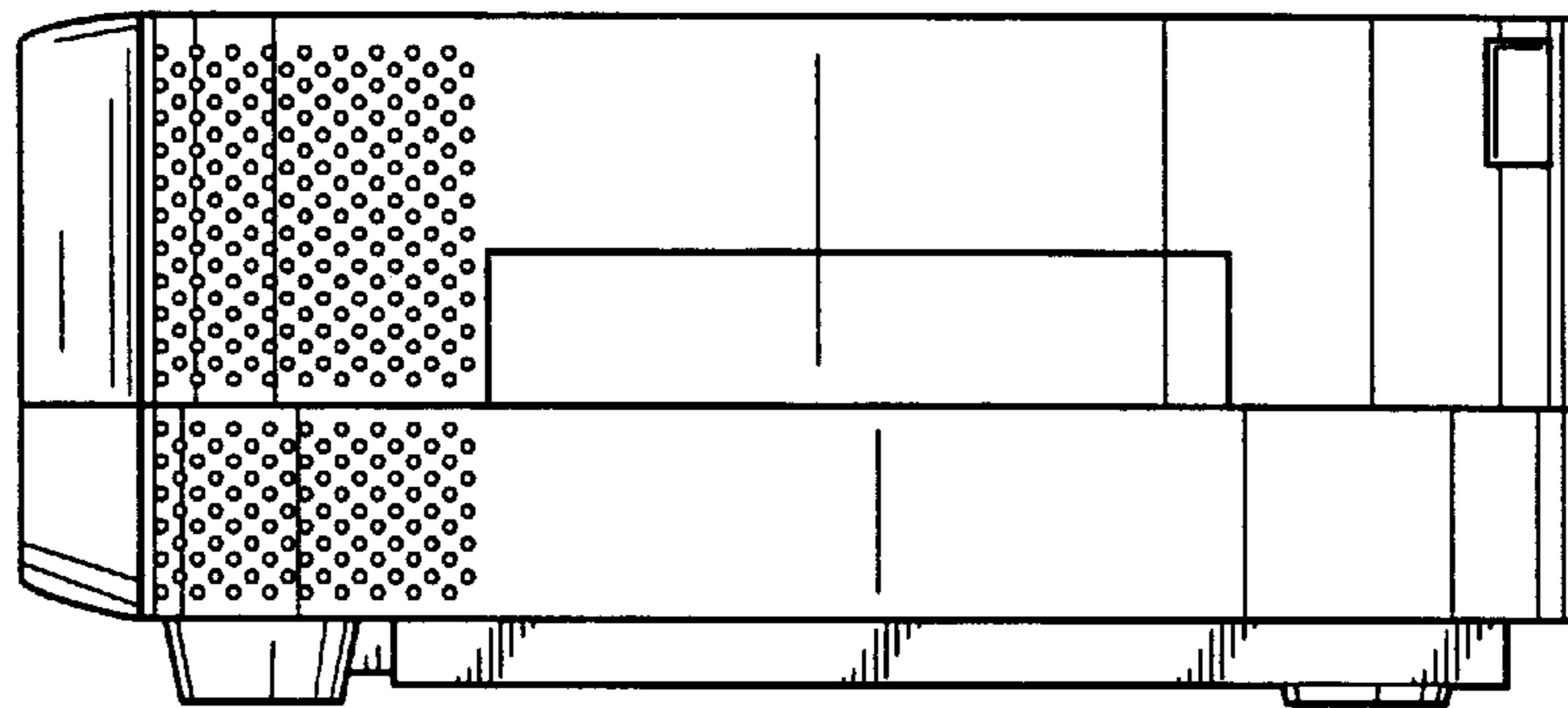


FIG. 5

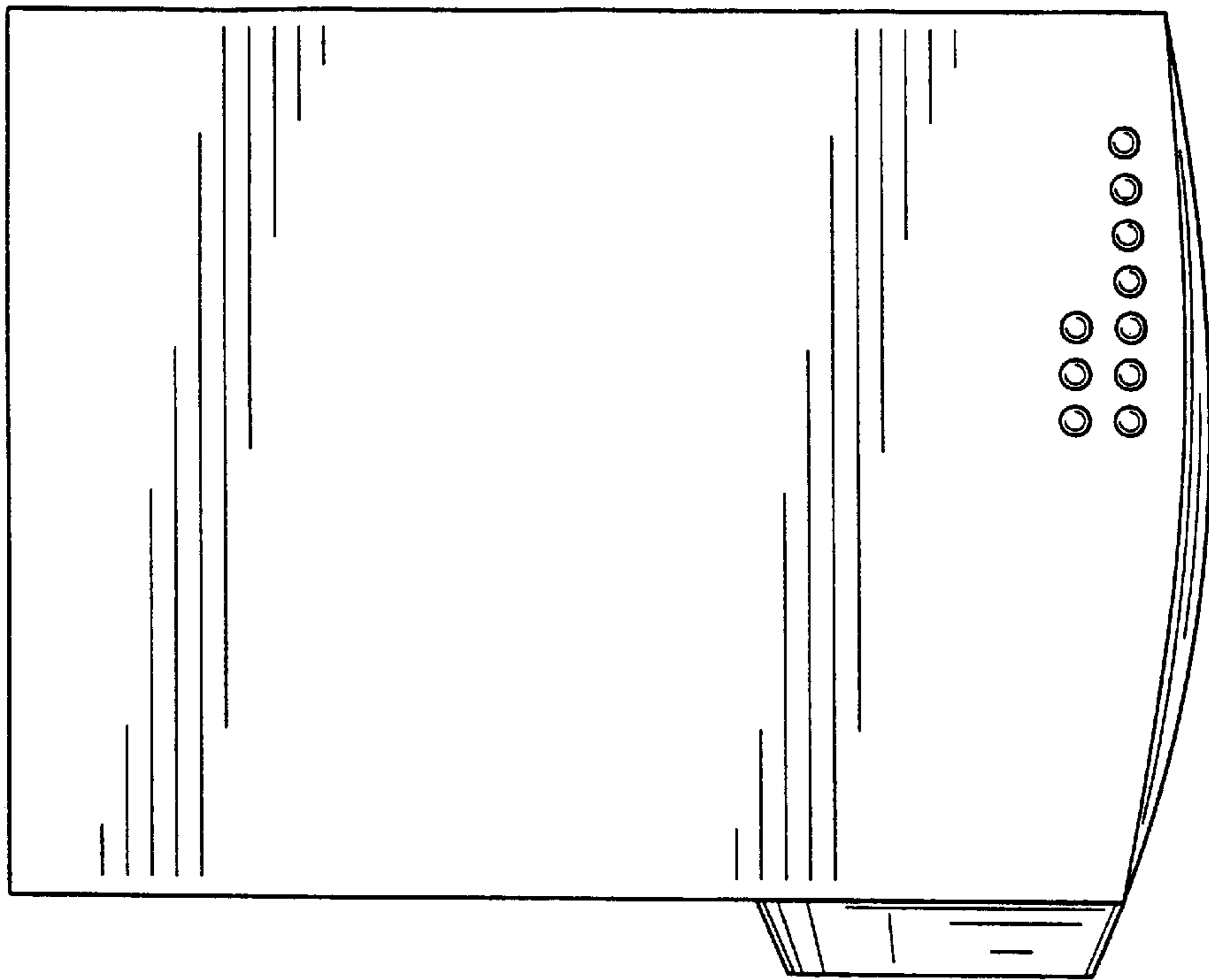


FIG. 6

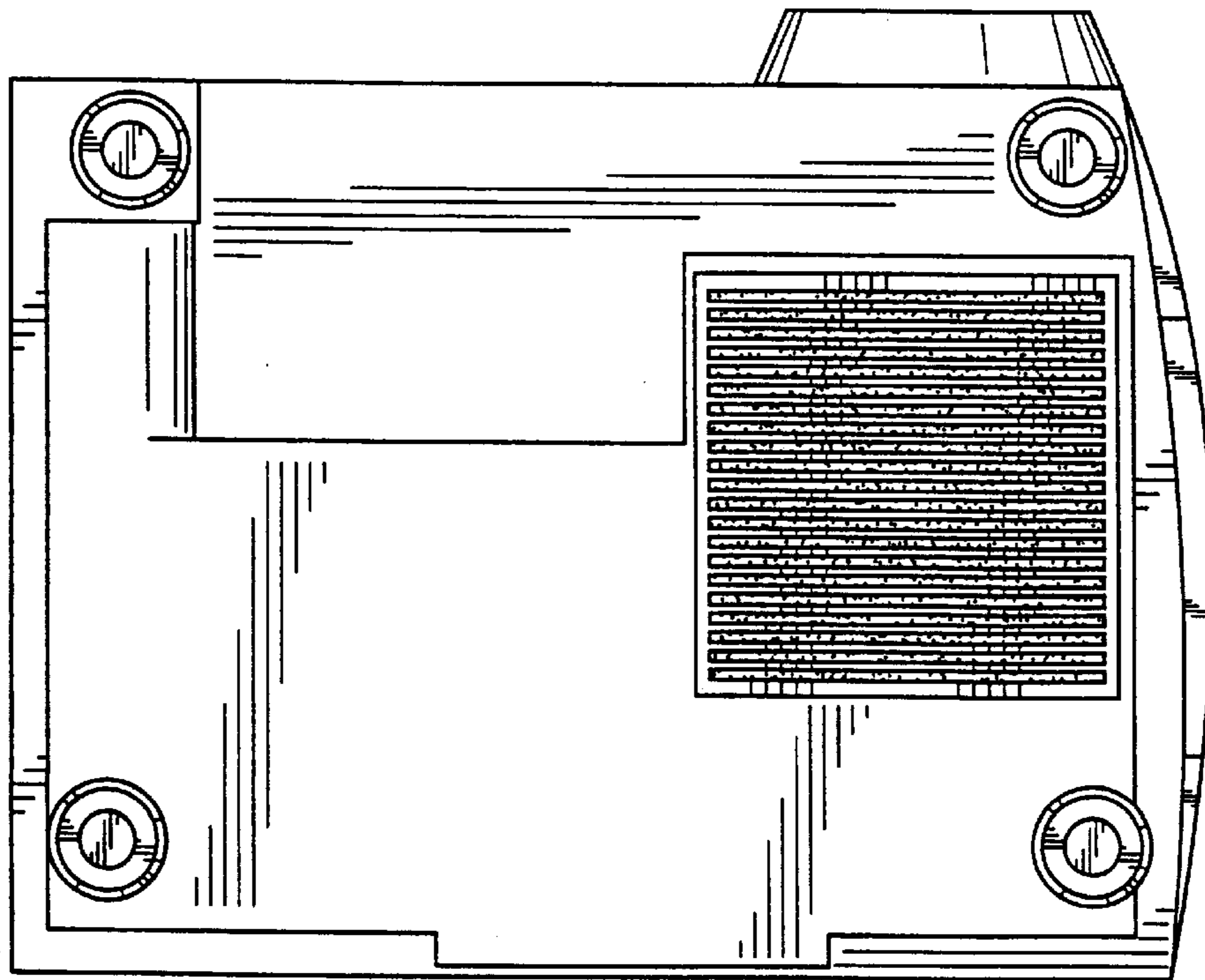


FIG. 7