



US00D400902S

United States Patent [19]

Yamazaki et al.

[11] Patent Number: **Des. 400,902**

[45] Date of Patent: ****Nov. 10, 1998**

[54] **LIQUID CRYSTAL VIDEO PROJECTOR**

2,916,964 12/1959 Paulsohn 353/115

[75] Inventors: **Satoshi Yamazaki; Ryo Kodama**, both of Kanagawa, Japan

[73] Assignee: **Mitsubishi Denki Kabushiki Kaisha**, Tokyo, Japan

[**] Term: **14 Years**

[21] Appl. No.: **79,670**

[22] Filed: **Nov. 20, 1997**

[30] **Foreign Application Priority Data**

Jun. 3, 1997 [JP] Japan 9-56680

[51] **LOC (6) Cl.** **16-02**

[52] **U.S. Cl.** **D16/225; D16/221; D16/234**

[58] **Field of Search** D16/200-205, D16/208, 213, 221, 225, 230, 231, 234; D21/110; 352/34, 242, 243; 353/115, 119, 122; 349/5, 7, 8, 9, 58

[56] **References Cited**

U.S. PATENT DOCUMENTS

- D. 350,106 8/1994 Ina D16/234
- D. 371,148 6/1996 Kobayashi D16/221
- D. 388,111 12/1997 Iida D16/231
- D. 391,592 3/1998 Sakamoto et al. D16/231
- D. 392,302 3/1998 Oota et al. D16/221

OTHER PUBLICATIONS

“Vista Pro”, catalogue of Video Projector by Nissho Electronics Co., Ltd. (Admitted Prior Art).

Primary Examiner—Ted Shooman
Assistant Examiner—Adir Aronovich
Attorney, Agent, or Firm—Oblon, Spivak, McClelland, Maier & Neustadt, P.C.

[57] **CLAIM**

The ornamental design for a liquid crystal video projector, as shown and described.

DESCRIPTION

FIG. 1 is a front elevational view of a liquid crystal video projector, showing our new design;
 FIG. 2 is a rear elevational view thereof;
 FIG. 3 is a left side elevational view thereof;
 FIG. 4 is a right side elevational view thereof;
 FIG. 5 is a top plan view thereof;
 FIG. 6 is a bottom plan view thereof;
 FIG. 7 is a front, top and right side perspective view thereof with the handle extended;
 FIG. 8 is a cross-sectional view thereof, taken along line 8—8 in FIG. 1, with the internal system omitted; and,
 FIG. 9 is a cross-sectional view thereof, taken along line 9—9 in FIG. 3, with the internal system omitted.

1 Claim, 5 Drawing Sheets

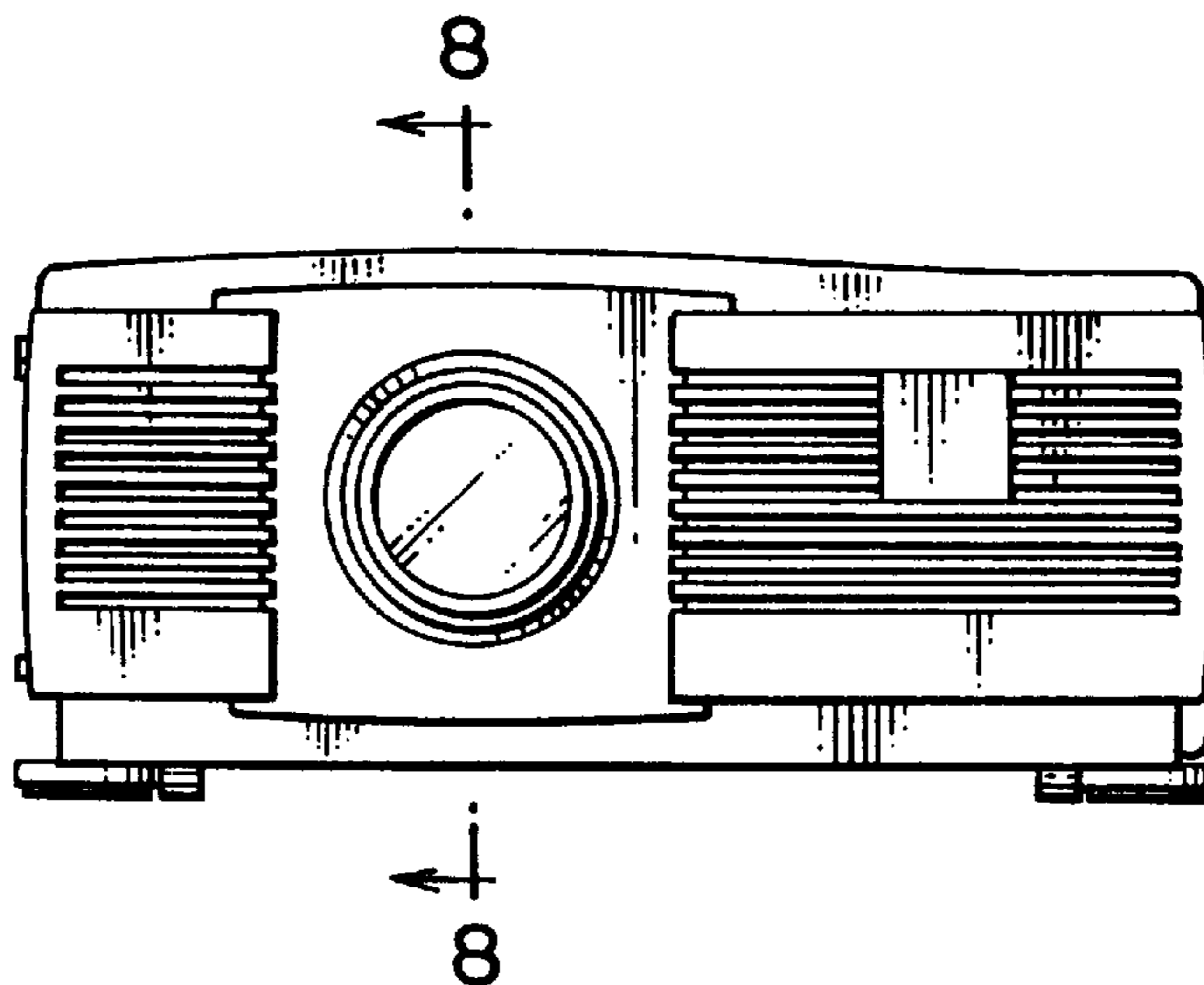


FIG. 1

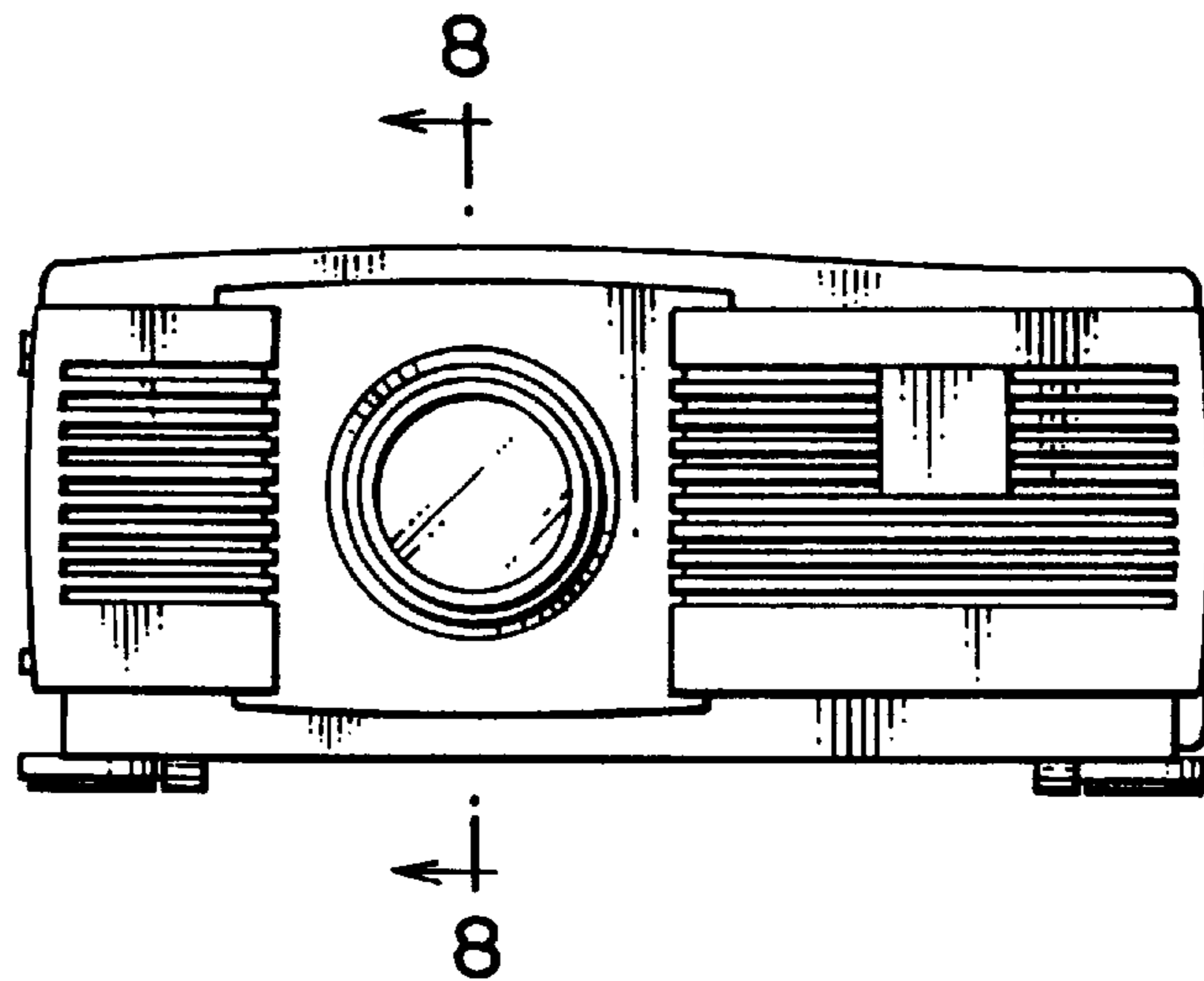


FIG. 2

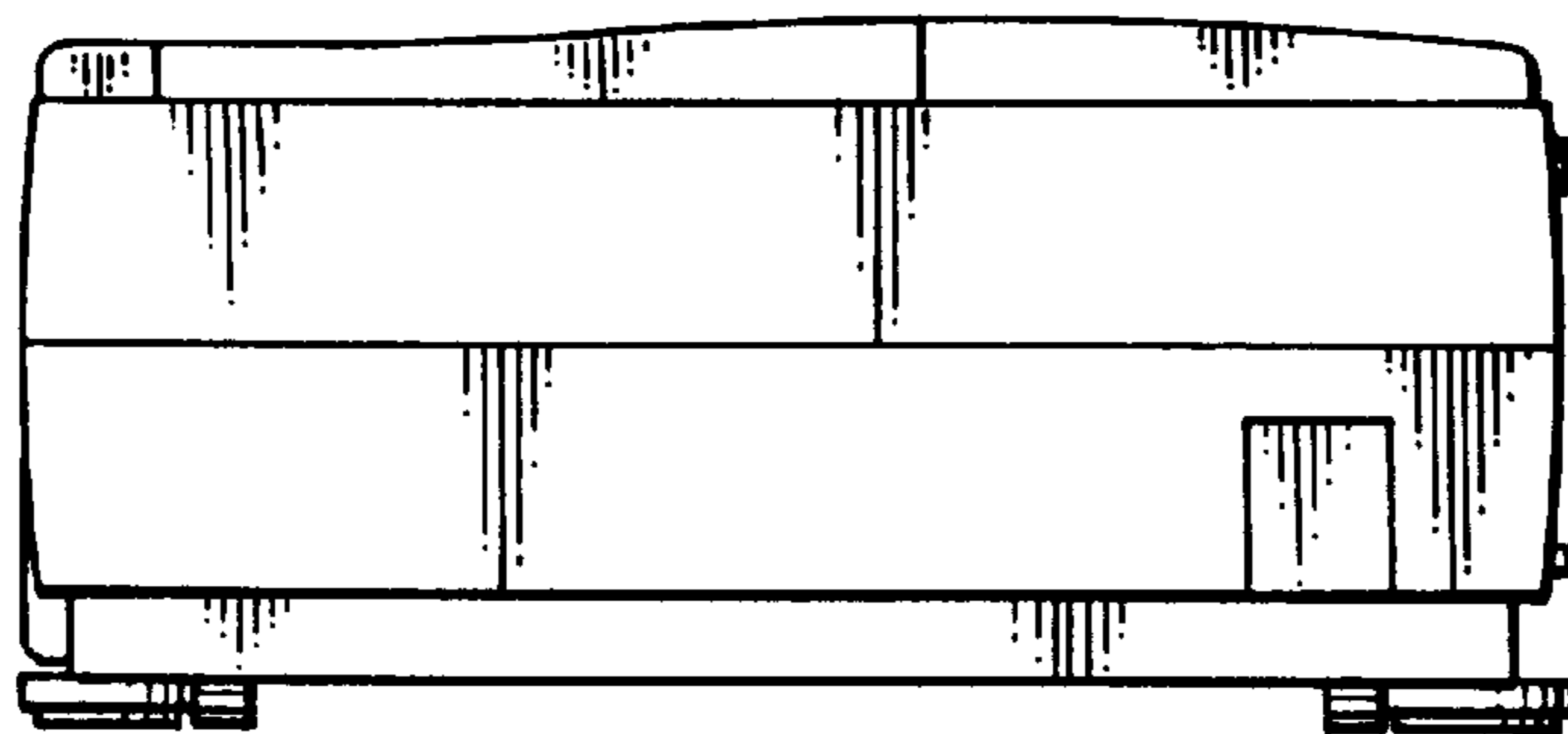


FIG. 3

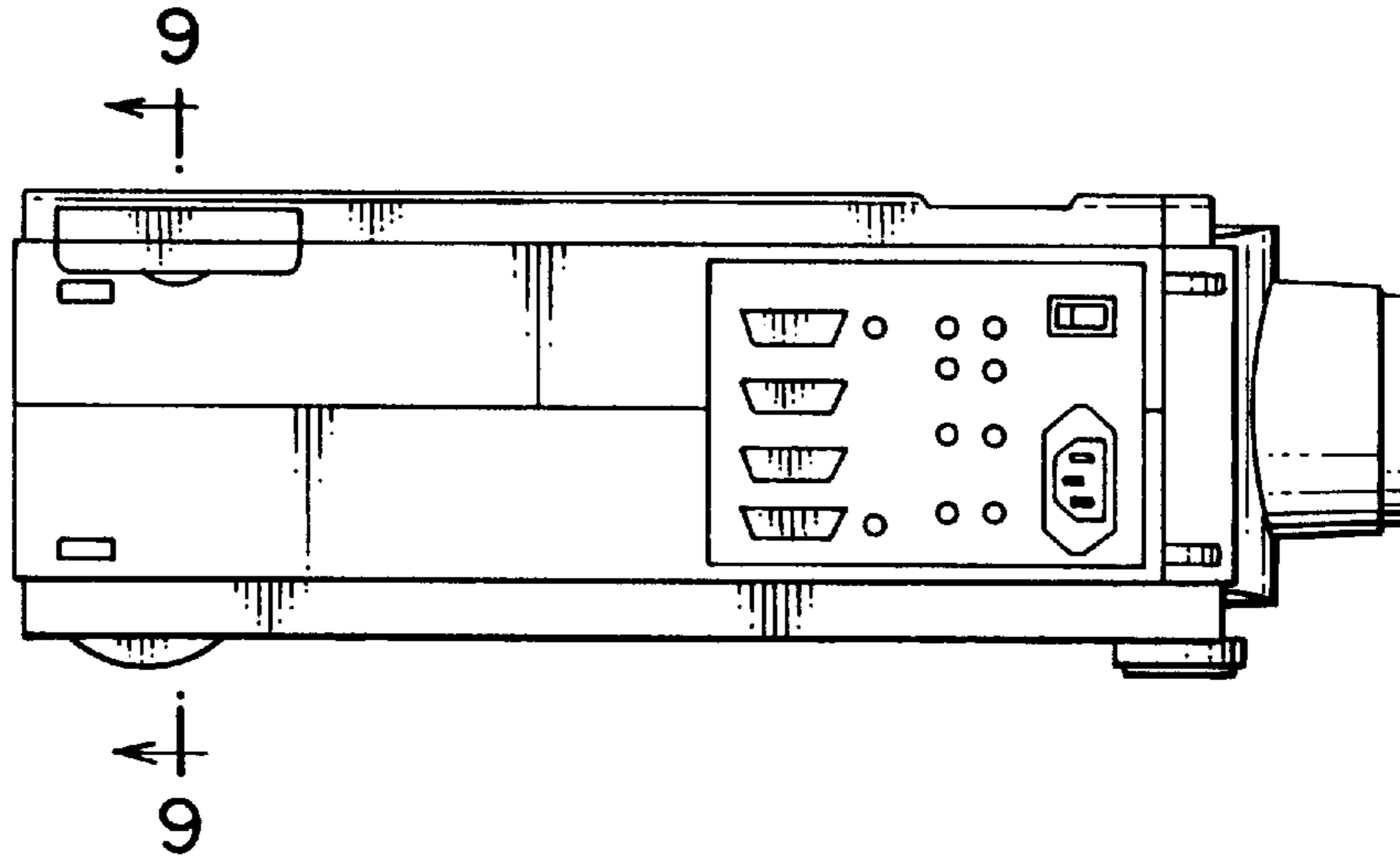


FIG. 4

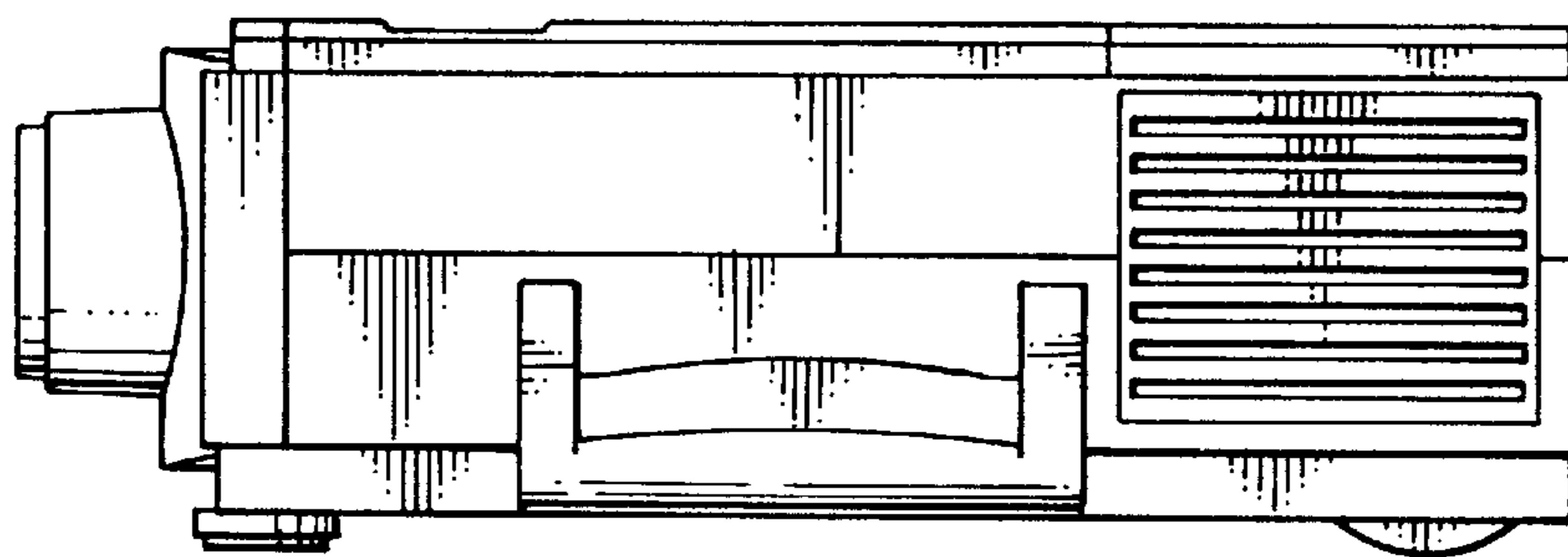


FIG. 5

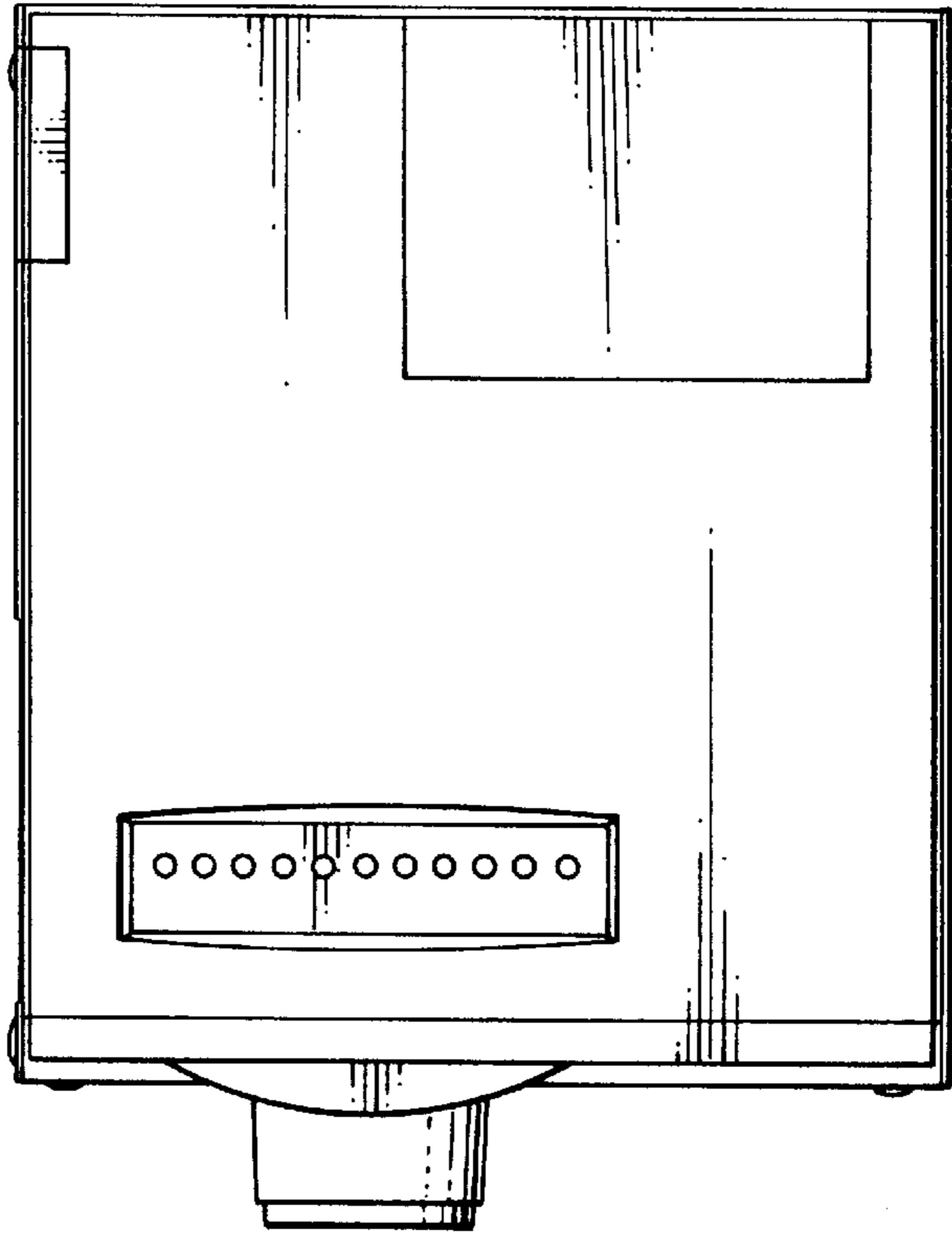


FIG. 6

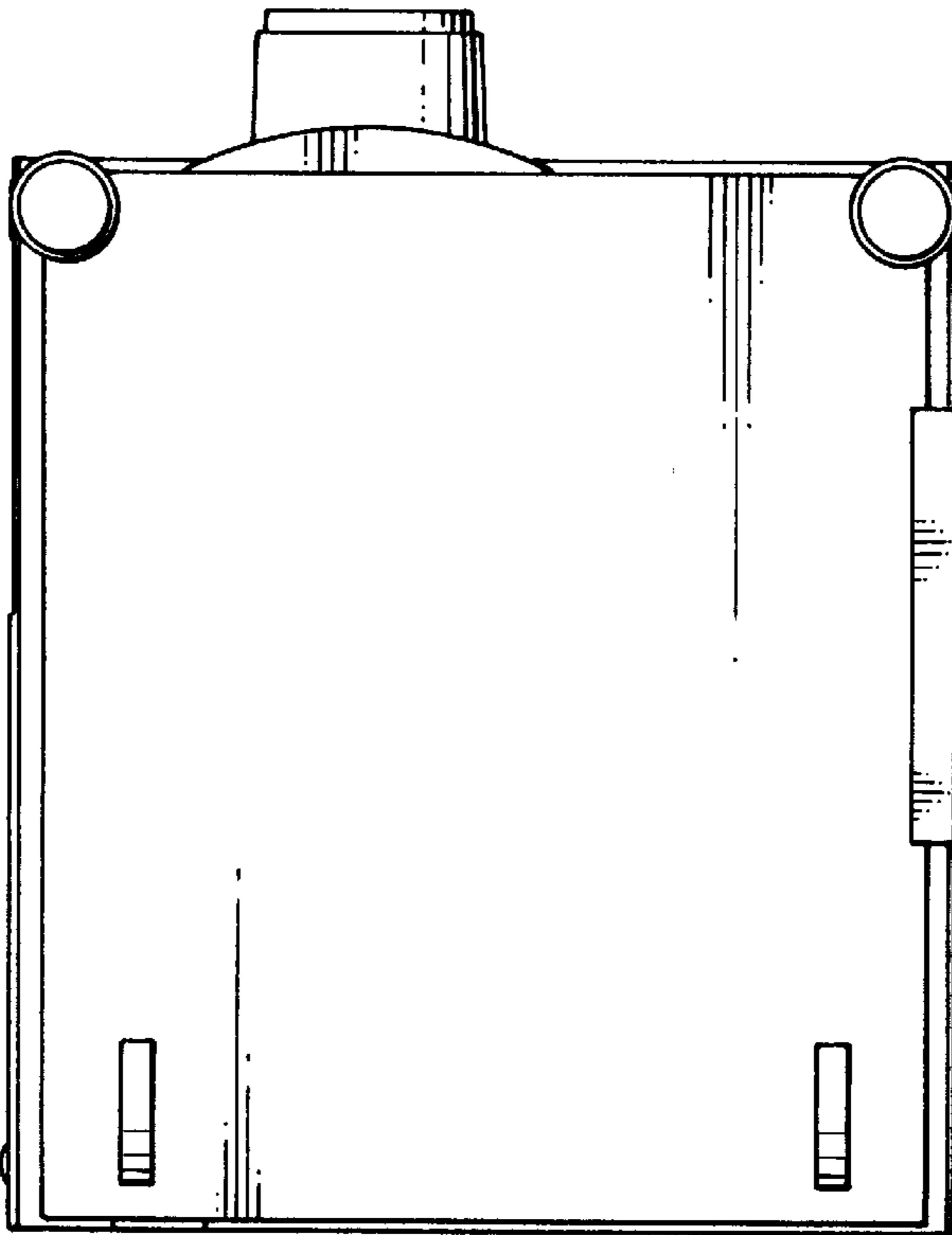


FIG. 7

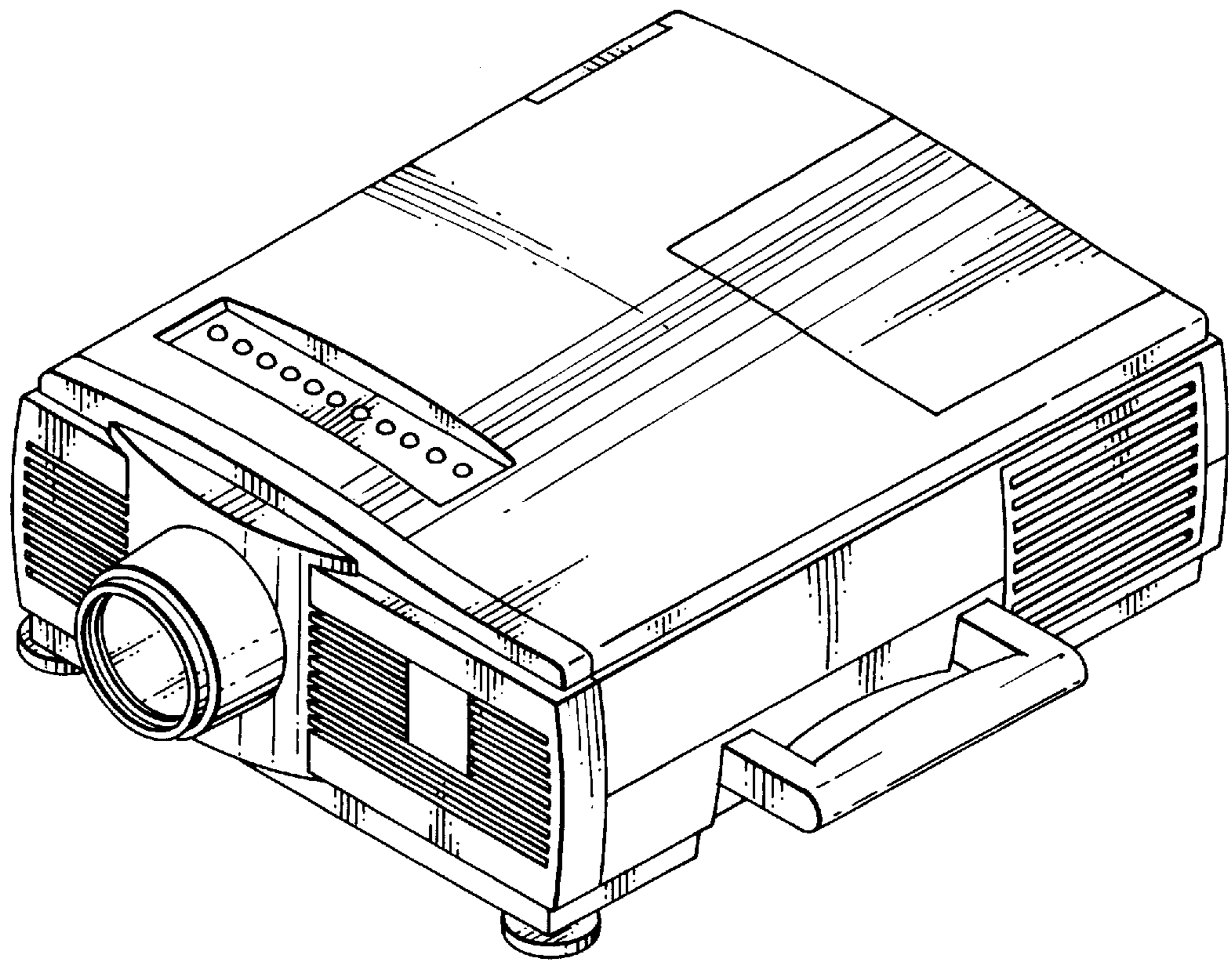


FIG. 8

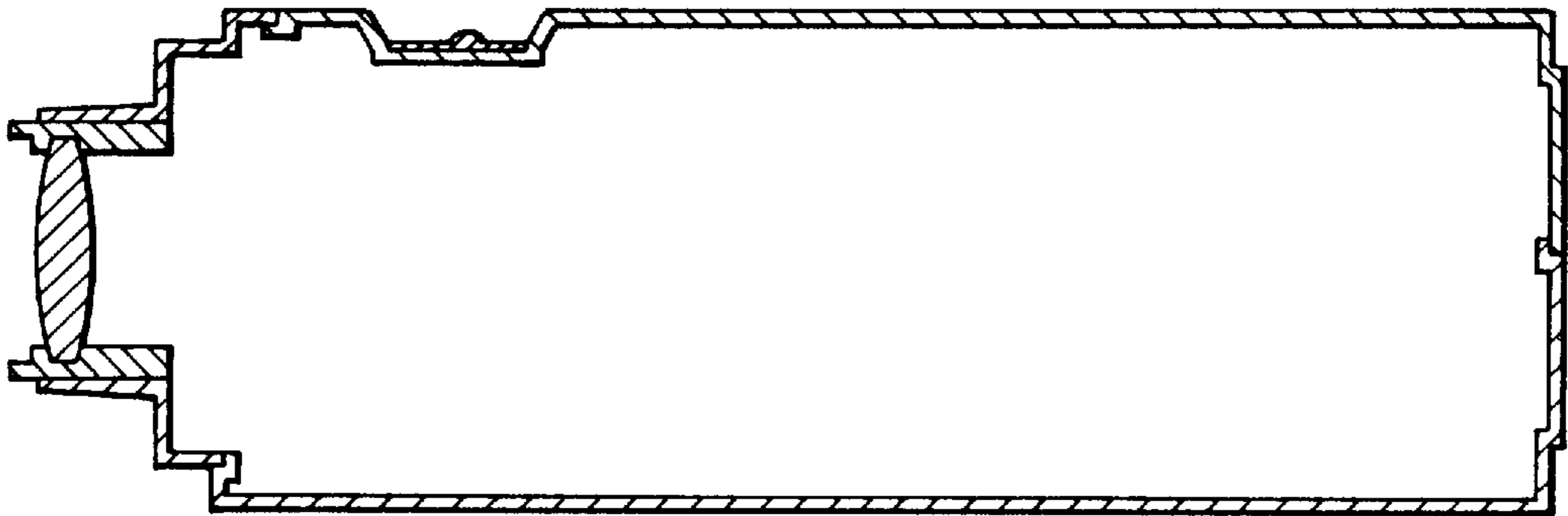


FIG. 9

