



US00D400897S

United States Patent [19]
Huang-Sung

[11] **Patent Number: Des. 400,897**
[45] **Date of Patent: **Nov. 10, 1998**

[54] **SCROLL SAWING MACHINE**
[76] Inventor: **Shan-Yin Huang-Sung**, 58, Ma Yuan
West St., Taichung, Taiwan
[**] Term: **14 Years**
[21] Appl. No.: **77,361**
[22] Filed: **Aug. 28, 1997**
[51] **LOC (6) Cl. 15-09**
[52] **U.S. Cl. D15/133**
[58] **Field of Search D15/133; 83/662,**
83/782-786

5,540,130 7/1996 Huang et al. 83/781

Primary Examiner—Antoine Duval Davis

[57] **CLAIM**

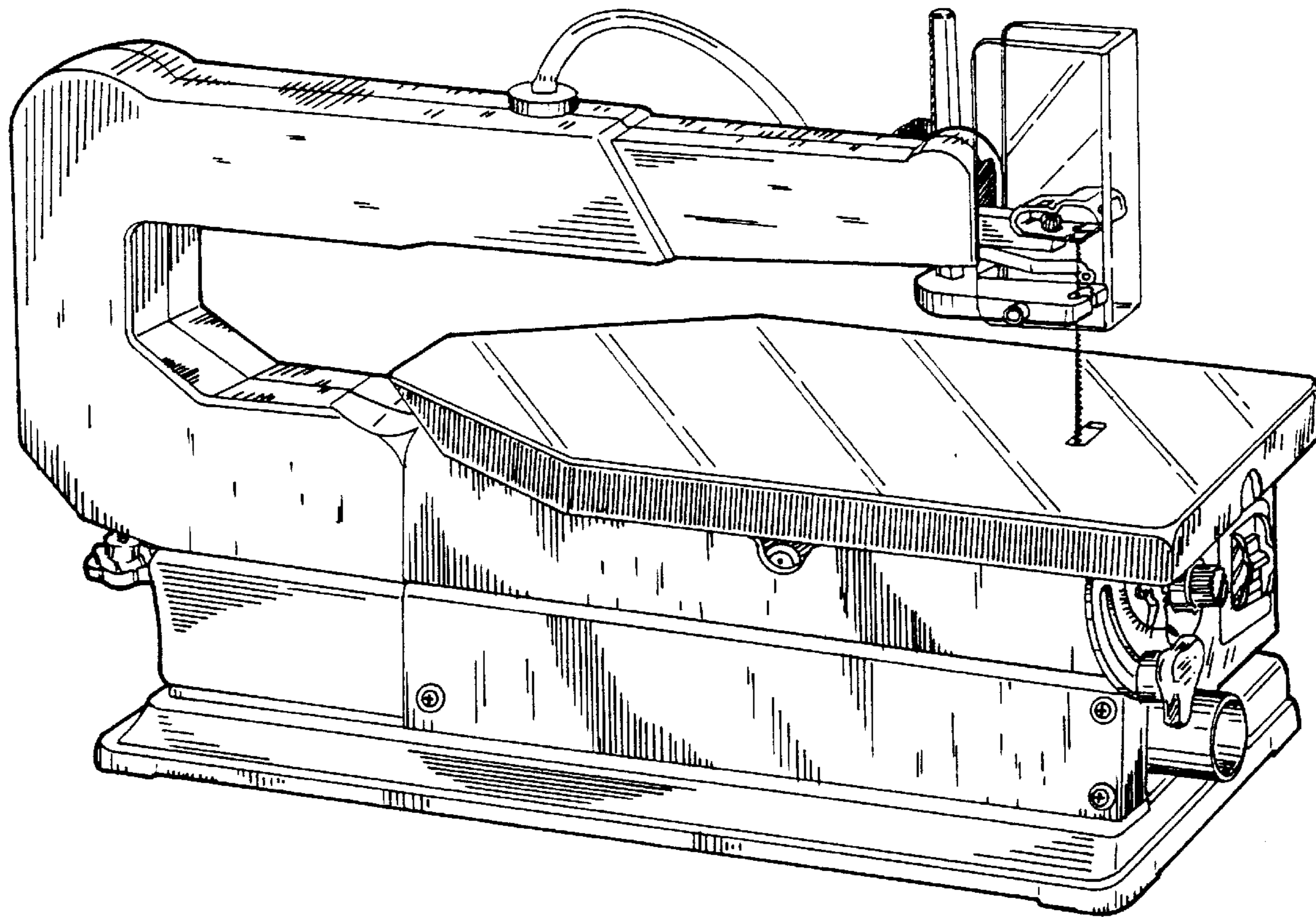
The ornamental design for a scroll sawing machine, as shown and described.

DESCRIPTION

FIG. 1 is a front elevational view of a scroll sawing machine showing my design;
FIG. 2 is a rear side elevational view thereof;
FIG. 3 is a left side elevational view thereof;
FIG. 4 is a right side elevational view thereof;
FIG. 5 is a top plan view thereof;
FIG. 6 is a bottom plan view thereof; and,
FIG. 7 is a perspective view thereof.

[56] **References Cited**
U.S. PATENT DOCUMENTS
4,841,823 6/1989 Brundage 83/781
4,949,616 8/1990 Chang 83/781 X

1 Claim, 7 Drawing Sheets



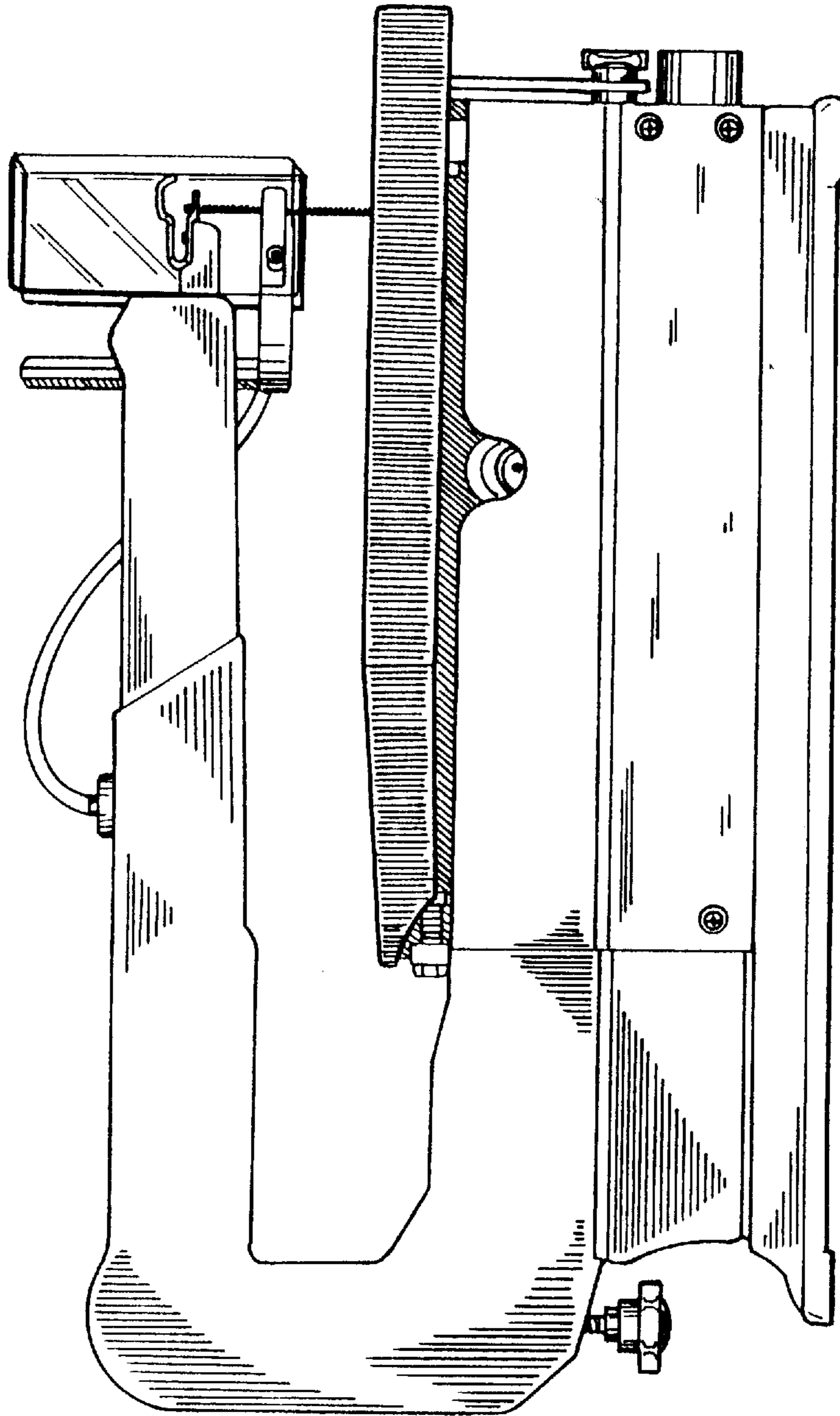


FIG. 1

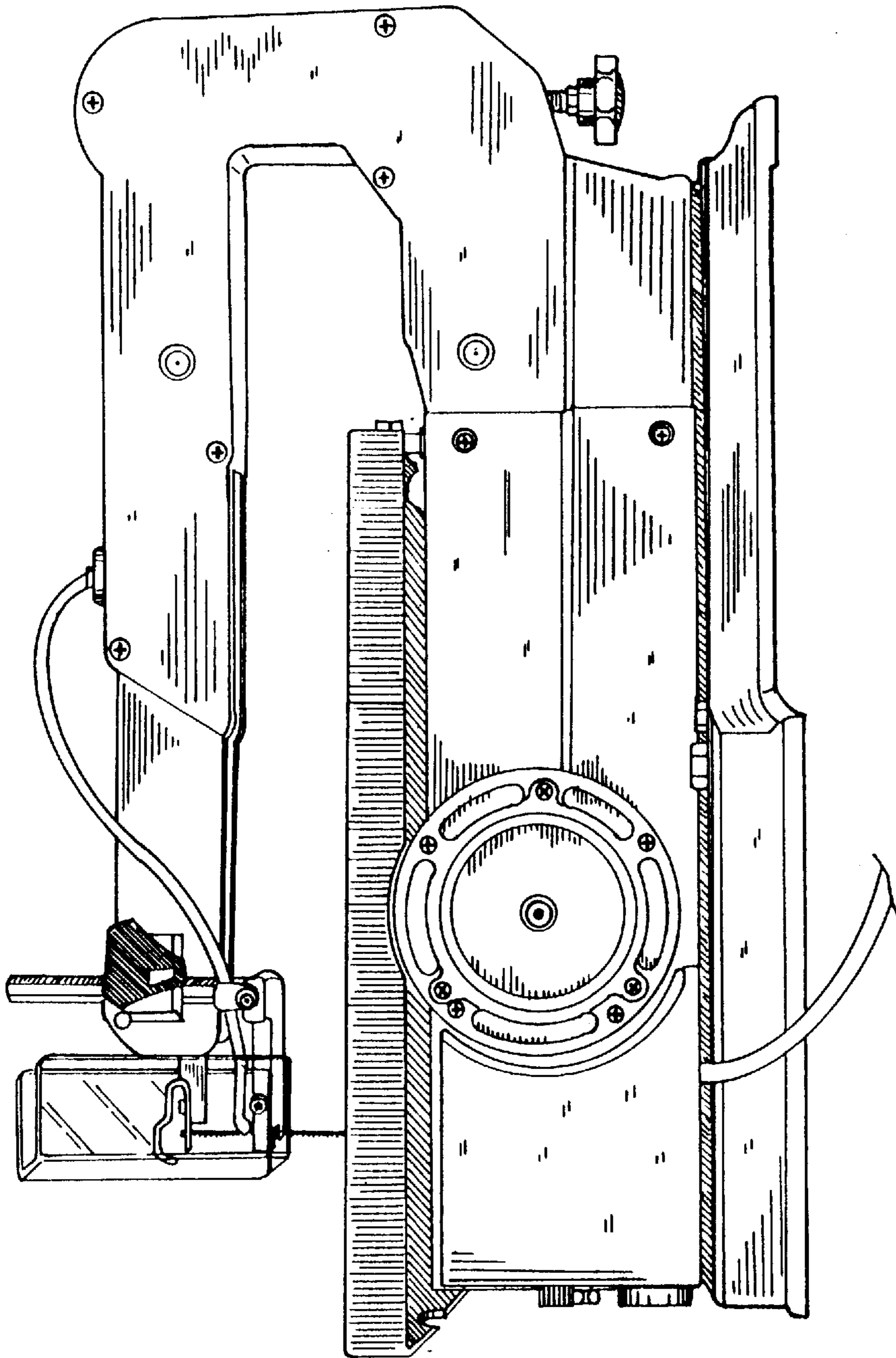


FIG. 2

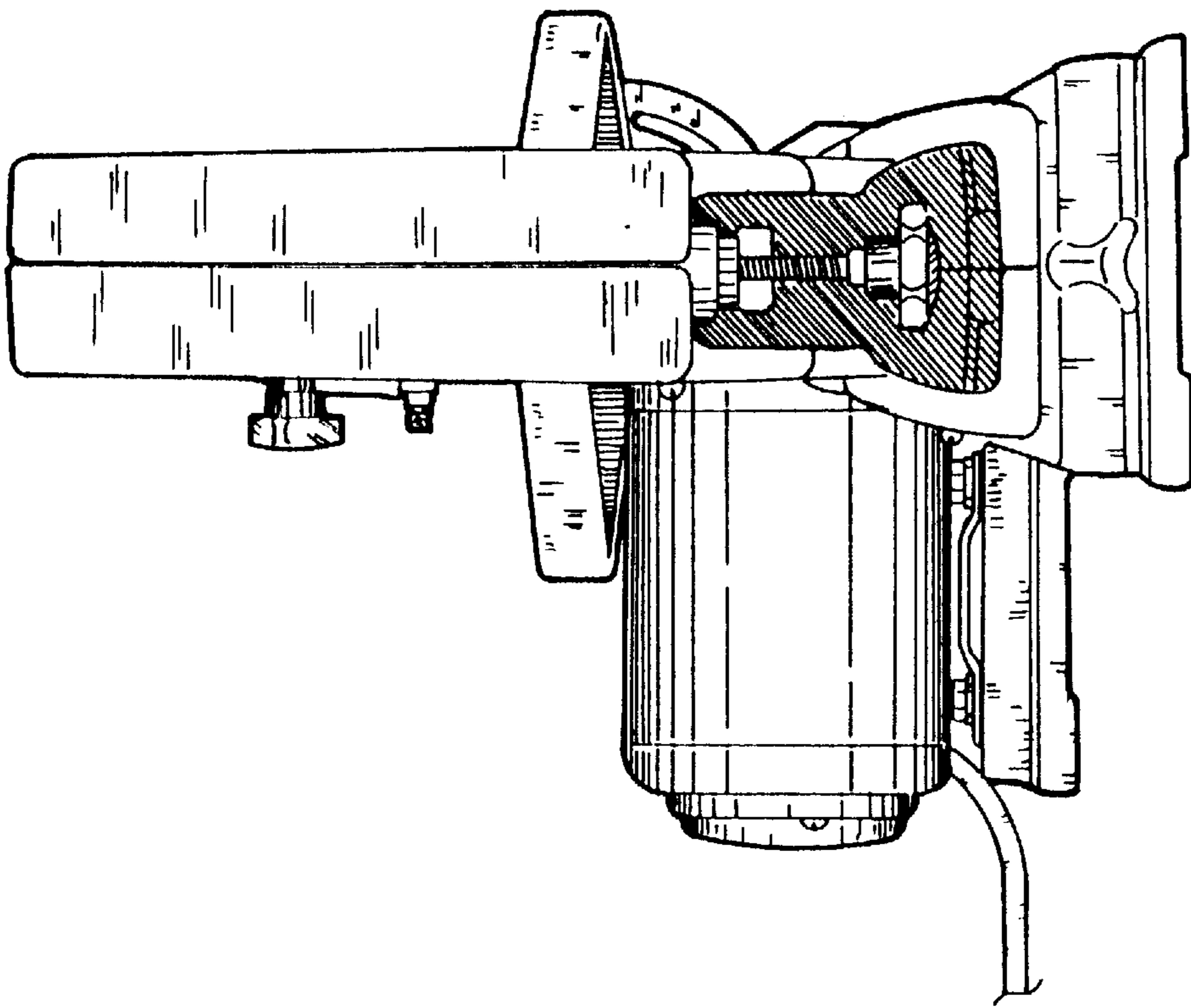


FIG. 3

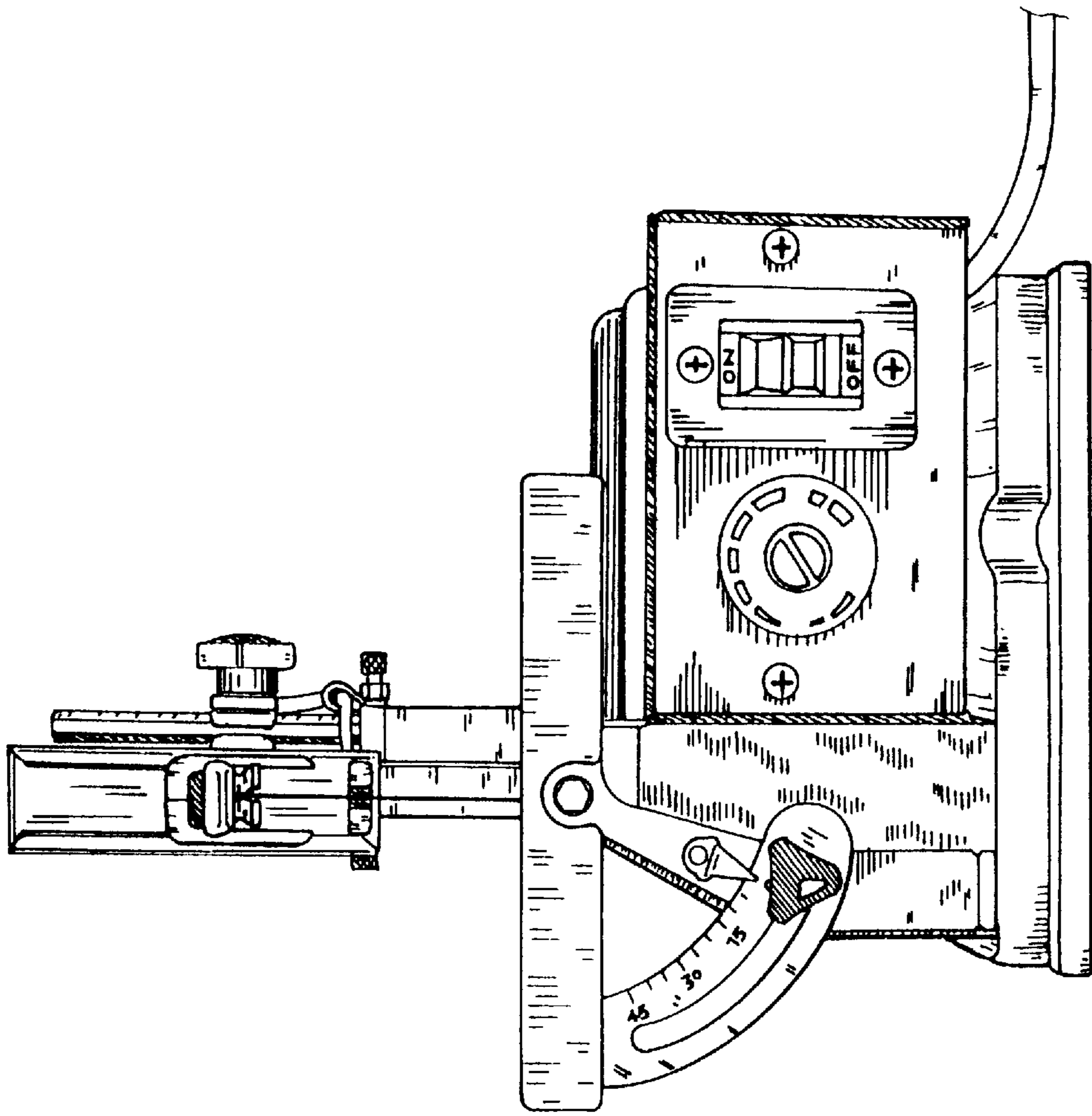


FIG. 4

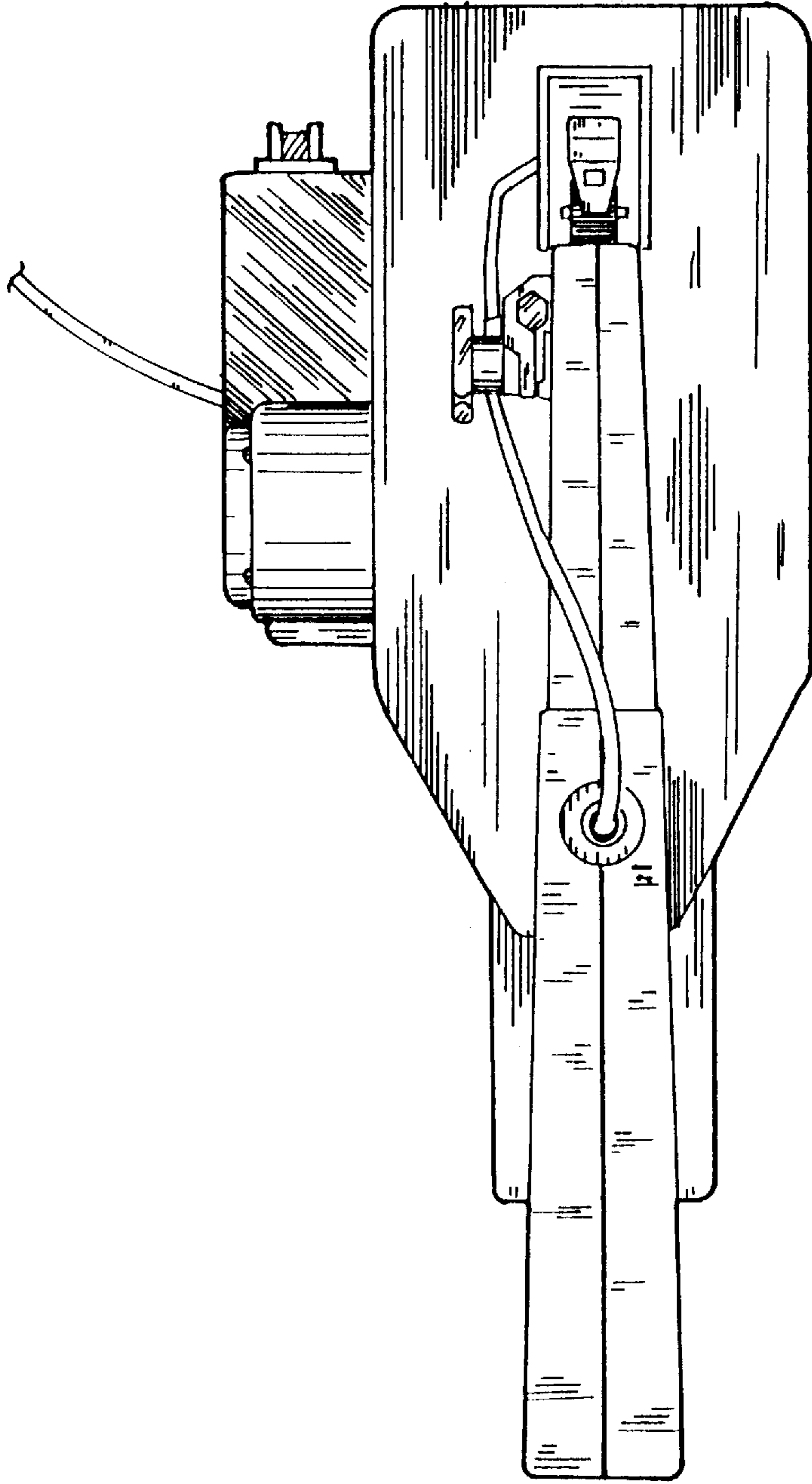


FIG. 5

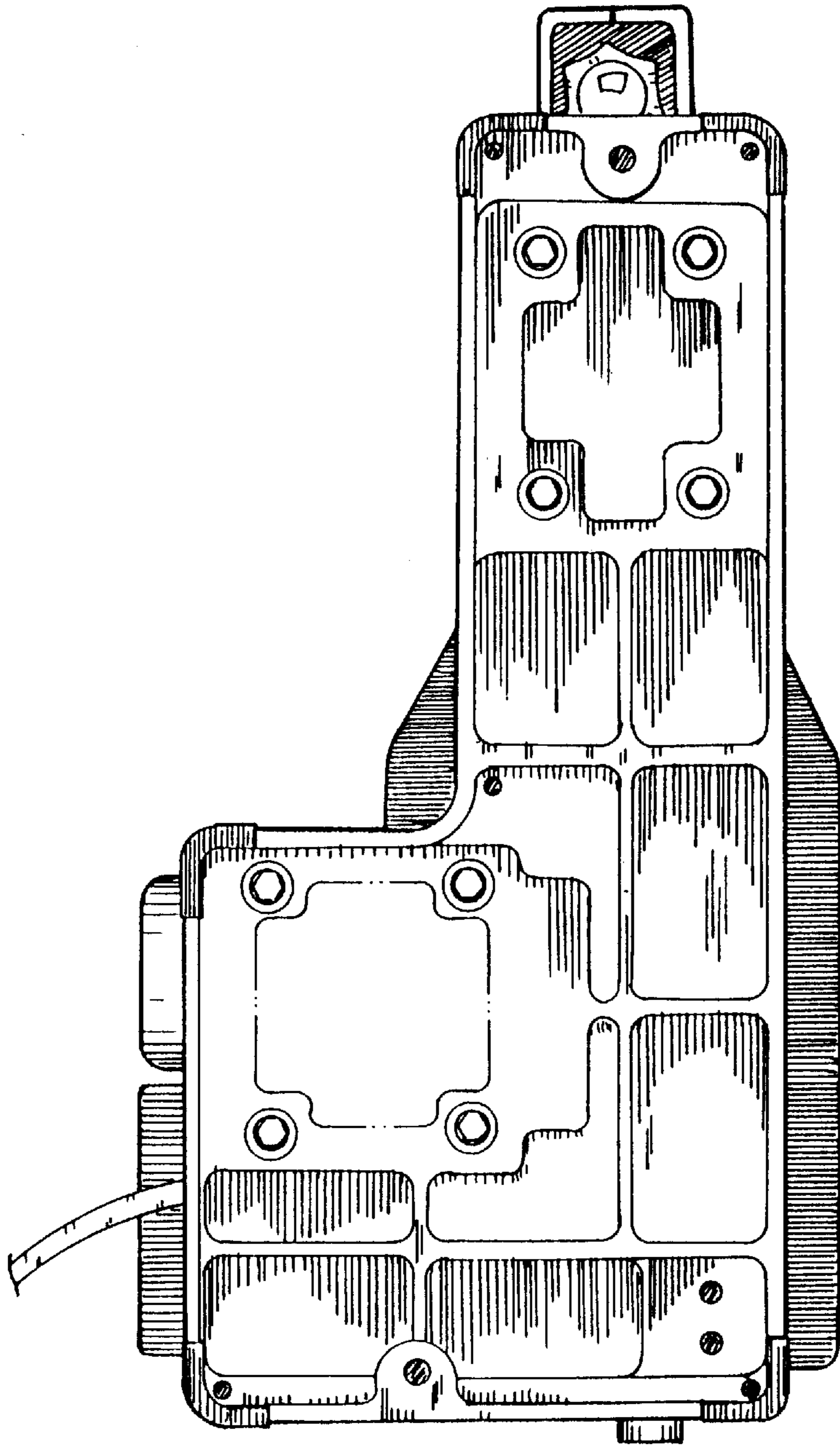


FIG. 6

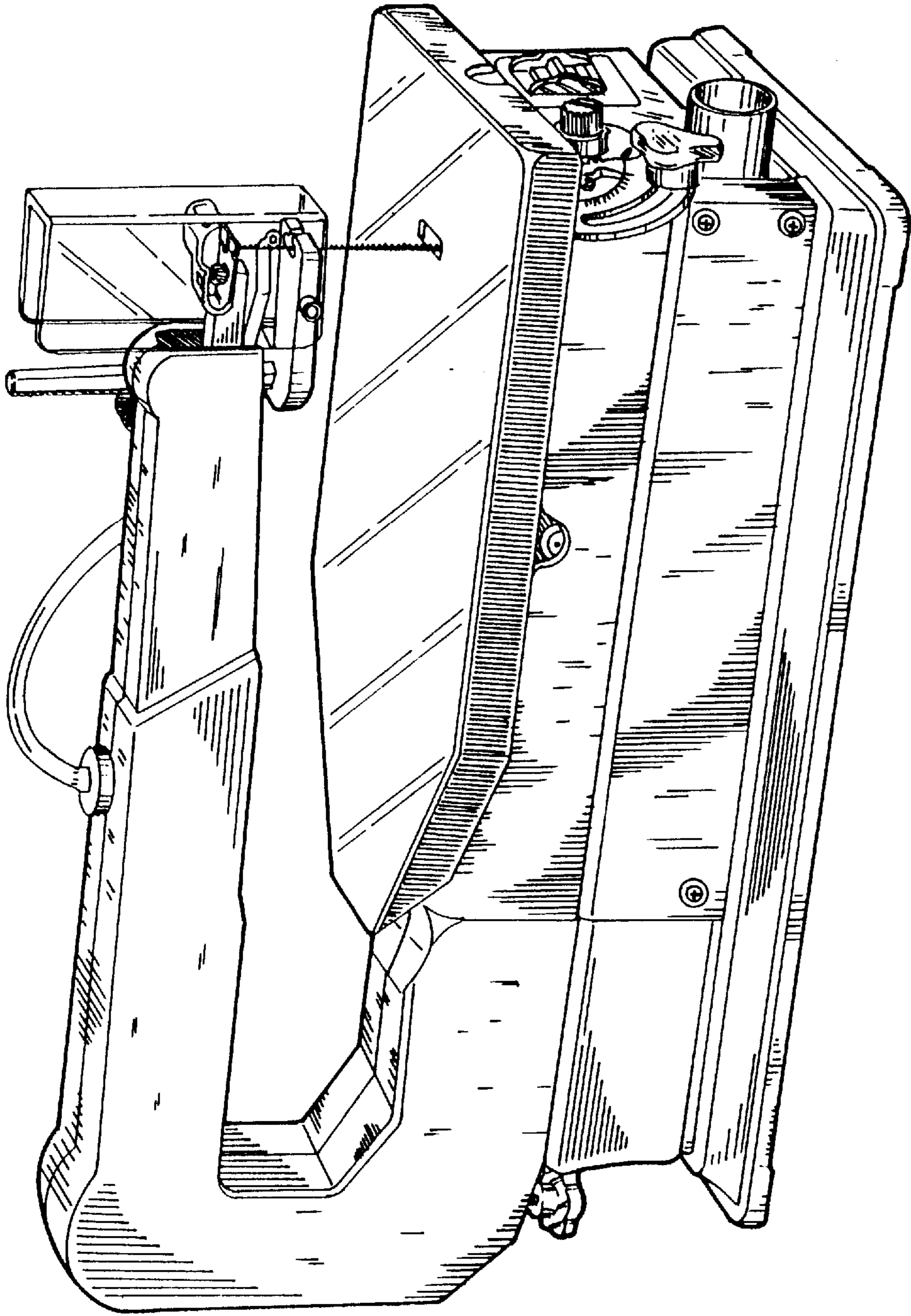


FIG. 7