



US00D400896S

# United States Patent [19] Hepworth

[11] **Patent Number: Des. 400,896**

[45] **Date of Patent: \*\*Nov. 10, 1998**

[54] **TILE CUTTER**

D. 354,757 1/1995 Wixey ..... D15/133

[75] Inventor: **Paul S Hepworth**, Surrey, England

*Primary Examiner*—Antoine Duval Davis  
*Attorney, Agent, or Firm*—Andrus, Sceales, Starke & Sawall

[73] Assignee: **Plasplugs Inc.**, Lakewood, N.J.

[\*\*] Term: **14 Years**

[57] **CLAIM**

[21] Appl. No.: **75,617**

The ornamental design for a tile cutter, as shown and described.

[22] Filed: **Sep. 3, 1997**

**DESCRIPTION**

[30] **Foreign Application Priority Data**

Mar. 4, 1997 [GB] United Kingdom ..... 2063759

FIG. 1 is a perspective view of a tile cutter showing my new design;

[51] **LOC (6) Cl.** ..... **15-09**

FIG. 2 is a right side elevation view thereof;

[52] **U.S. Cl.** ..... **D15/133; D15/127**

FIG. 3 is a left side elevation view thereof;

[58] **Field of Search** ..... D15/127, 133;  
83/169; 125/13.01; 451/344, 450

FIG. 4 is a top plan view thereof;

FIG. 5 is a front view thereof;

FIG. 6 is a rear elevation view thereof; and,

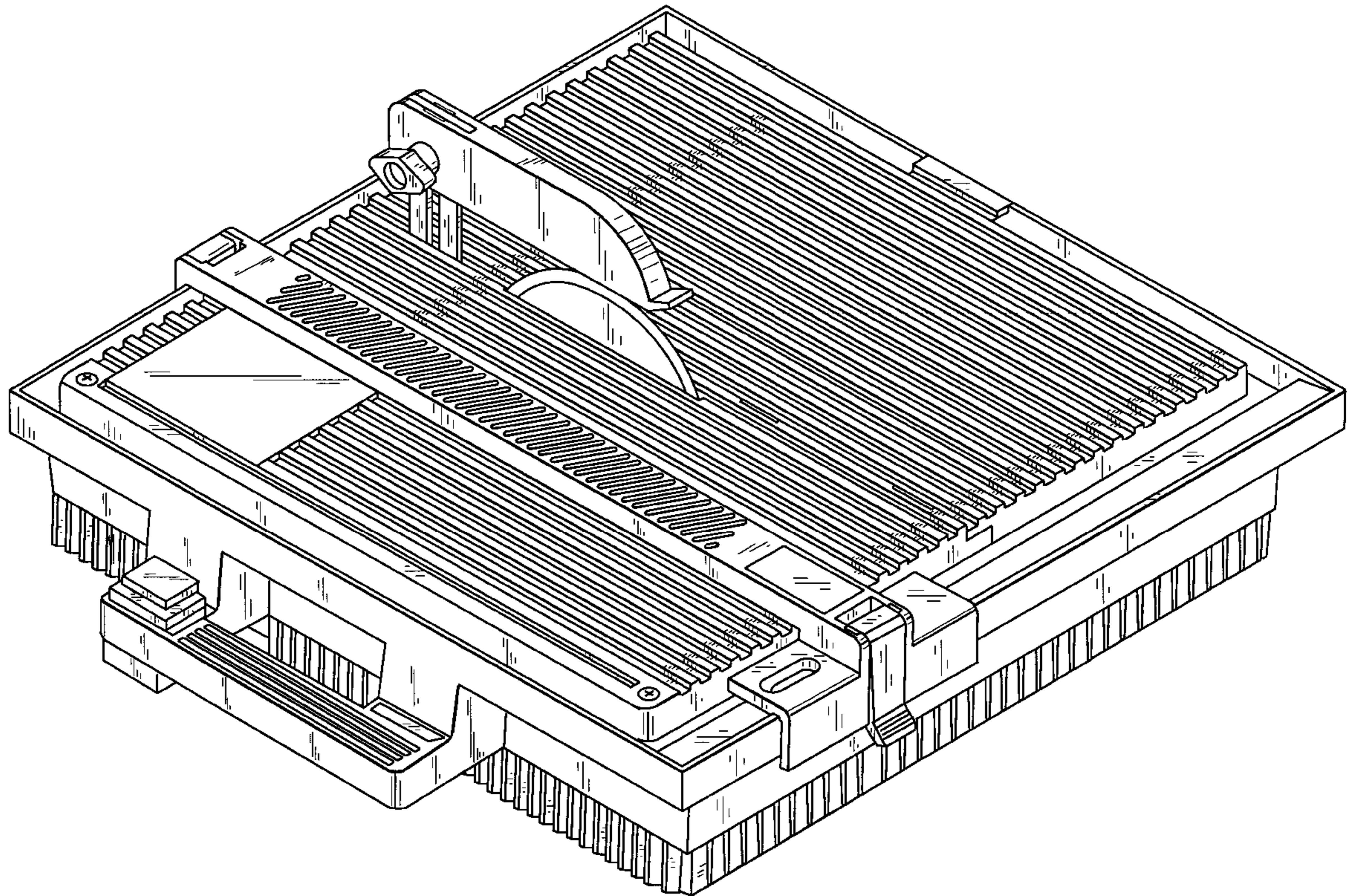
FIG. 7 is a bottom plan view thereof.

[56] **References Cited**

**U.S. PATENT DOCUMENTS**

Re. 35,666 11/1997 Smith ..... 125/13.01

**1 Claim, 4 Drawing Sheets**



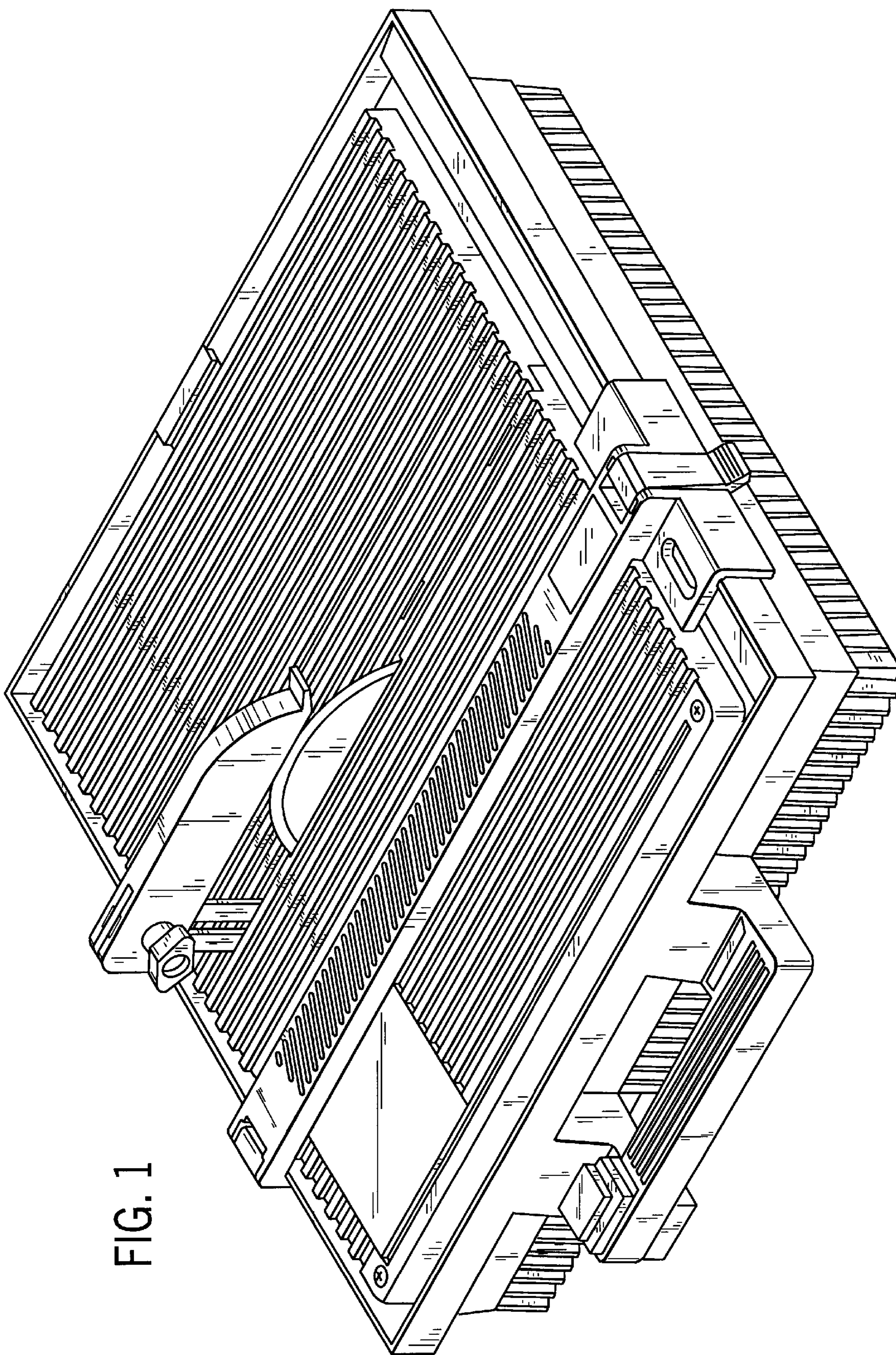


FIG. 1

FIG. 2

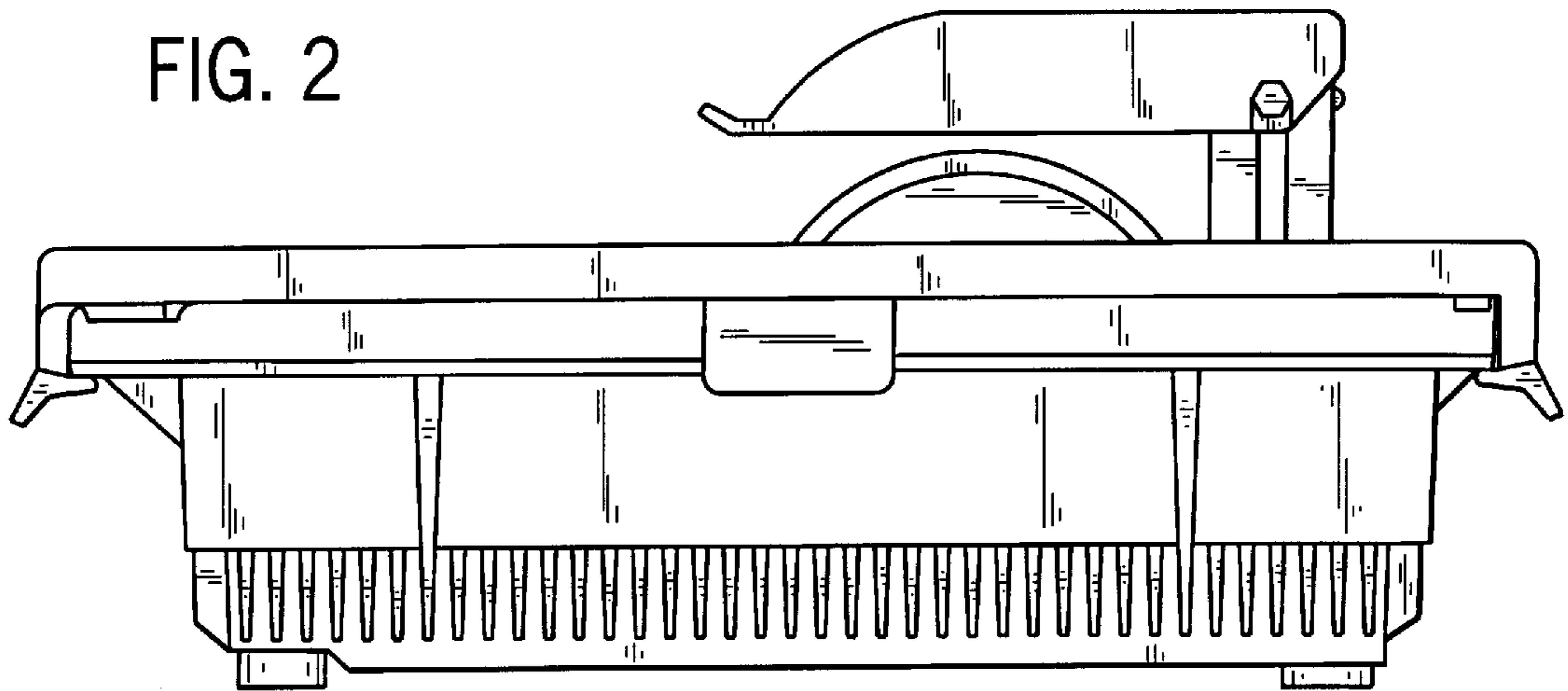


FIG. 3

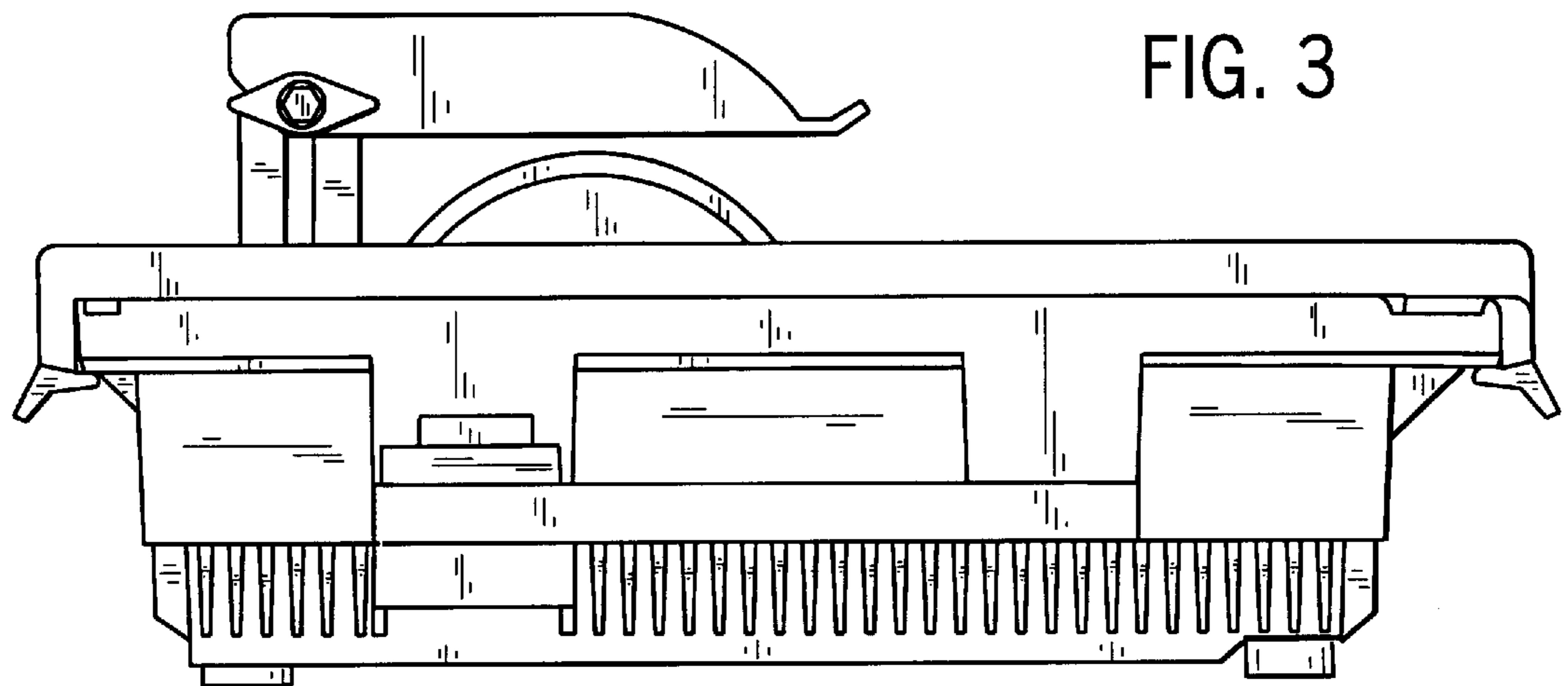


FIG. 4

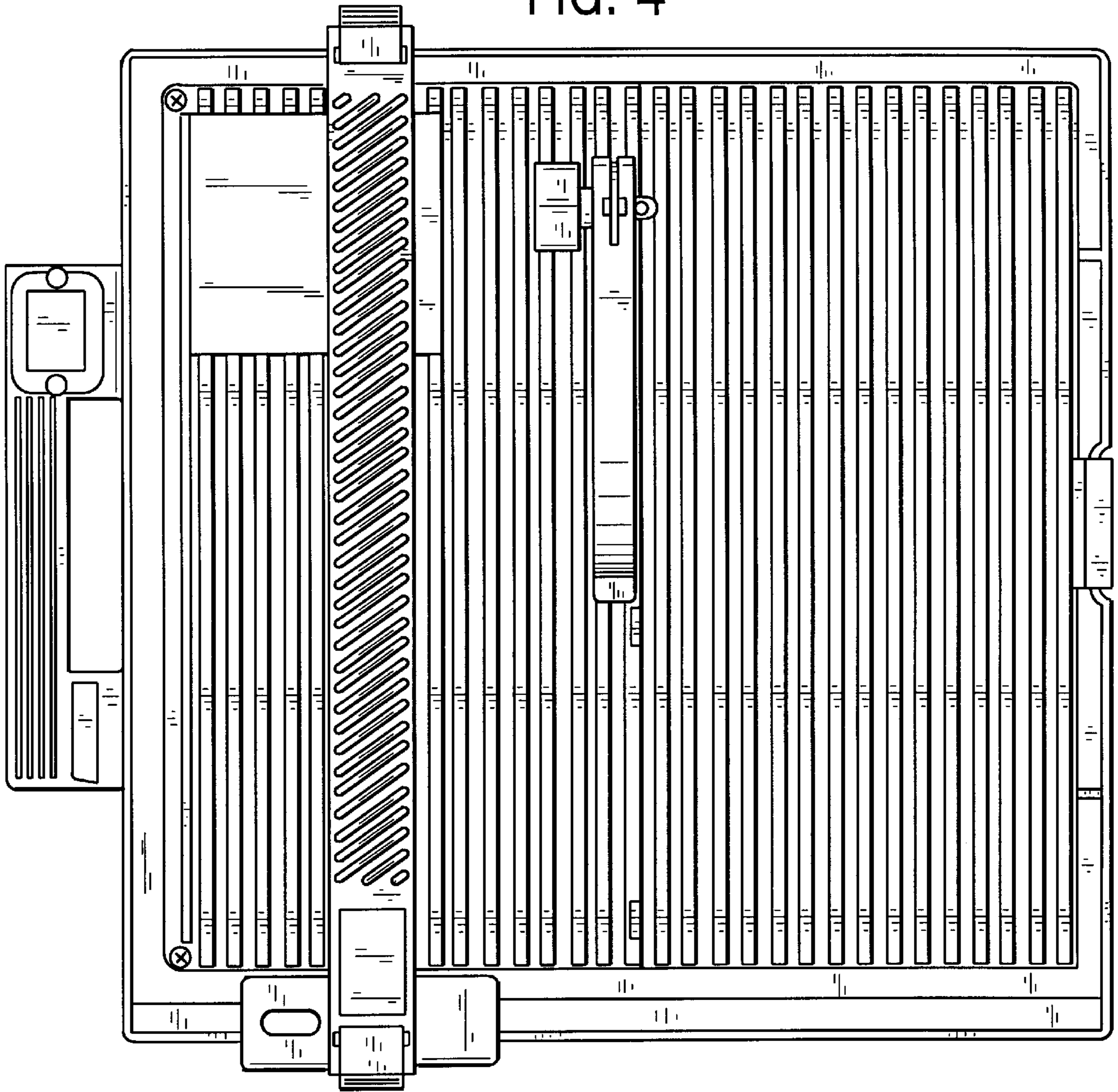


FIG. 5

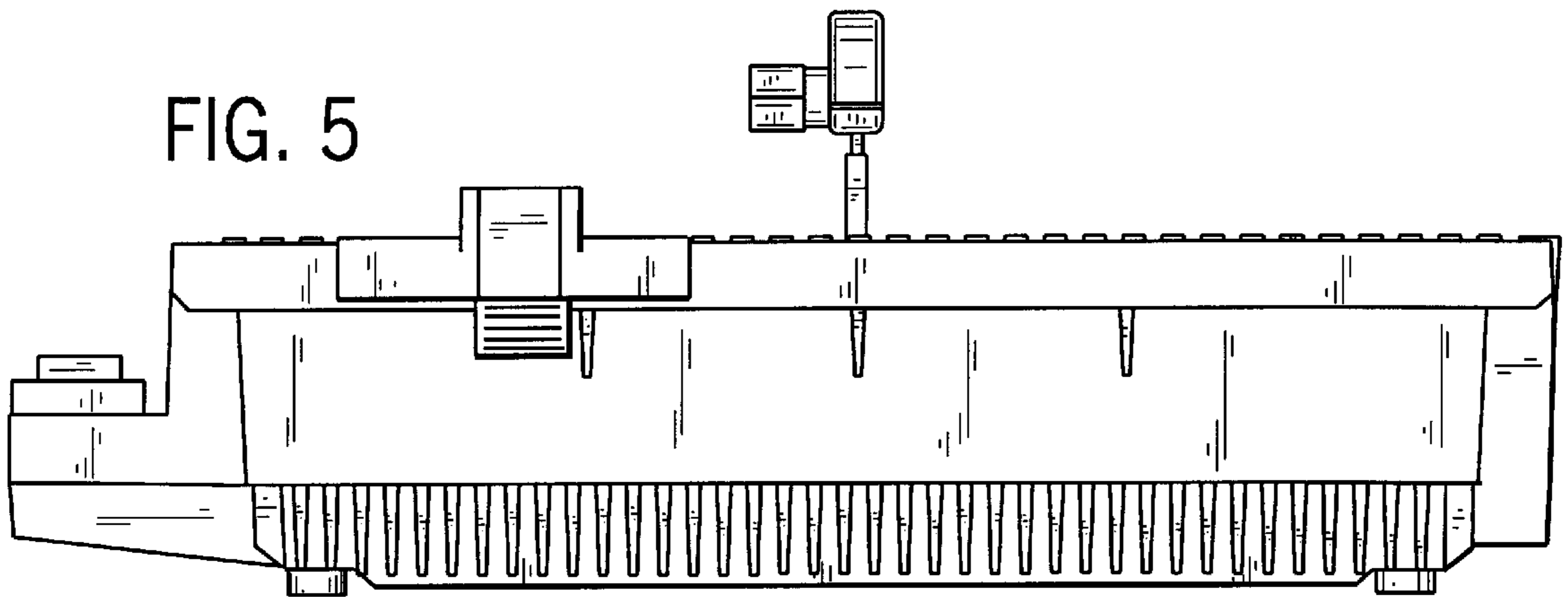


FIG. 6

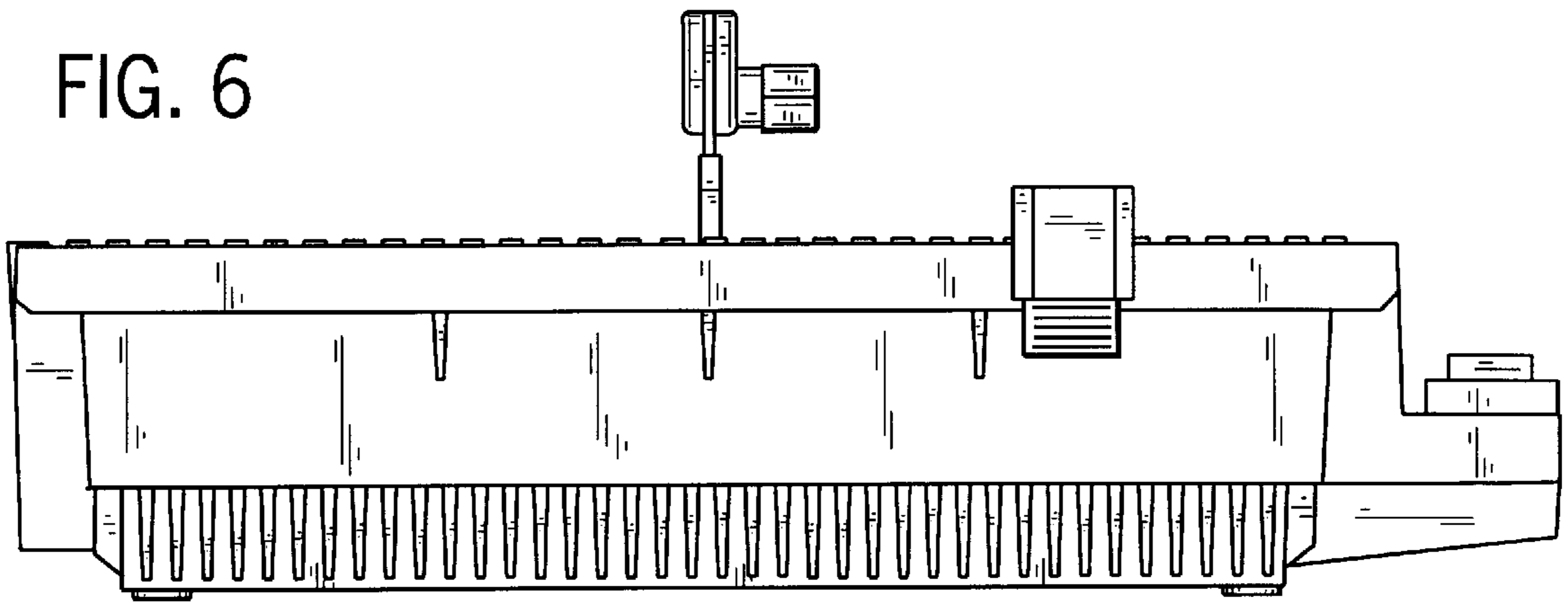


FIG. 7

