



US00D400895S

United States Patent [19]
Schrepfer

[11] **Patent Number: Des. 400,895**

[45] **Date of Patent: **Nov. 10, 1998**

[54] **ROLLER MILL**

[75] Inventor: **Georg Schrepfer**, Niederuzwil,
Switzerland

[73] Assignee: **Buhler AG**, Uzwill, Switzerland

[**] Term: **14 Years**

[21] Appl. No.: **72,210**

[22] Filed: **Jun. 4, 1997**

[30] **Foreign Application Priority Data**

Dec. 5, 1996 [CH] Switzerland 123792

[51] **LOC (6) Cl.** **15-09**

[52] **U.S. Cl.** **D15/131**

[58] **Field of Search** D15/131; 209/139.1;
241/6-13, 29, 37, 79.1, 80, 109, 119, 121,
117, 159, 130, 224, 227, 230, 232, 234,
235, 260, 261.2, 293, 296, DIG. 30

[56] **References Cited**

U.S. PATENT DOCUMENTS

D. 328,467 8/1992 Maleschew D15/131

4,140,285 2/1979 Linzberger et al. .
4,339,083 7/1982 Linzberger et al. .
4,806,235 2/1989 Mueller 209/139.1 X
5,201,470 4/1993 Baltensperger et al. .

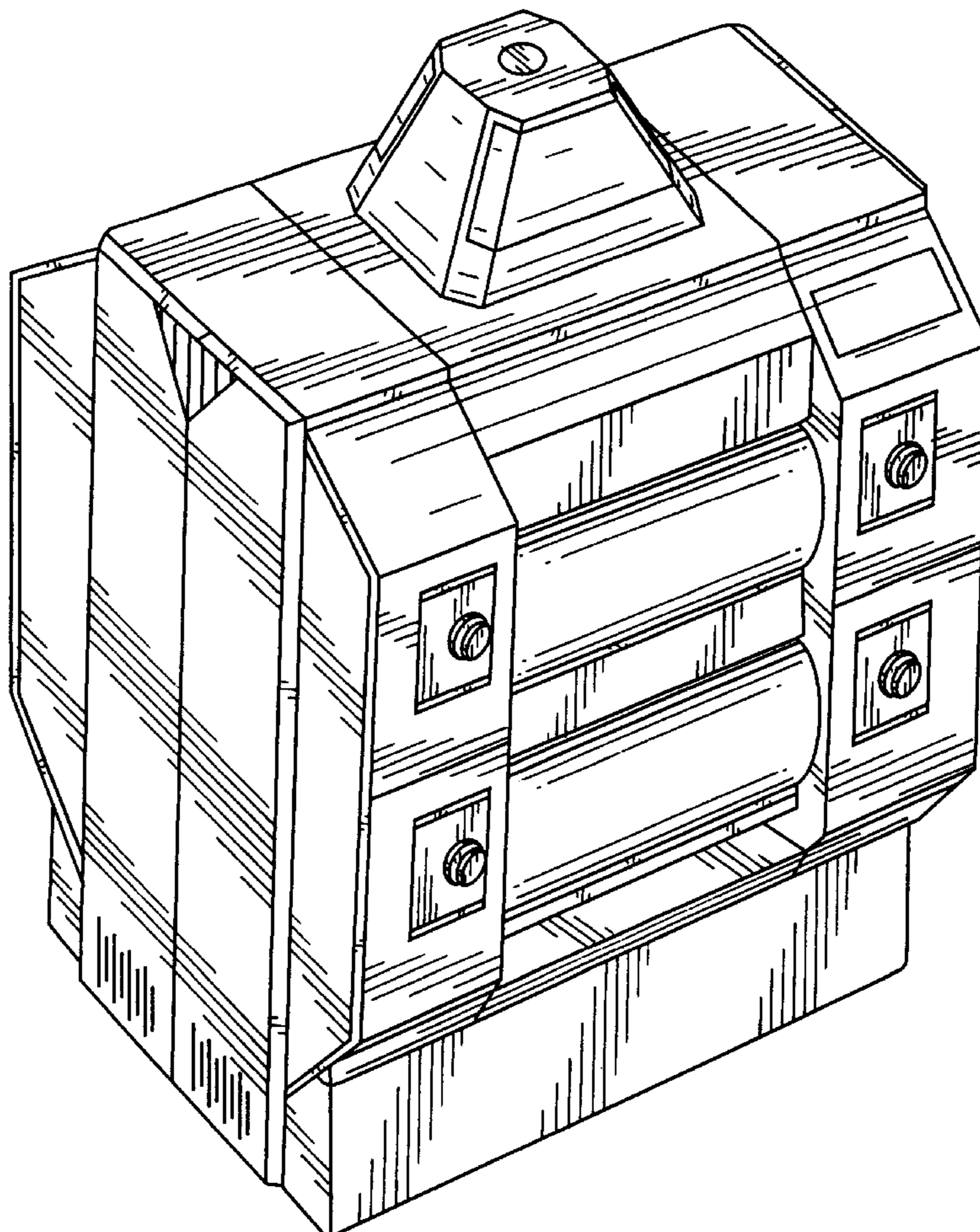
Primary Examiner—Antoine Duval Davis
Attorney, Agent, or Firm—Finnegan, Henderson, Farabo,
Garrett & Dunner

[57] **CLAIM**

The ornamental design for a roller mill, as shown and described.

DESCRIPTION

FIG. 1 is a top perspective view of a roller mill;
FIG. 2 is a front view thereof;
FIG. 3 is a side view thereof; and,
FIG. 4 is a top view thereof.



1 Claim, 3 Drawing Sheets

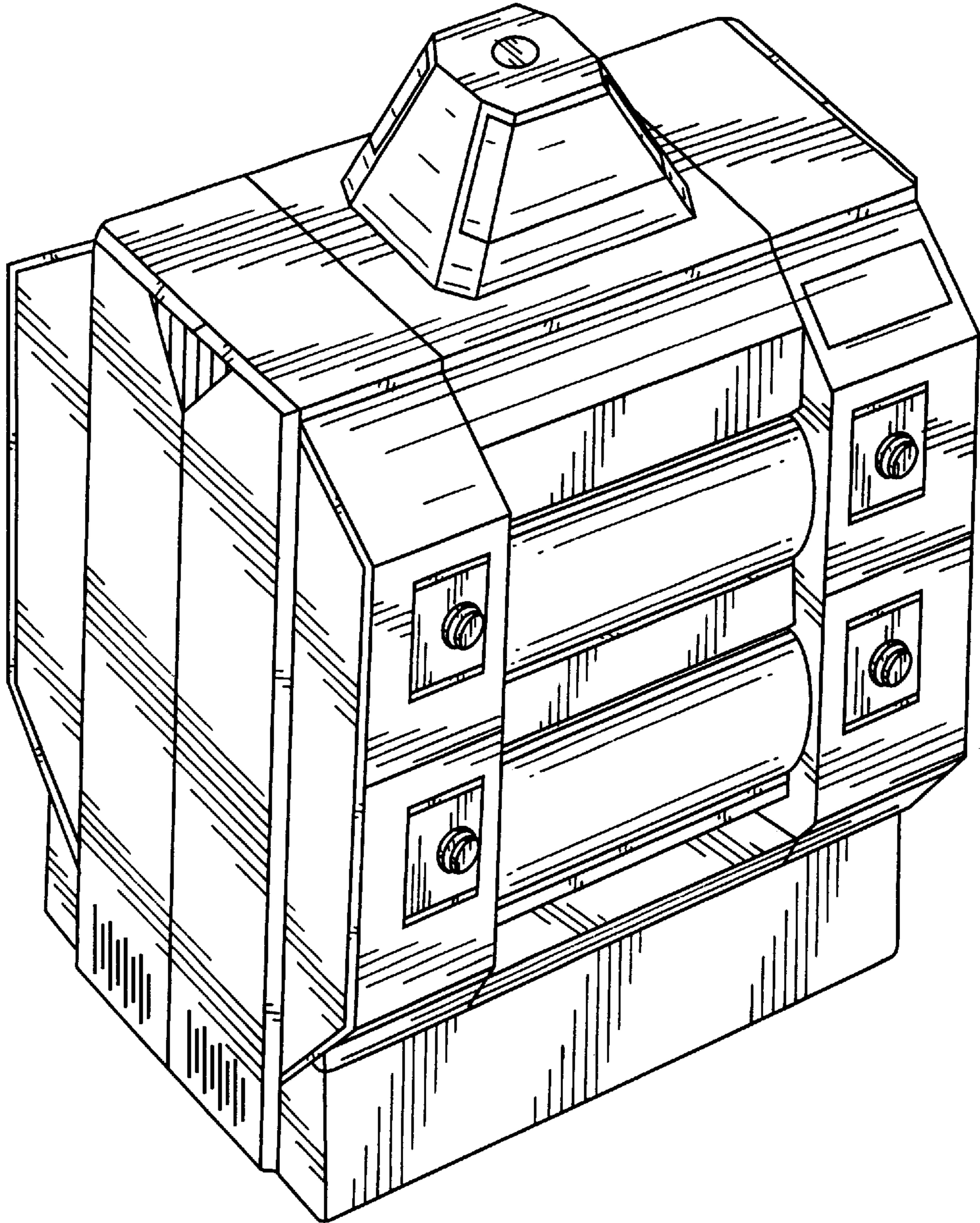


FIG. 1

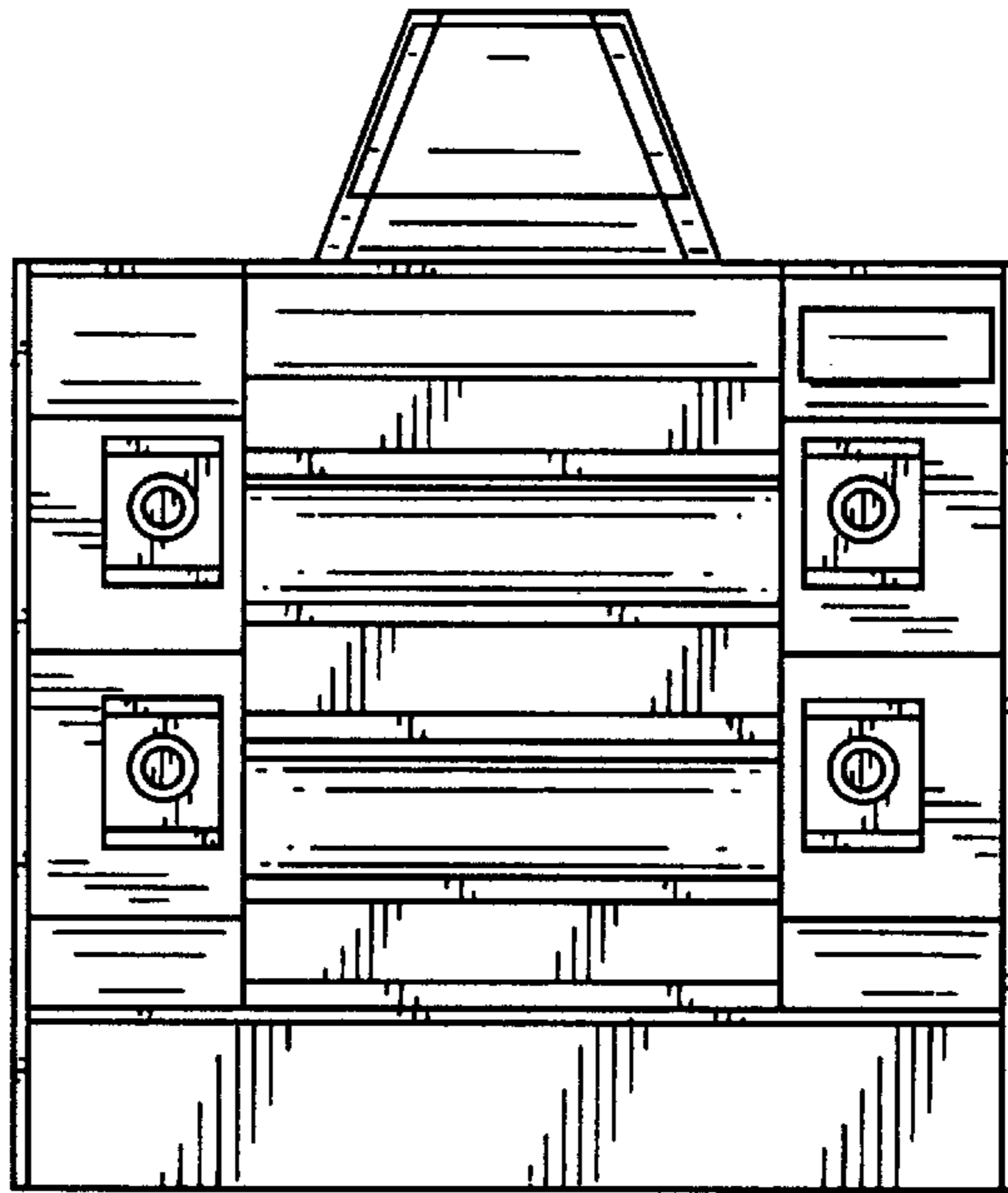


FIG. 2

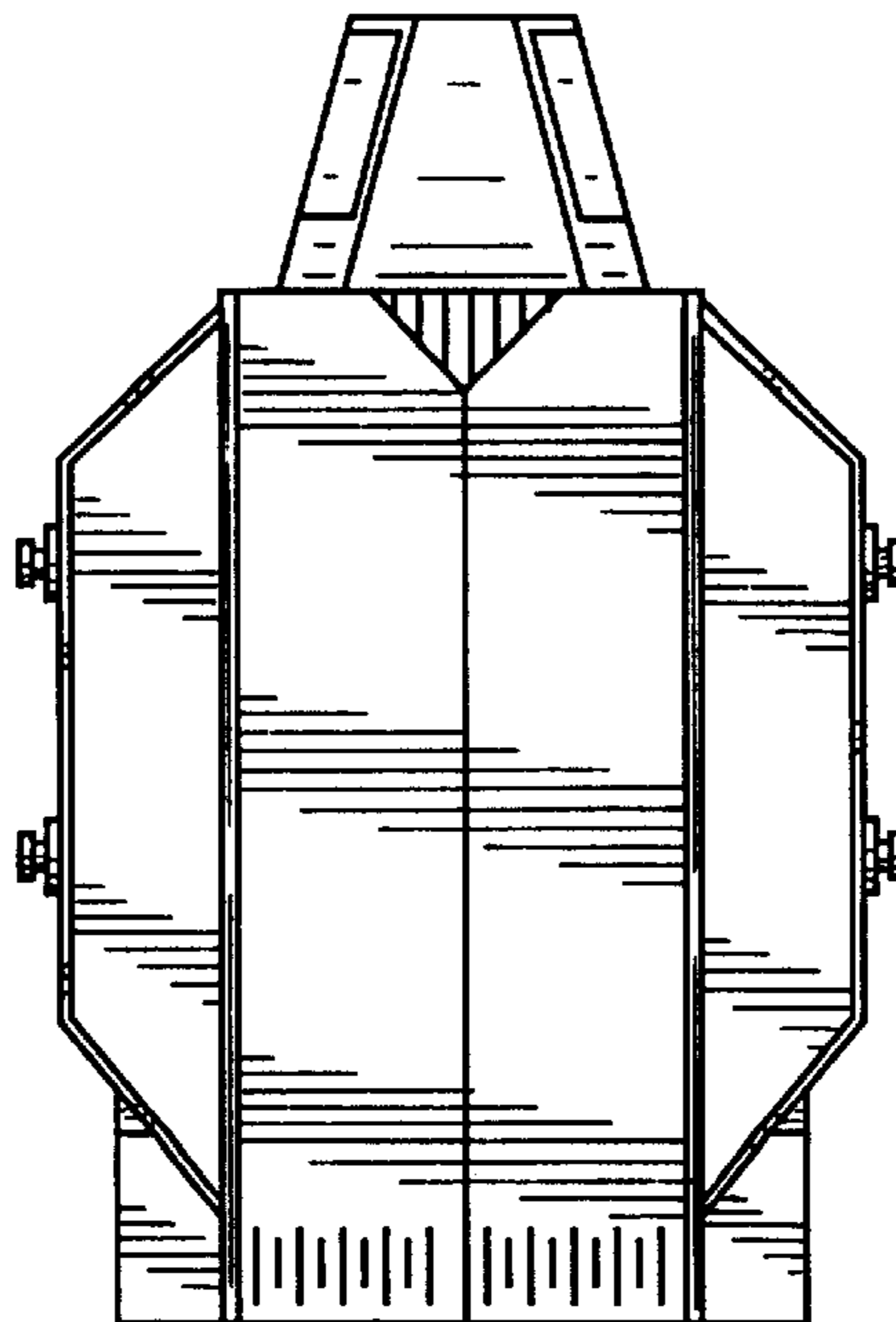


FIG. 3

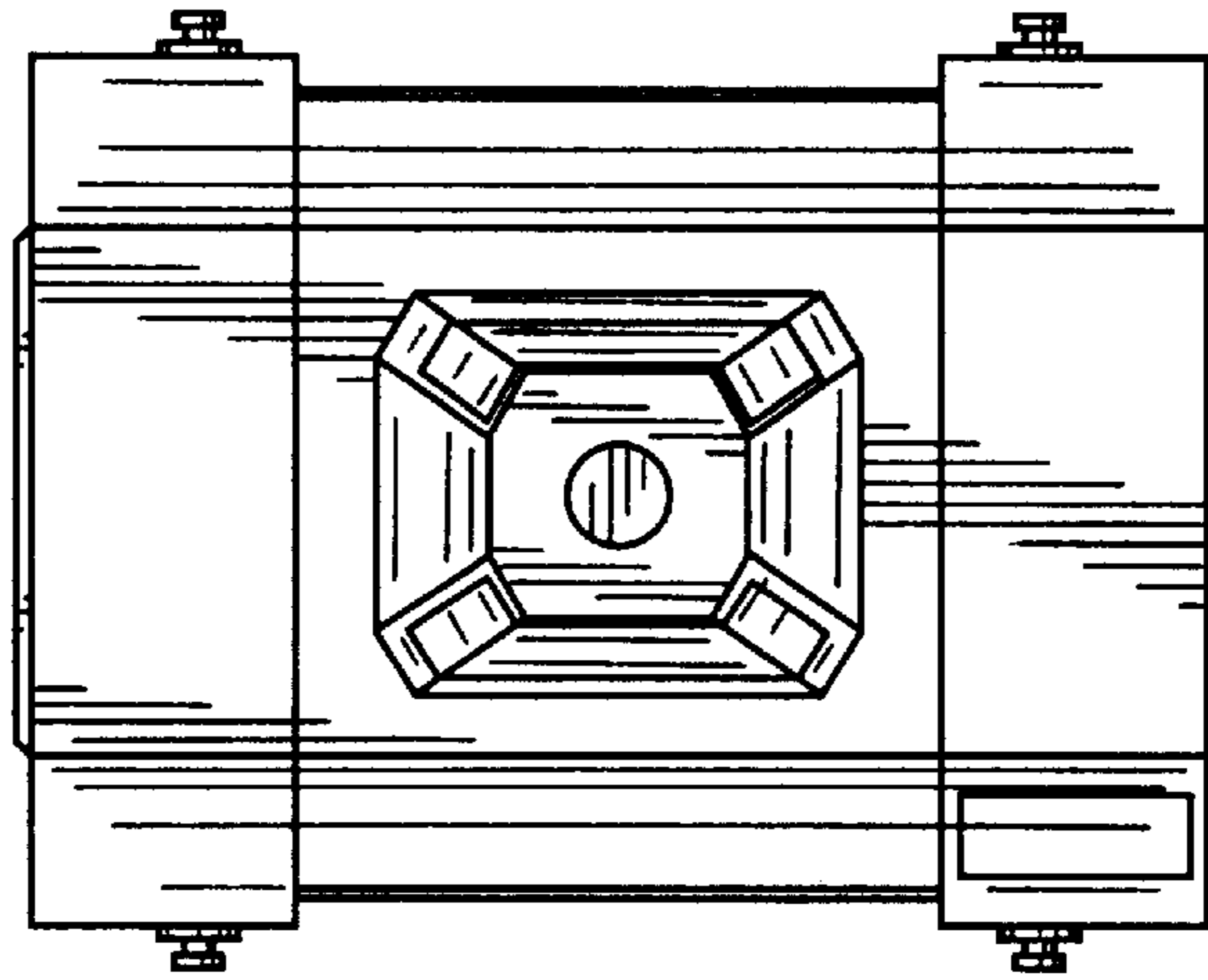


FIG. 4