



US00D400890S

United States Patent [19] Gambardella

[11] **Patent Number: Des. 400,890**

[45] **Date of Patent: **Nov. 10, 1998**

[54] **AUTOMOTIVE MANIFOLD**

[76] Inventor: **C. Bruce Gambardella**, 199
McNamara Rd., Spring Valley, N.Y.
10977

[**] Term: **14 Years**

[21] Appl. No.: **81,161**

[22] Filed: **Dec. 3, 1997**

[51] **LOC (6) Cl.** **15-01**

[52] **U.S. Cl.** **D15/5**

[58] **Field of Search** D15/1-5; 123/184.36,
123/41.27, 52 M

[56] **References Cited**

U.S. PATENT DOCUMENTS

D. 169,306	4/1953	Ellis	D15/5
D. 222,598	11/1971	Weiland	D15/5
D. 364,626	11/1995	Brown	D15/5
4,766,853	8/1988	Iwanami	123/184.36
4,809,647	3/1989	Masumoto et al.	123/184.36
4,957,071	9/1990	Matsuo et al.	123/184.36

Primary Examiner—Ralf Seifert

Attorney, Agent, or Firm—Weingram & Associates, P.C.

[57] **CLAIM**

I claim the ornamental design for an automotive manifold, as shown and described.

DESCRIPTION

FIG. 1 is a perspective looking from the upper front left of the automotive manifold incorporating my new and novel design;

FIG. 2 is a top plan view of the automotive manifold shown in FIG. 1;

FIG. 3 is a front elevation of the automotive manifold shown in FIG. 1;

FIG. 4 is a rear elevation of the automotive manifold shown in FIG. 1;

FIG. 5 is a right side view of the automotive manifold shown in FIG. 1;

FIG. 6 is a left side view of the automotive manifold shown in FIG. 1; and,

FIG. 7 is a bottom plan view of the automotive manifold shown in FIG. 1.

1 Claim, 7 Drawing Sheets

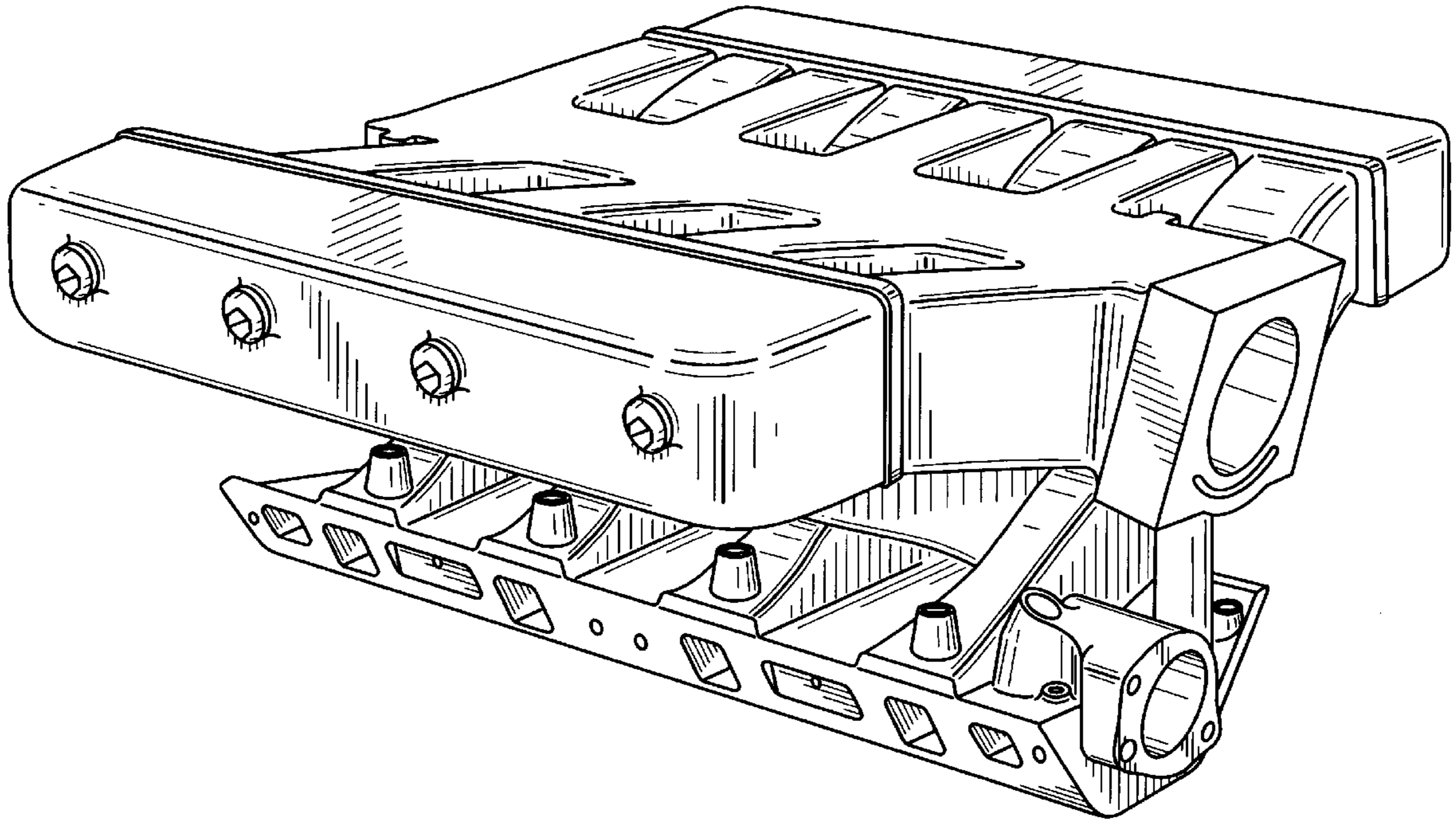
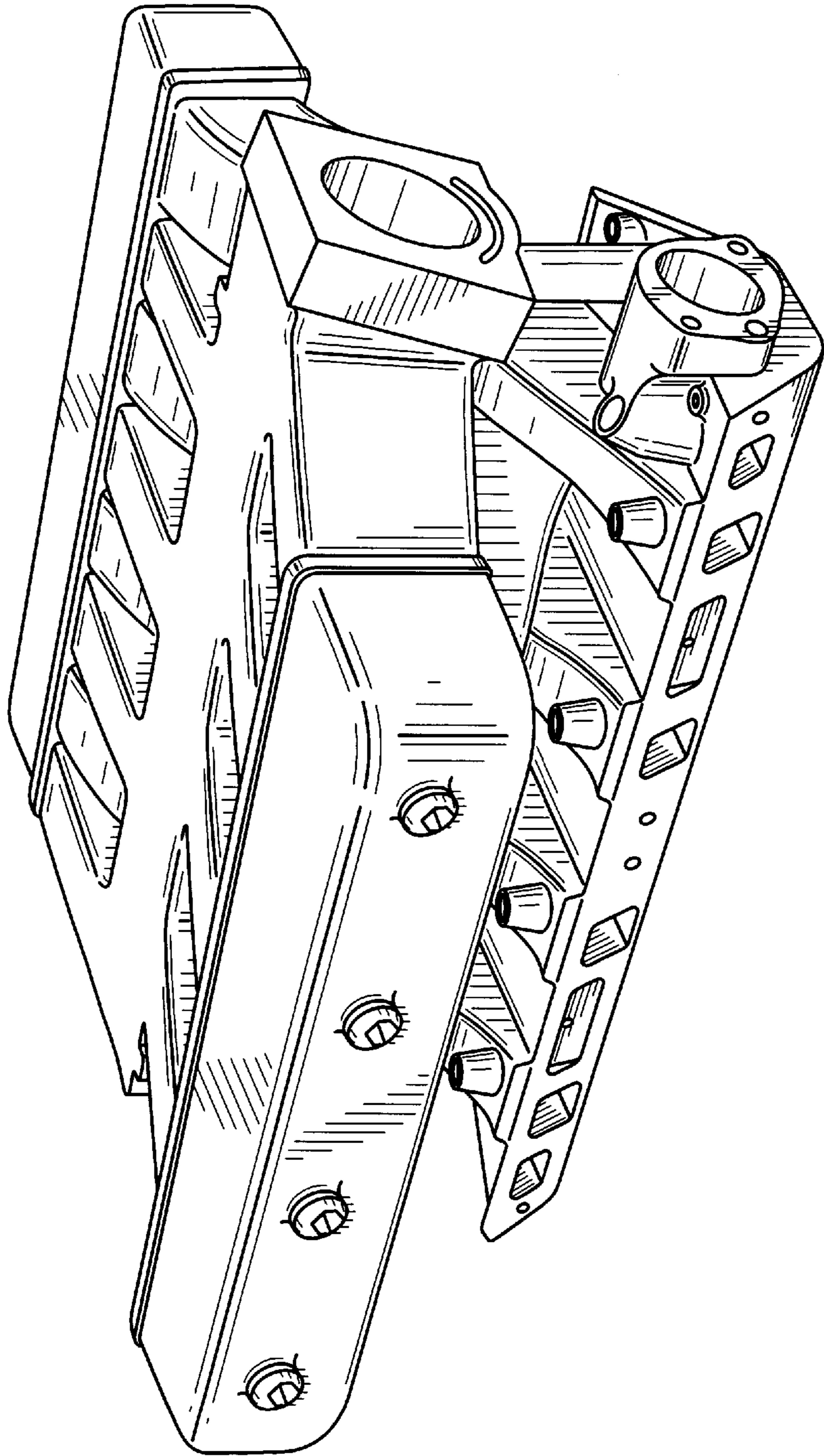


FIG. 1



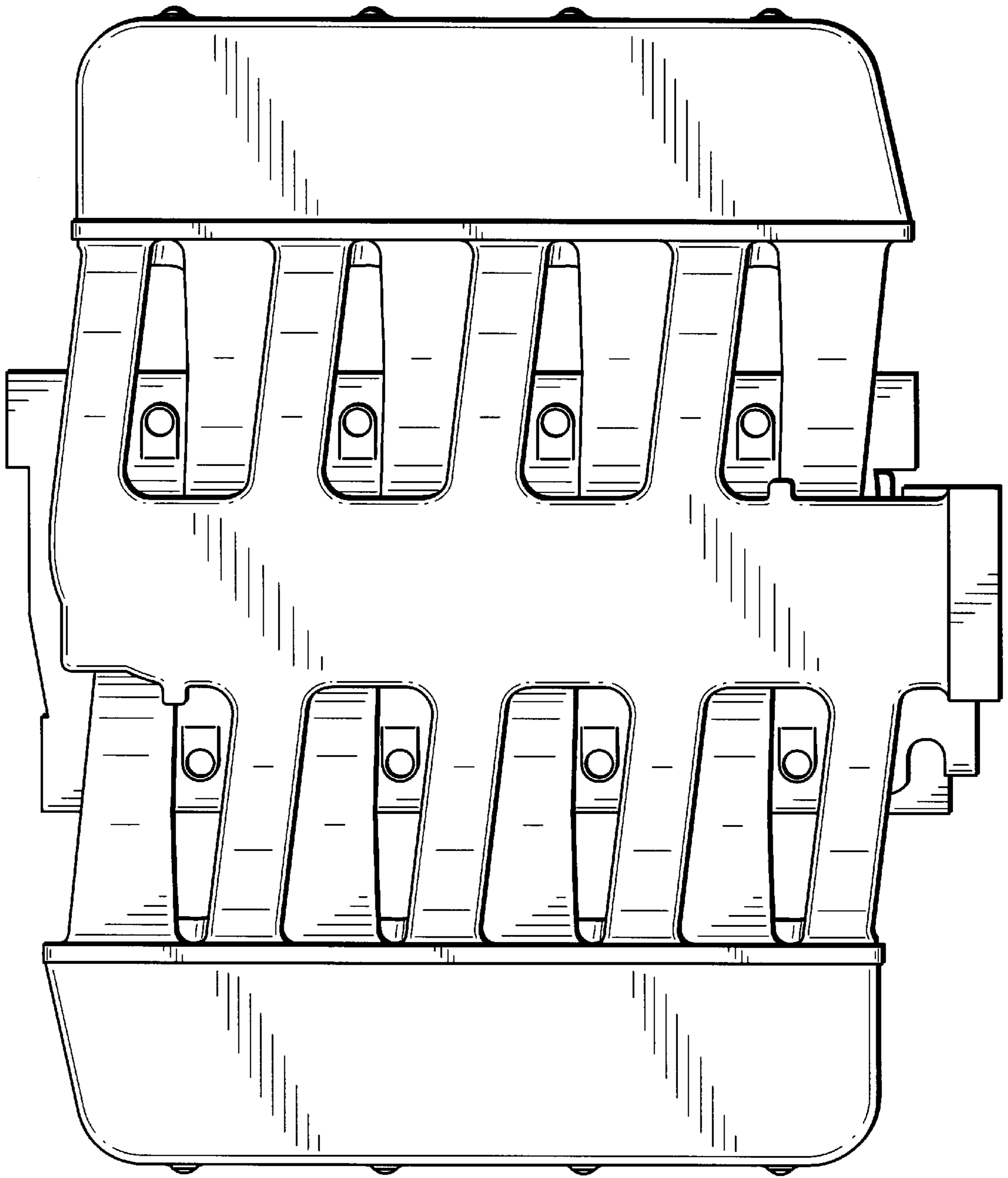


FIG. 2

FIG. 3

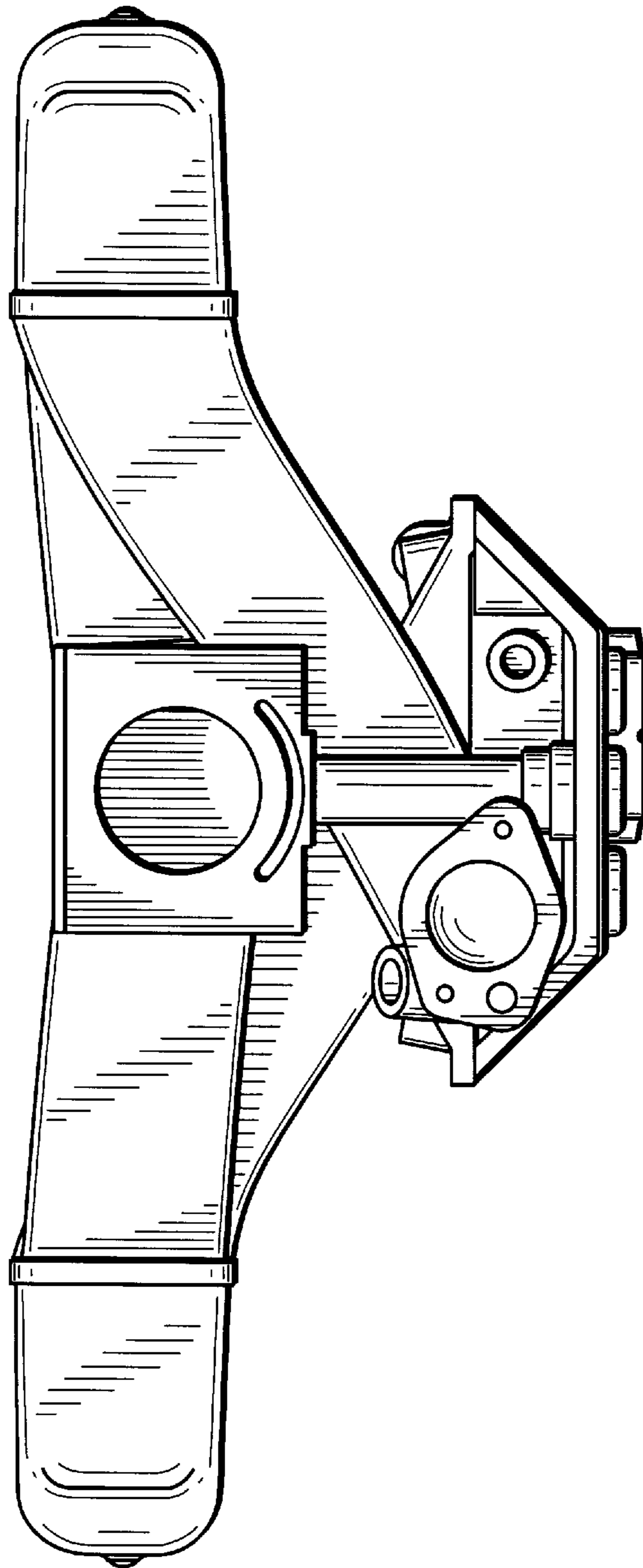


FIG. 4

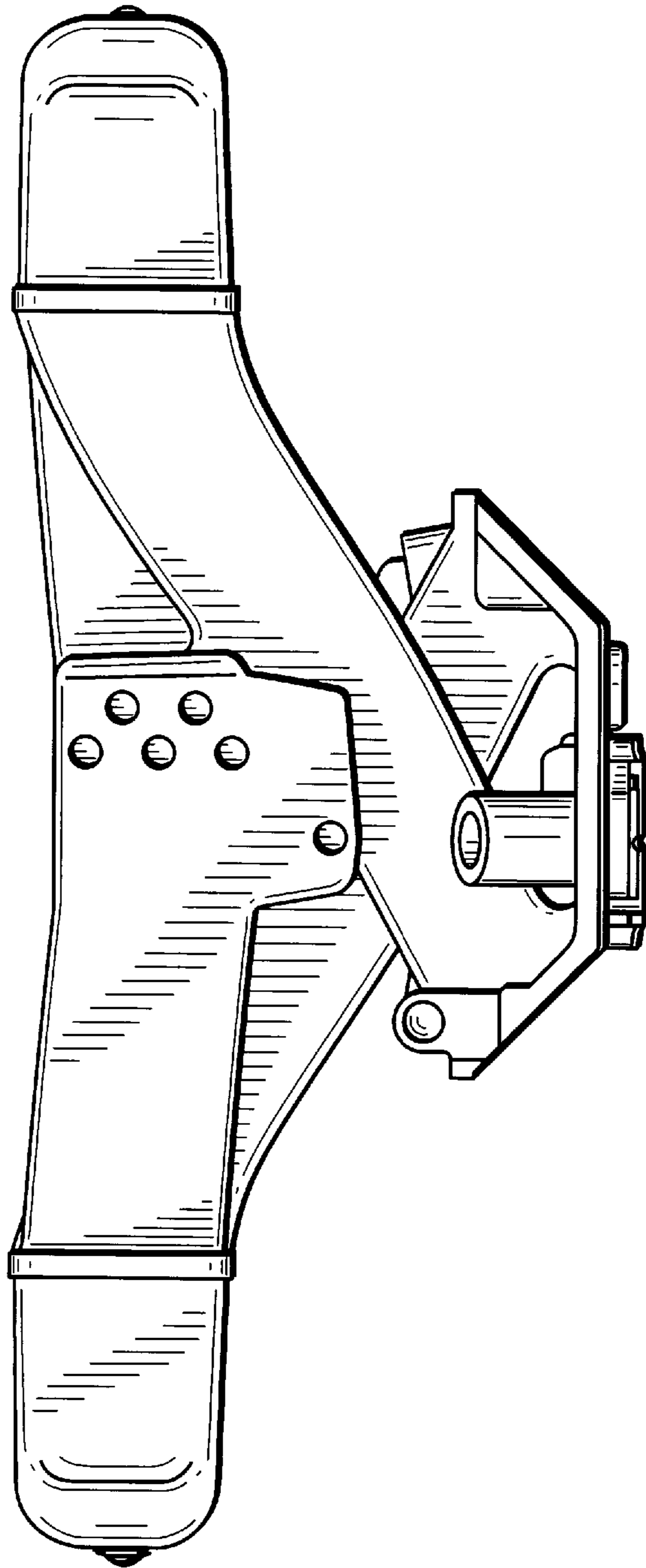


FIG. 5

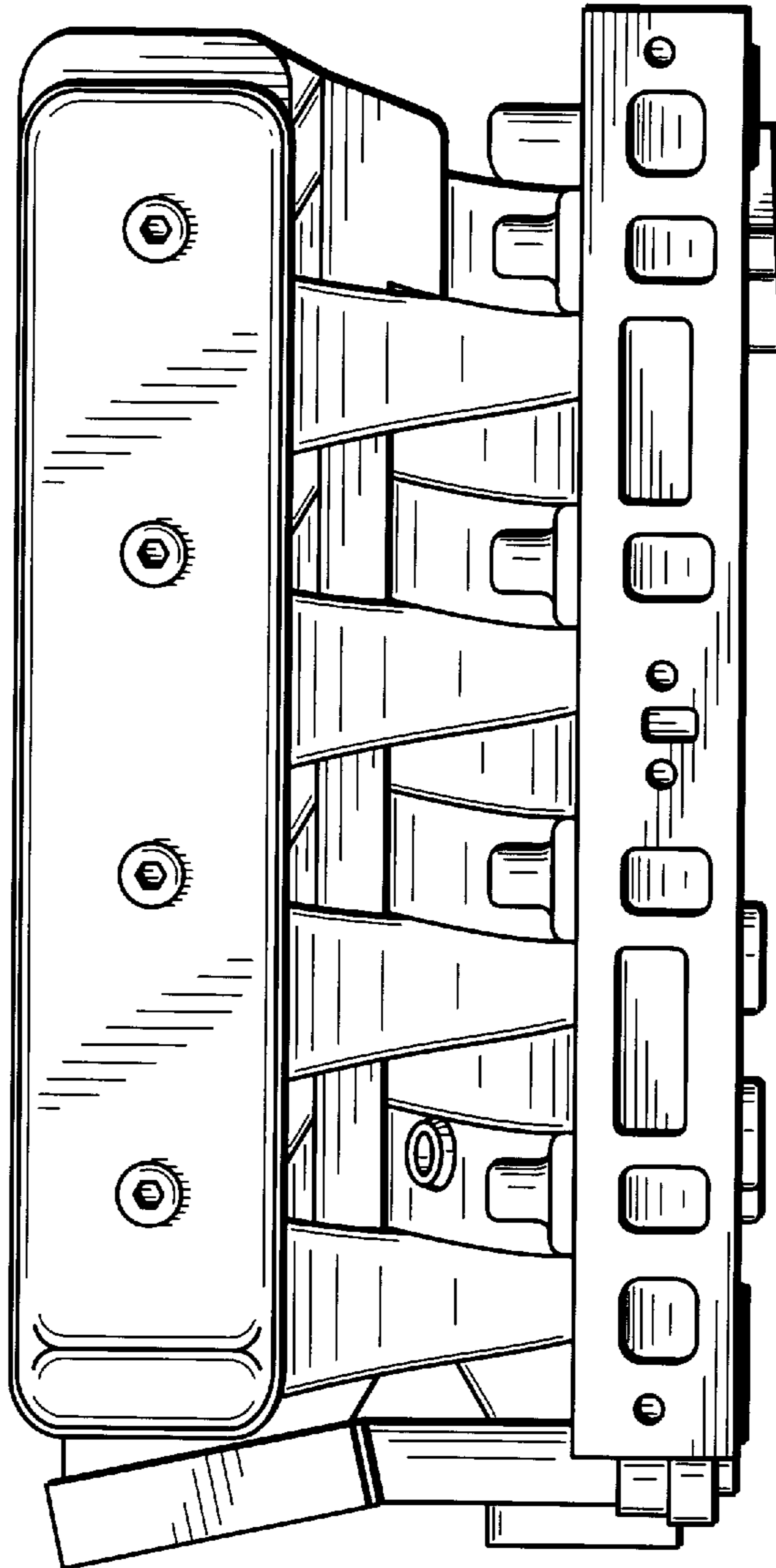
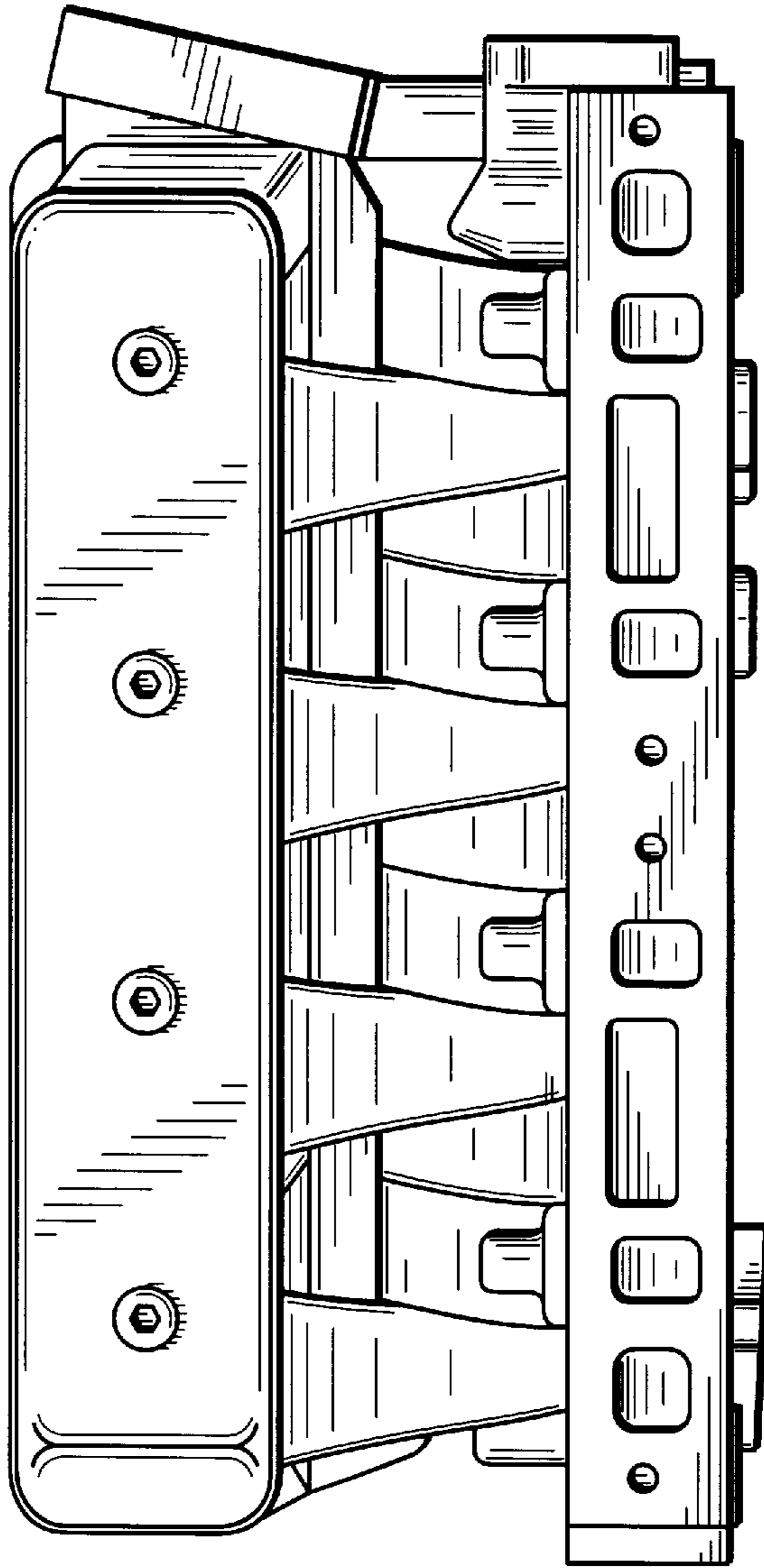


FIG. 6



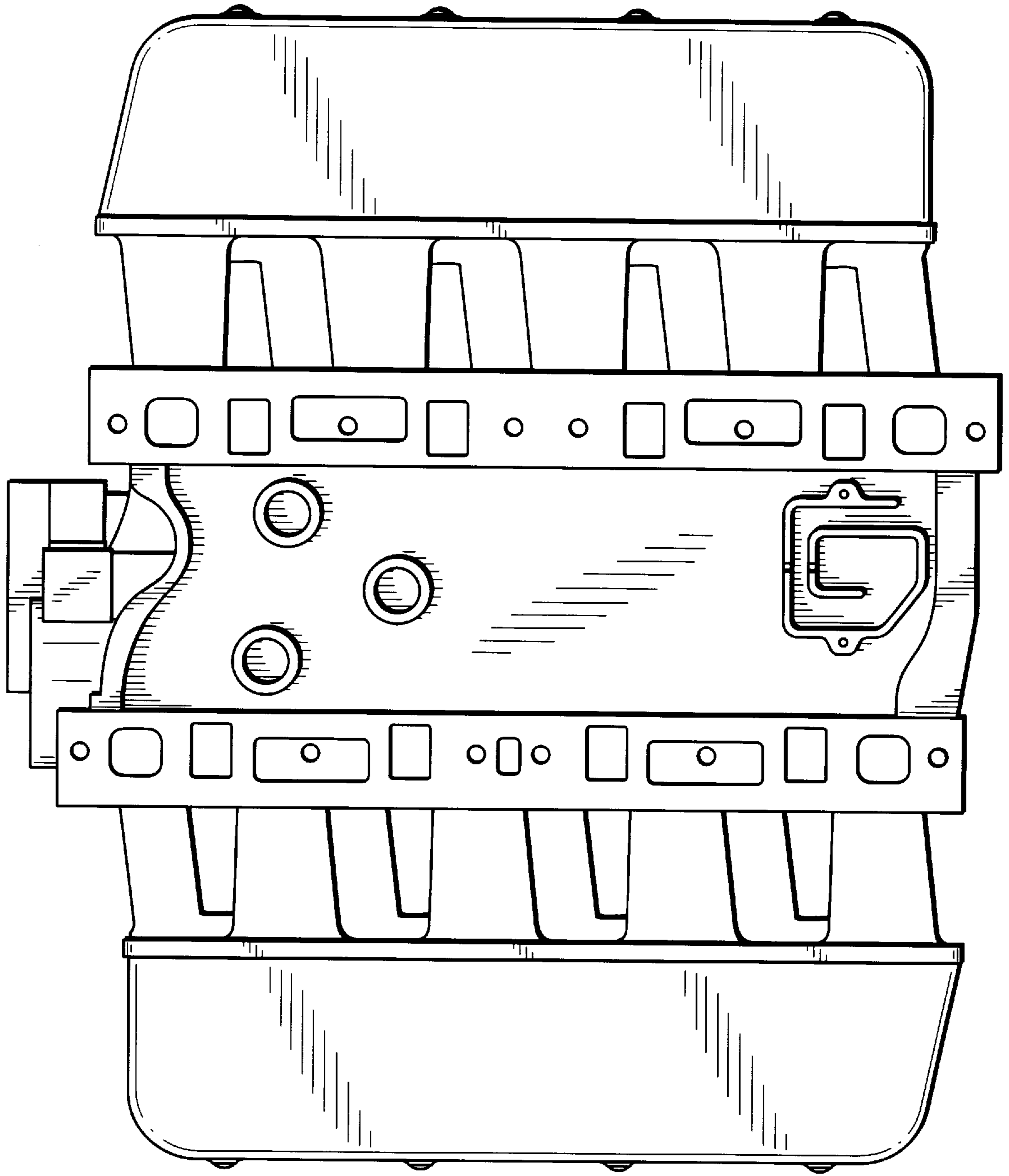


FIG. 7