



US00D400889S

# United States Patent [19]

Heiligenstein et al.

[11] **Patent Number: Des. 400,889**

[45] **Date of Patent: \*\*Nov. 10, 1998**

[54] **ANTENNA CASING END CAP**

[75] Inventors: **Luc Heiligenstein; Peter Langmar; Stephen Melamed**, all of Chicago, Ill.

[73] Assignee: **Terk Technologies Inc.**, Commack, N.Y.

[\*\*] Term: **14 Years**

[21] Appl. No.: **77,480**

[22] Filed: **Oct. 2, 1997**

[51] **LOC (6) Cl.** ..... **14-03**

[52] **U.S. Cl.** ..... **D14/230**

[58] **Field of Search** ..... D14/147-148, D14/230-238, 299; 343/700 R, 701-702, 761, 840-841, 850, 857-858, 860, 872-875, 878, 889, 906-908, 888-890, 892, 896, 898-901, 912, 914

[56] **References Cited**

**U.S. PATENT DOCUMENTS**

D. 230,990	3/1974	Scott et al.	.....	D14/230
D. 237,627	11/1975	Middlemark	.....	D14/236
D. 259,115	5/1981	Steinhofer et al.	.....	D14/86
D. 327,691	7/1992	Ogawa et al.	.....	D14/230

D. 338,206	8/1993	Sawaguchi et al.	.....	D14/230
D. 364,624	11/1995	Fenton et al.	.....	D14/234
D. 367,481	2/1996	Bacnik	.....	D14/230
3,757,698	9/1973	Jacobsen	.....	343/872
4,804,972	2/1989	Schudel	.....	343/840

*Primary Examiner*—Ruth McInroy  
*Attorney, Agent, or Firm*—Henry D. Coleman; R. Neil Sudol

[57] **CLAIM**

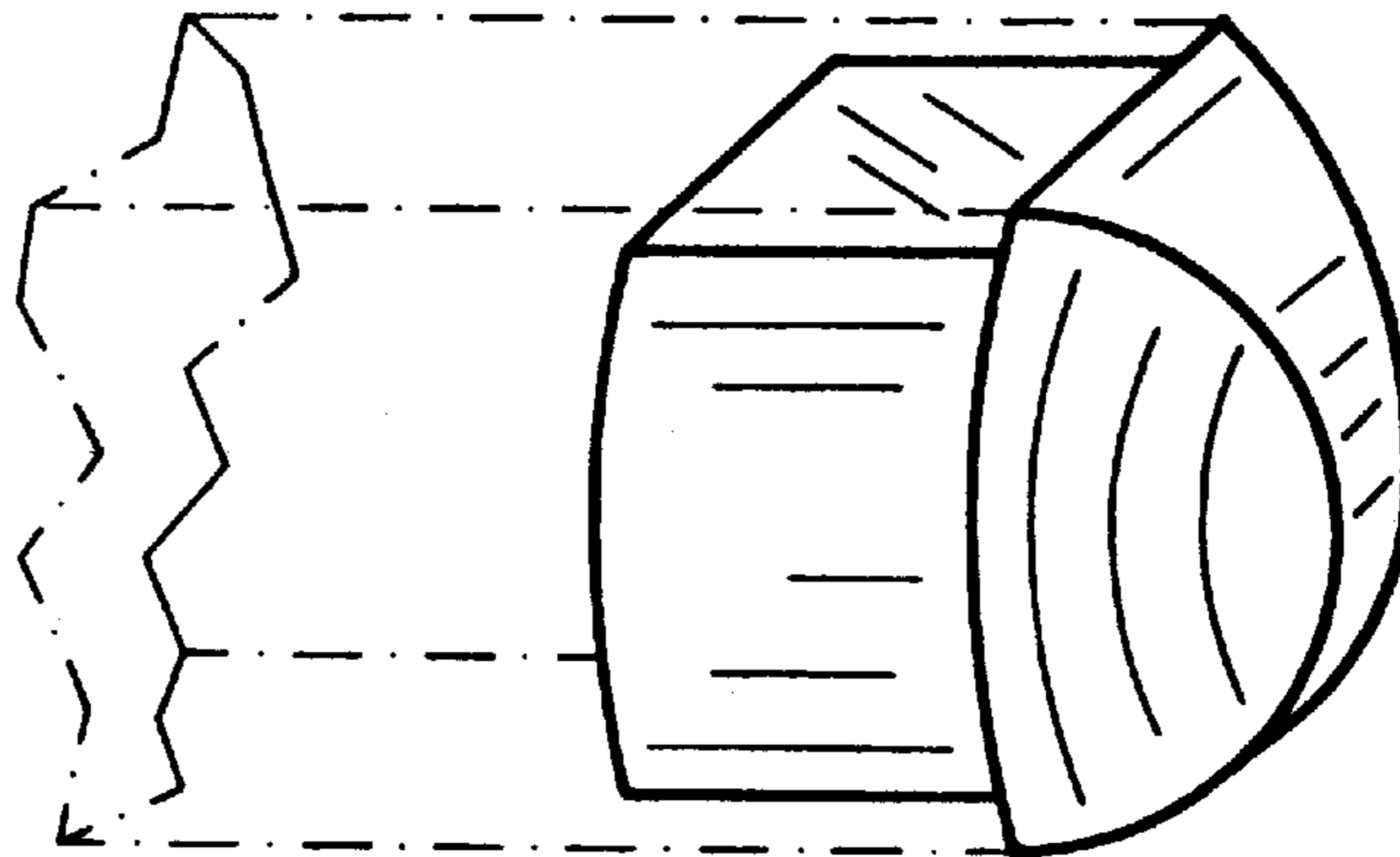
The ornamental design for the antenna casing end cap, as shown and described.

**DESCRIPTION**

FIG. 1 is a top, front and right side perspective view of an antenna casing end cap showing our new design; FIG. 2 is a front elevational view thereof; FIG. 3 is a rear side elevational view thereof; FIG. 4 is a left side elevational view thereof; FIG. 5 is a right side elevational view thereof; FIG. 6 is a top plan view thereof; and, FIG. 7 is a bottom plan view thereof.

The antenna casing shown in broken lines in FIGS. 1-3 is for illustrative purposes only and forms no part of the claimed design.

**1 Claim, 1 Drawing Sheet**



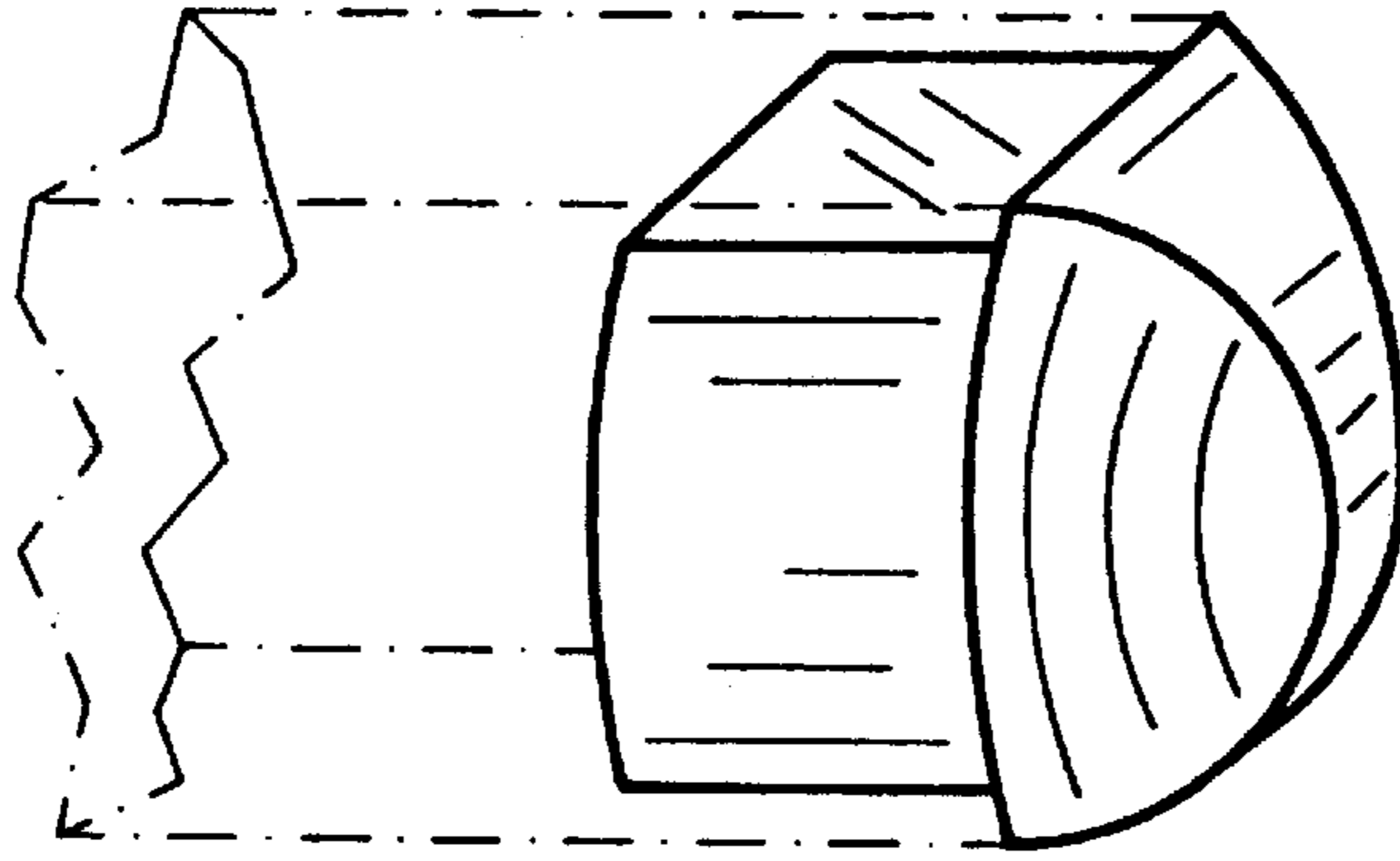


FIG. 1

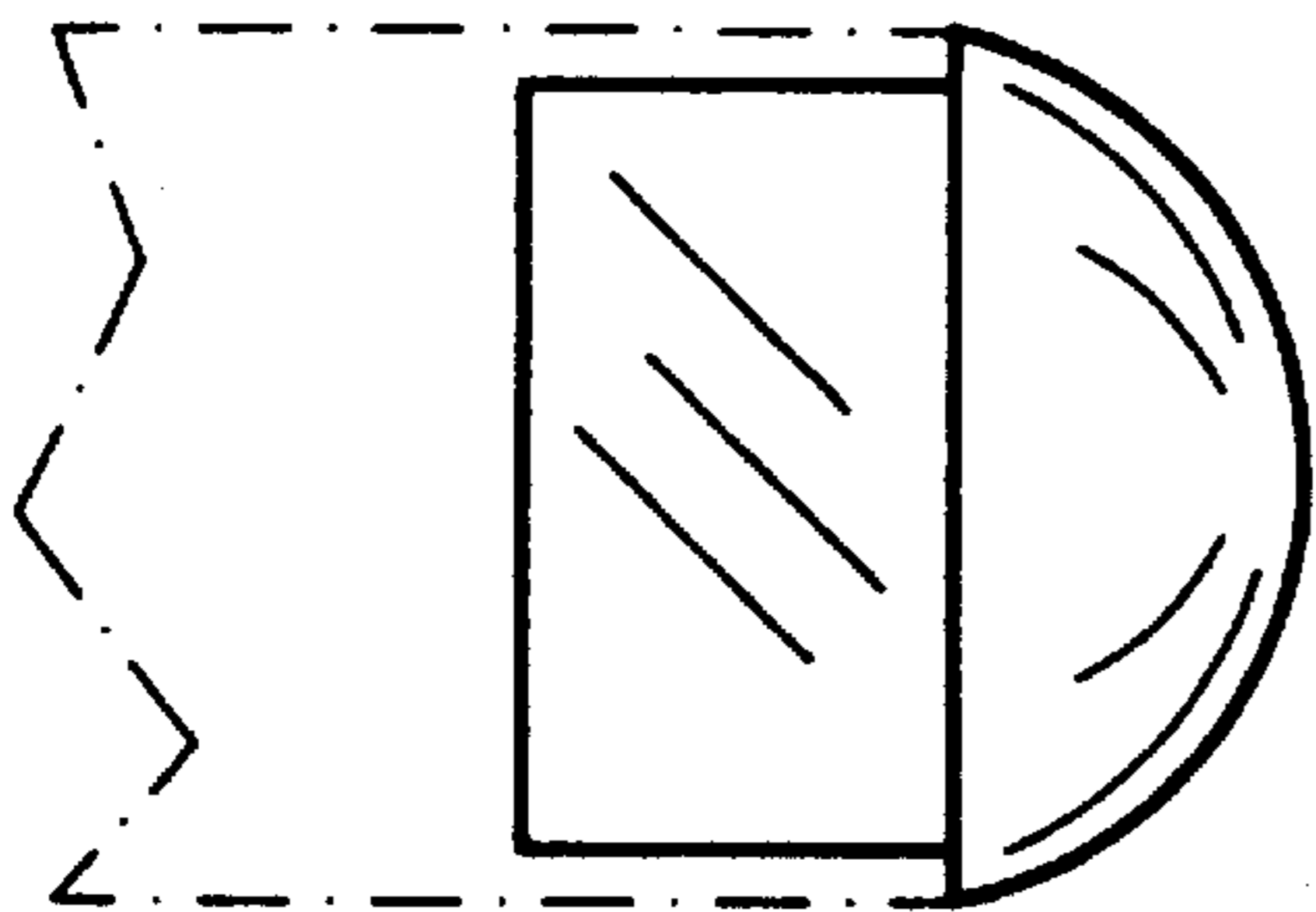


FIG. 2

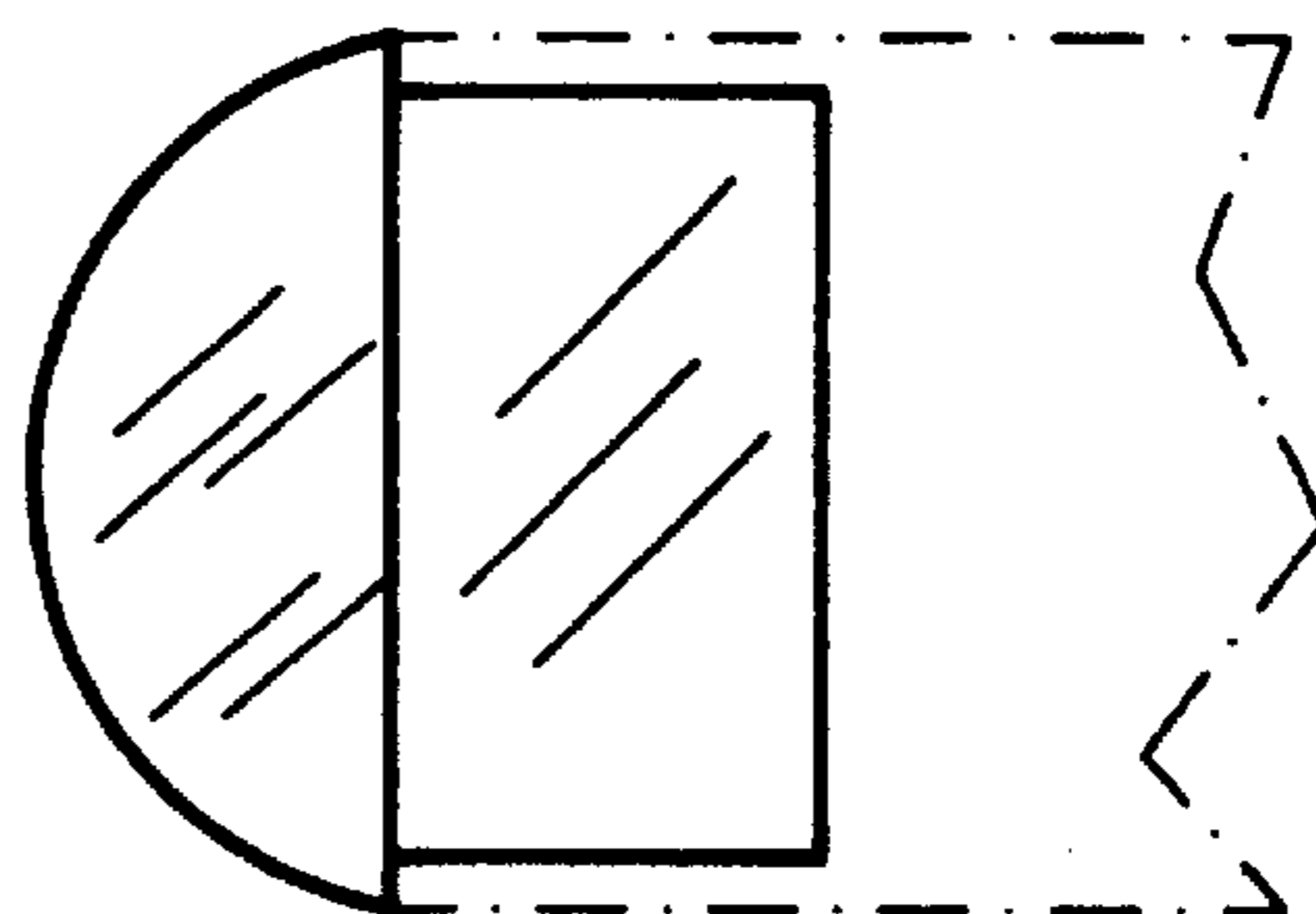


FIG. 3

FIG. 4

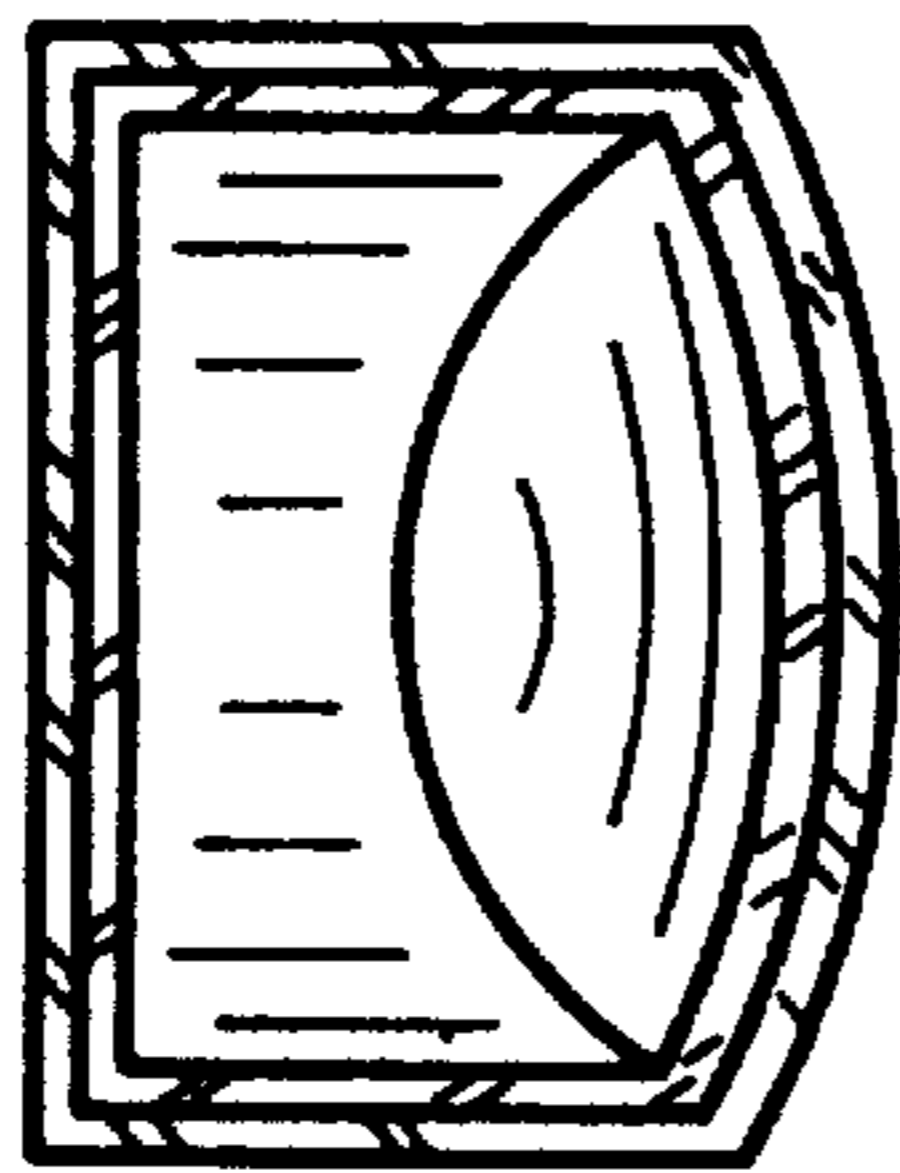


FIG. 5

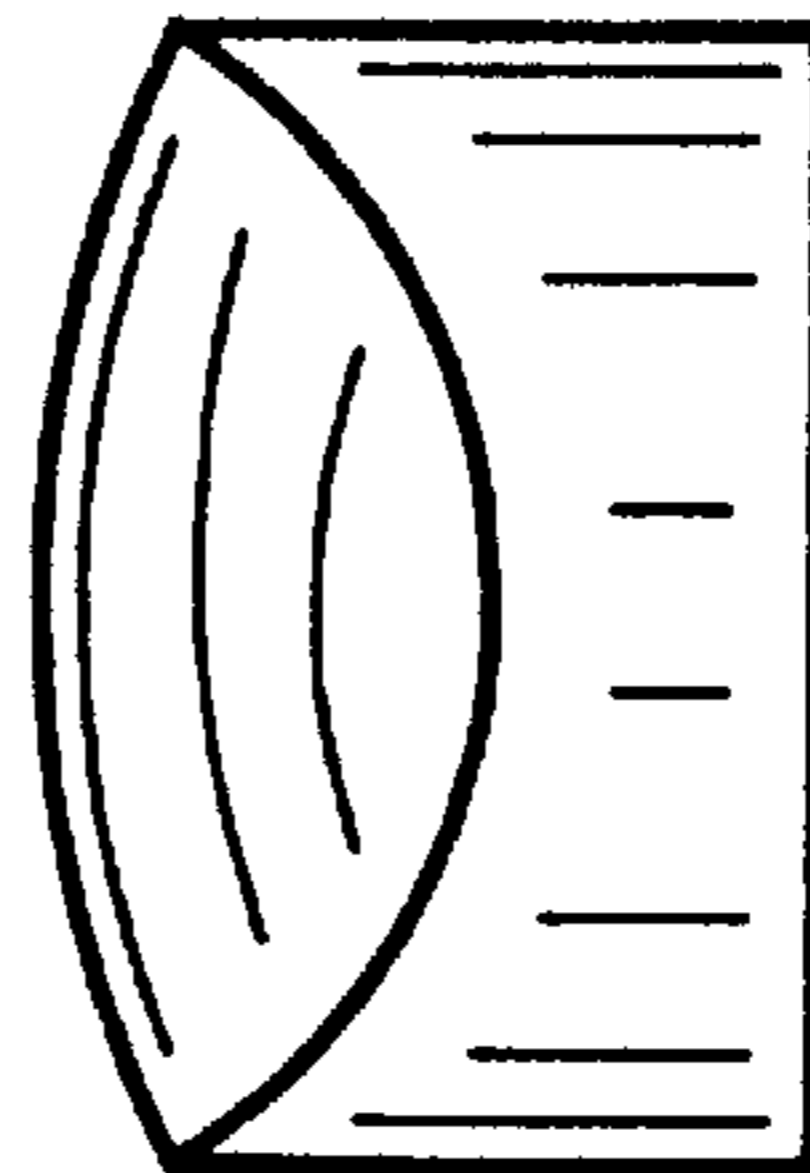


FIG. 6

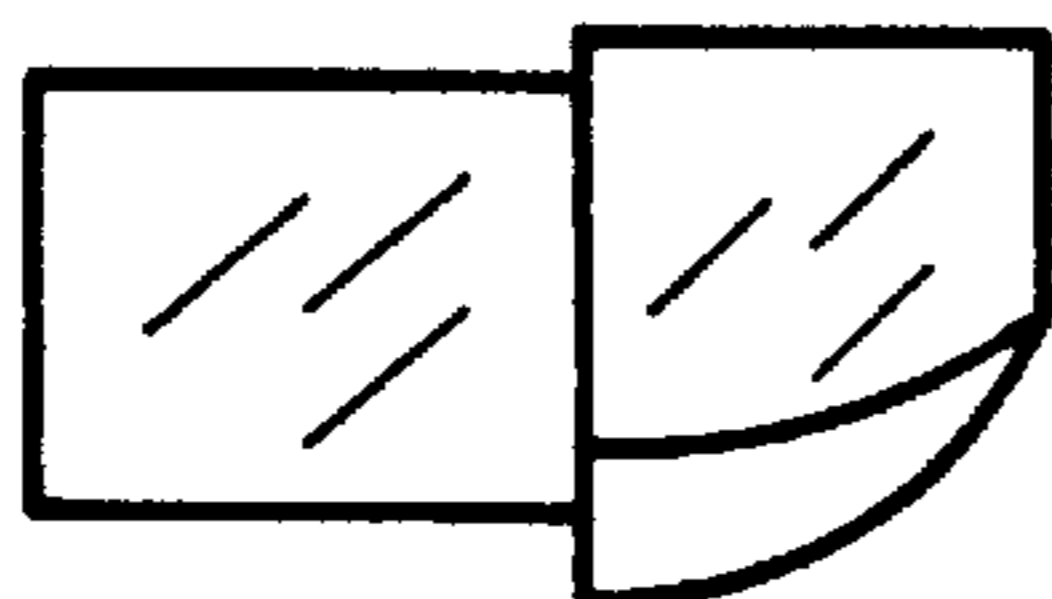


FIG. 7

