



US00D400875S

United States Patent [19]

Soto et al.

[11] Patent Number: **Des. 400,875**

[45] Date of Patent: ****Nov. 10, 1998**

[54] **ISDN TEST SET**

[75] Inventors: **Roy Lujan Soto**, Moorpark; **Linda L. Hathorn**, Camarillo; **Fernando Antonio Montijo**, Newport Beach; **Aaron Ross London**, Huntington Beach, all of Calif.; **Joseph Edward Gleason**, Eagan, Mich.; **Edward John Zoiss**, Moorpark, Calif.

[73] Assignee: **Harris Corporation**, Melbourne, Fla.

[**] Term: **14 Years**

[21] Appl. No.: **61,617**

[22] Filed: **Oct. 28, 1996**

Related U.S. Application Data

[63] Continuation-in-part of Ser. No. 53,246, Apr. 18, 1996, abandoned.

[51] **LOC (6) Cl.** **14-03**

[52] **U.S. Cl.** **D14/147**

[58] **Field of Search** D10/46, 75, 78;
D14/138, 147-148

[56] References Cited

U.S. PATENT DOCUMENTS

D. 352,028 11/1994 Siddoway D14/138

D. 376,145	12/1996	Hathorn	D14/147
D. 376,548	12/1996	Denby	D10/78
D. 384,063	9/1997	Salomita	D14/147
D. 391,253	2/1998	Meyer	D14/138
3,792,205	2/1974	O'Dea	179/175
4,736,411	4/1988	Chan	379/434 X
4,831,560	5/1989	Zaleski	324/73 X
5,664,015	9/1997	Ford	379/433
5,703,947	12/1997	Hino	379/433 X

Primary Examiner—Nelson C. Holtje
Attorney, Agent, or Firm—Harry M. Fleck

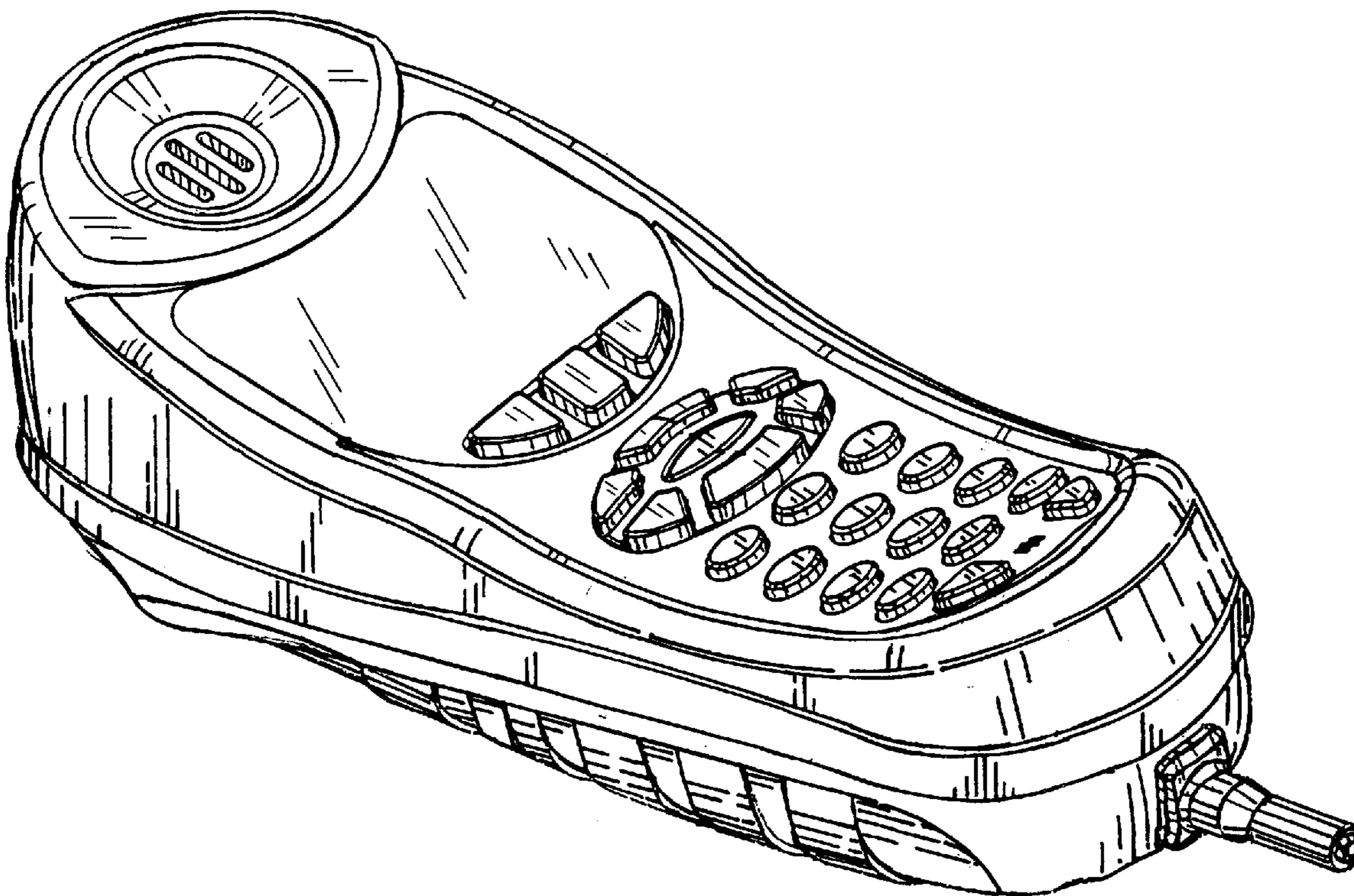
[57] CLAIM

We claim the ornamental design for ISDN test set, as shown.

DESCRIPTION

FIG. 1 is an isometric view of the ISDN test set of the present invention, looking from the front and left sides; FIG. 2 is an isometric view, looking from the back and left sides; FIG. 3 is a plane view of the front side; FIG. 4 is an elevational view of the right side; FIG. 5 is an elevational view of the left side; FIG. 6 is a plane view of the back side; FIG. 7 is an elevational view of the bottom end; and, FIG. 8 is an elevational view of the top end.

1 Claim, 4 Drawing Sheets



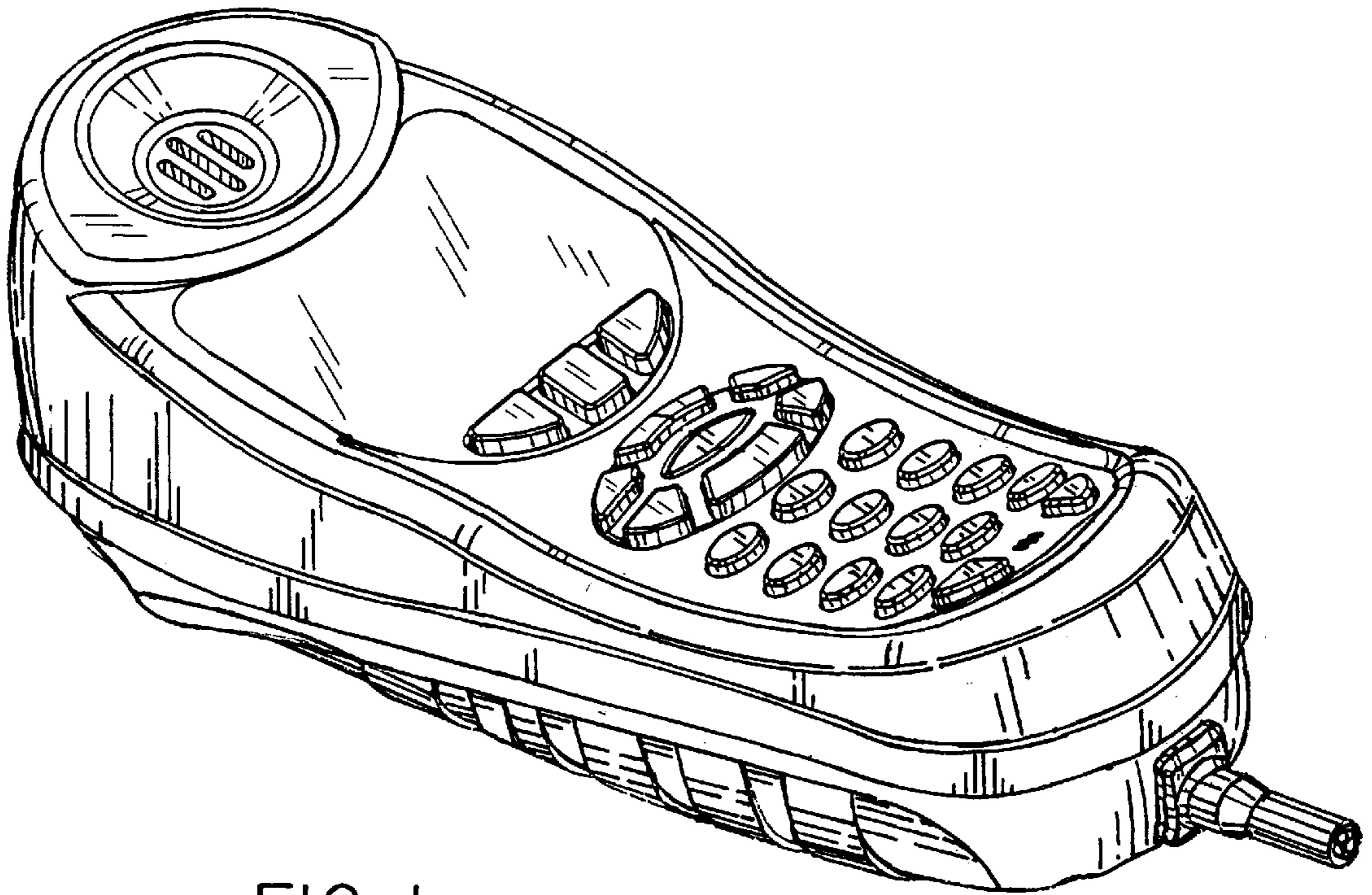


FIG. 1

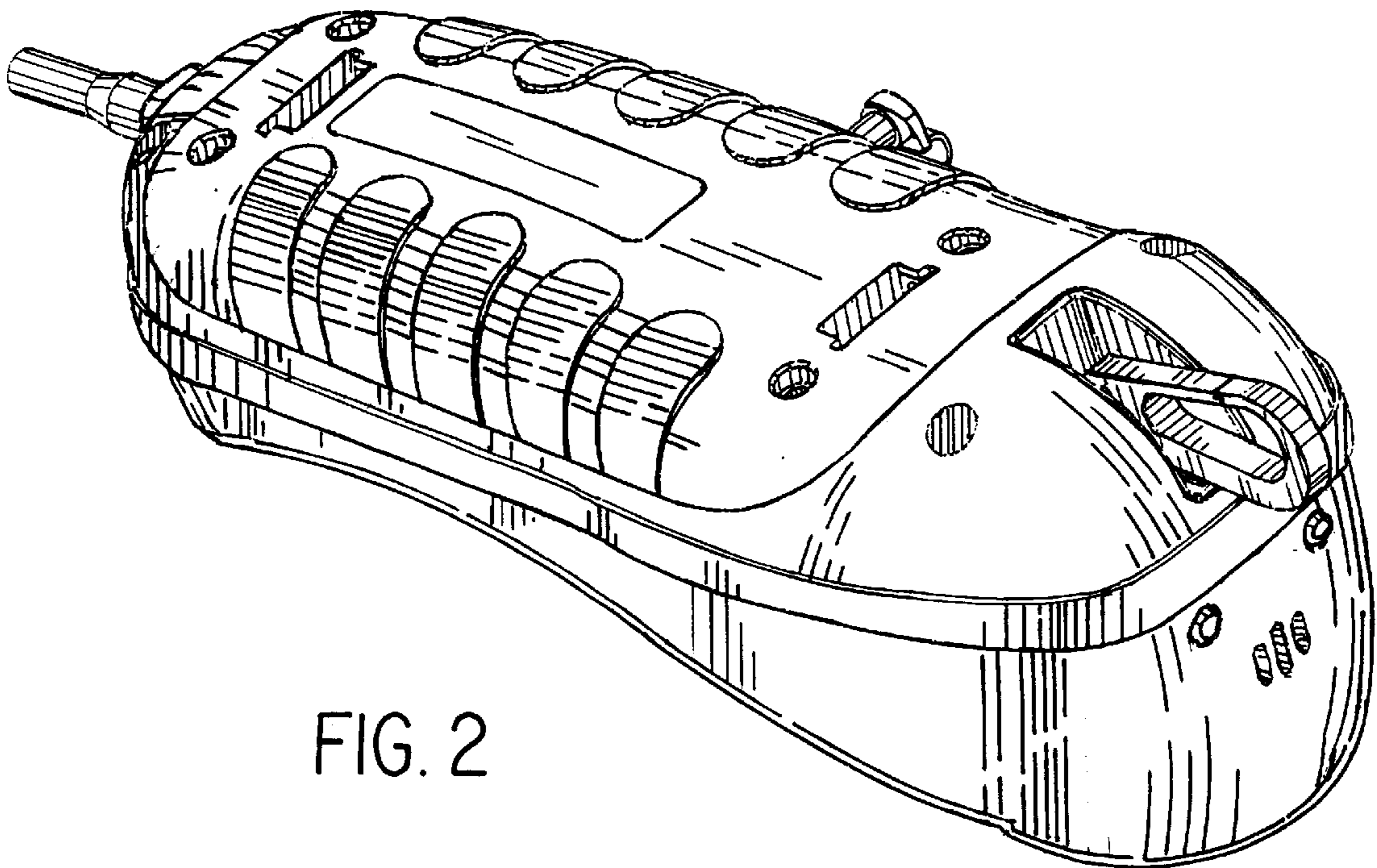


FIG. 2

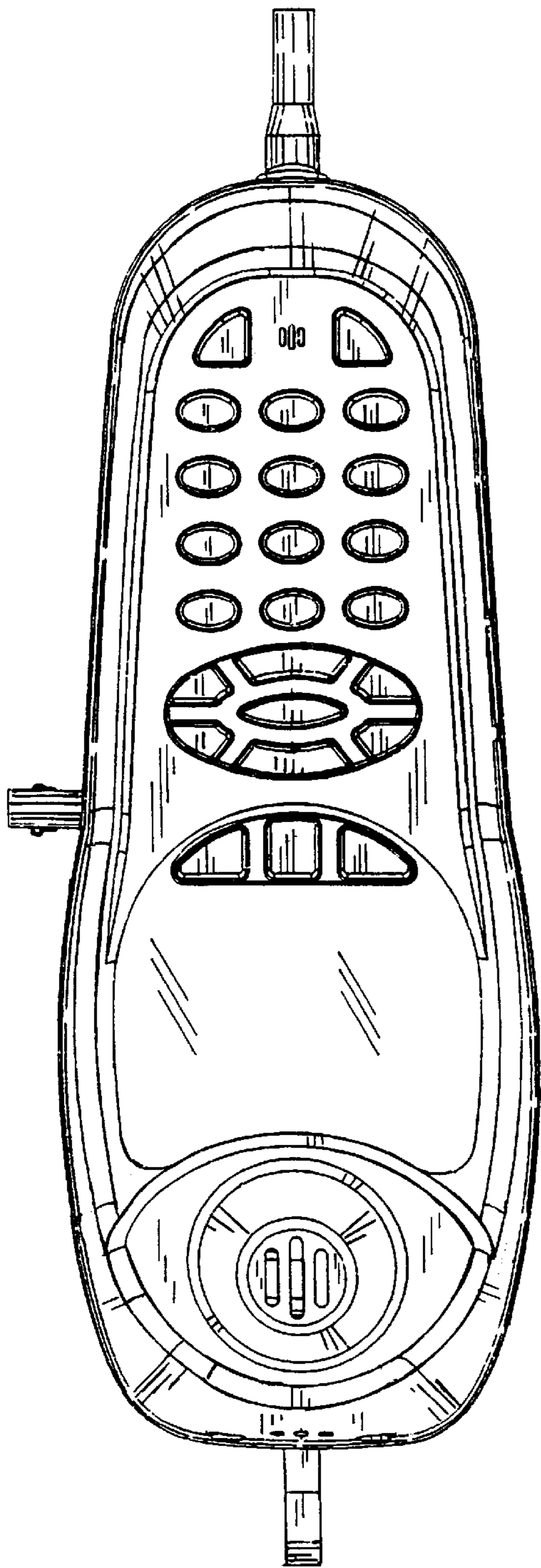


FIG. 3

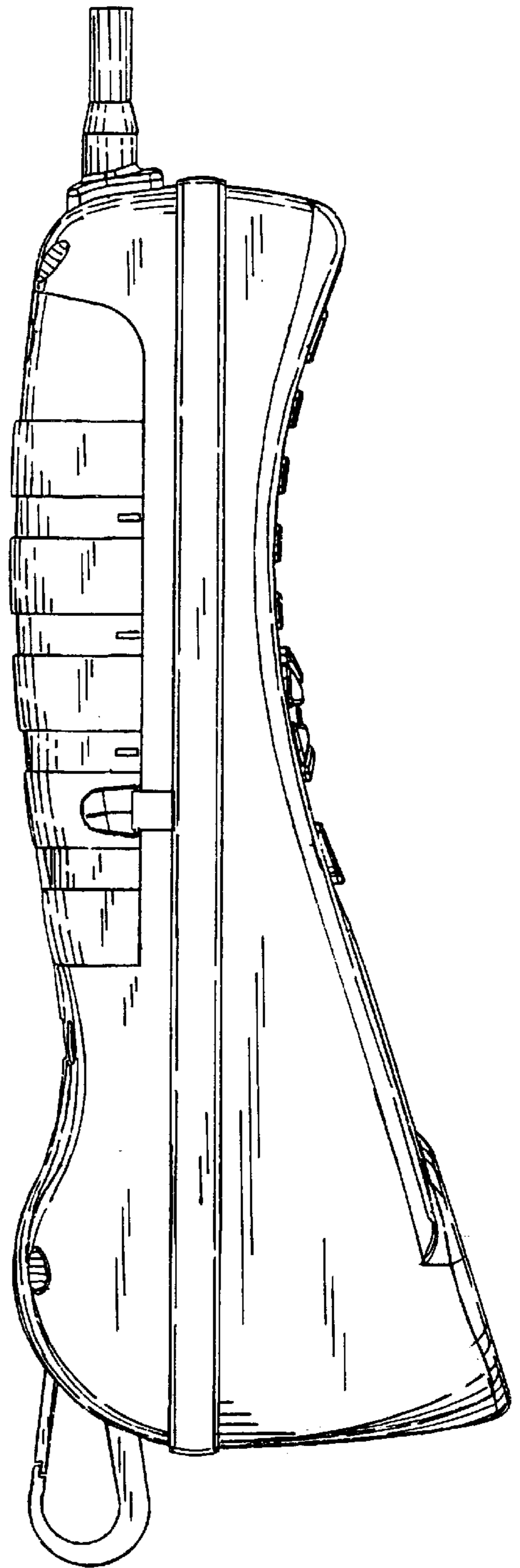


FIG. 4

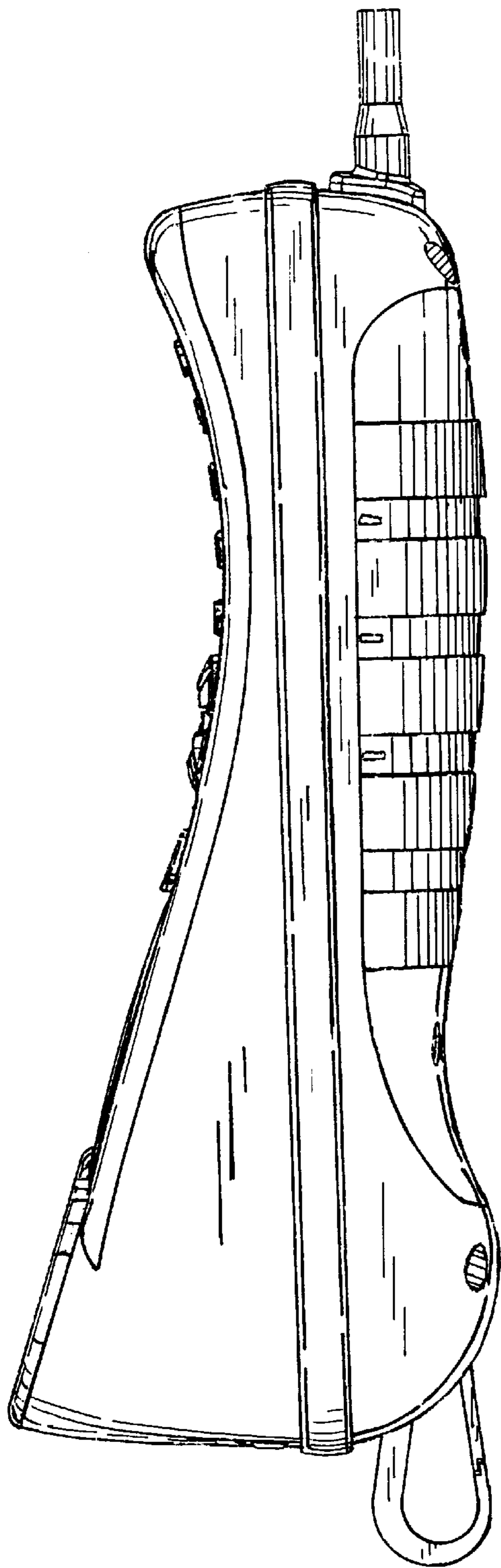


FIG. 5

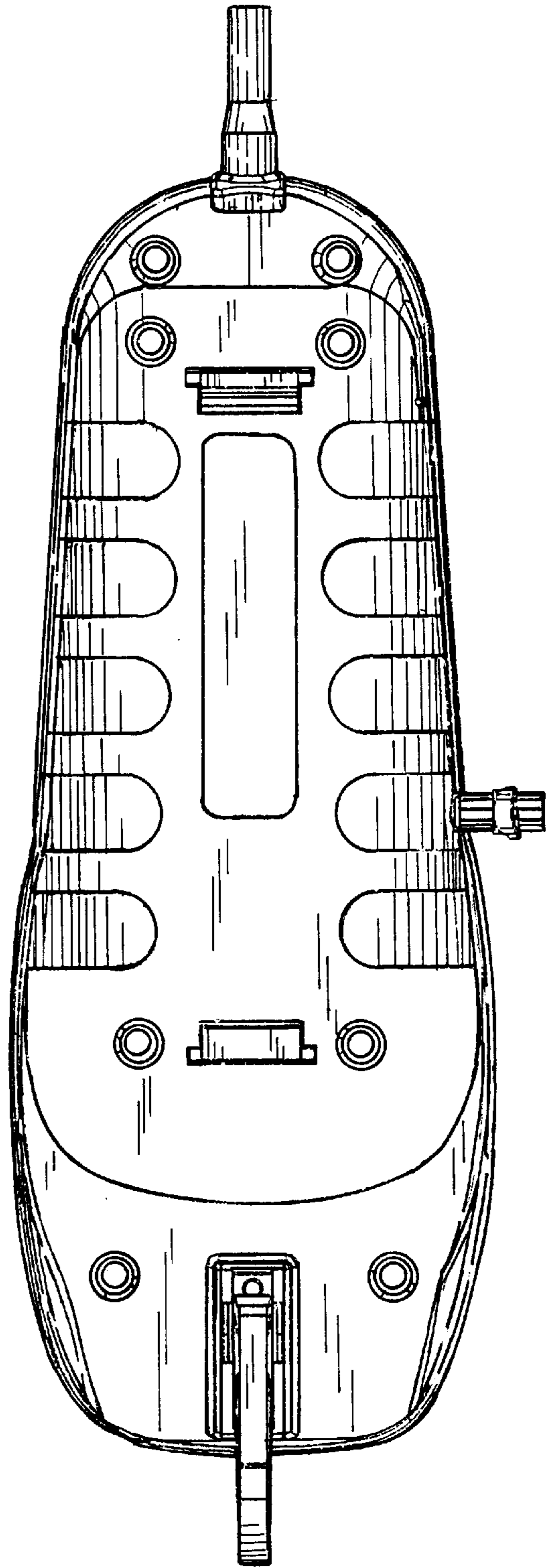


FIG. 6

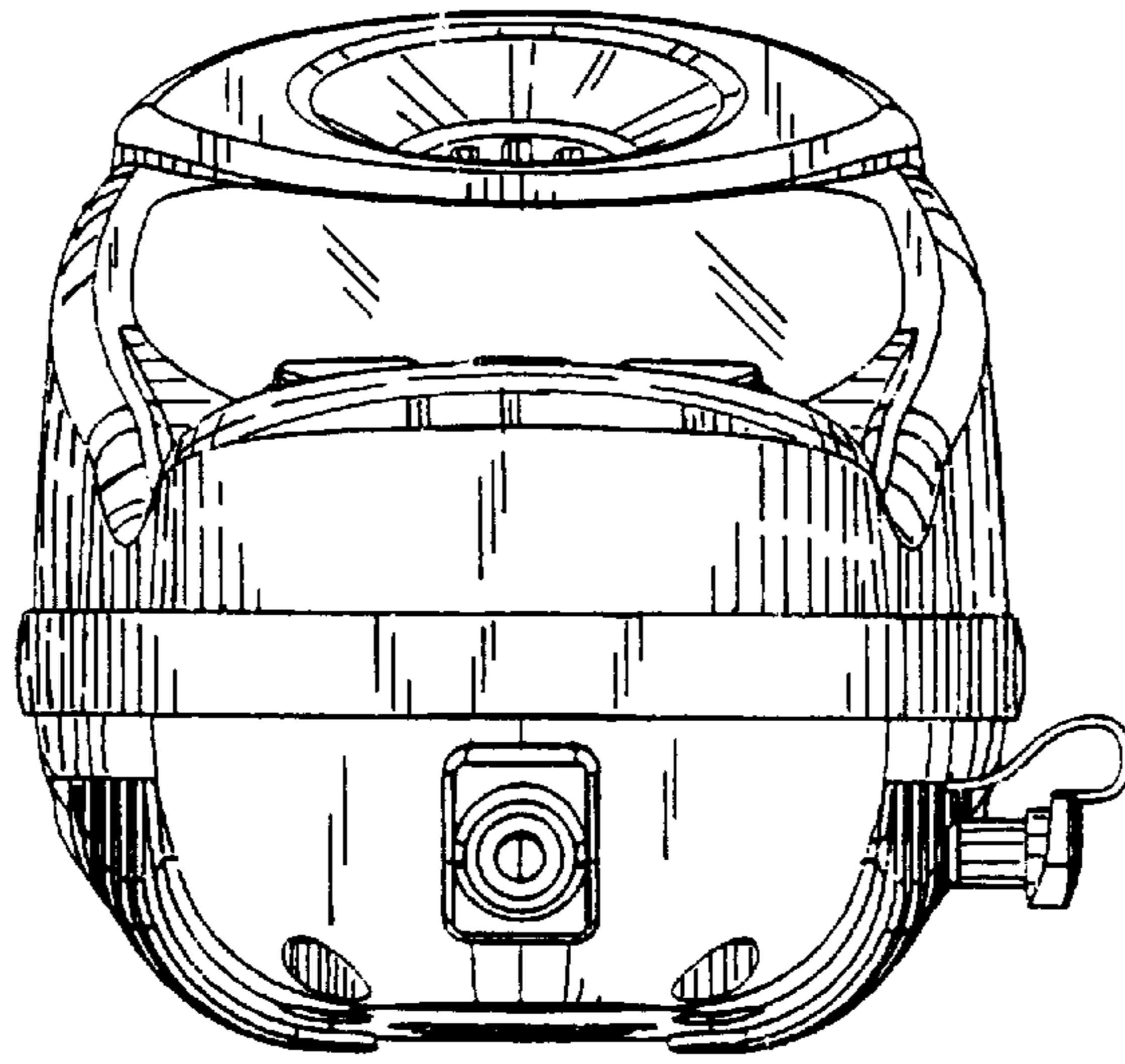


FIG. 7

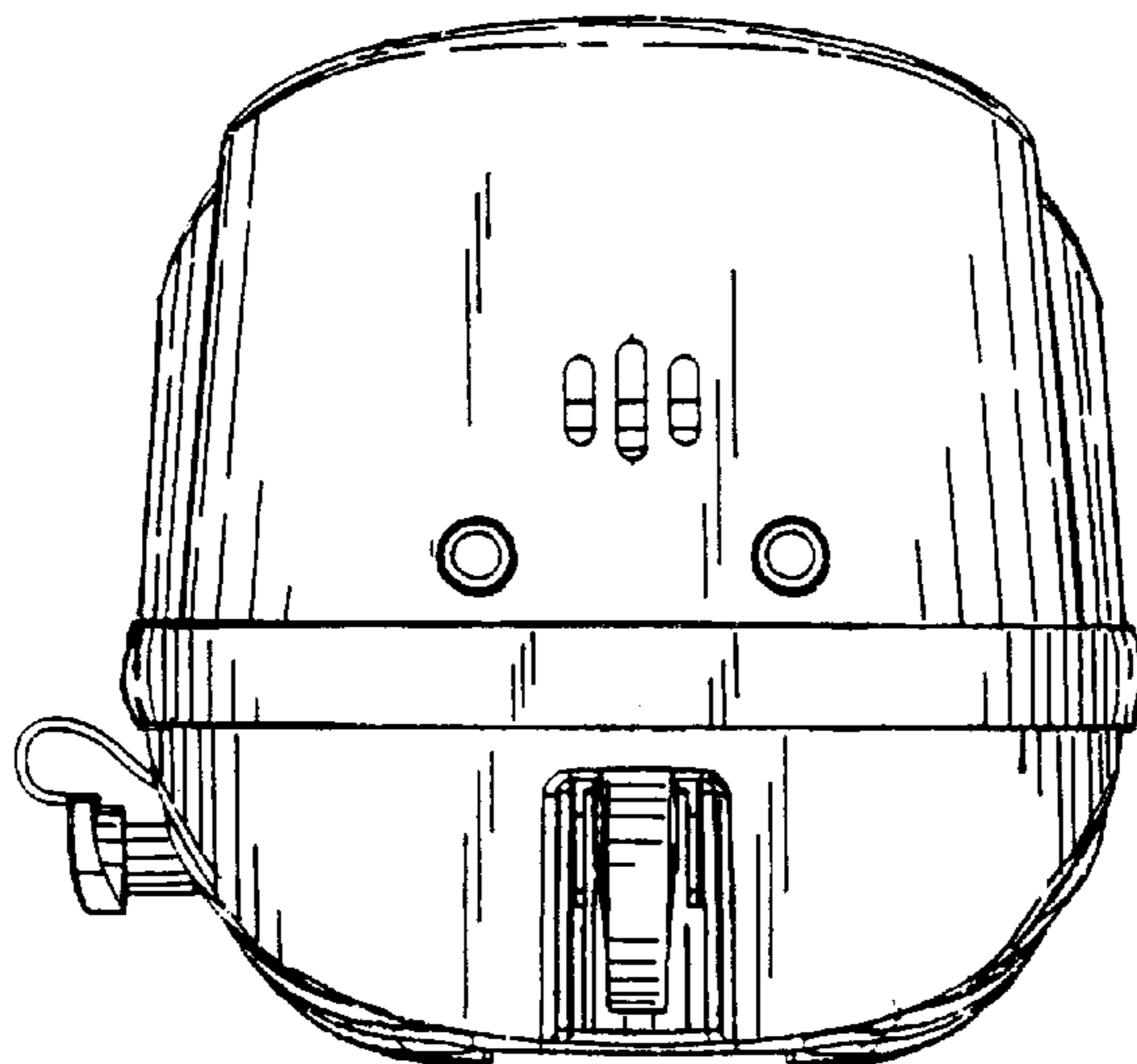


FIG. 8