



US00D400869S

United States Patent [19]

Mannix et al.

[11] Patent Number: **Des. 400,869**

[45] Date of Patent: ****Nov. 10, 1998**

[54] **PORTABLE COMPUTER**

[75] Inventors: **Sean Mannix**, Hopewell, N.J.; **Timothy J. Conner**, Newtown; **David G. Reed**, Langhorne, both of Pa.

[73] Assignee: **TronText, Inc.**, Princeton, N.J.

[**] Term: **14 Years**

[21] Appl. No.: **78,850**

[22] Filed: **Oct. 28, 1997**

[51] **LOC (6) Cl.** **14-02**

[52] **U.S. Cl.** **D14/106; D14/100**

[58] **Field of Search** D14/100, 106, D14/115; D18/1, 7; 178/18, 19; 235/145 A, 145 R; 345/156, 168, 169, 172, 273; 364/708.1; 361/680-686

D. 377,929 2/1997 Sekino et al. D14/100
D. 380,202 6/1997 Matthes D14/100
D. 381,323 7/1997 Hartman D14/113

Primary Examiner—Freda Nunn
Attorney, Agent, or Firm—Norman E. Lehrer

[57] CLAIM

The ornamental design for a portable computer, as shown and described.

DESCRIPTION

FIG. 1 is a top, front, right side perspective view of a portable computer showing our new design; FIG. 2 is a bottom, rear, right side perspective view thereof; FIG. 3 is a left side elevational view thereof; and, FIG. 4 is a view similar to FIG. 1 but showing the same in an open position.

[56] References Cited

U.S. PATENT DOCUMENTS

D. 360,194 7/1995 Shudo D14/100

1 Claim, 2 Drawing Sheets

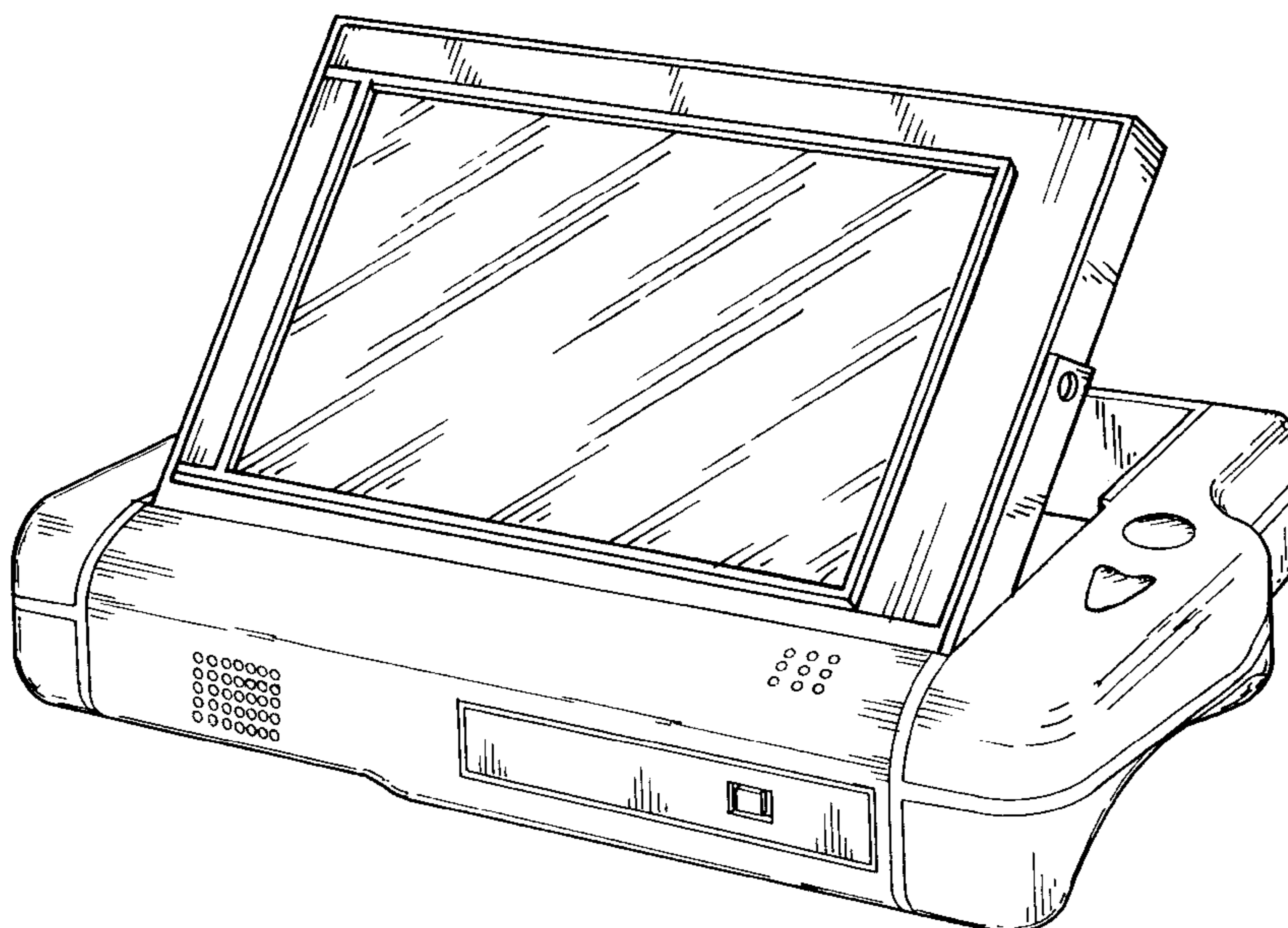
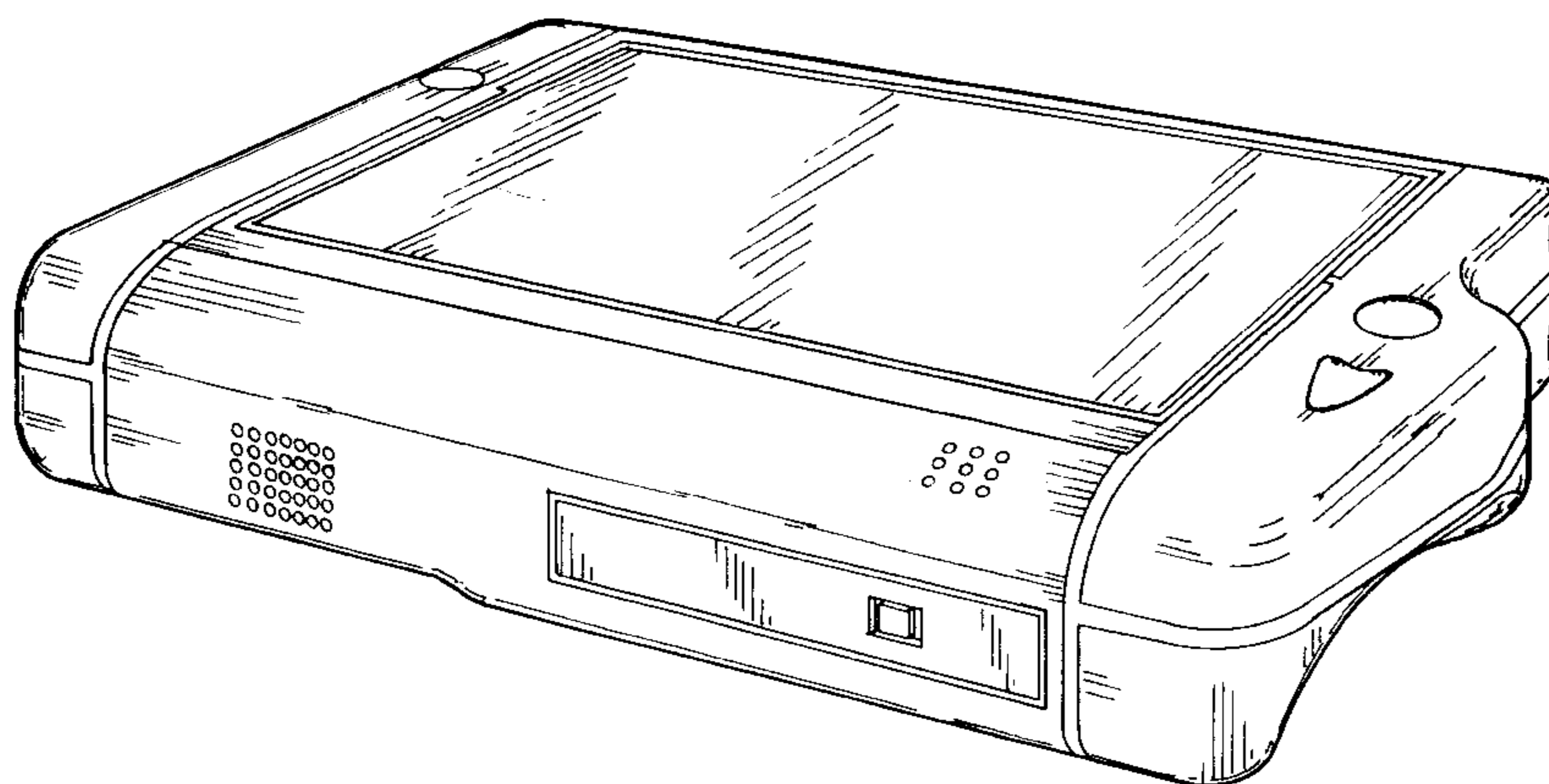


Fig. 1

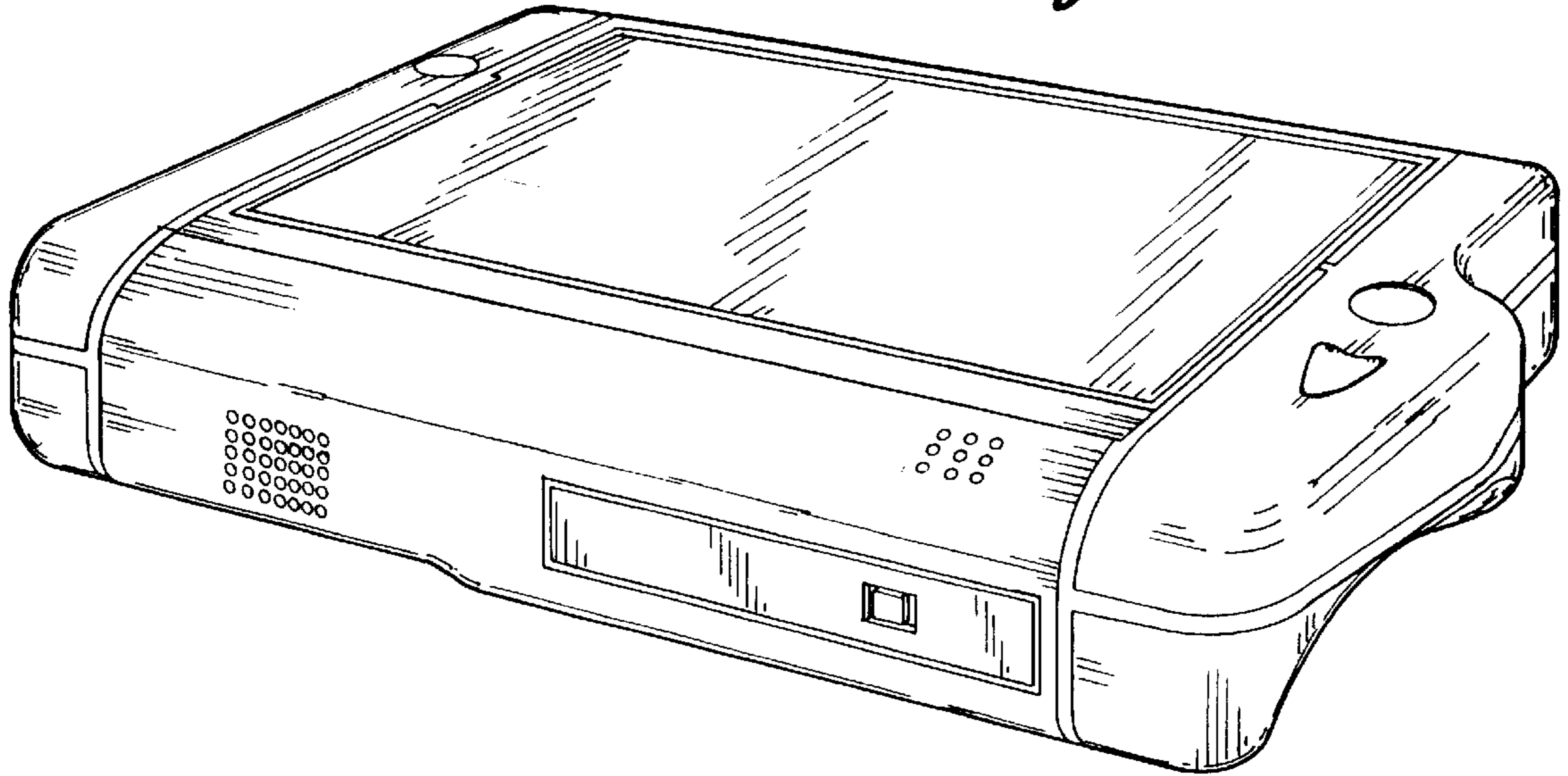


Fig. 2

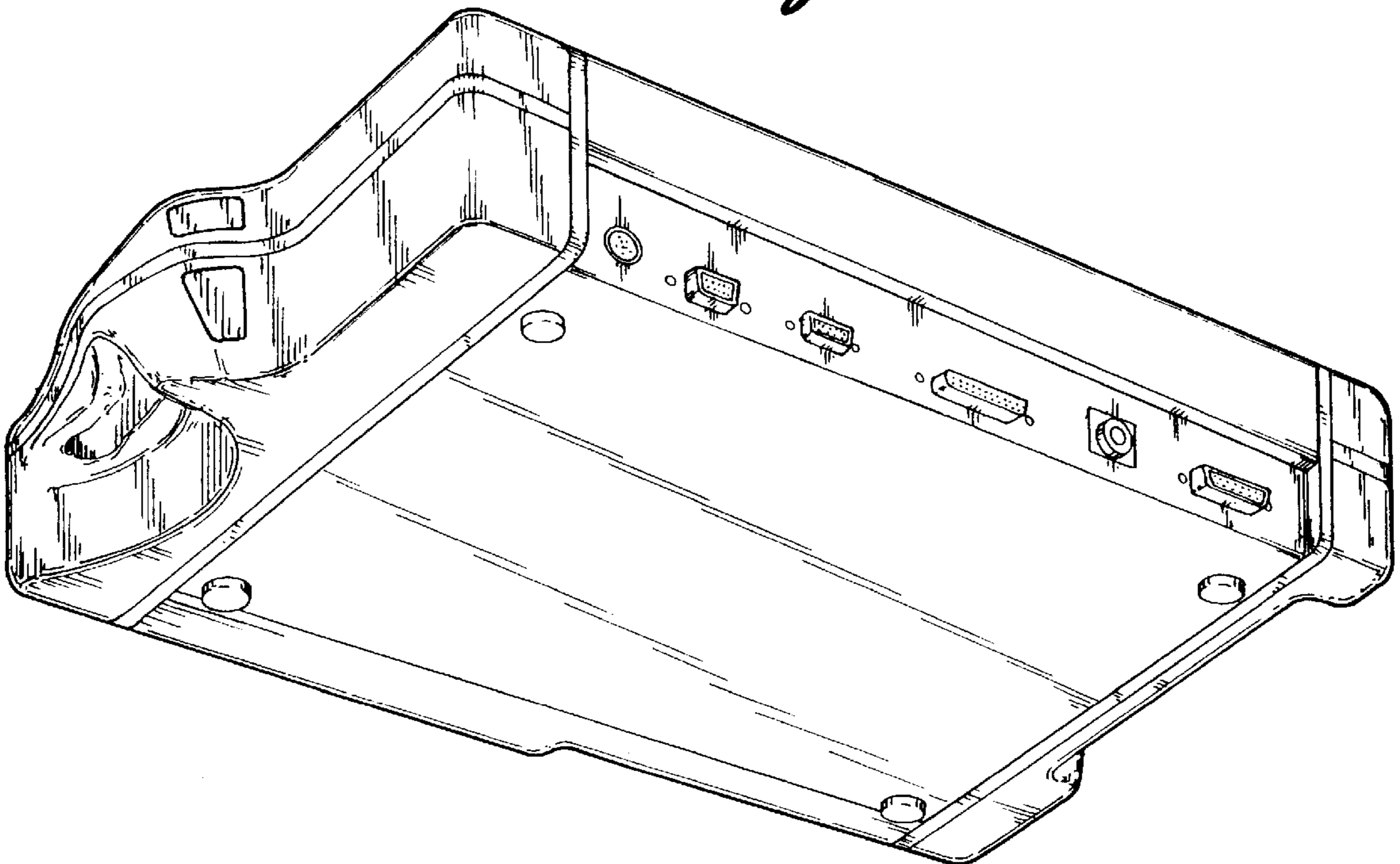


Fig. 3

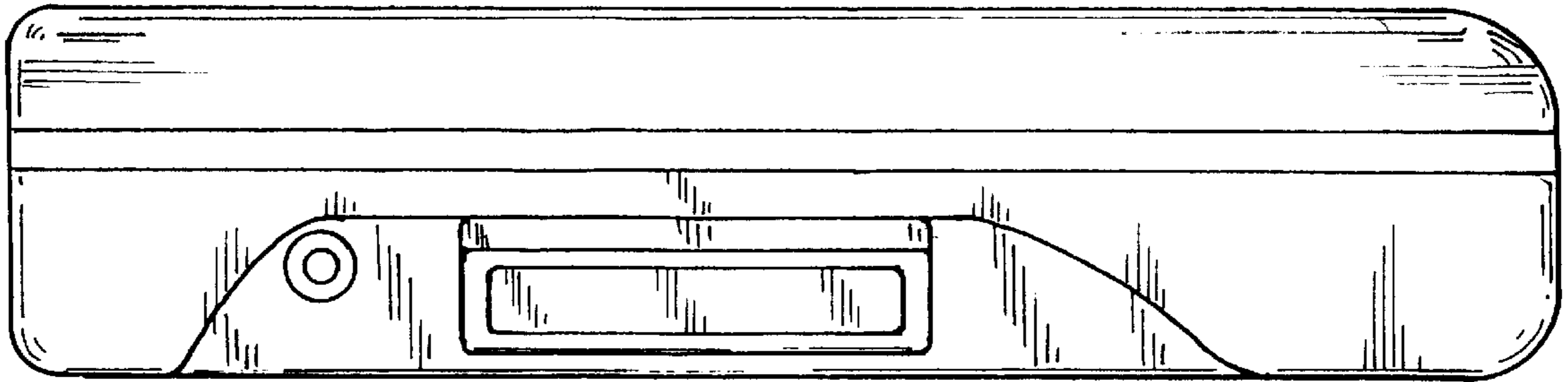


Fig. 4

