



US00D400865S

United States Patent [19]
Korhonen

[11] **Patent Number: Des. 400,865**

[45] **Date of Patent: **Nov. 10, 1998**

[54] **HOLDER FOR ELECTRONICS AND INSTRUMENTATION ENCLOSURE**

[75] Inventor: **Olli Korhonen**, Espoo, Finland

[73] Assignee: **Fibox Oy Ab**, Jorvas, Finland

[**] Term: **14 Years**

[21] Appl. No.: **77,475**

[22] Filed: **Oct. 6, 1997**

[30] **Foreign Application Priority Data**

Apr. 7, 1997 [FI] Finland 249/97

[51] **LOC (6) Cl.** **13-03**

[52] **U.S. Cl.** **D13/173; D10/103; D14/217; D8/354**

[58] **Field of Search** D10/46, 74, 75, D10/103; D13/184, 173, 139, 199, 162, 164; D14/100, 217, 299; 361/679, 825, 748, 807, 752, 809, 810, 665, 666; D8/349, 354, 364, 377, 499; 248/904

[56] **References Cited**

U.S. PATENT DOCUMENTS

D. 276,428 11/1984 Burbank et al. D13/173

Primary Examiner—Antoine Duval Davis

Attorney, Agent, or Firm—Finnegan, Henderson, Farabow, Garrett & Dunner

[57] **CLAIM**

The ornamental design for a holder for electronics and instrumentation enclosure, as shown and described.

DESCRIPTION

FIG. 1 is a perspective top and front view of a holder for

electronics and instrumentation enclosure showing my new design;

FIG. 2 is a perspective bottom and rear view thereof;

FIG. 3 is a top view thereof;

FIG. 4 is a rear view thereof;

FIG. 5 is a bottom view thereof;

FIG. 6 is a front view thereof;

FIG. 7 is a right side view thereof;

FIG. 8 is a left side view thereof;

FIG. 9 is a perspective top and front view of the base portion of the holder for electronics and instrumentation enclosure from FIG. 1;

FIG. 10 is a perspective bottom and rear view thereof;

FIG. 11 is a top view thereof;

FIG. 12 is a rear view thereof;

FIG. 13 is a bottom view thereof;

FIG. 14 is a front view thereof;

FIG. 15 is a right side view thereof;

FIG. 16 is a left side view thereof;

FIG. 17 is a perspective top and front view of the hinge portion of the holder for electronics and instrumentation enclosure from FIG. 1;

FIG. 18 is a perspective bottom and rear view thereof;

FIG. 19 is a top view thereof;

FIG. 20 is a rear view thereof;

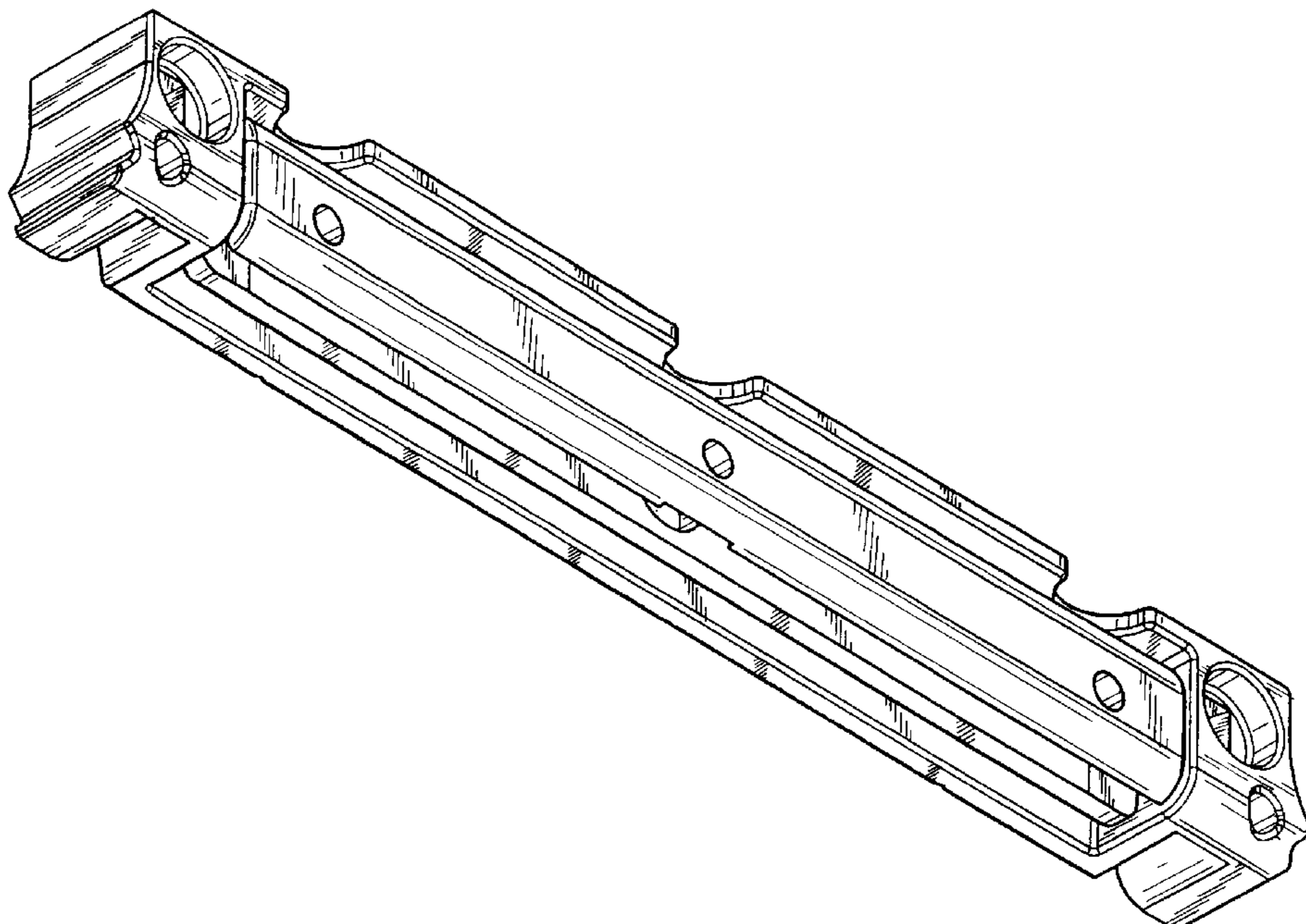
FIG. 21 is a bottom view thereof;

FIG. 22 is a front view thereof;

FIG. 23 is a right side view thereof; and,

FIG. 24 is a left side view thereof.

1 Claim, 9 Drawing Sheets



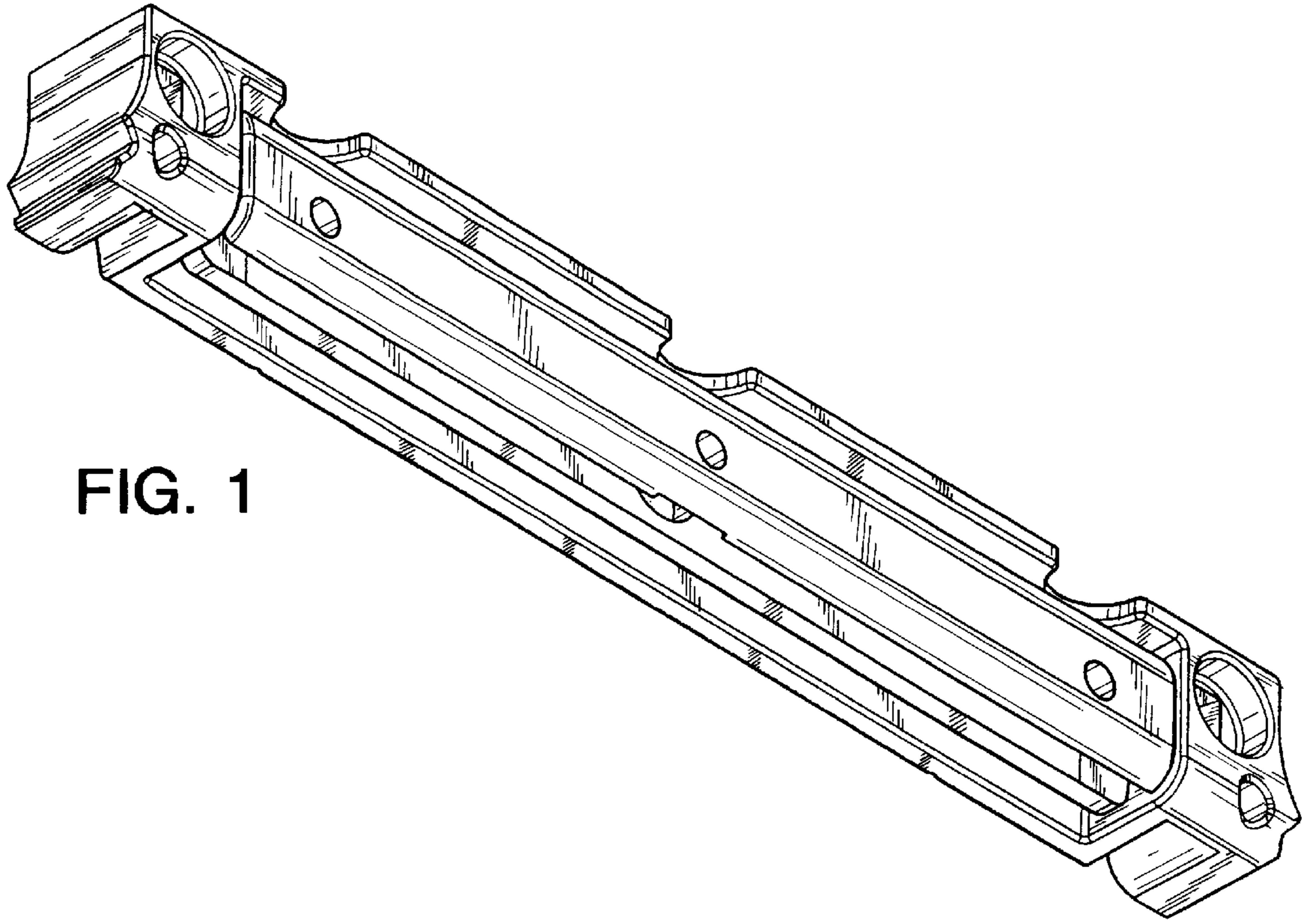


FIG. 1

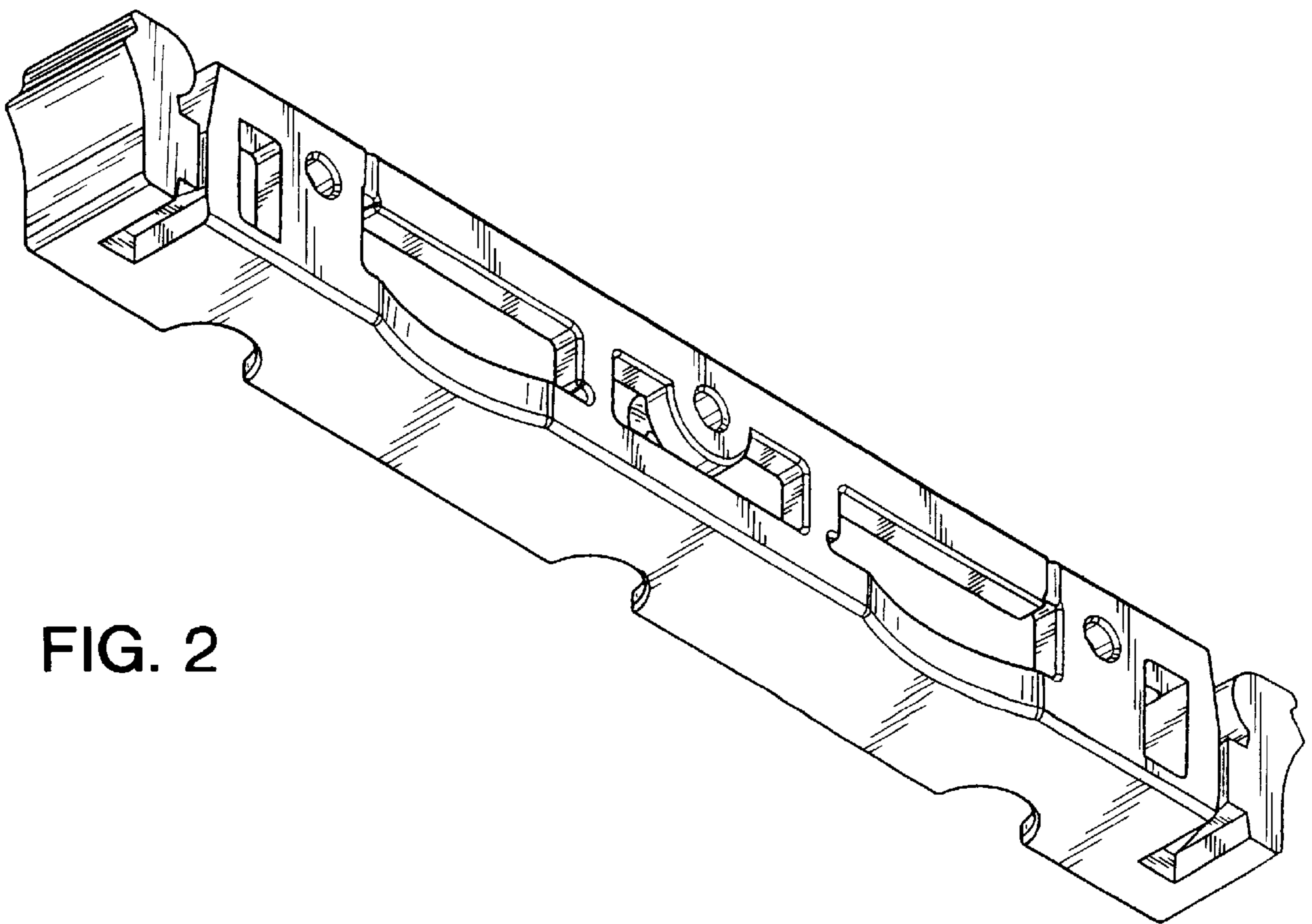


FIG. 2

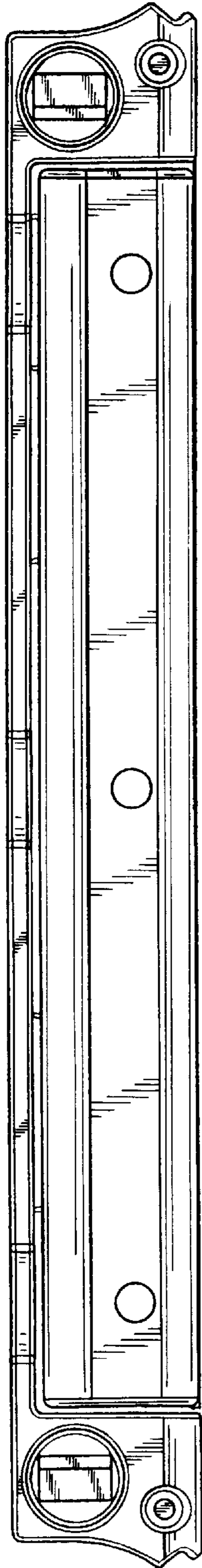


FIG. 3

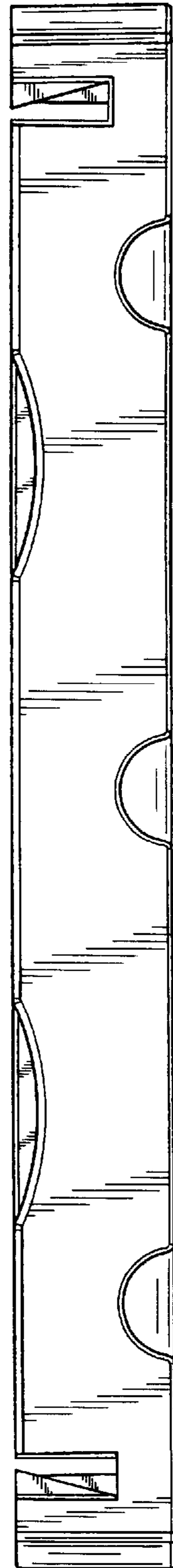


FIG. 4

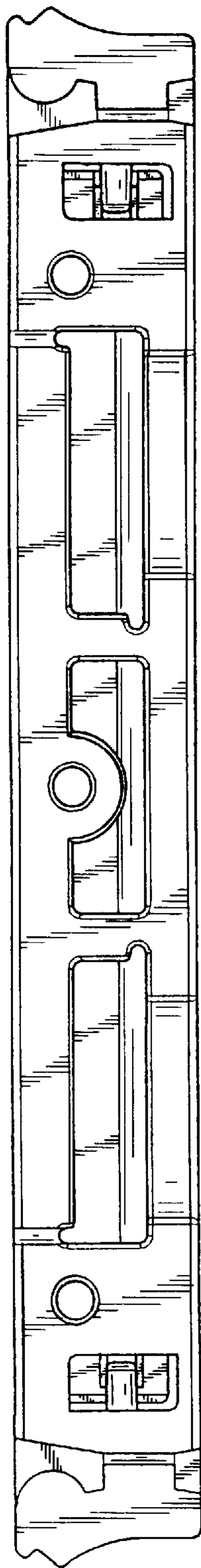


FIG. 5

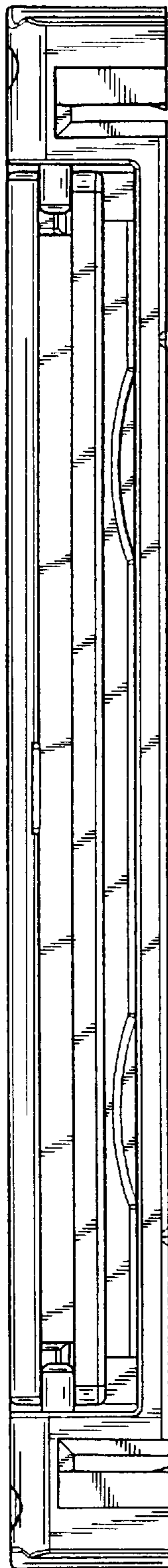


FIG. 6



FIG. 7

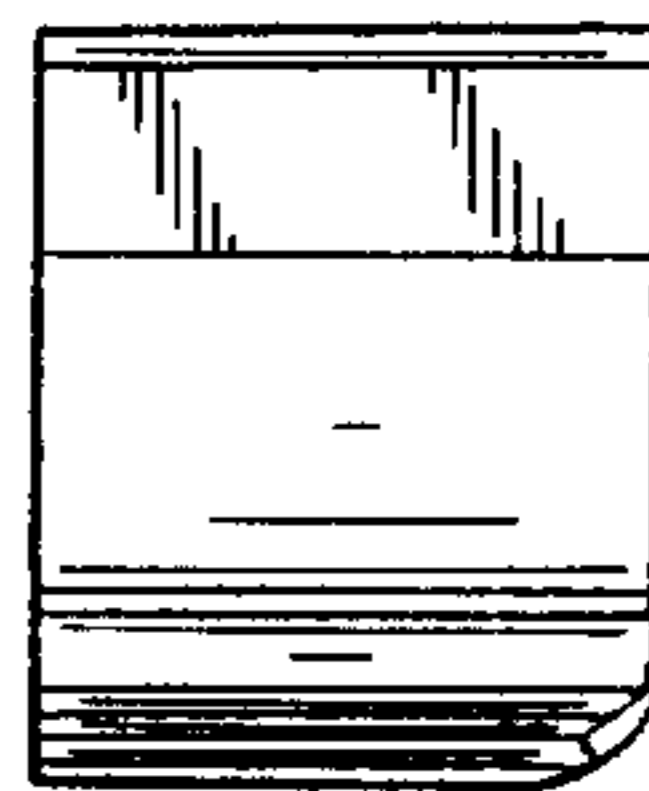


FIG. 8

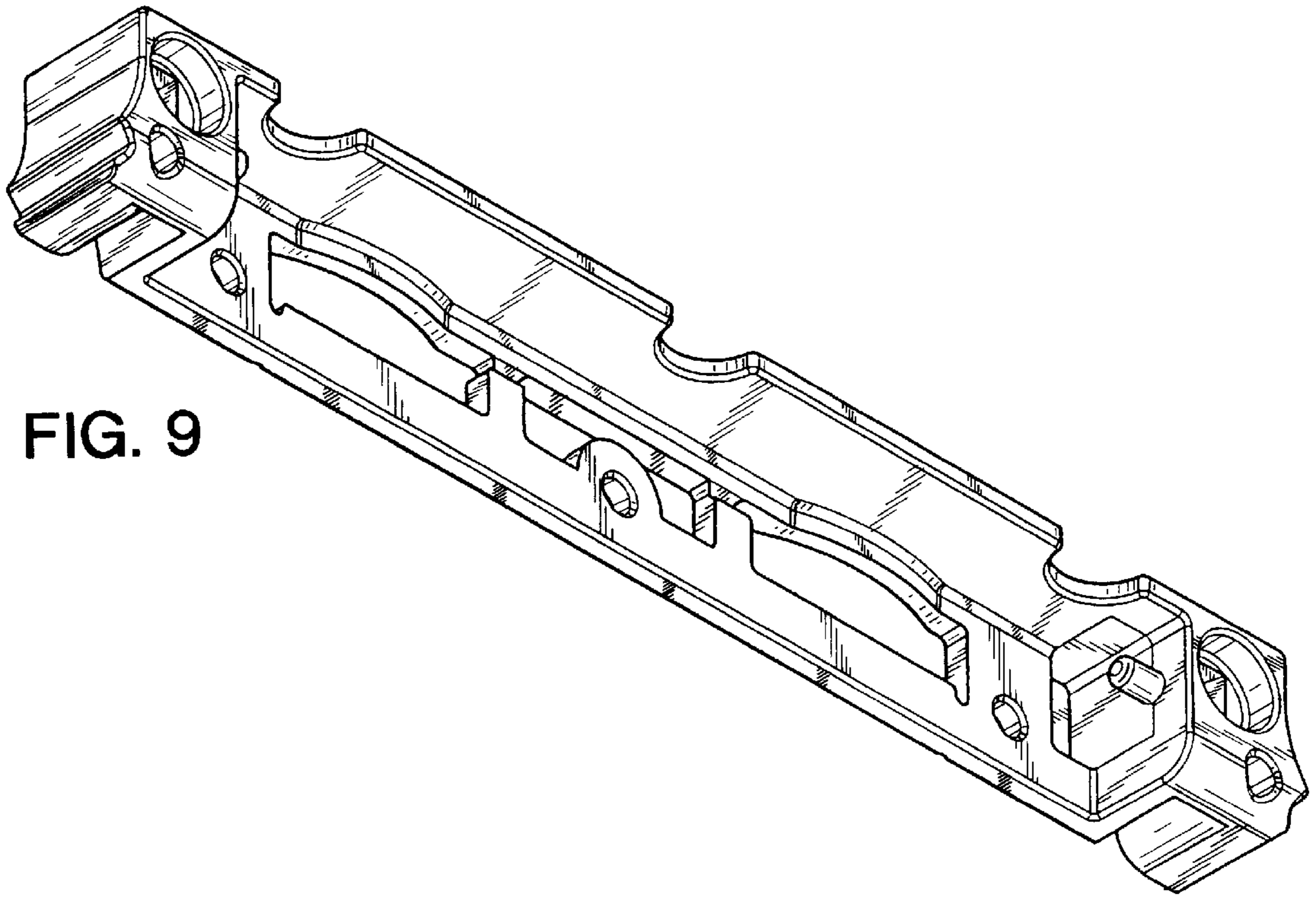


FIG. 9

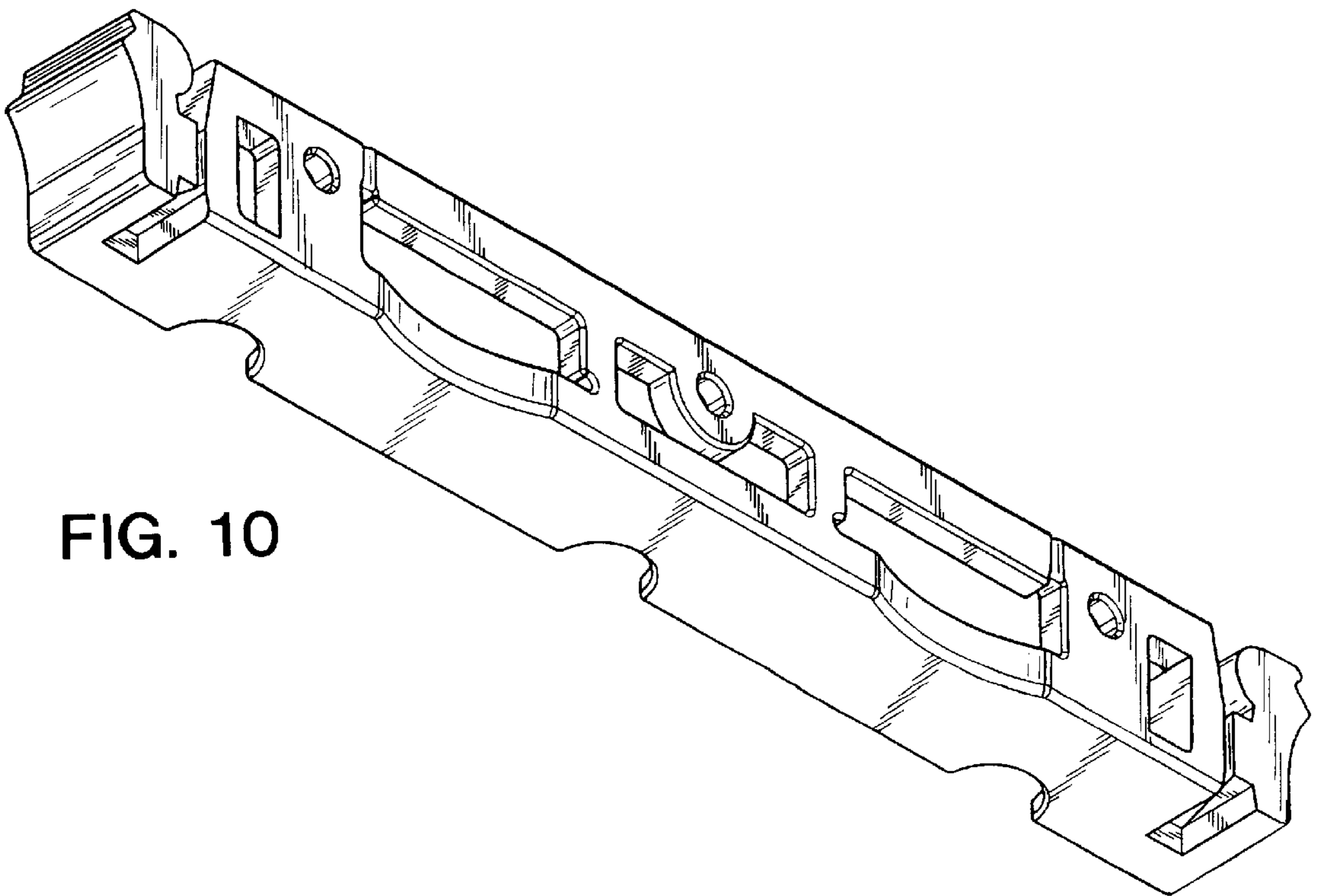


FIG. 10

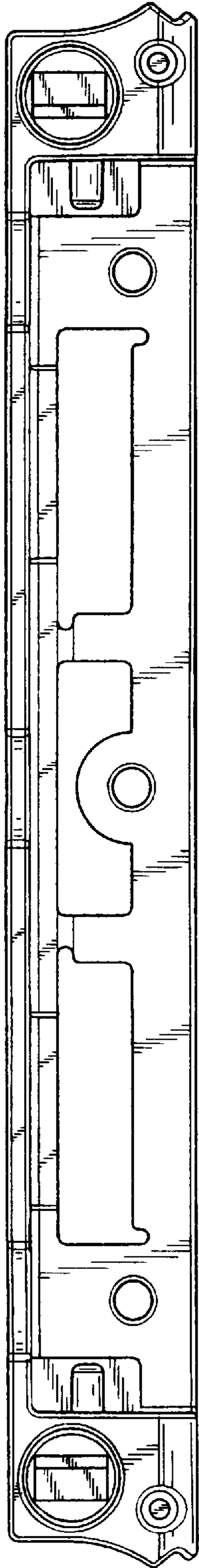


FIG. 11

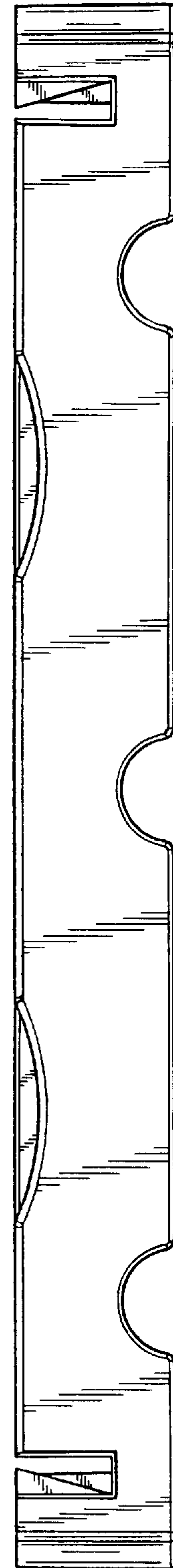


FIG. 12

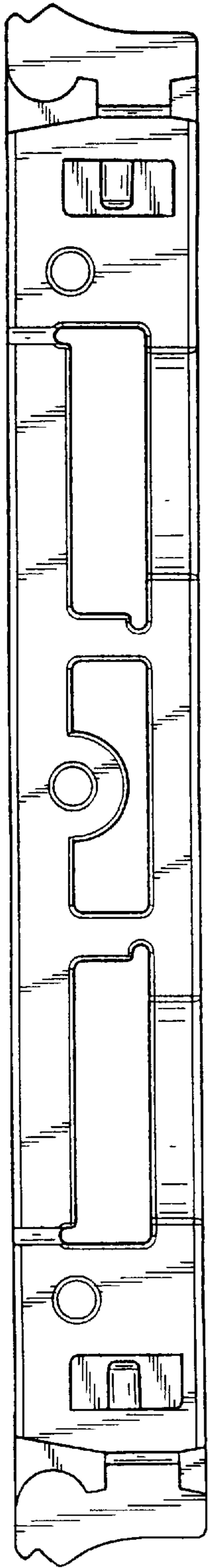


FIG. 13

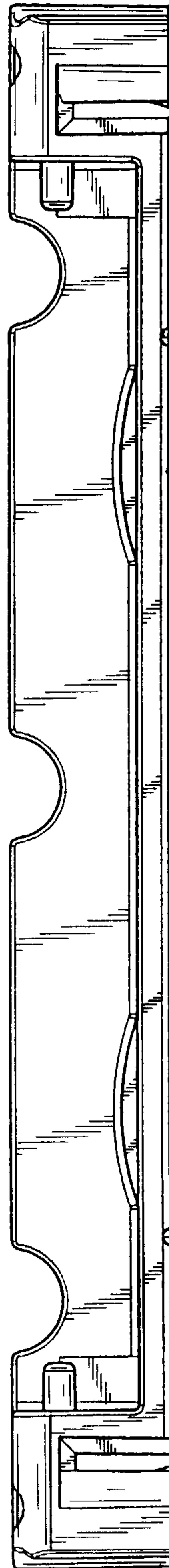


FIG. 14

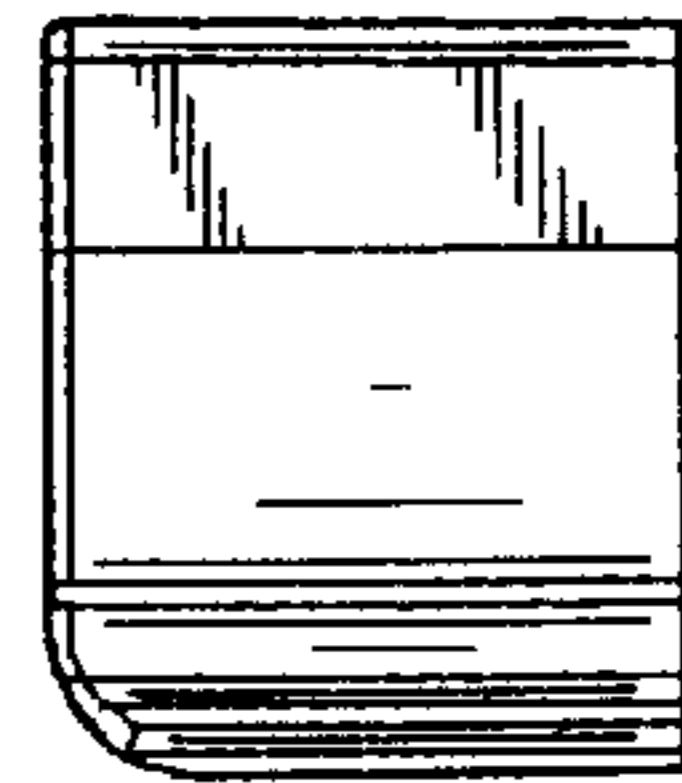


FIG. 15

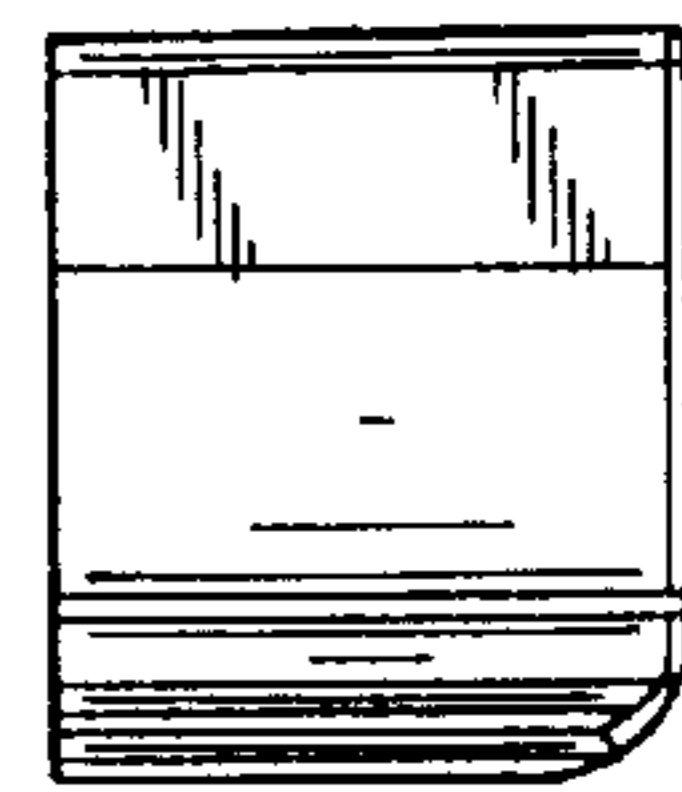


FIG. 16

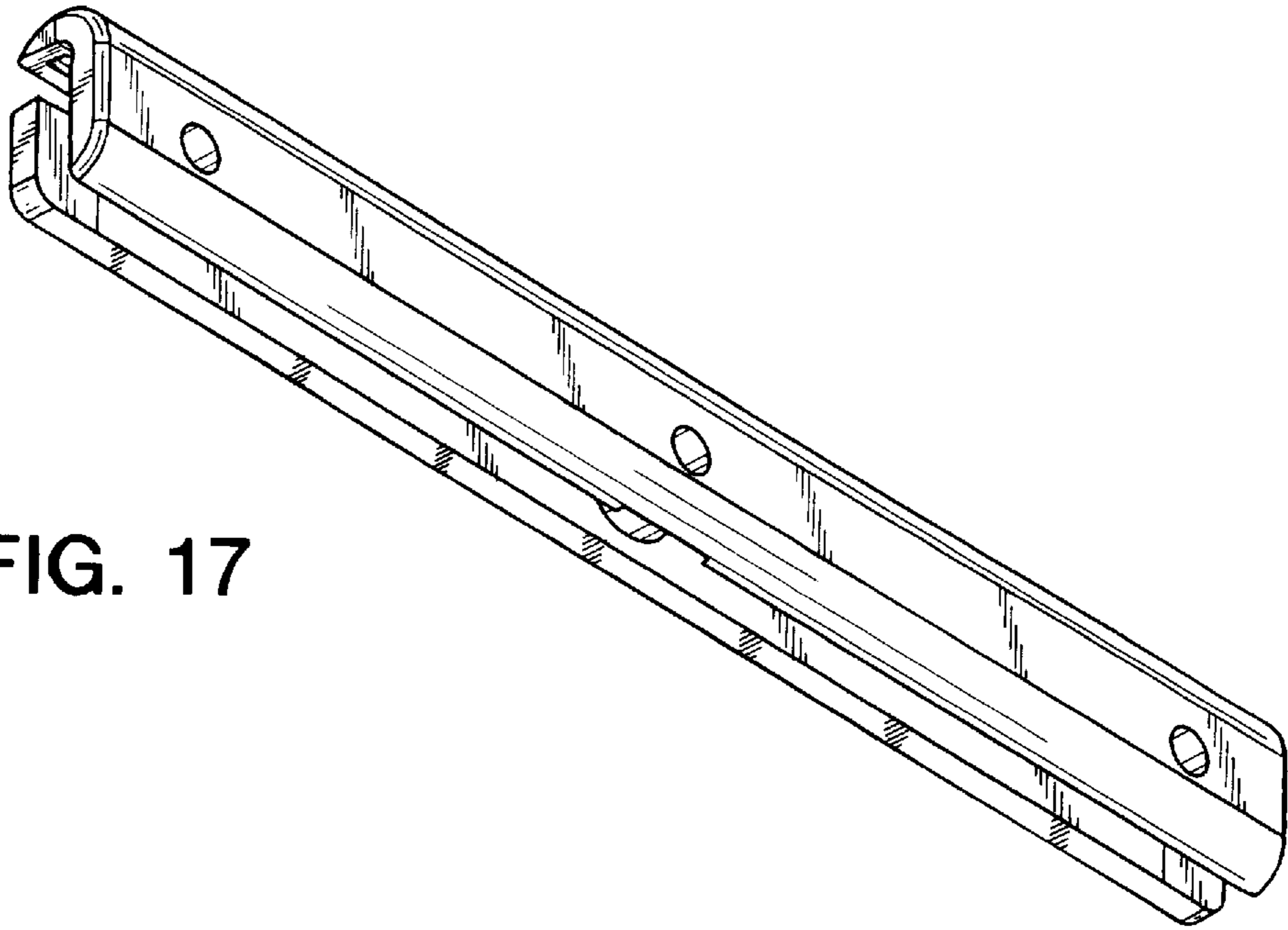


FIG. 17

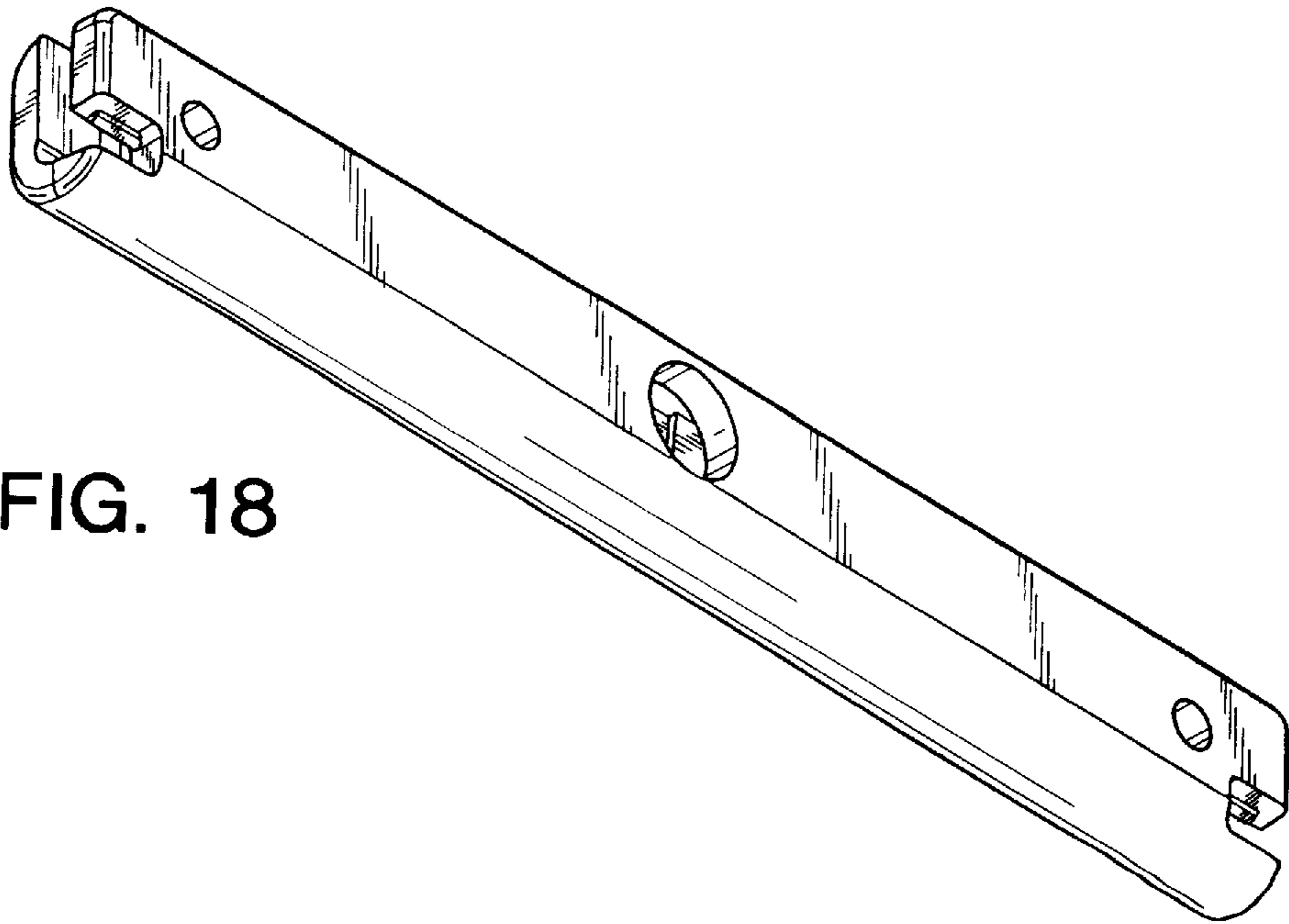


FIG. 18

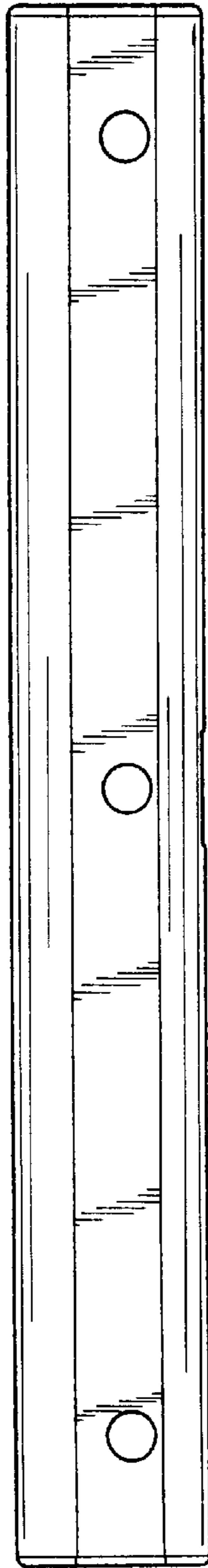


FIG. 19

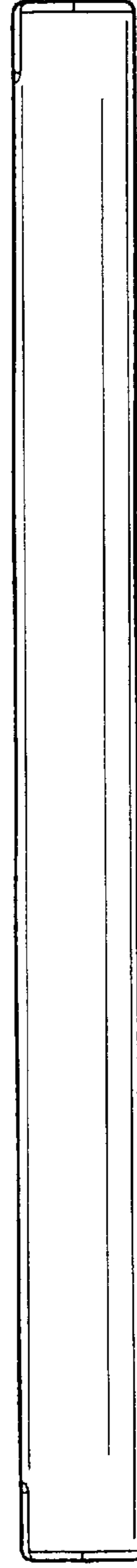


FIG. 20

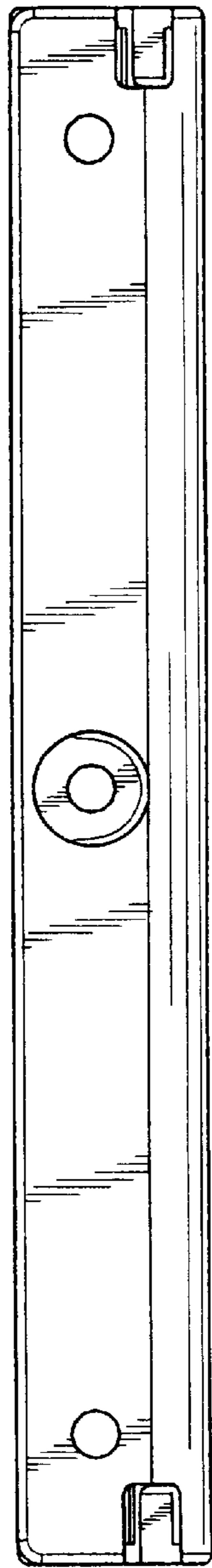


FIG. 21

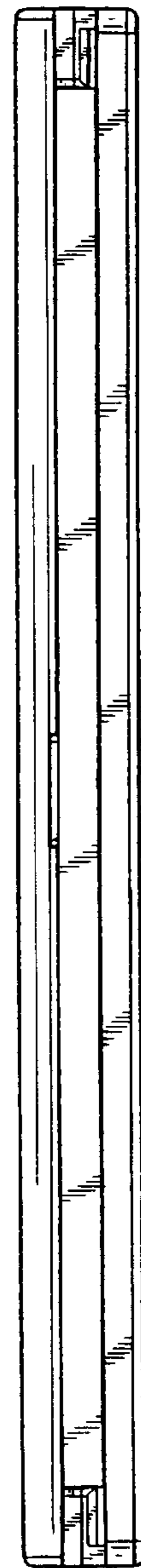


FIG. 22

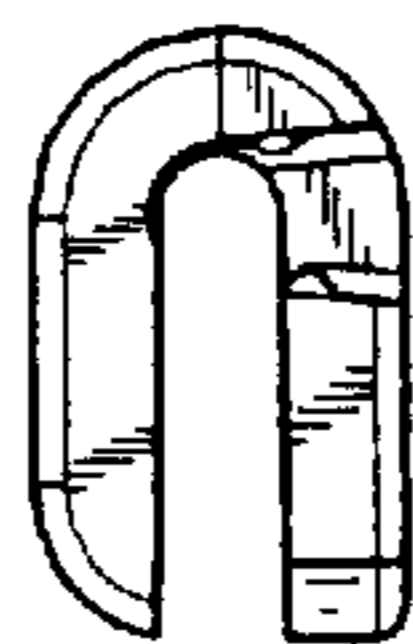


FIG. 23

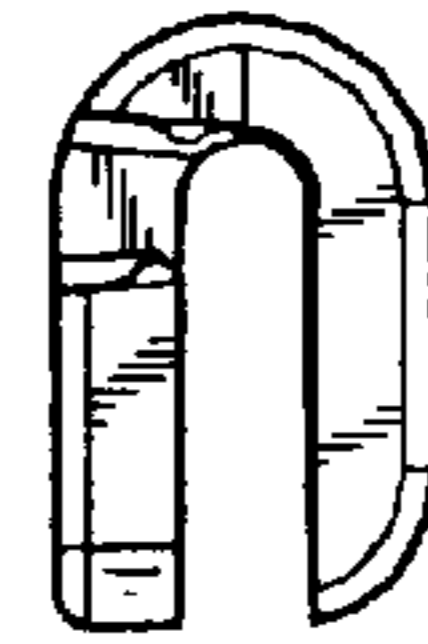


FIG. 24