



US00D400863S

United States Patent [19]

Richman et al.

[11] Patent Number: **Des. 400,863**

[45] Date of Patent: ****Nov. 10, 1998**

[54] **PROCESS CONTROLLER**

[75] Inventors: **Lonnie J. Richman**, Painesville, Ohio;
Leonard R. Polinski, Jr., deceased,
late of Lakewood, Ohio, by Carol
Polinski, legal representative

[73] Assignee: **Elsag International N.V.**, Amsterdam,
Netherlands

[**] Term: **14 Years**

[21] Appl. No.: **75,804**

[22] Filed: **Aug. 22, 1997**

[51] **LOC (6) Cl.** **13-03**

[52] **U.S. Cl.** **D13/162**

[58] **Field of Search** D13/162, 184;
D14/100, 114; 361/600, 601, 622, 625-627,
679, 728-730

[56] **References Cited**

U.S. PATENT DOCUMENTS

D. 274,615 7/1984 Bean et al. D13/162

D. 307,741 5/1990 Gilbert D13/162
D. 329,843 9/1992 Ishida D13/162
D. 375,084 10/1996 Hamada D13/162
D. 384,037 9/1997 Hamada D13/162
D. 384,938 10/1997 Hamada eta l. D13/162
4,532,952 8/1985 Norwood 361/600 X

Primary Examiner—Brian N. Vinson
Attorney, Agent, or Firm—Michael M. Rickin

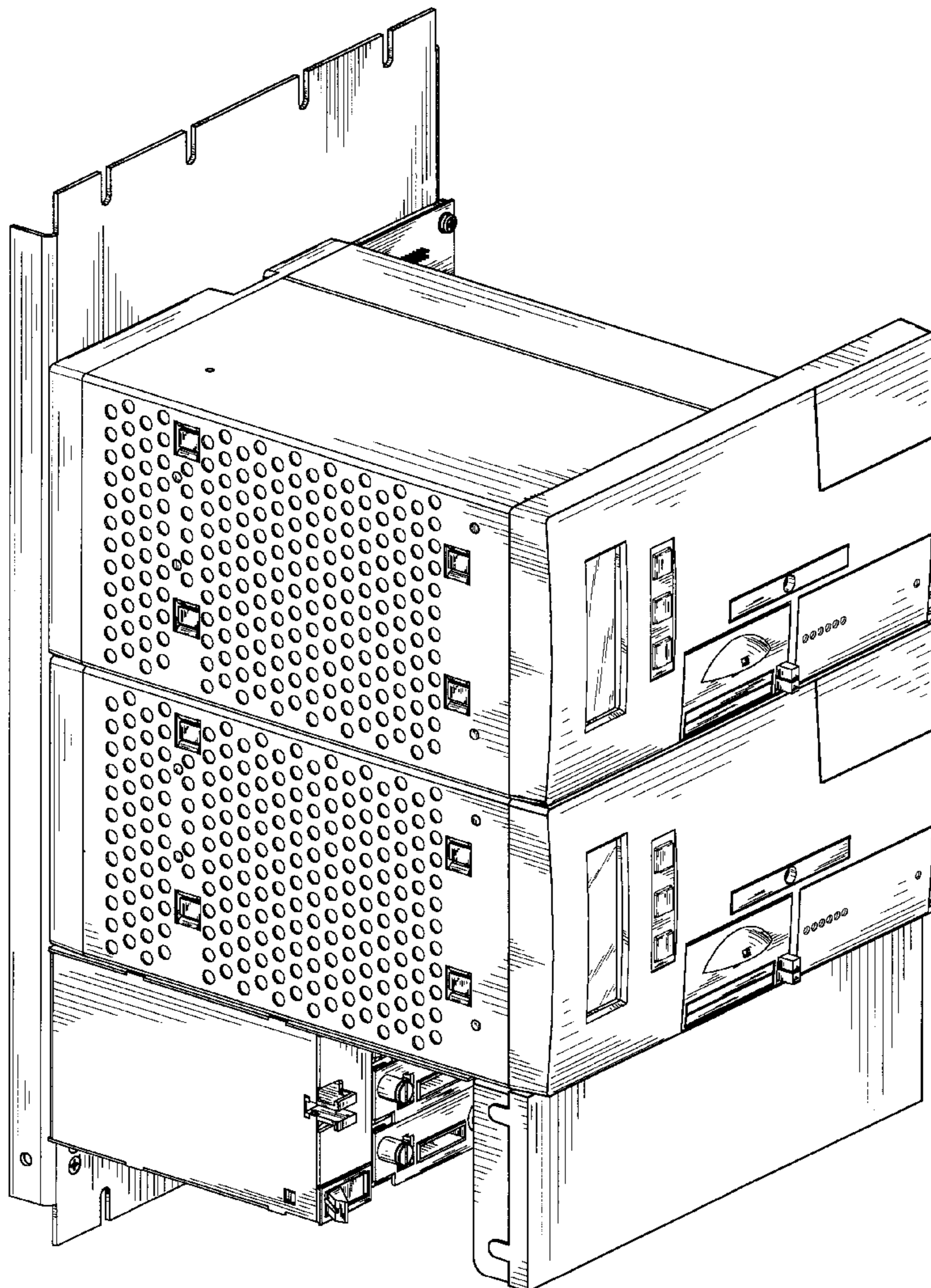
[57] **CLAIM**

We claim the ornamental design for a process controller, as shown.

DESCRIPTION

FIG. 1 is a top, front and right side perspective view of the process controller showing our new design; FIG. 2 is a front elevational view thereof; FIG. 3 is a rear elevational view thereof; FIG. 4 is a right side elevational view thereof; FIG. 5 is a left side elevational view thereof; FIG. 6 is a bottom plan view thereof; and, FIG. 7 is a top plan view thereof.

1 Claim, 6 Drawing Sheets



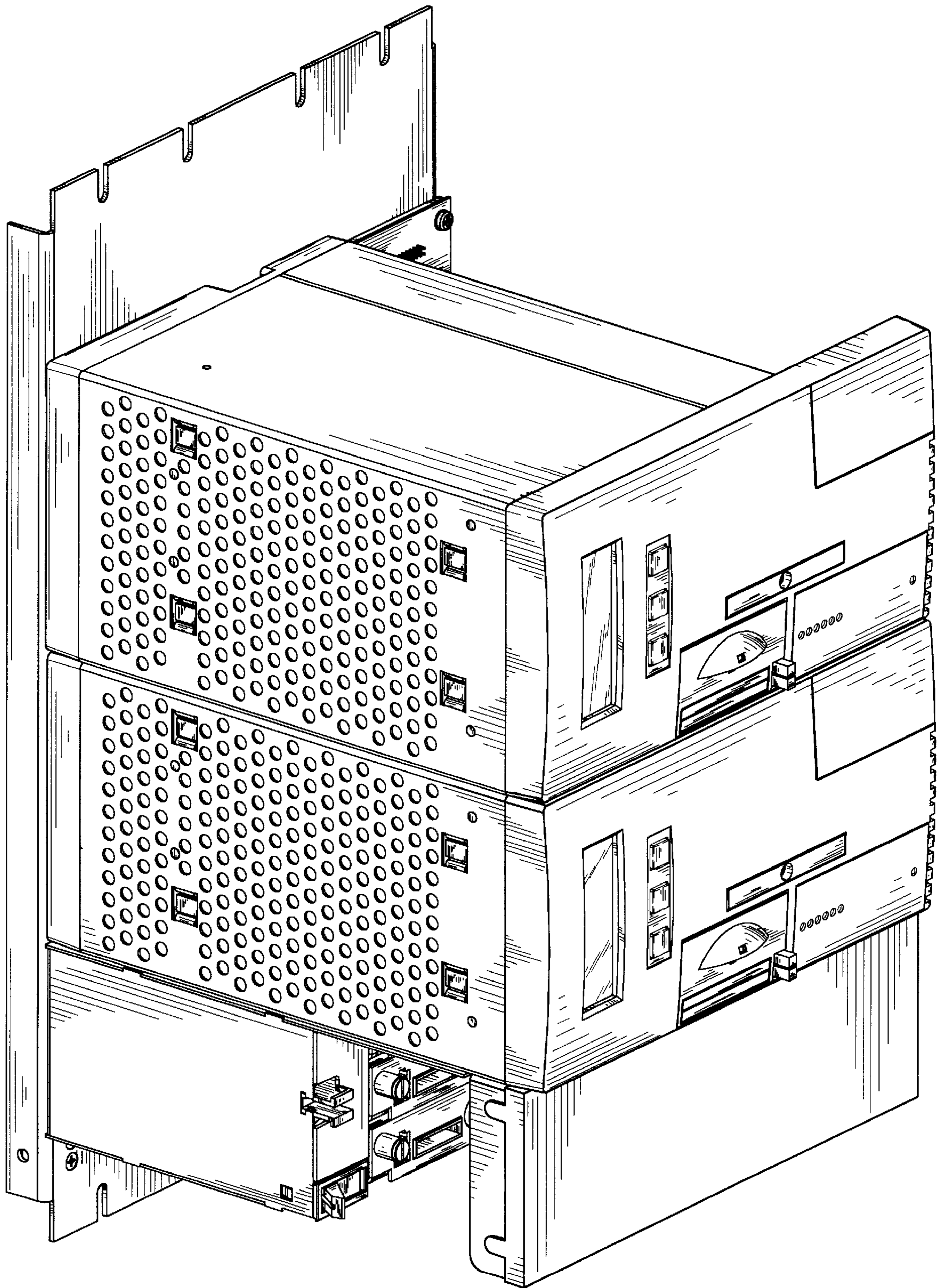


Fig.1

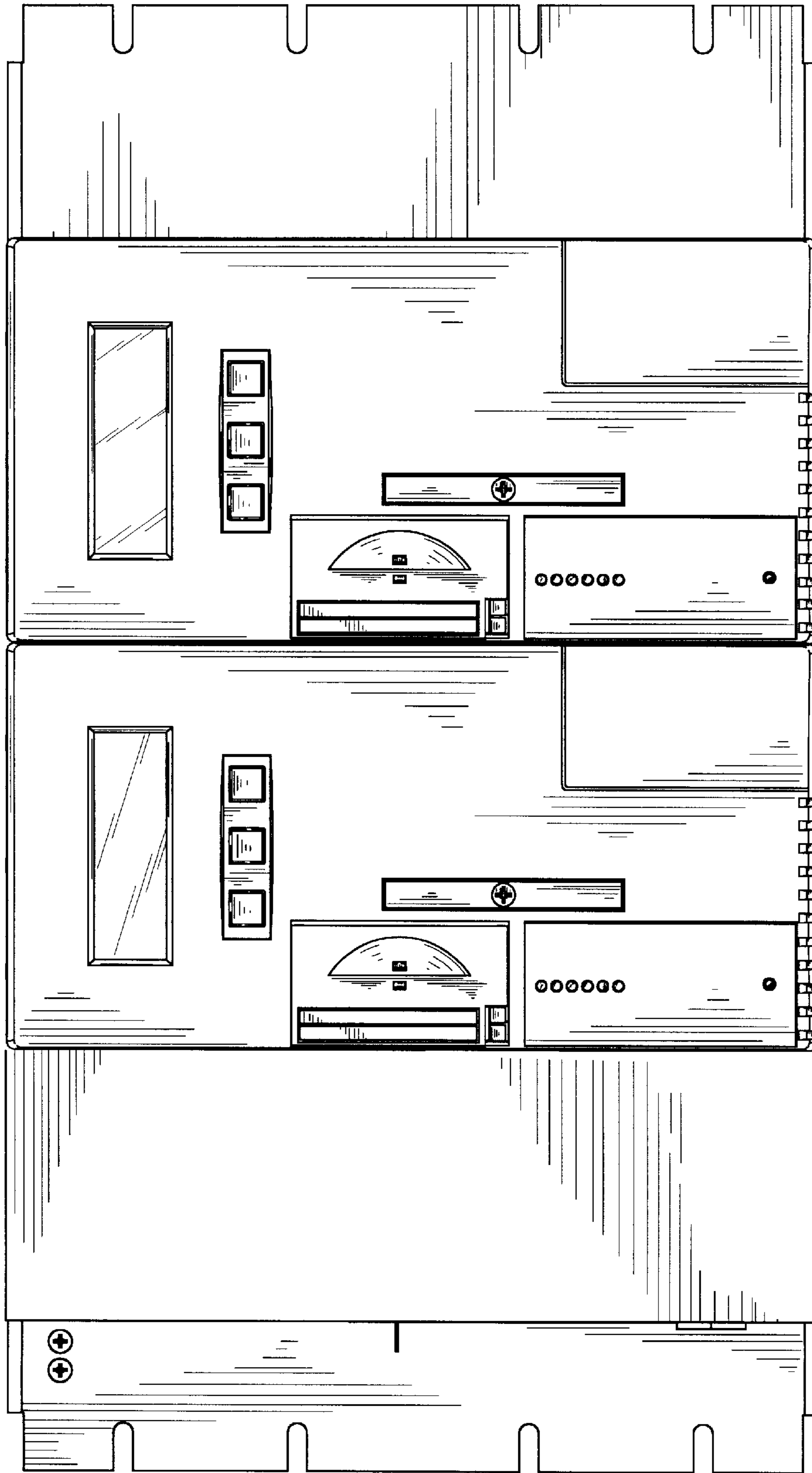


Fig.2

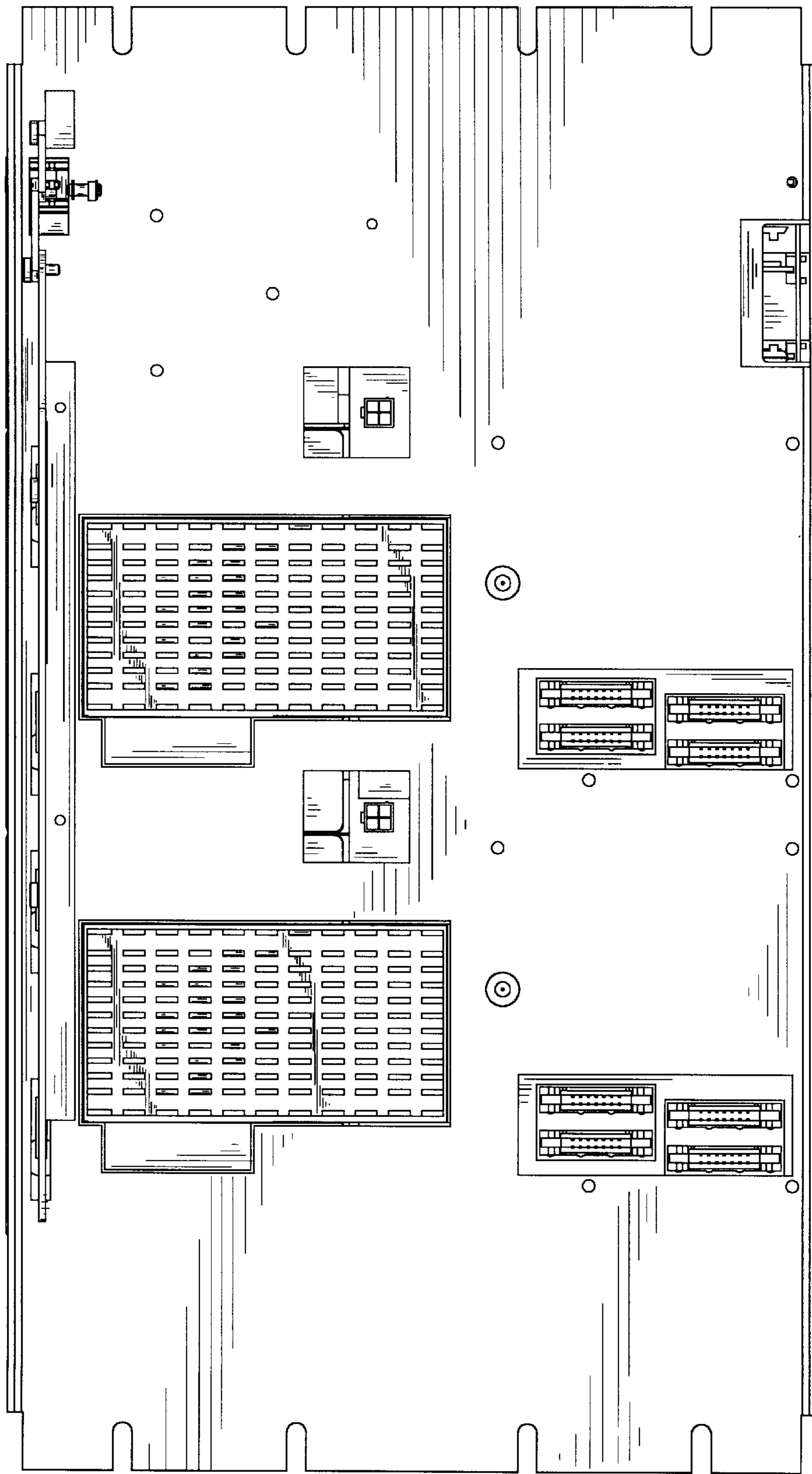


Fig.3

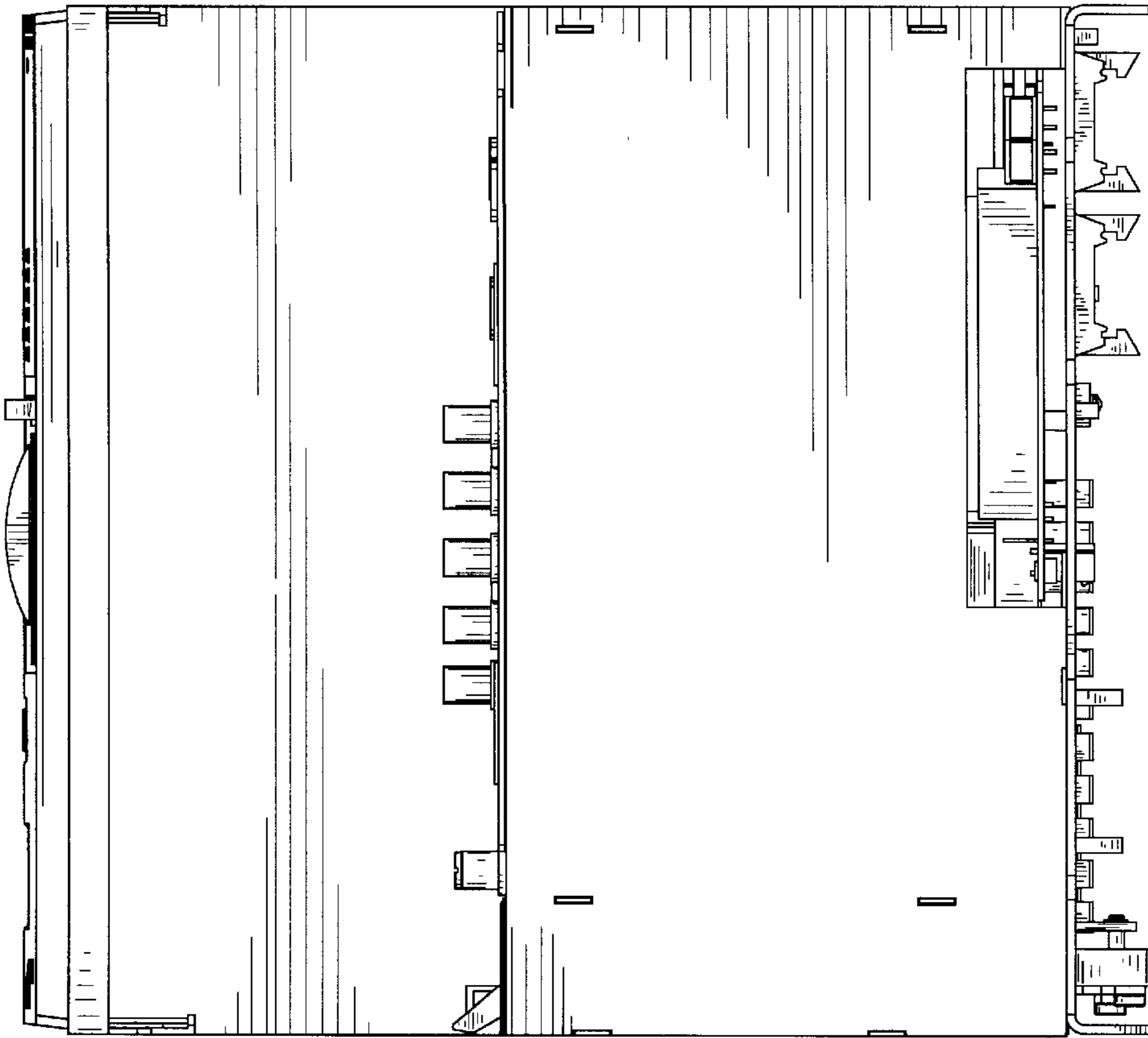


Fig.5

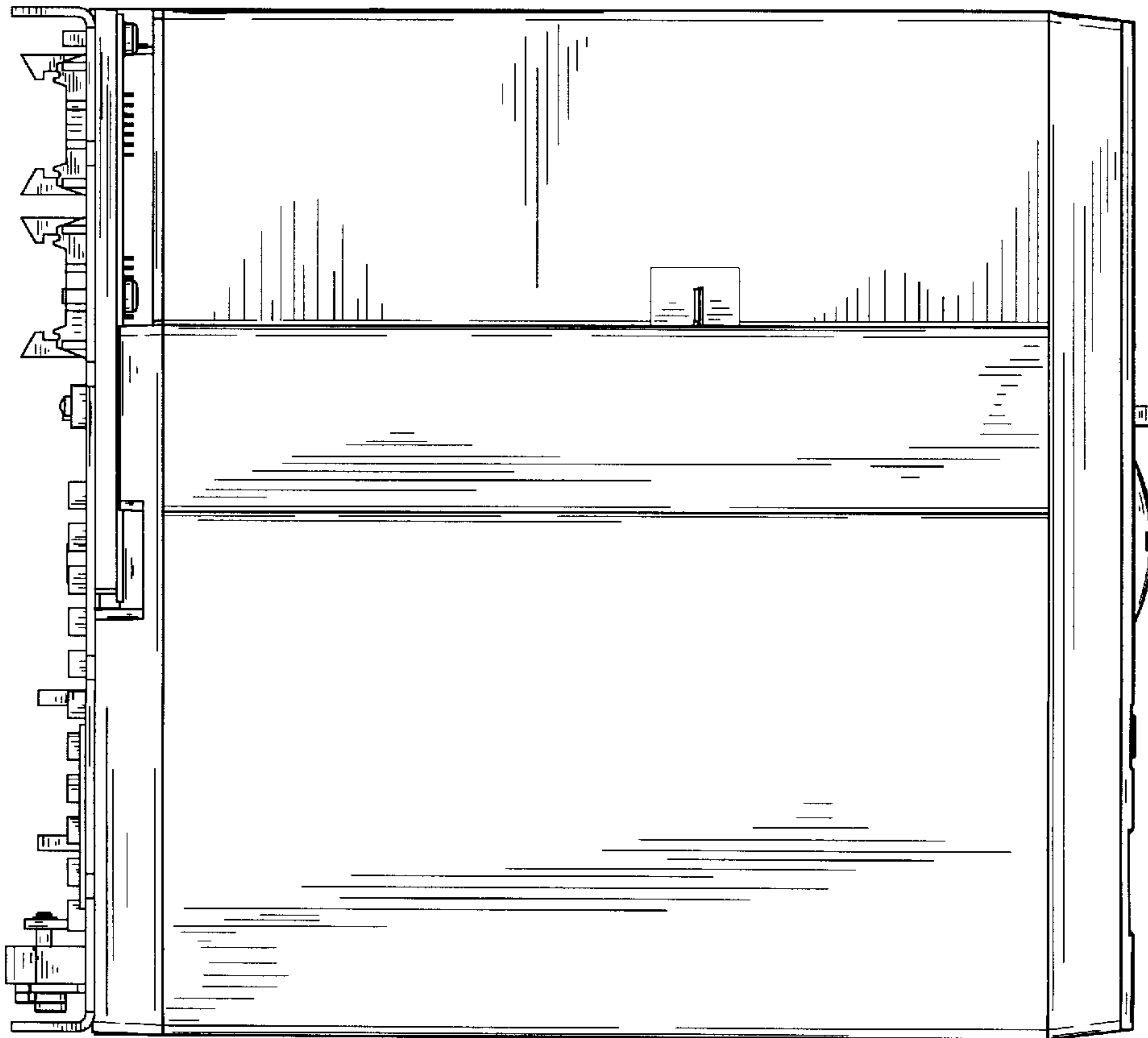


Fig.4

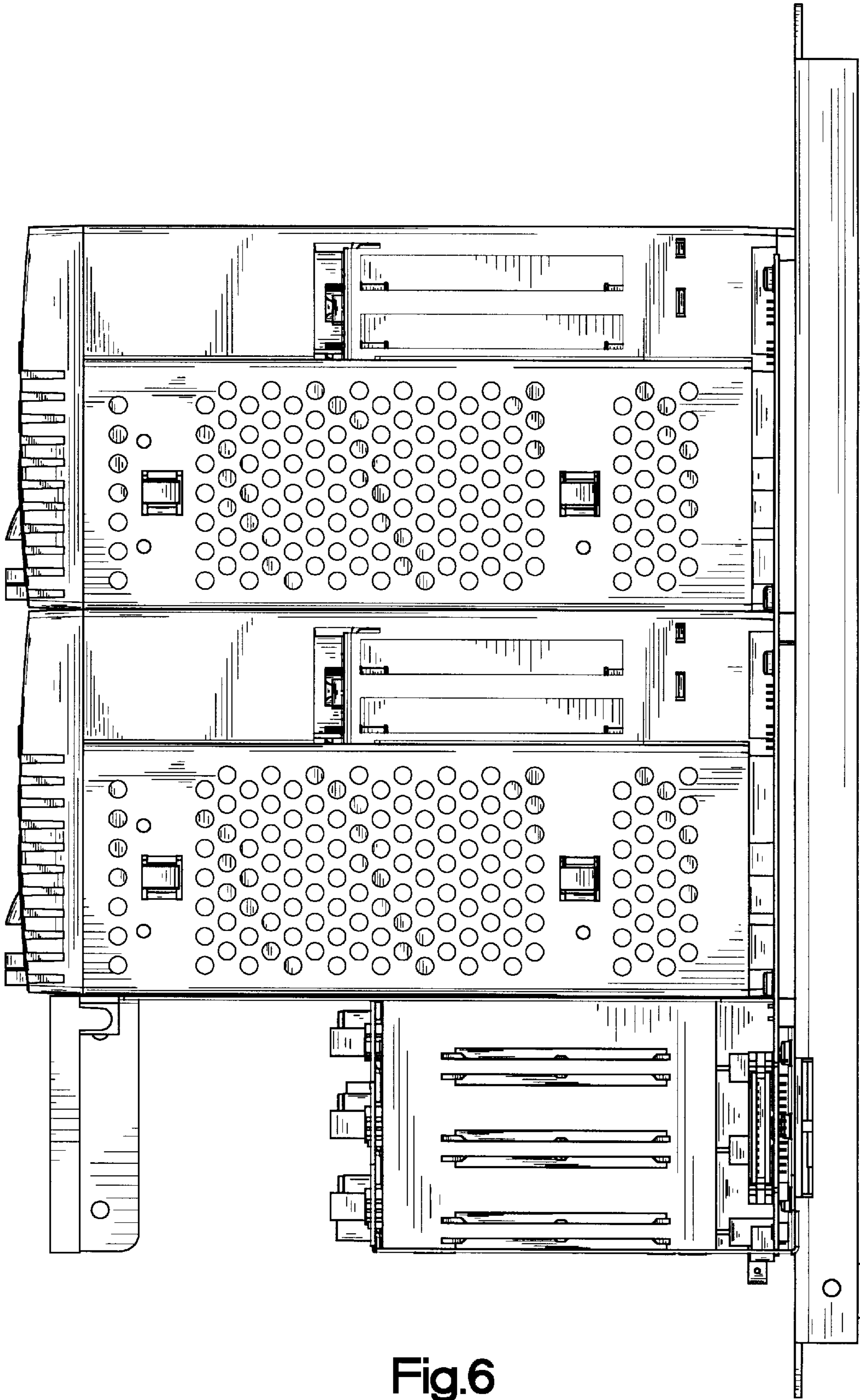


Fig.6

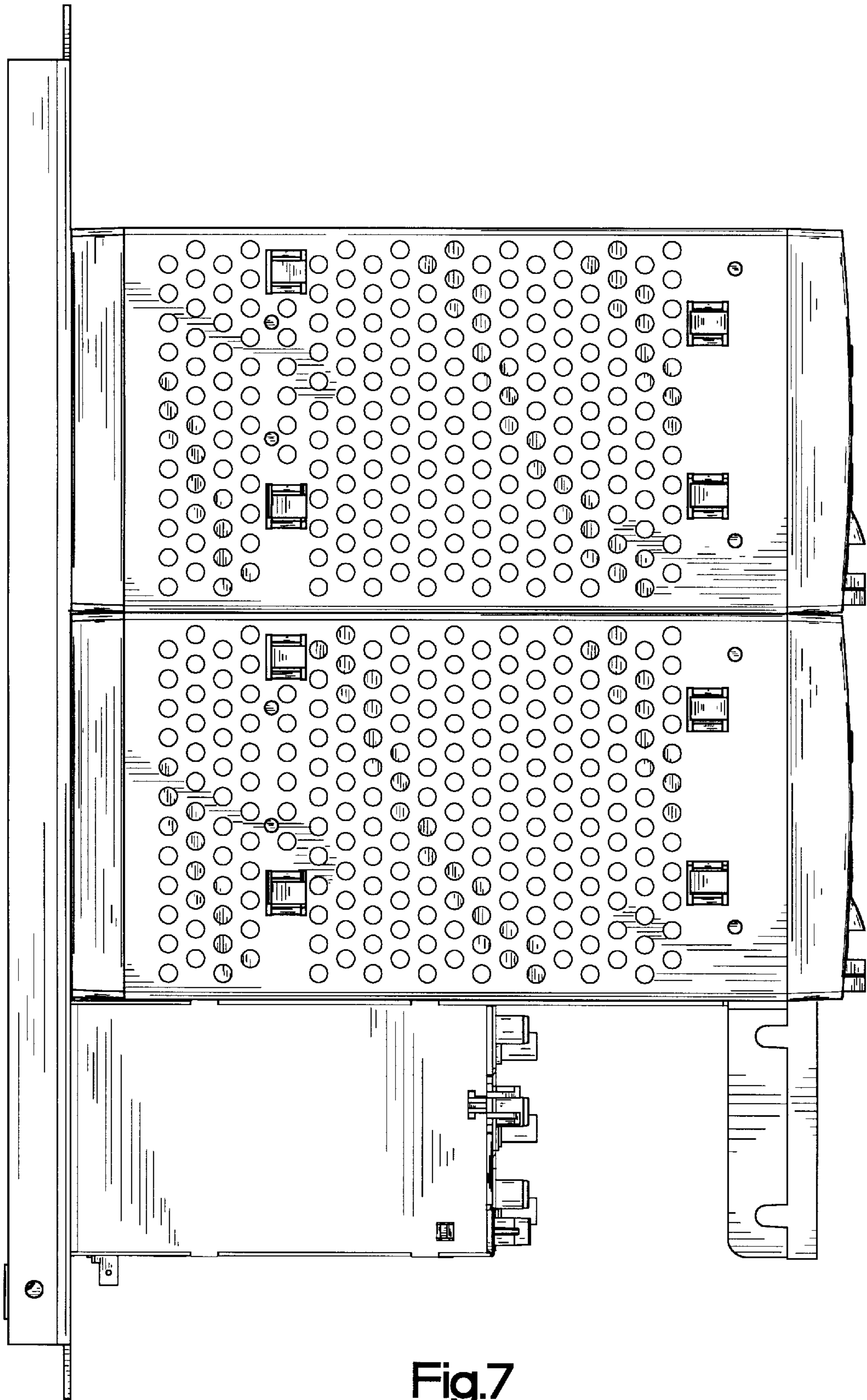


Fig.7