



US00D400858S

United States Patent [19] Goto

[11] Patent Number: Des. 400,858

[45] Date of Patent: **Nov. 10, 1998

[54] CONNECTOR

[75] Inventor: Teiyu Goto, Tokyo, Japan

[73] Assignee: Sony Corporation, Tokyo, Japan

[**] Term: 14 Years

[21] Appl. No.: 45,891

[22] Filed: Nov. 1, 1995

[30] Foreign Application Priority Data

May 9, 1995 [JP] Japan 7-12723

[51] LOC (6) Cl. 13-03

[52] U.S. Cl. D13/147

[58] Field of Search D13/133, 146,
D13/147, 183, 184; 439/209, 216, 638,
646, 650, 660, 668, 682, 620; 200/51 R

[56] References Cited

U.S. PATENT DOCUMENTS

D. 194,501	2/1963	Maurer	D13/147
D. 360,765	8/1995	Te'kannon	D13/183 X
D. 372,460	8/1996	Aramaki	D13/147
4,679,013	7/1987	Farrar et al.	439/620 X
4,875,871	10/1989	Booty, Sr. et al.	439/209
5,391,088	2/1995	Tomchak et al.	439/216

FOREIGN PATENT DOCUMENTS

677222 11/1964 Italy 200/51 R

Primary Examiner—Alan P. Douglas
Assistant Examiner—Lavone D. Tabor

Attorney, Agent, or Firm—Foley & Lardner

[57] CLAIM

The ornamental design for a connector, as shown and described.

DESCRIPTION

FIG. 1 is a perspective view of the connector including my new design;
 FIG. 2 is a top plan view thereof;
 FIG. 3 is a left side elevational view thereof;
 FIG. 4 is a front elevational view thereof;
 FIG. 5 is a bottom plan view thereof;
 FIG. 6 is a right side elevational view thereof; and,
 FIG. 7 is a rear elevational view thereof;
 FIG. 8 is a perspective view of a second embodiment of the connector including my new design;
 FIG. 9 is a top plan view of the embodiment of FIG. 8;
 FIG. 10 is a left side elevational view of the embodiment of FIG. 8;
 FIG. 11 is a front elevational view of the embodiment of FIG. 8;
 FIG. 12 is a bottom plan view of the embodiment of FIG. 8;
 FIG. 13 is a right side elevational view of the embodiment of FIG. 8; and,
 FIG. 14 is a rear elevational view thereof; and,
 FIG. 15 is a top, front, and right side perspective view of a third embodiment of the connector with the broken line showing of the connecting means being for illustrative purposes only and forming no part of this embodiment and the bottom, rear, and left side being identical to those shown in the first embodiment.

1 Claim, 7 Drawing Sheets

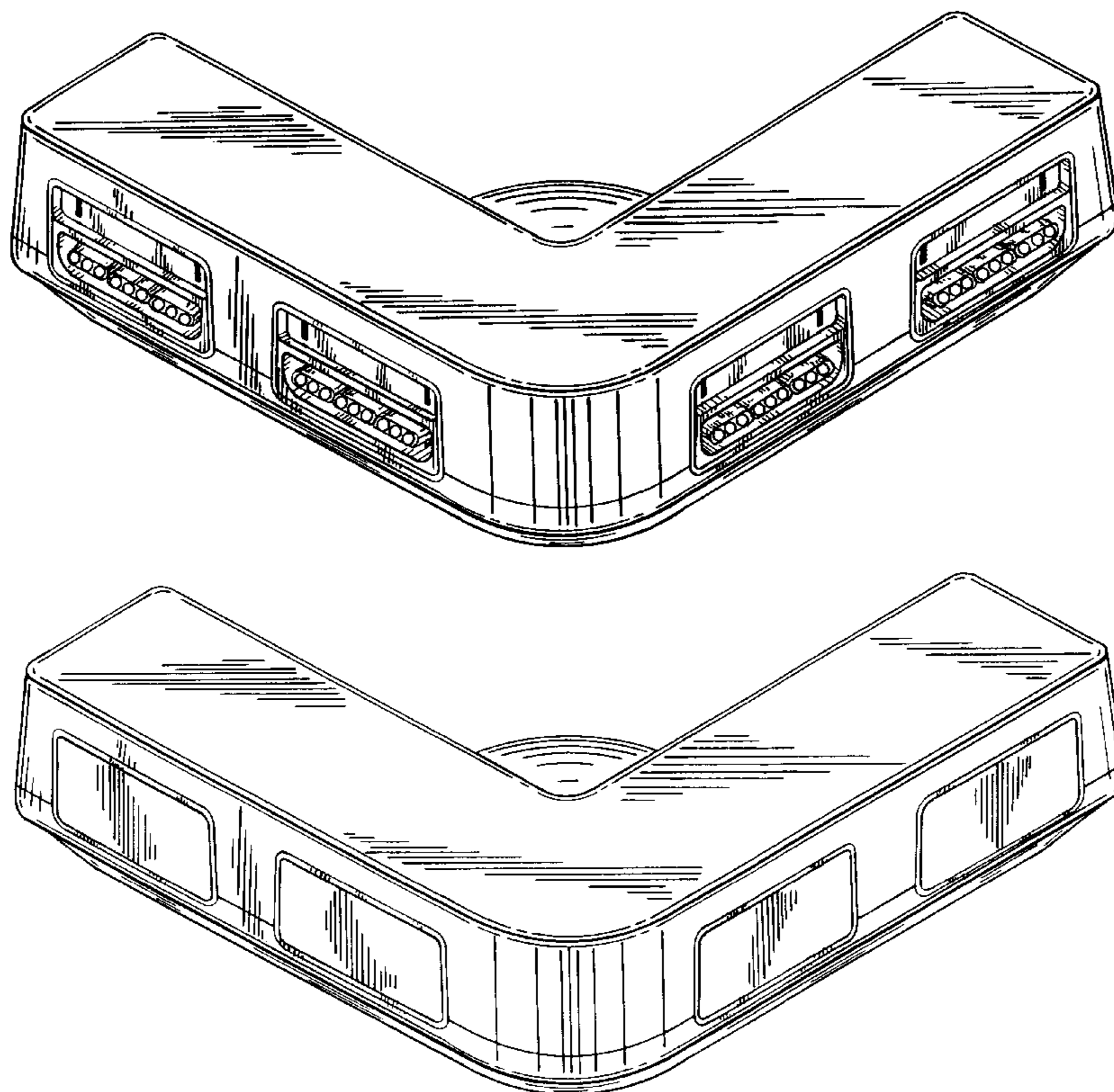
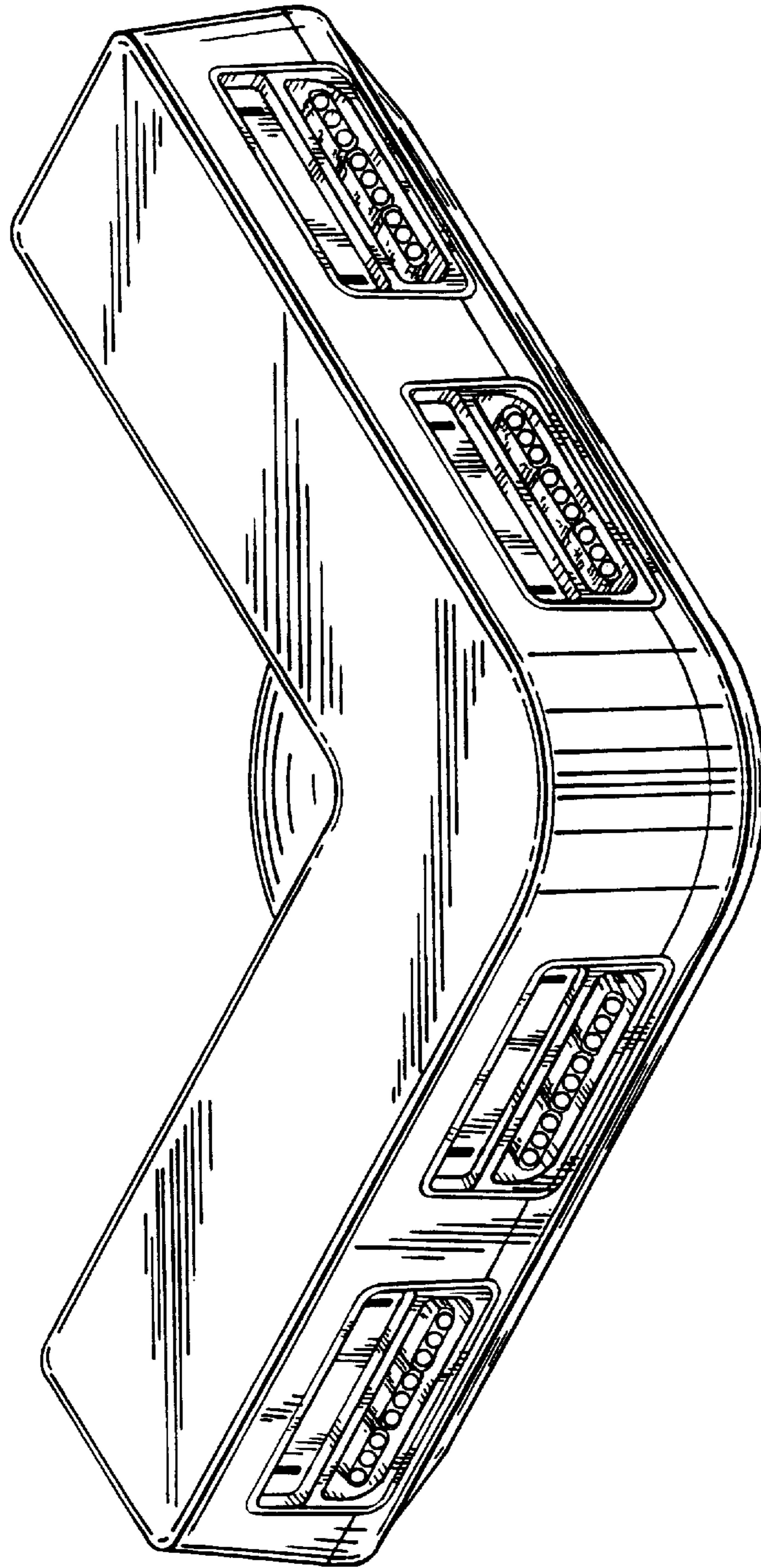


FIG. 1



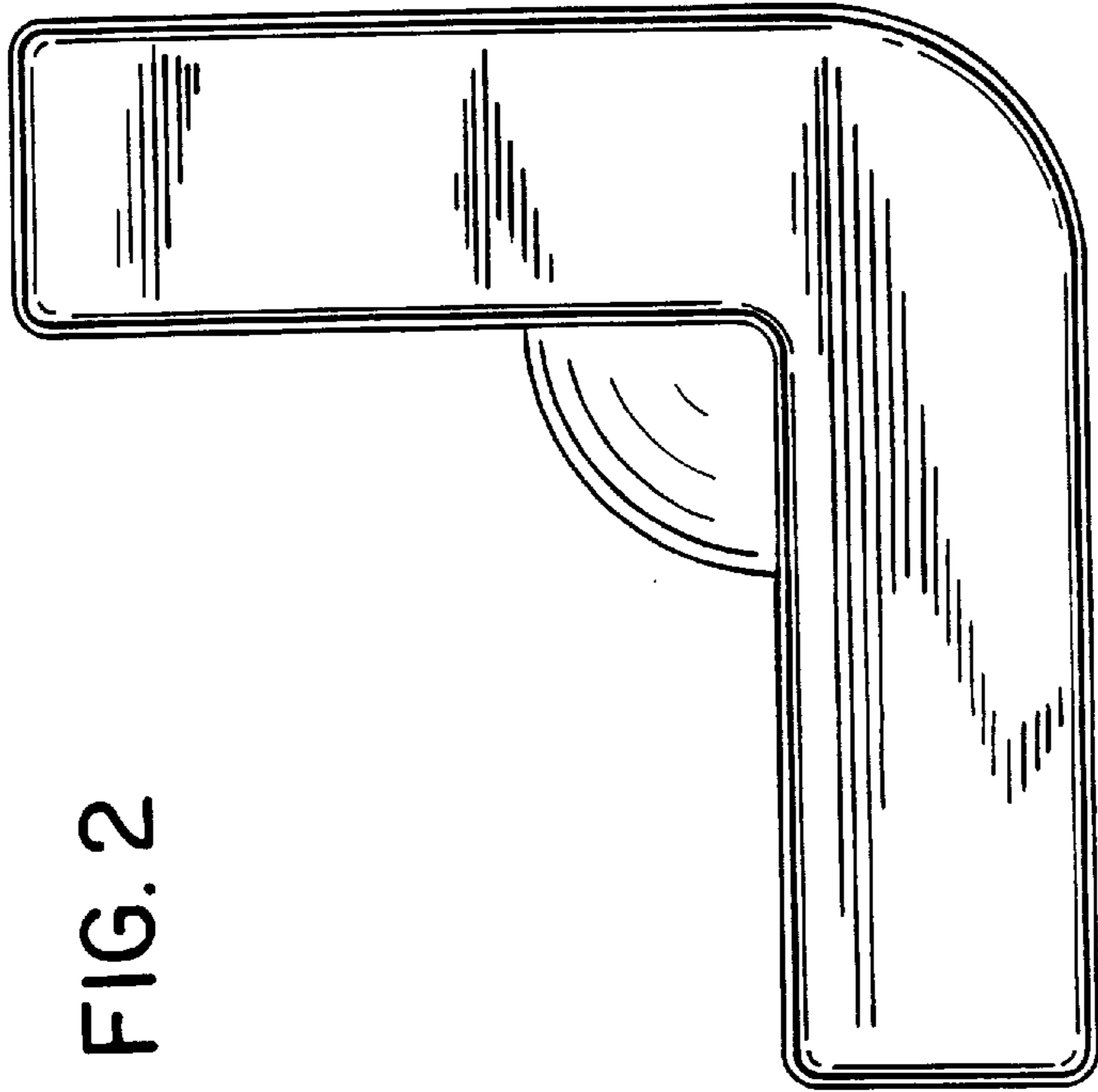


FIG. 2

FIG. 4

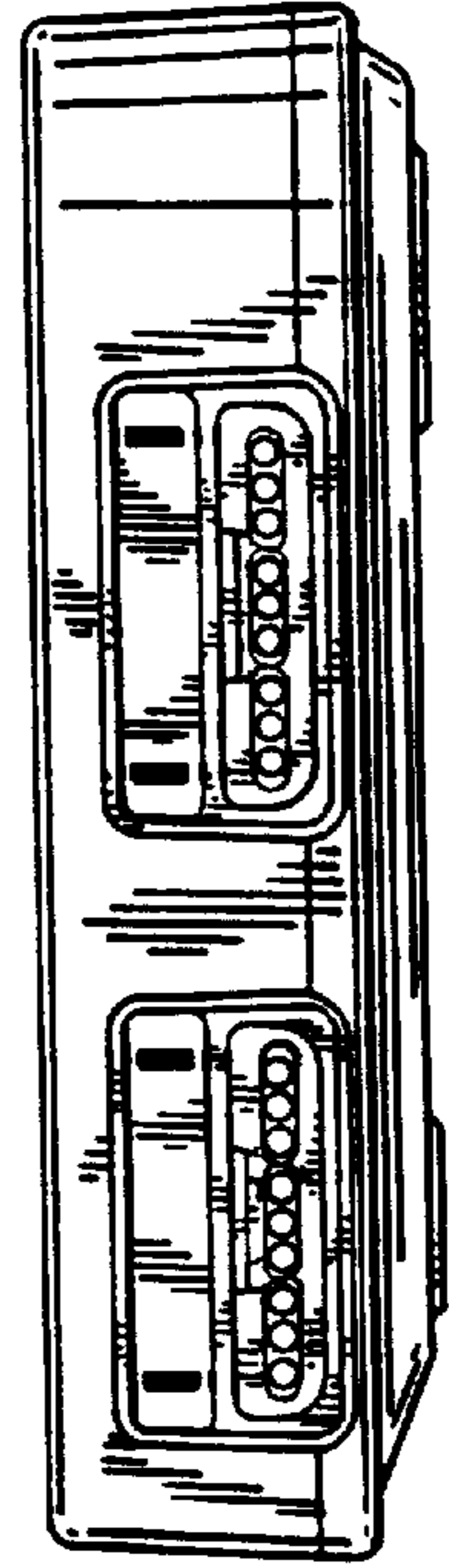


FIG. 3

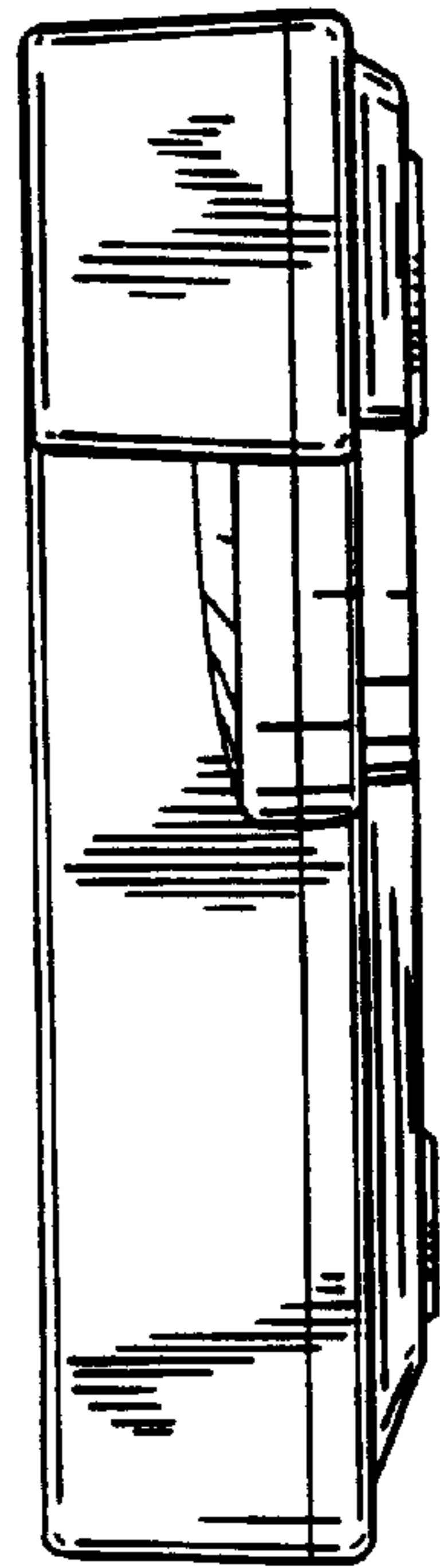


FIG. 7

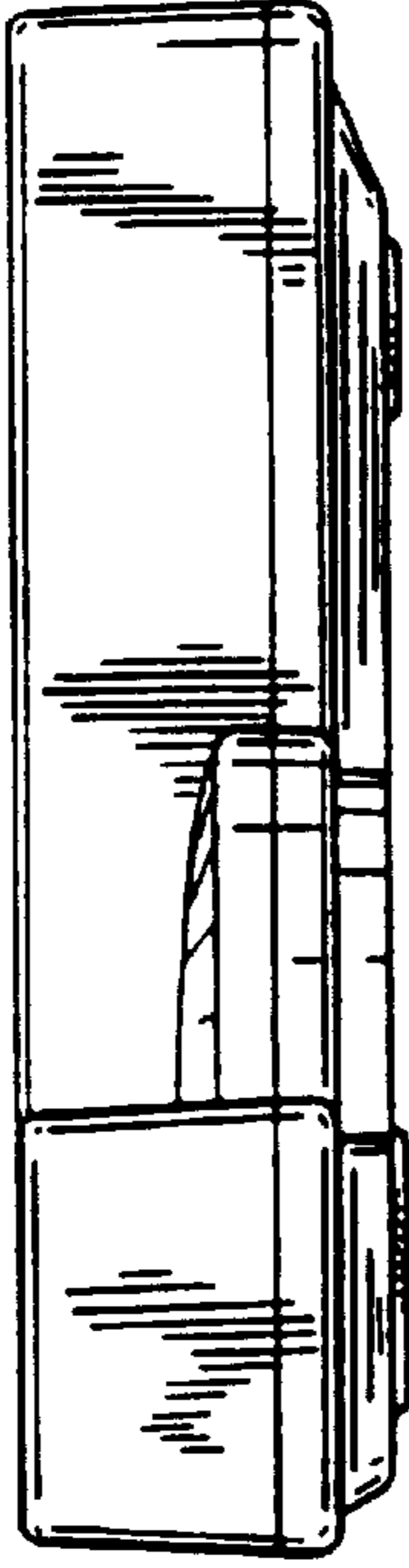


FIG. 6

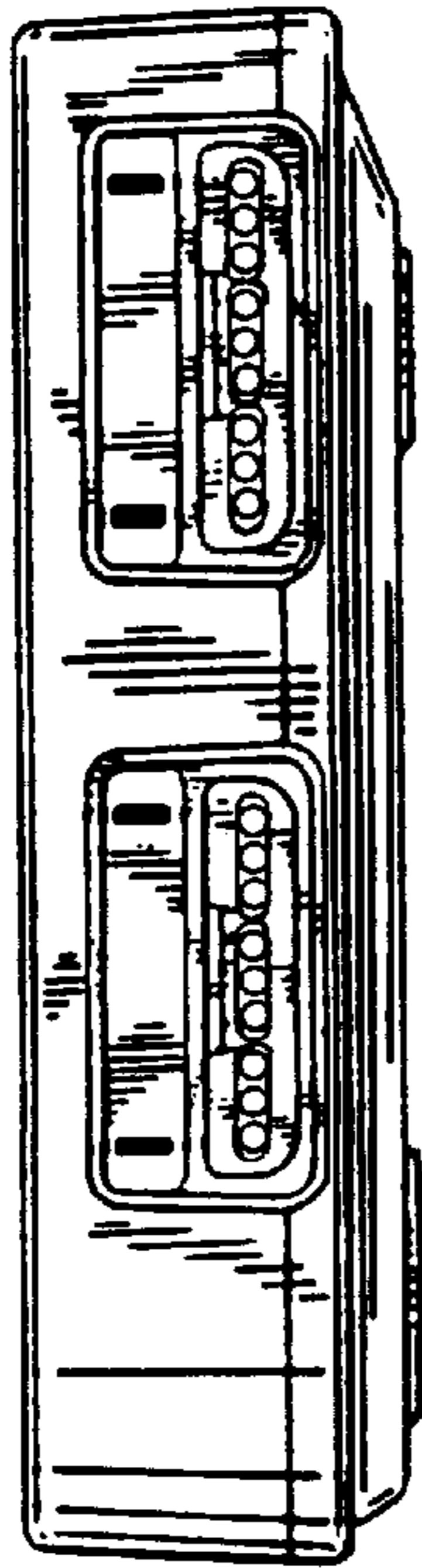


FIG. 5

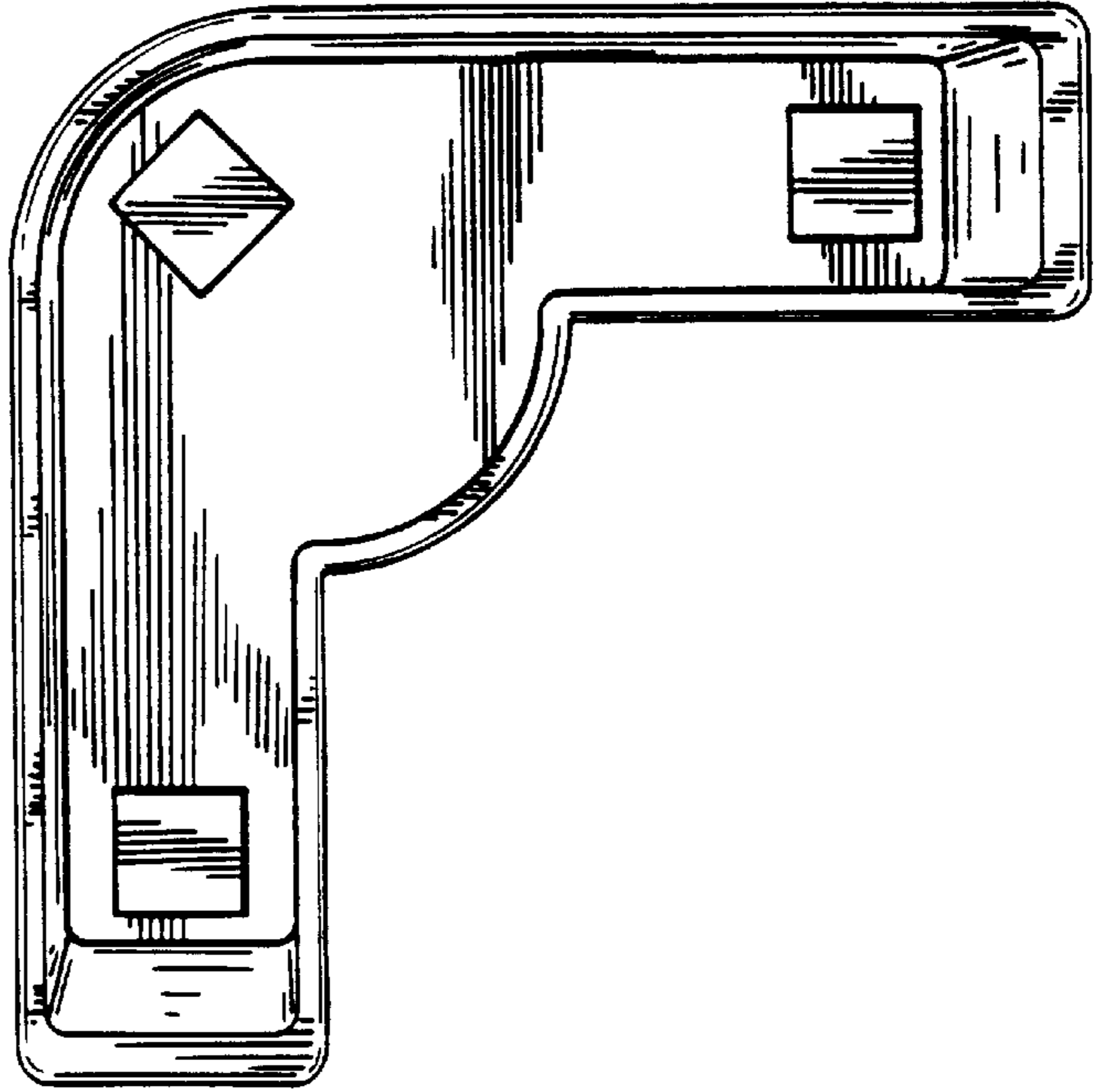
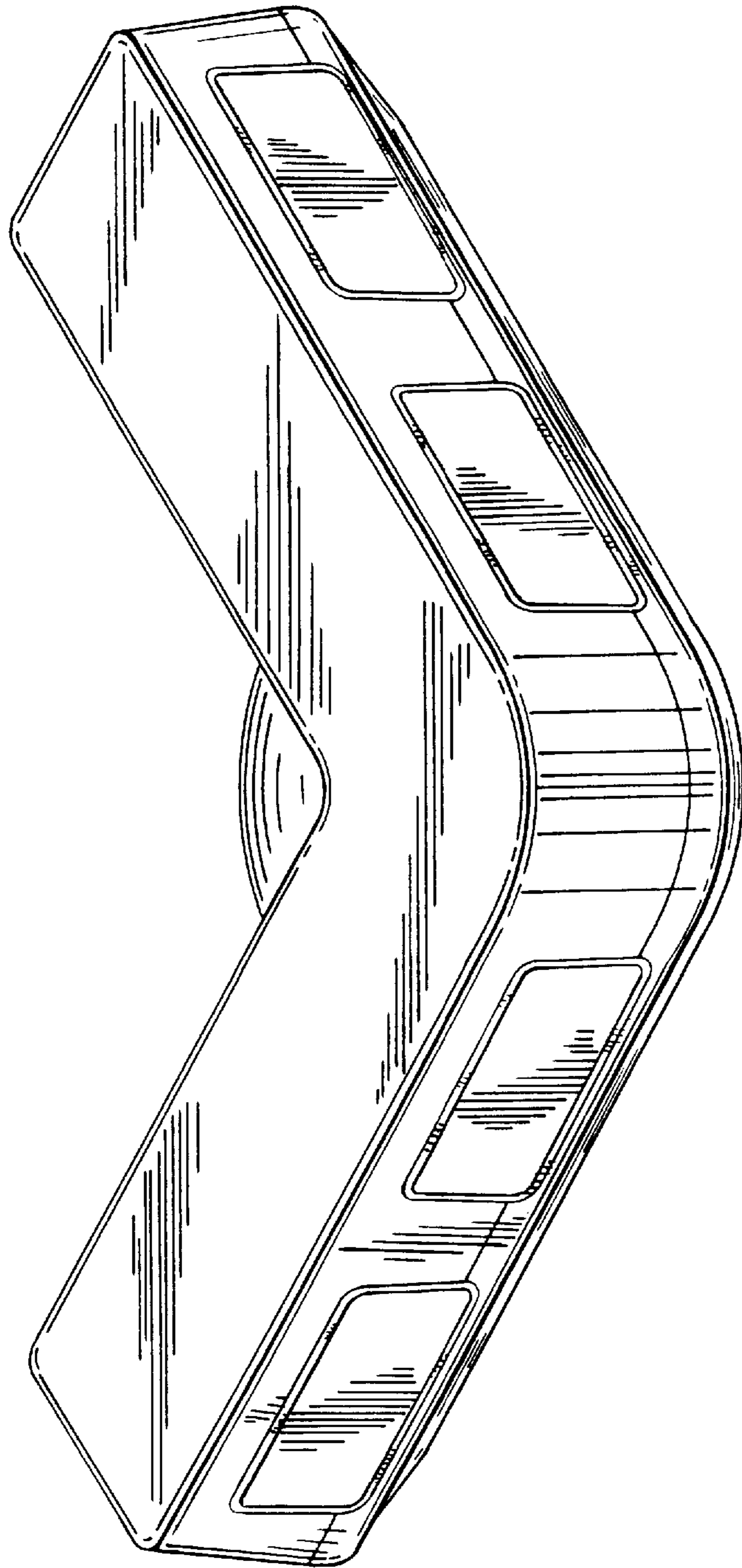


FIG. 8



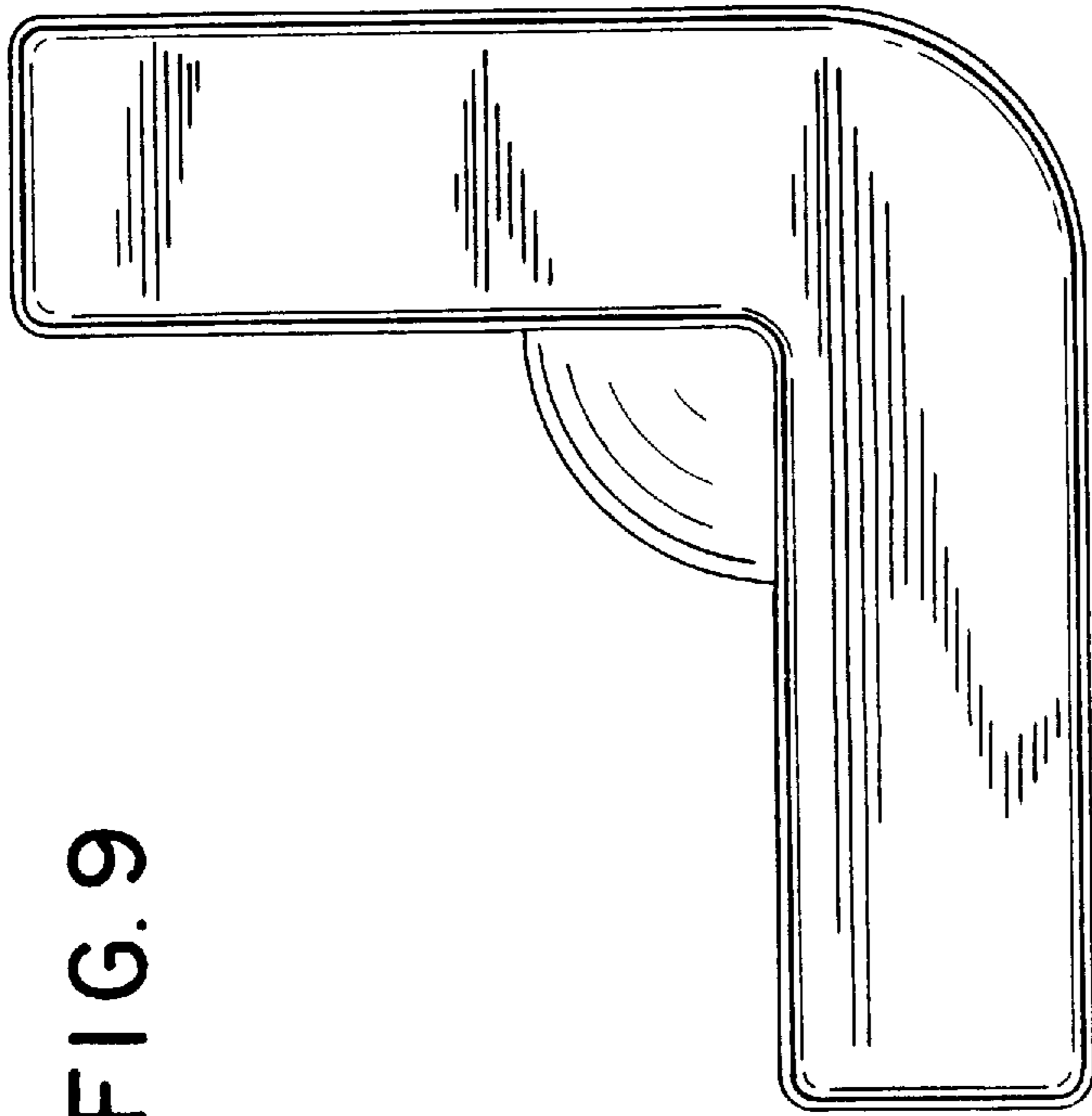


FIG. 9

FIG. 10

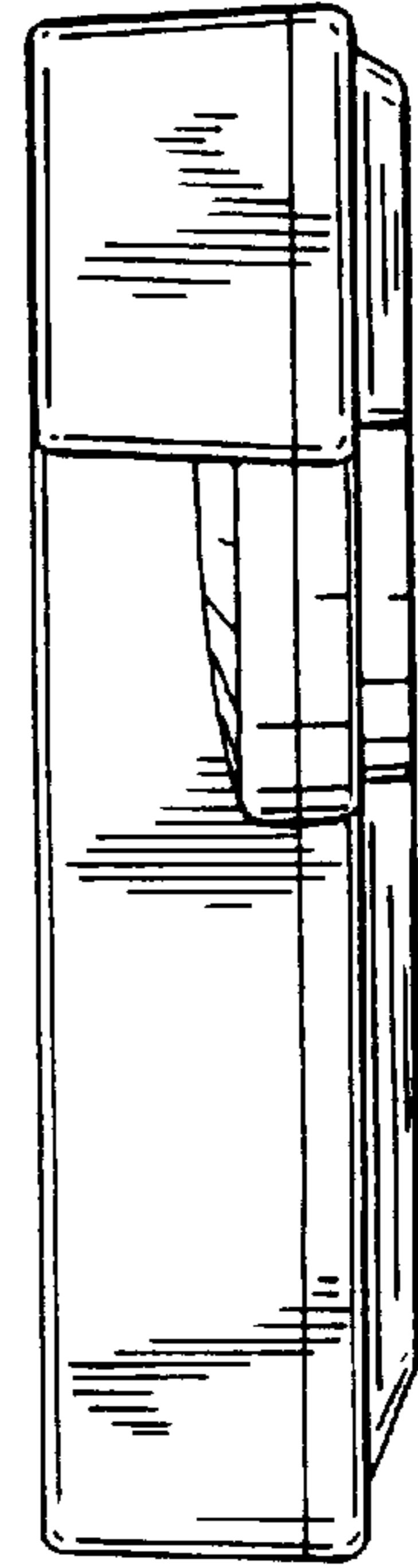


FIG. 11

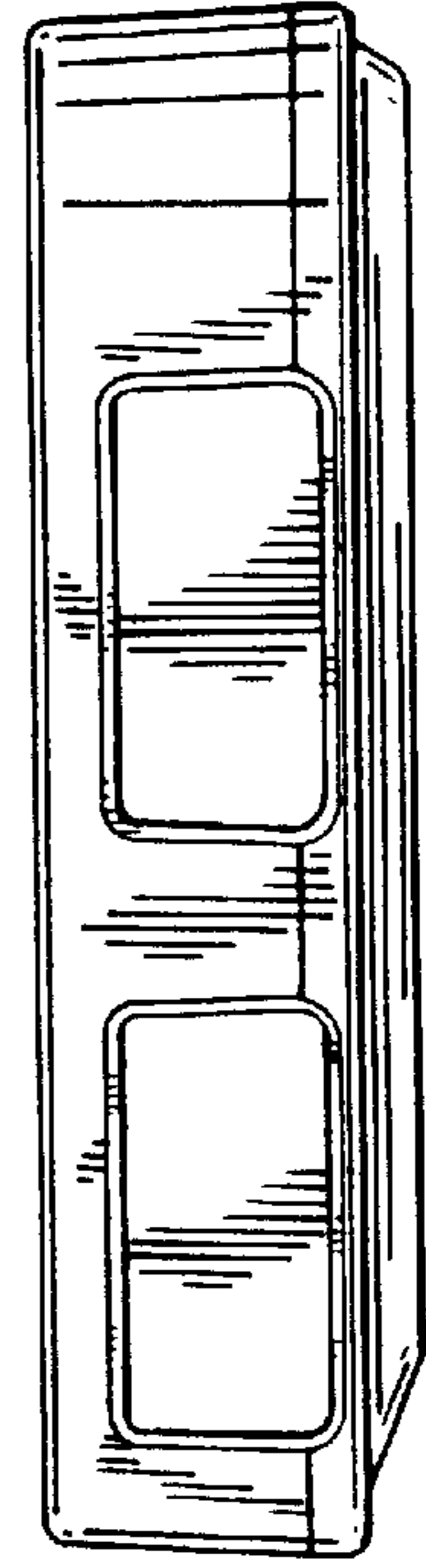


FIG. 12

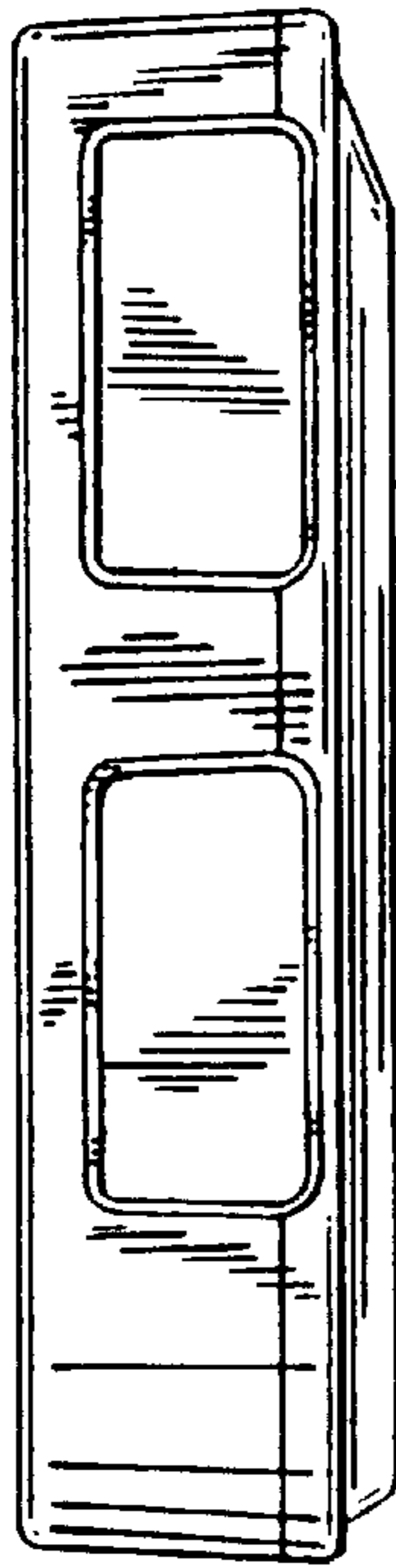


FIG. 13

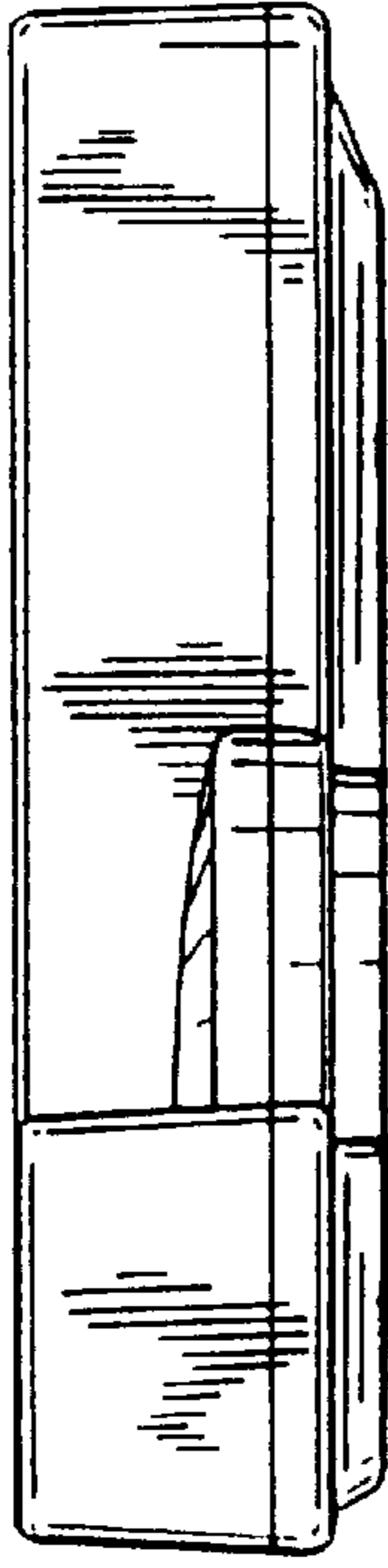


FIG. 14

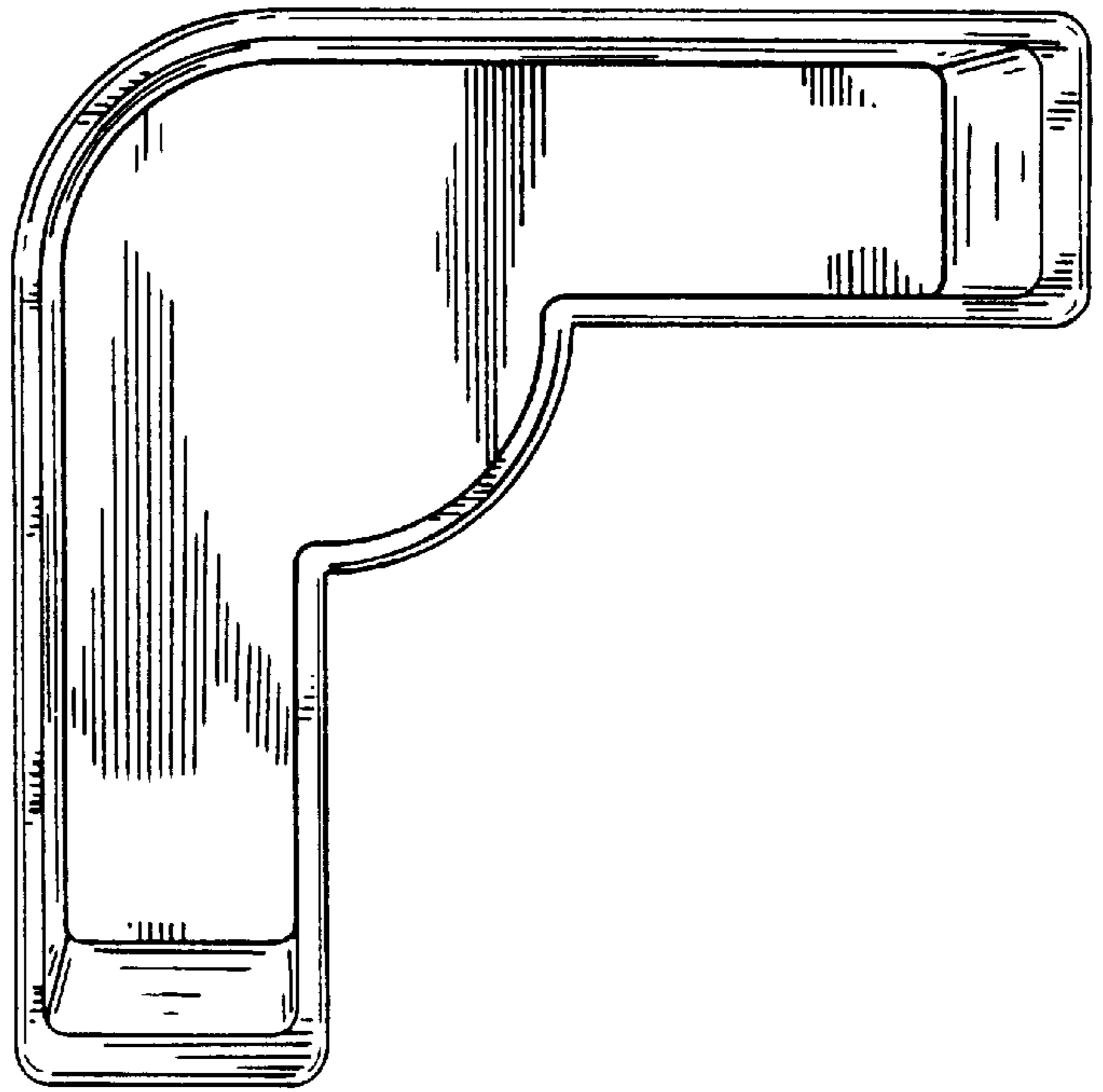


FIG. 15

