



US00D400856S

United States Patent [19] Cheung

[11] **Patent Number: Des. 400,856**

[45] **Date of Patent: **Nov. 10, 1998**

[54] **HOUSING FOR AN EXPANDABLE ELECTRIC PLUG**

[75] Inventor: **Tat-Kwong Cheung**, Kowloon, Hong Kong

[73] Assignee: **Koontat Development Company Ltd.**, Hong Kong, Hong Kong

[**] Term: **14 Years**

[21] Appl. No.: **71,696**

[22] Filed: **Jun. 4, 1997**

[51] **LOC (6) Cl. 13-03**

[52] **U.S. Cl. D13/138.2**

[58] **Field of Search** D13/138.1-138.2, D13/137.1-137.4, 139.1-139.8; 439/140-141, 152, 160, 484, 692-695, 135-137, 477, 736, 76.1, 446, 164; 337/197, 198

[56] **References Cited**

U.S. PATENT DOCUMENTS

D. 369,142	4/1996	Hedrick	D13/138.1
D. 375,292	11/1996	D'Amato	D13/137.1
1,984,181	12/1934	French	439/694
2,027,447	1/1936	Percy	439/446
5,595,503	1/1997	Pittman et al.	439/446

Primary Examiner—Susan J. Lucas
Assistant Examiner—Jennifer Rivard
Attorney, Agent, or Firm—Burns, Doane, Swecker & Mathis, L.L.P.

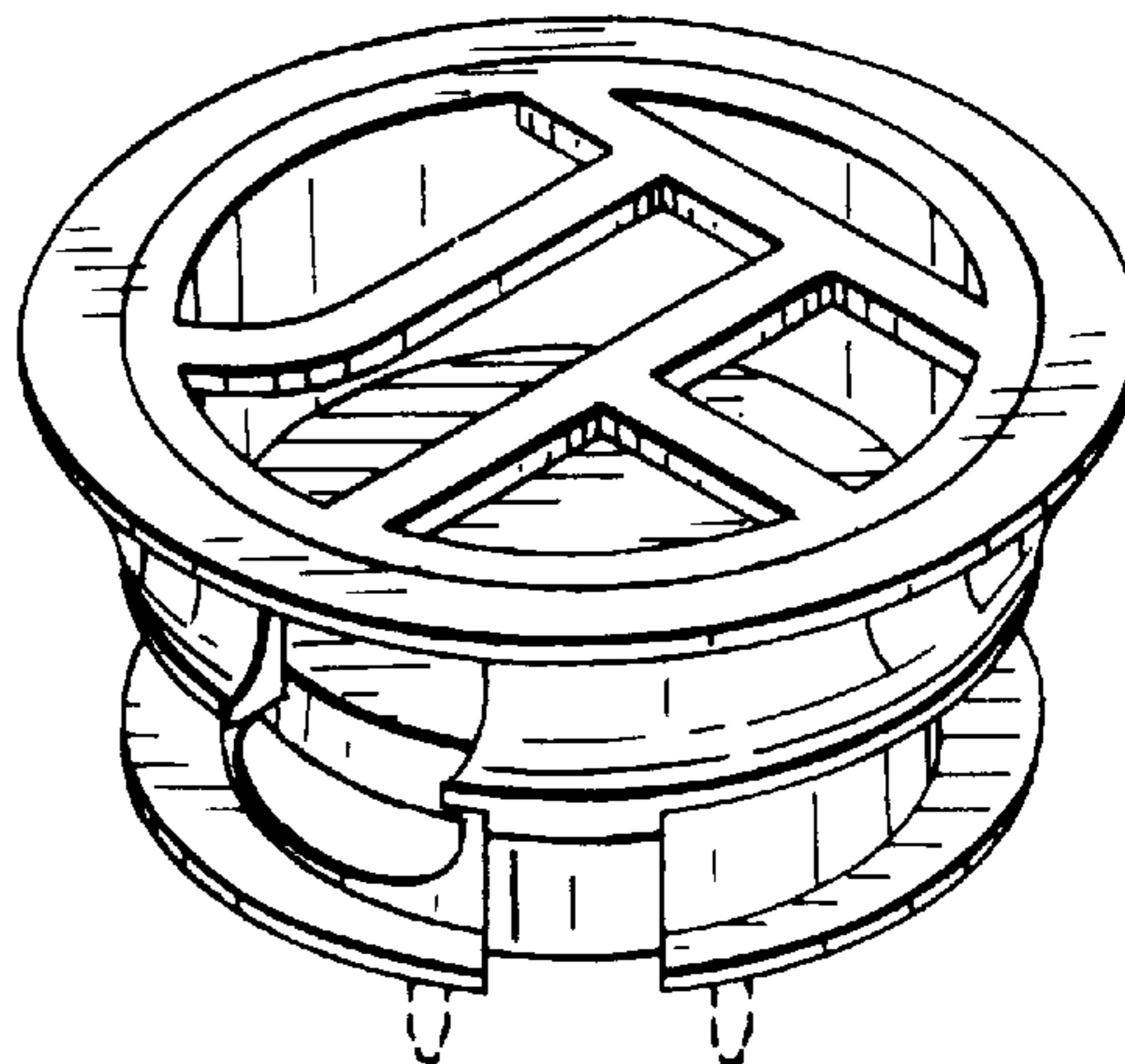
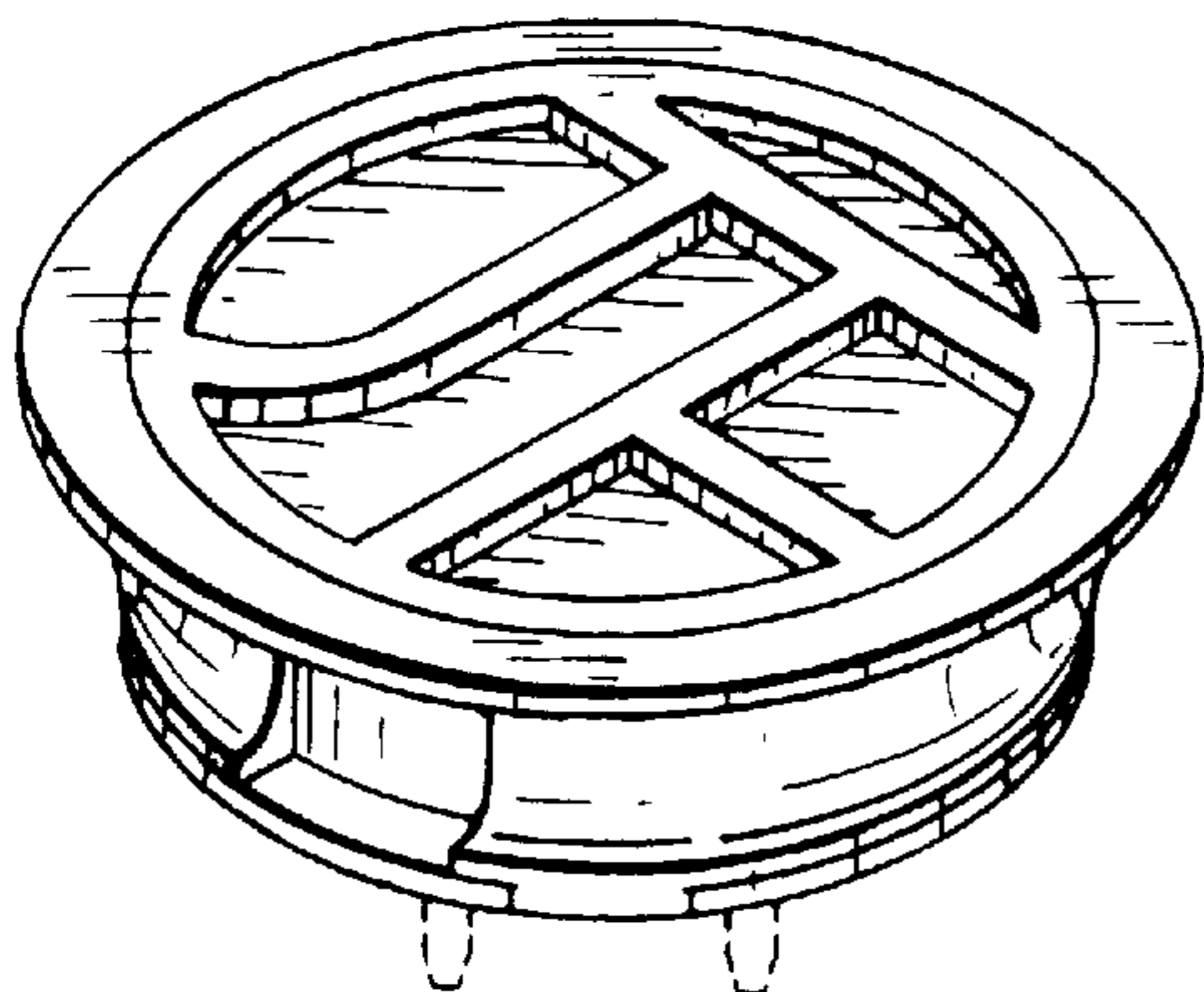
[57] **CLAIM**

The ornamental design for a housing for an expandable electric plug, as shown and described.

DESCRIPTION

FIG. 1 is a front elevation view of a housing for an expandable electric plug showing my design; FIG. 2 is a rear elevation view thereof; FIG. 3 is an elevation view from one side thereof; FIG. 4 is an elevation view from the other side thereof; FIG. 5 is a top plan view thereof; FIG. 6 is a bottom plan view thereof; FIG. 7 is a front elevation view when fully expanded thereof; FIG. 8 is a rear elevation view when fully expanded thereof; FIG. 9 is an elevation view when fully expanded from one side thereof; FIG. 10 is an elevation view when fully expanded from the other side thereof; FIG. 11 is a perspective view; and, FIG. 12 is a perspective view when fully expanded. The broken lines are shown for illustrative purposes only and form no part of the claimed design.

1 Claim, 3 Drawing Sheets



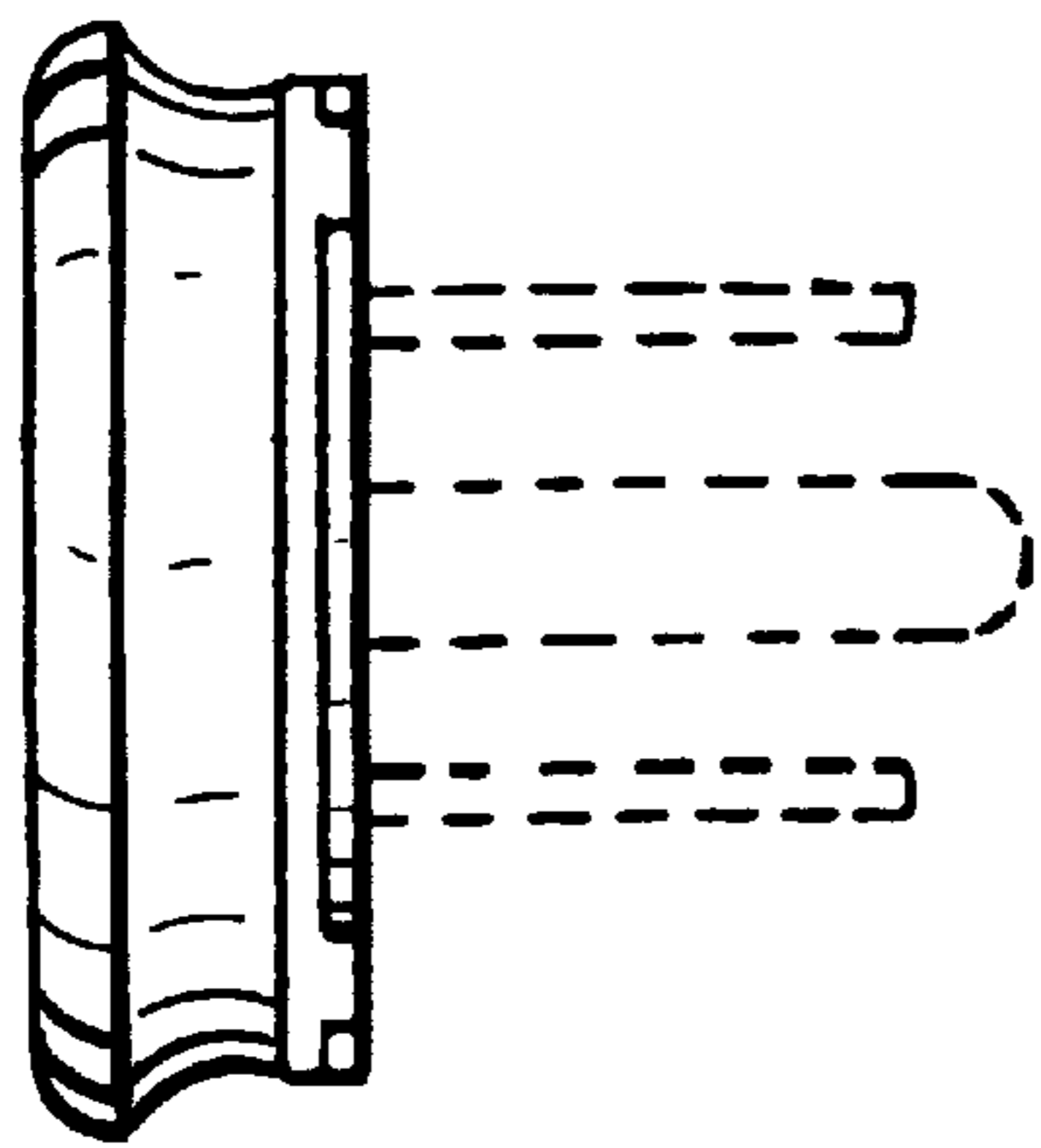


FIG. 1.

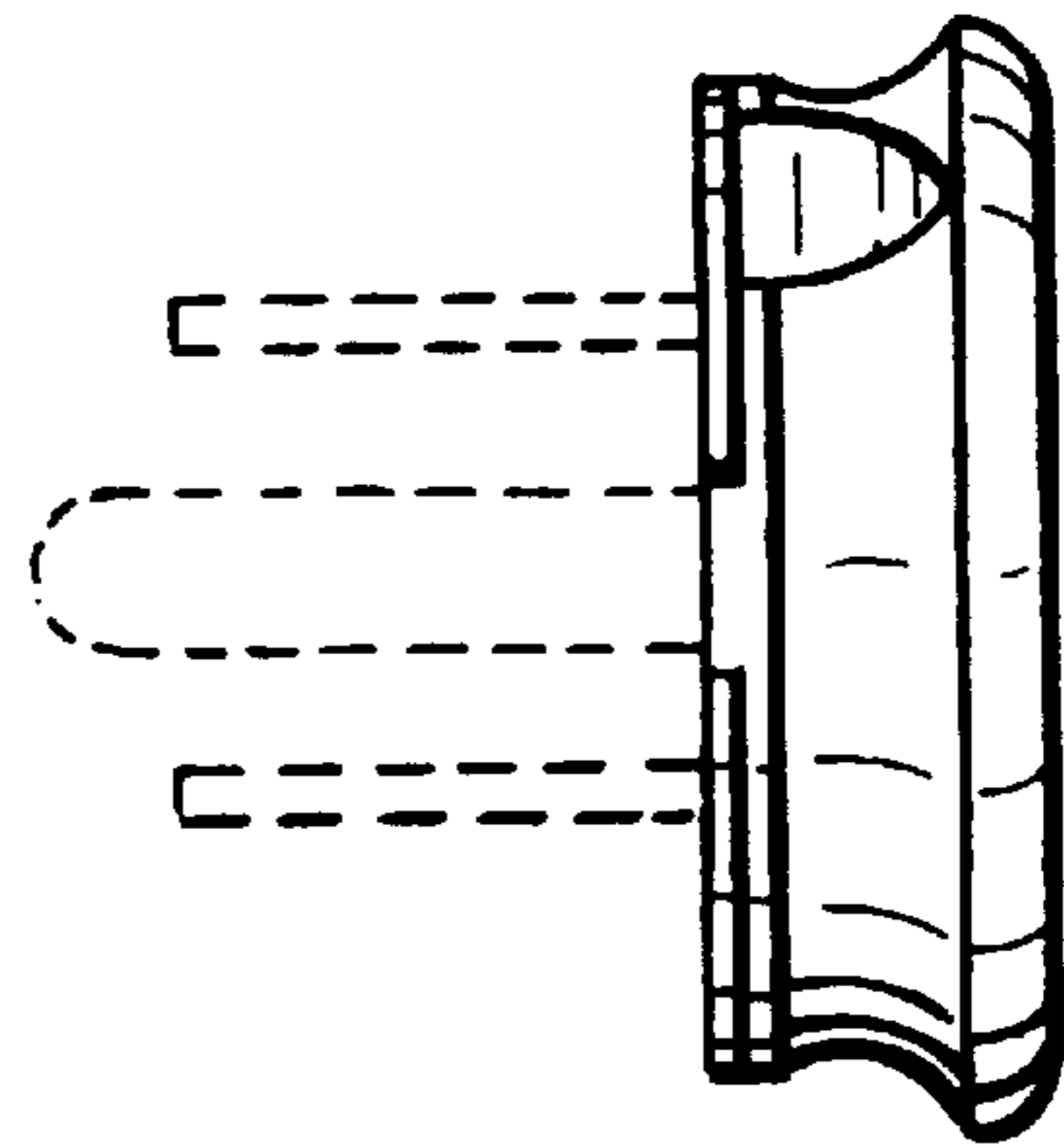


FIG. 2.

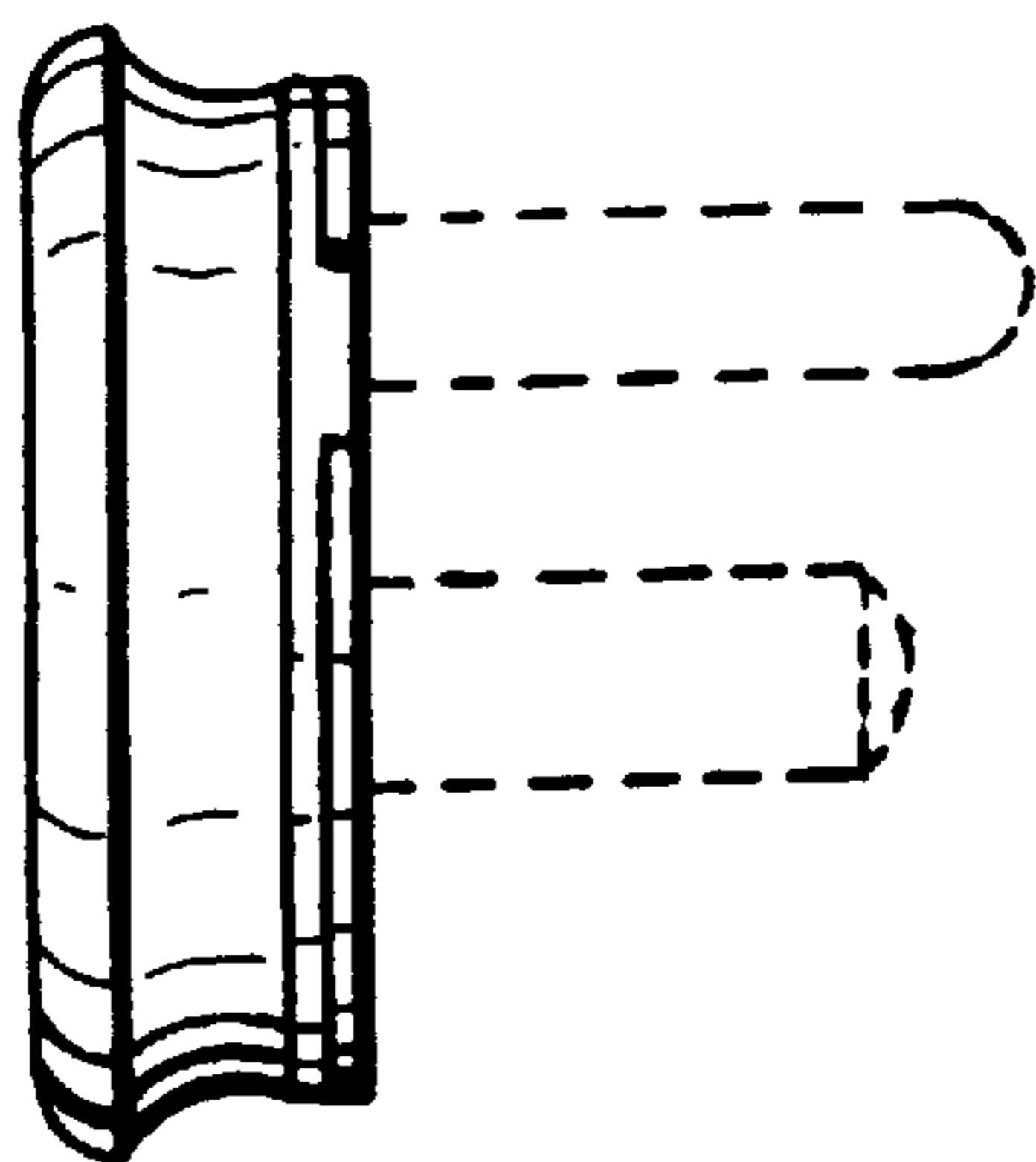


FIG. 3.

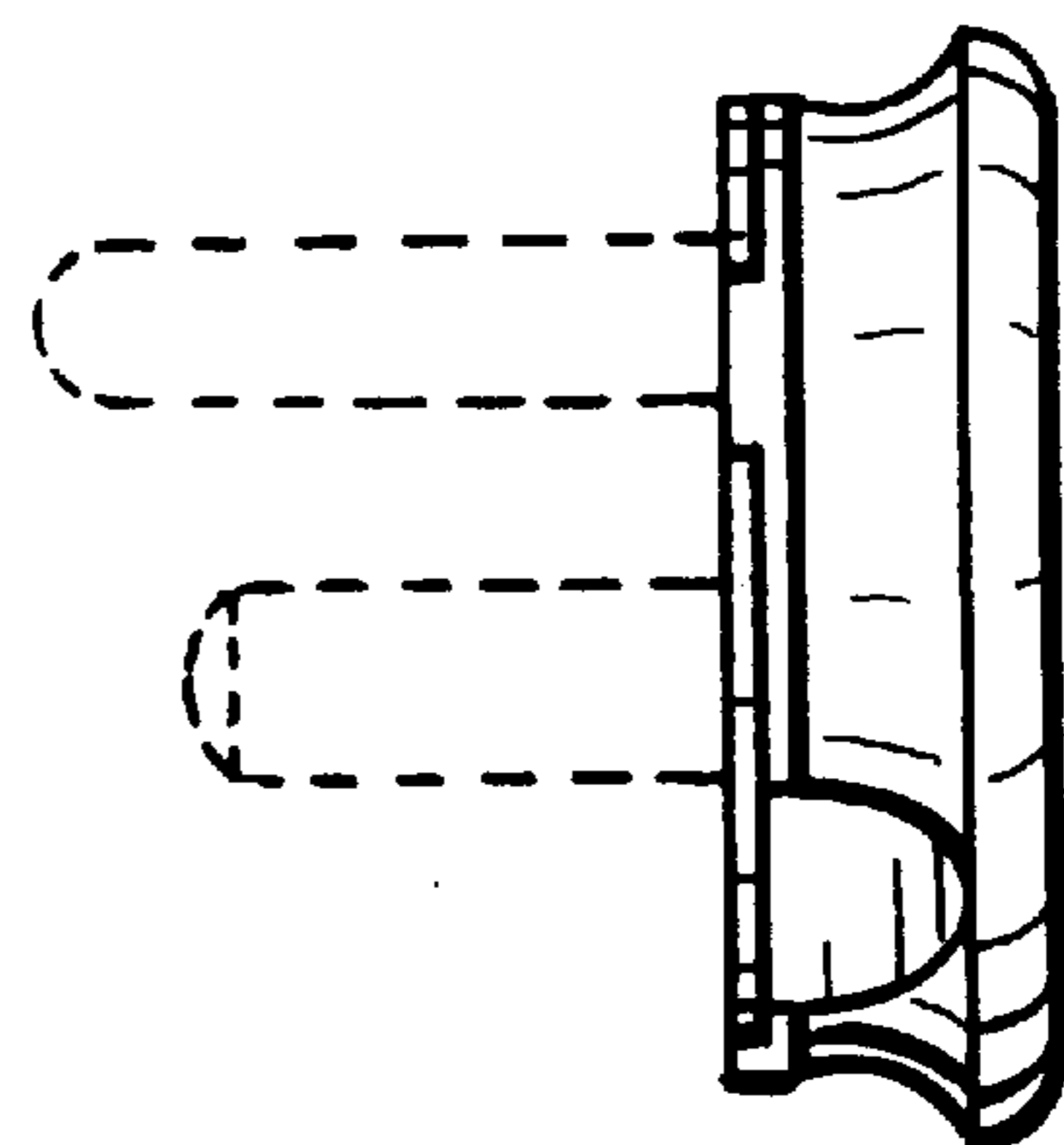


FIG. 4.

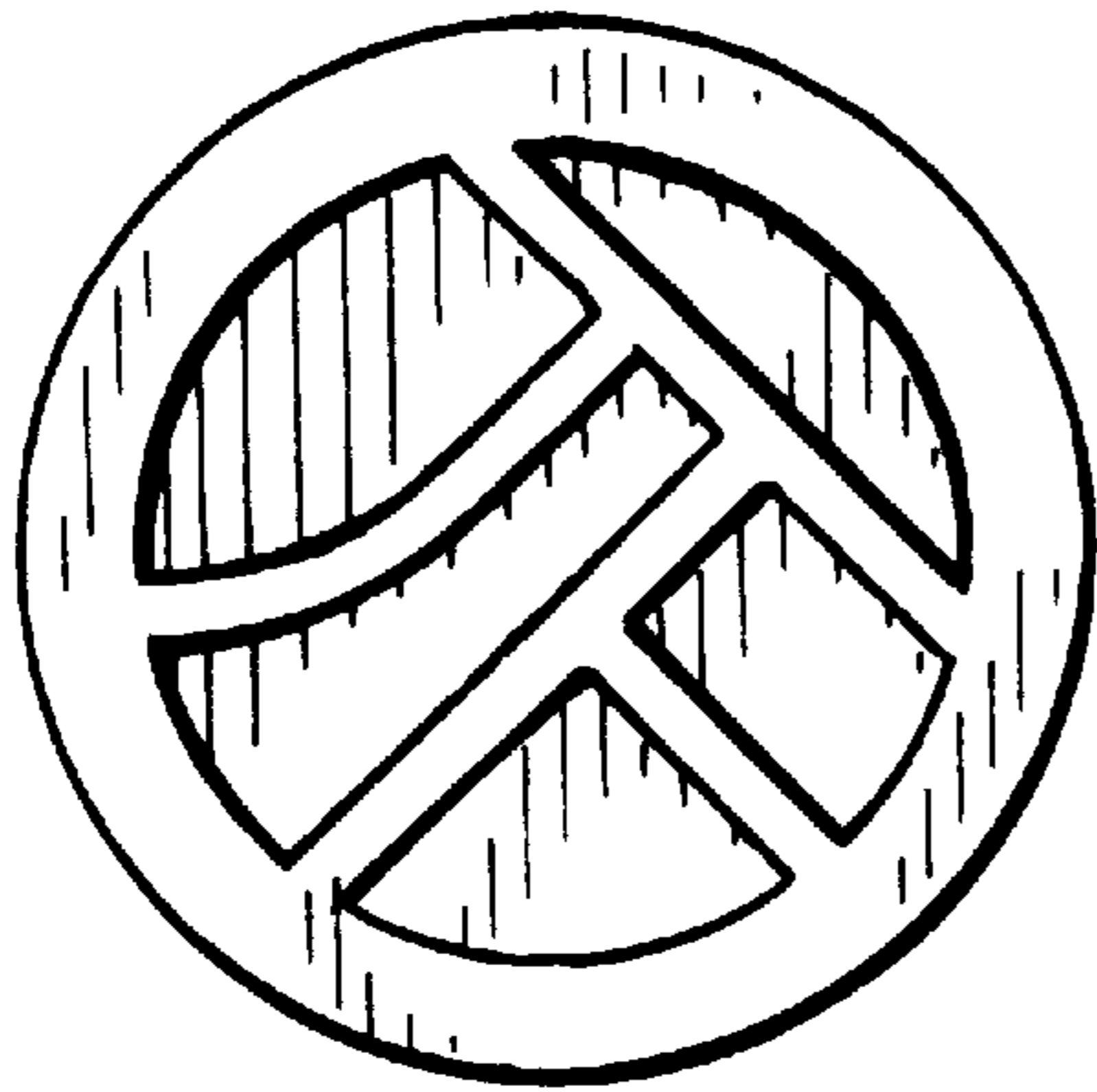


FIG. 5.

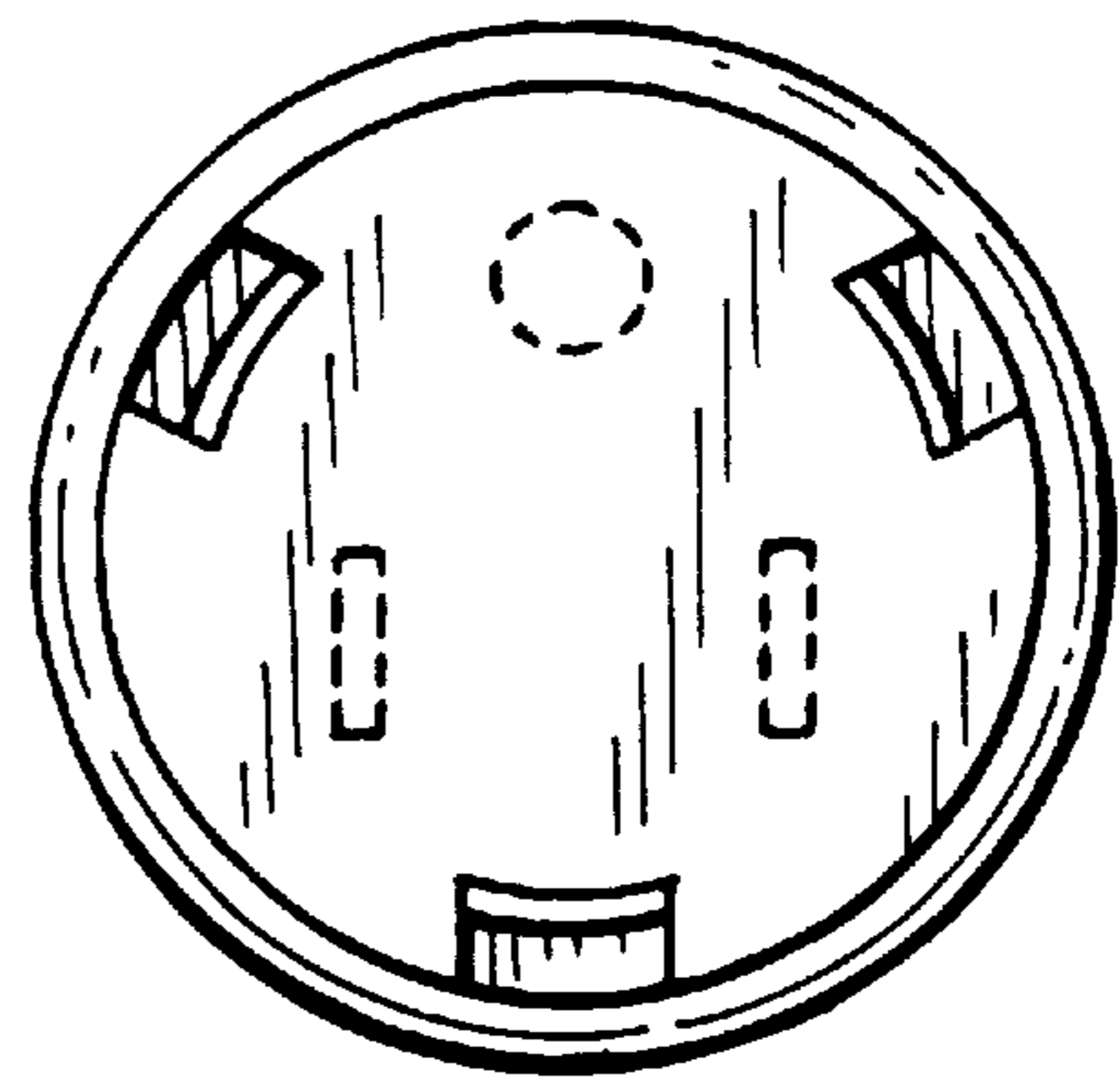


FIG. 6.

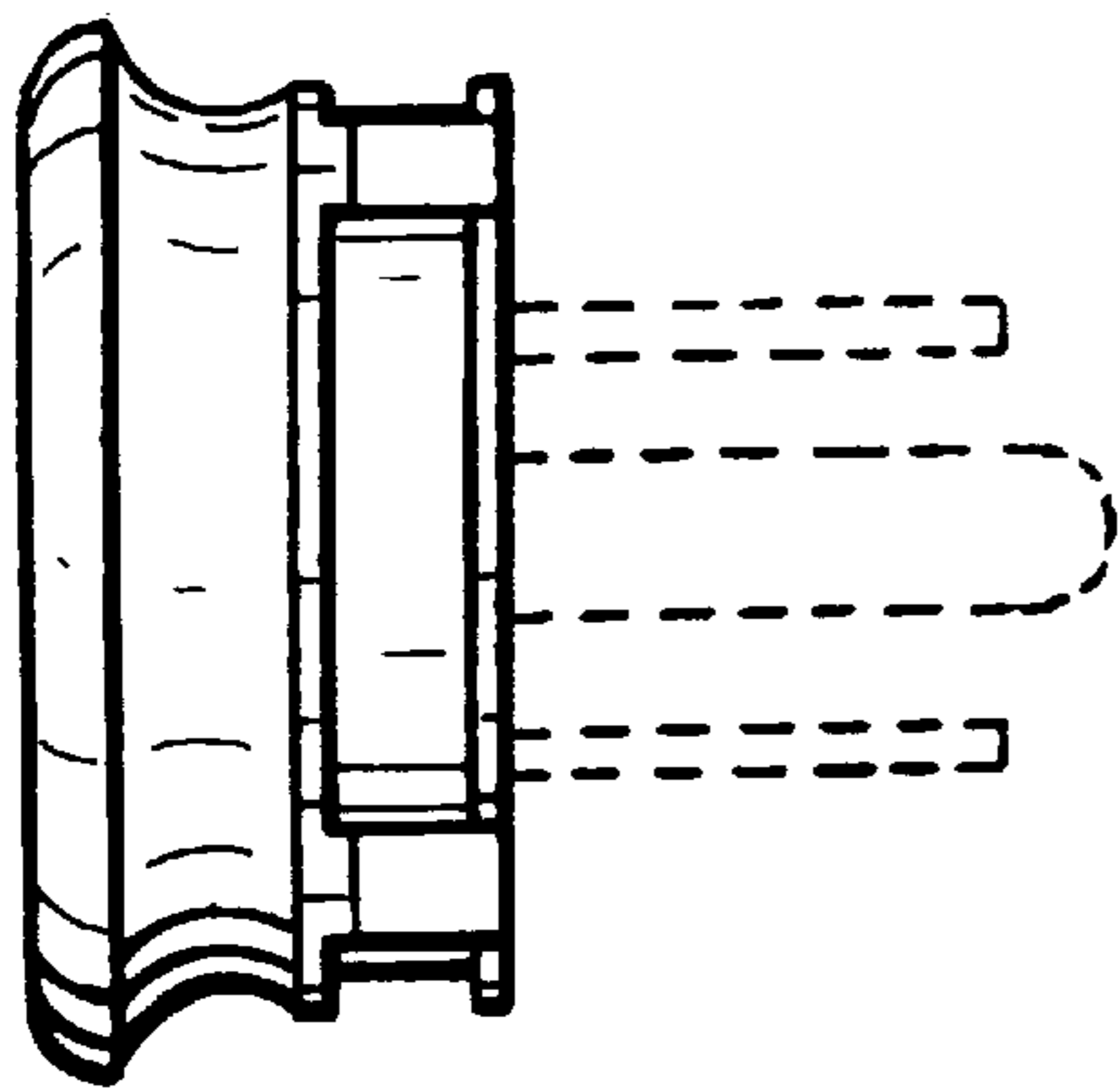


FIG. 7.

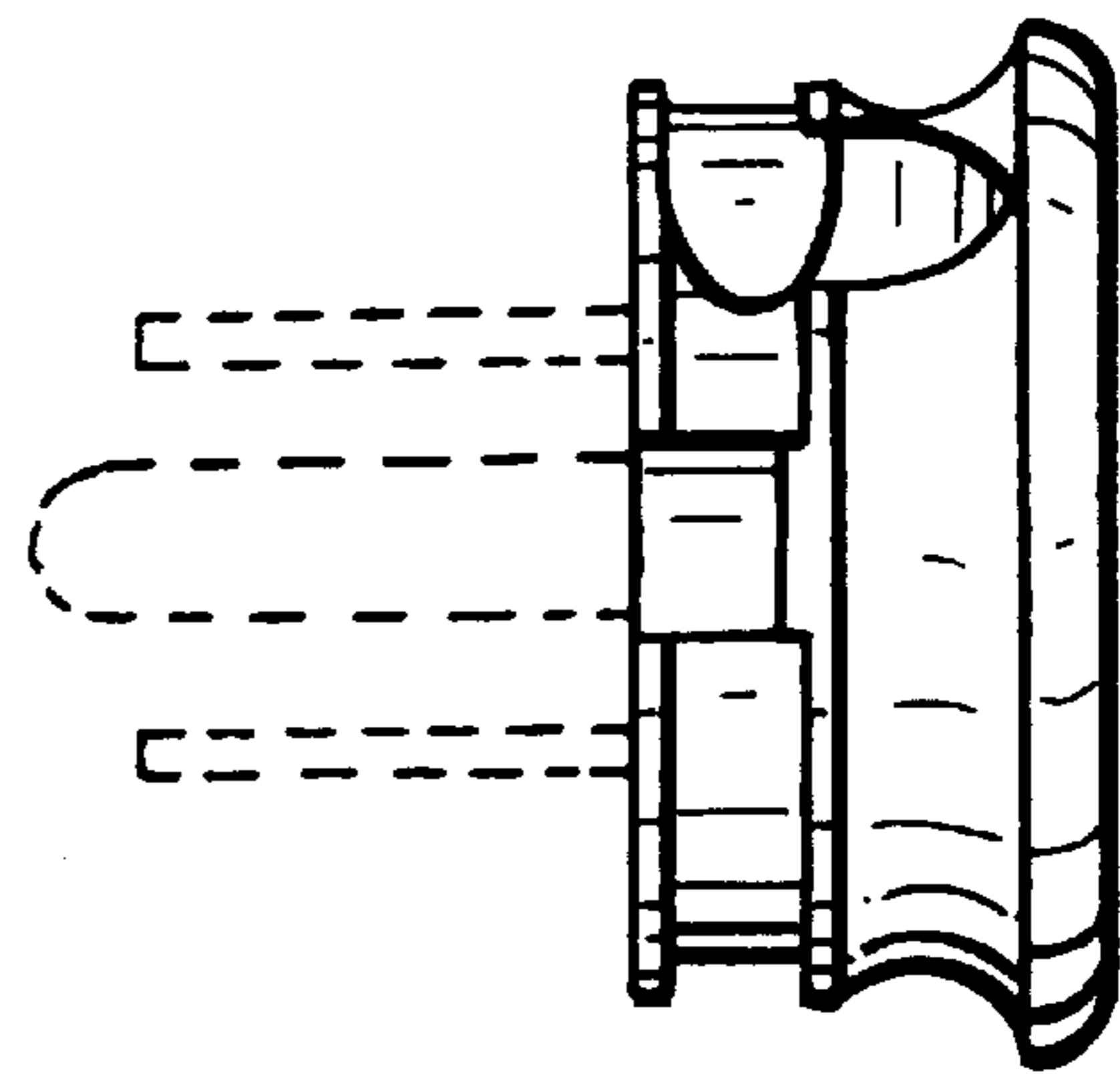


FIG. 8.

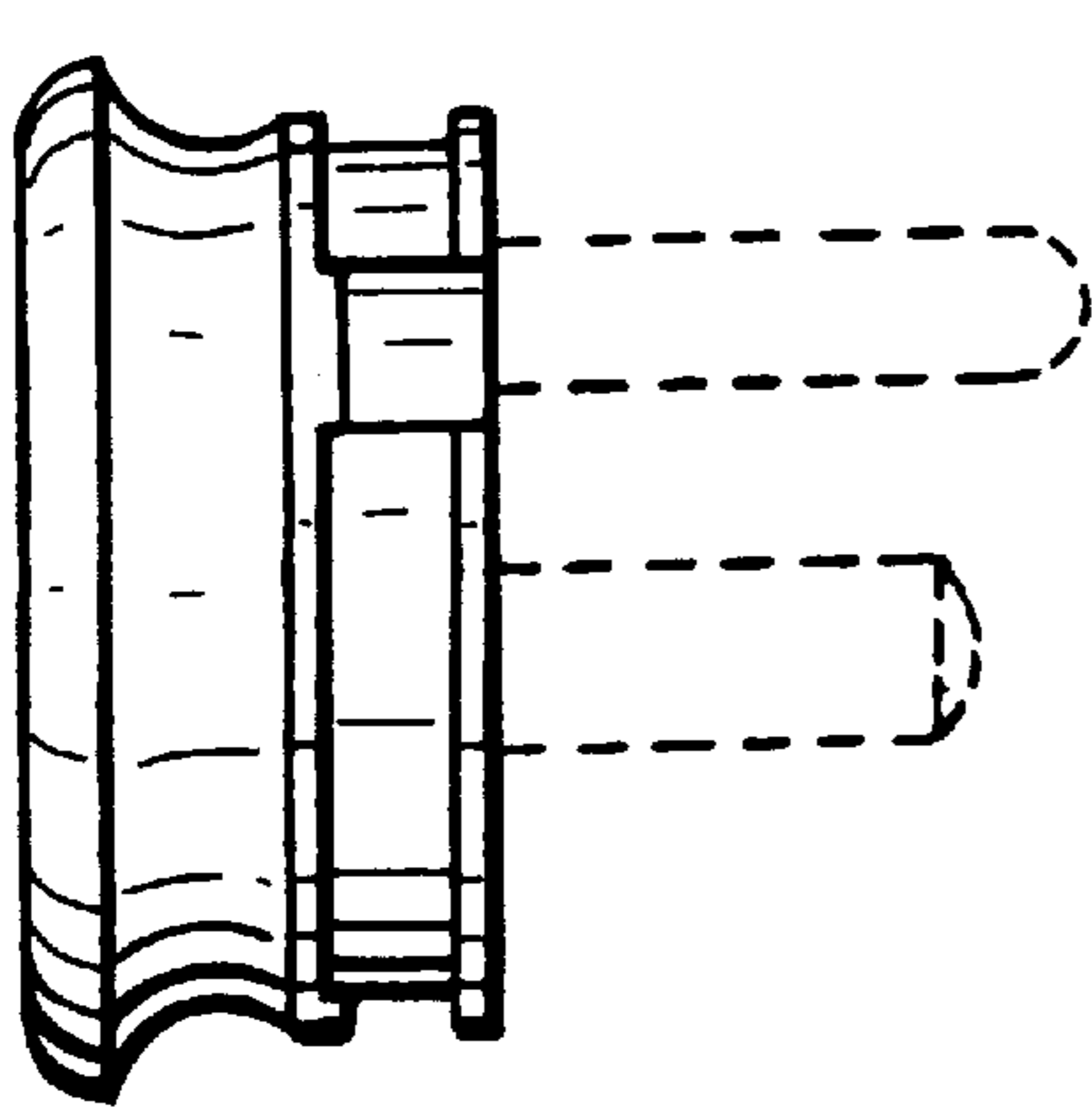


FIG. 9.

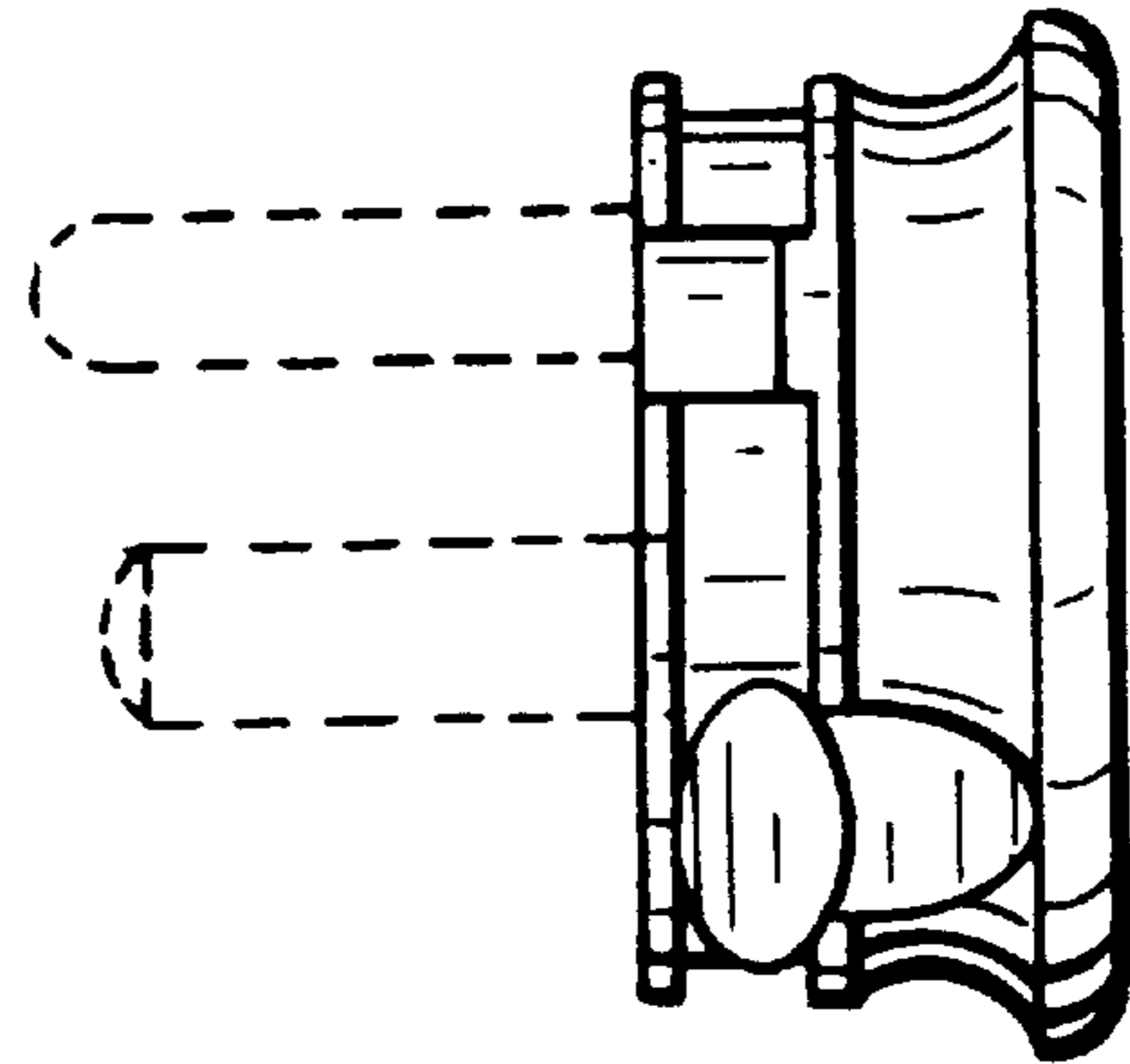


FIG. 10.

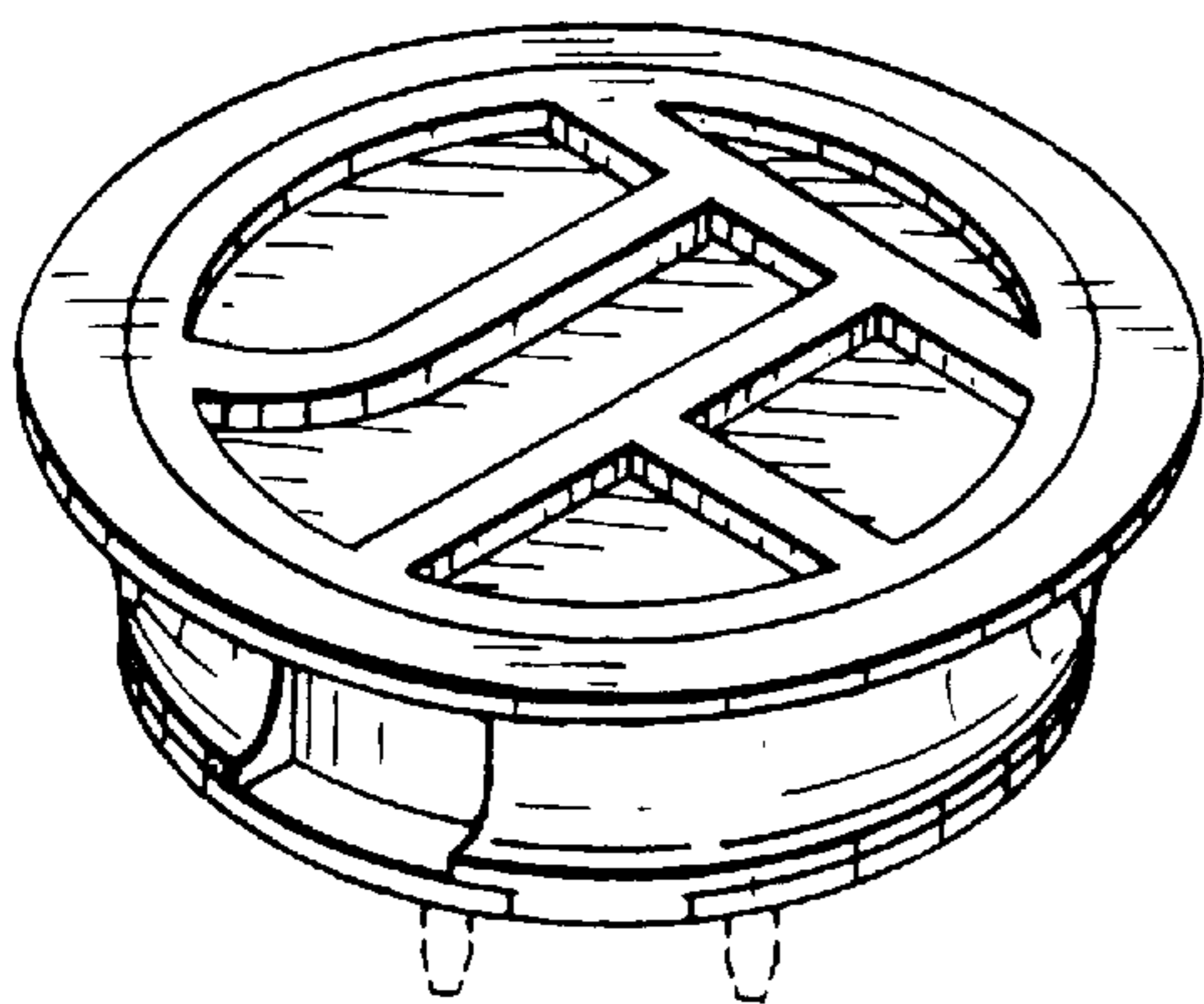


FIG. 11.

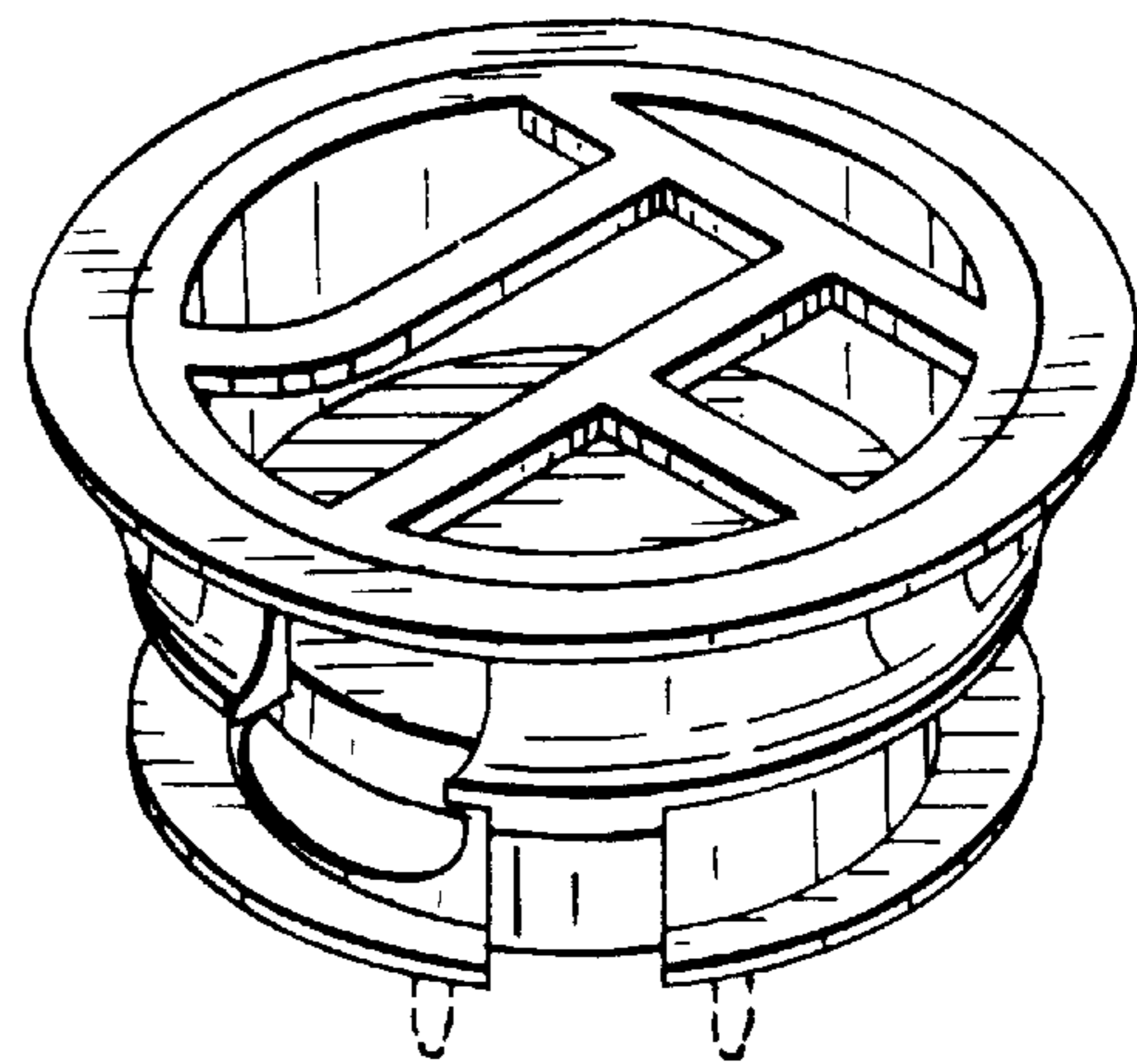


FIG. 12.