



US00D400854S

United States Patent [19]
Beranek

[11] **Patent Number: Des. 400,854**

[45] **Date of Patent: **Nov. 10, 1998**

[54] **ELECTRICAL POWER SUPPLY PLUG**

[75] Inventor: **Ernst Beranek**, Vienna, Austria

[73] Assignee: **EGSTON Eggenburger System
Elektronik Ges.m.b.H.**, Eggenburg,
Austria

[**] Term: **14 Years**

[21] Appl. No.: **69,069**

[22] Filed: **Mar. 24, 1997**

Related U.S. Application Data

[62] Division of Ser. No. 033,721, Jan. 19, 1995.

[51] **LOC (6) Cl.** **13-03**

[52] **U.S. Cl.** **D13/133**

[58] **Field of Search** D13/137, 138;
439/597, 600, 606, 692, 694, 699

[56] **References Cited**

U.S. PATENT DOCUMENTS

2,954,541	9/1960	King	439/600
3,996,546	12/1976	Hugly	336/107
5,041,013	8/1991	Greenbaum	439/425

Primary Examiner—Joel Sincavage
Attorney, Agent, or Firm—Henry M. Feiereisen

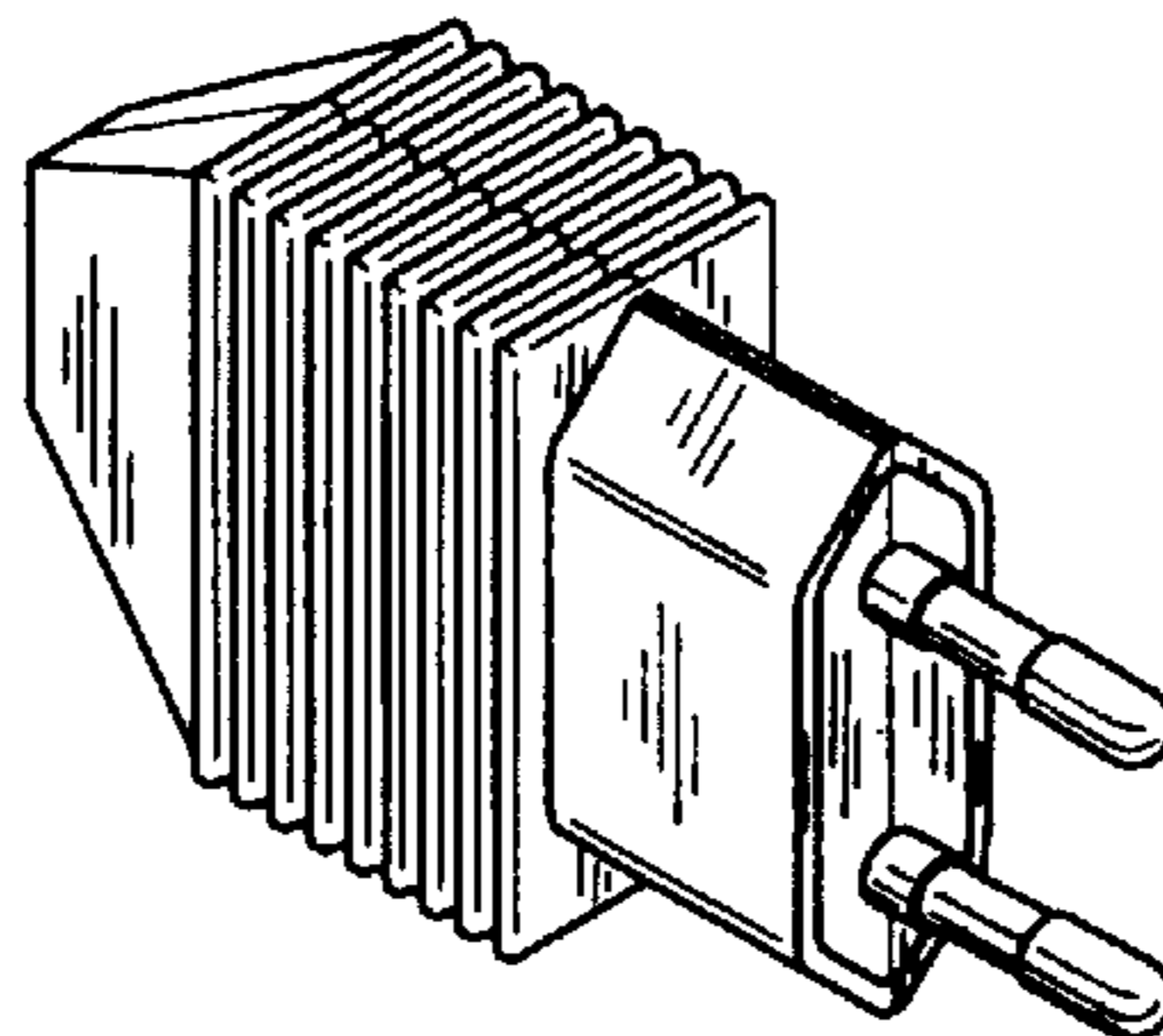
[57] **CLAIM**

The ornamental design for an electrical power supply plug,
as shown and described.

DESCRIPTION

FIG. 1 is a side elevational view of an electrical power supply plug showing my new design;
FIG. 2 is a bottom plan view thereof;
FIG. 3 is a side elevational view thereof as seen from the opposite side of FIG. 1;
FIG. 4 is a front elevational view thereof;
FIG. 5 is a top, front and side perspective view thereof;
FIG. 6 is a rear elevational view thereof;
FIG. 7 is a top, rear and side perspective view thereof;
FIG. 8 is a top plan view thereof;
FIG. 9 is a bottom, front and side perspective view thereof;
FIG. 10 is a side elevational view of another embodiment of my new design, the opposite side being a mirror image;
FIG. 11 is a top plan view thereof, the bottom side being a mirror image; and,
FIG. 12 is a front elevational view thereof.

1 Claim, 2 Drawing Sheets



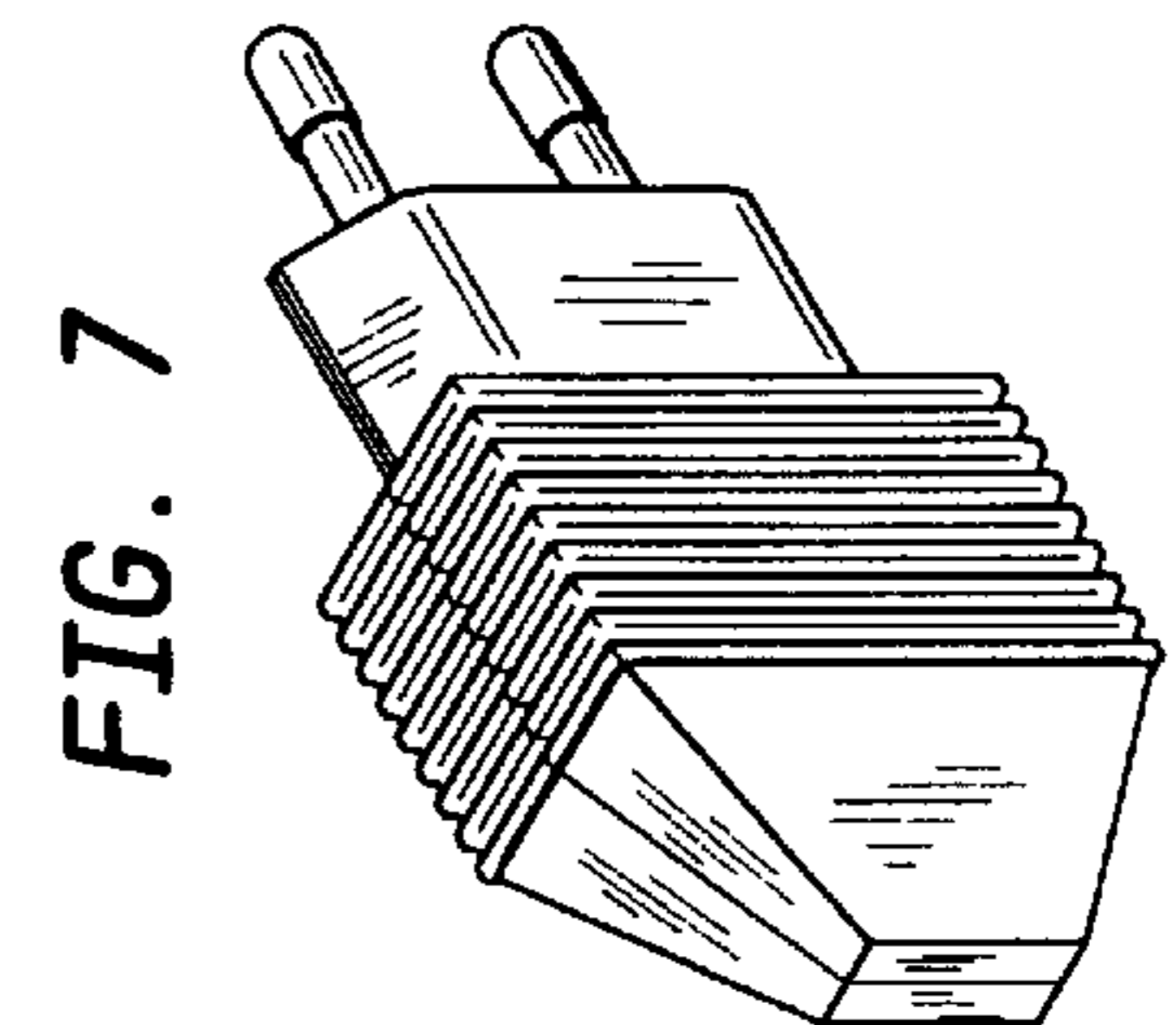
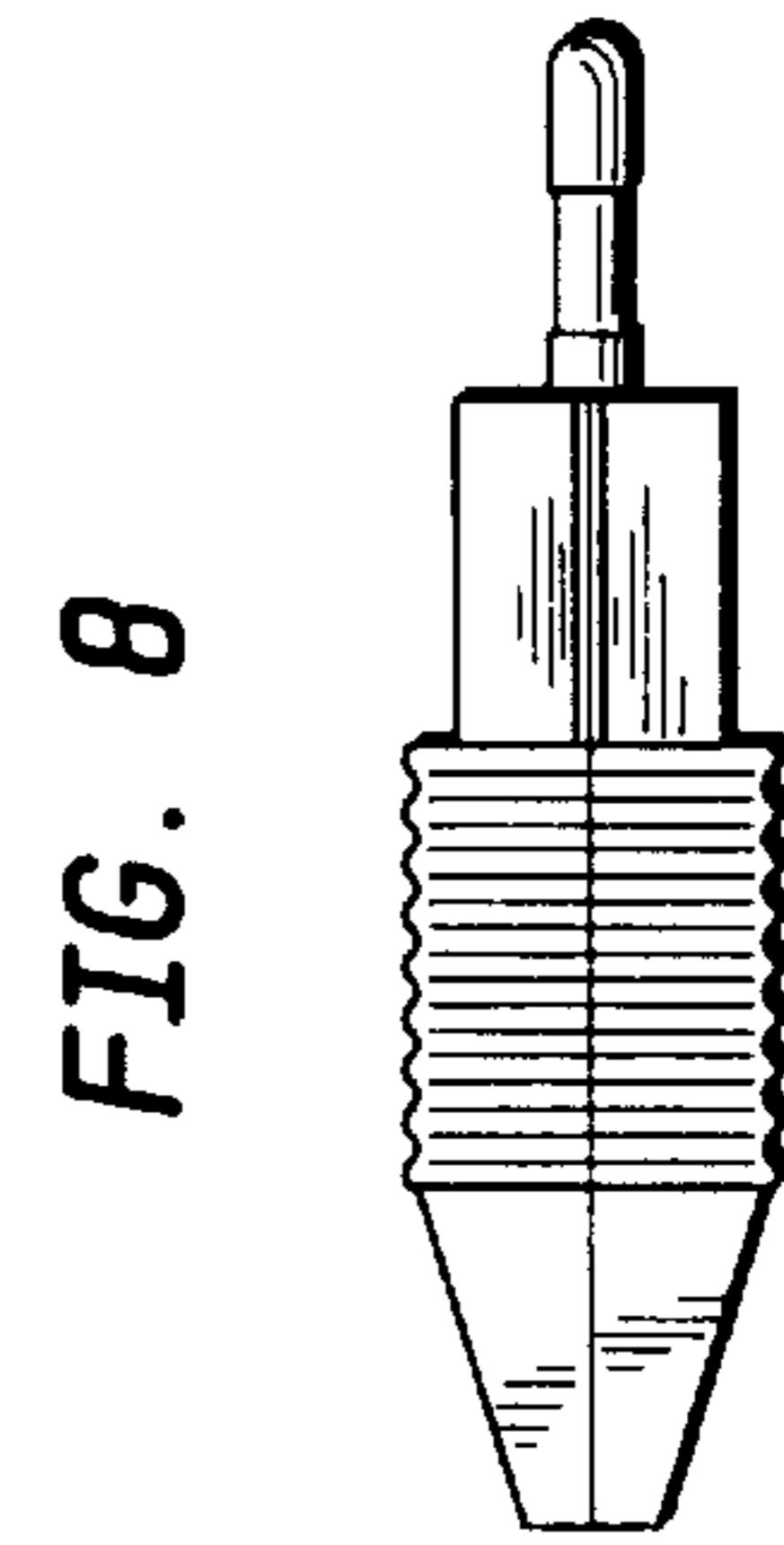
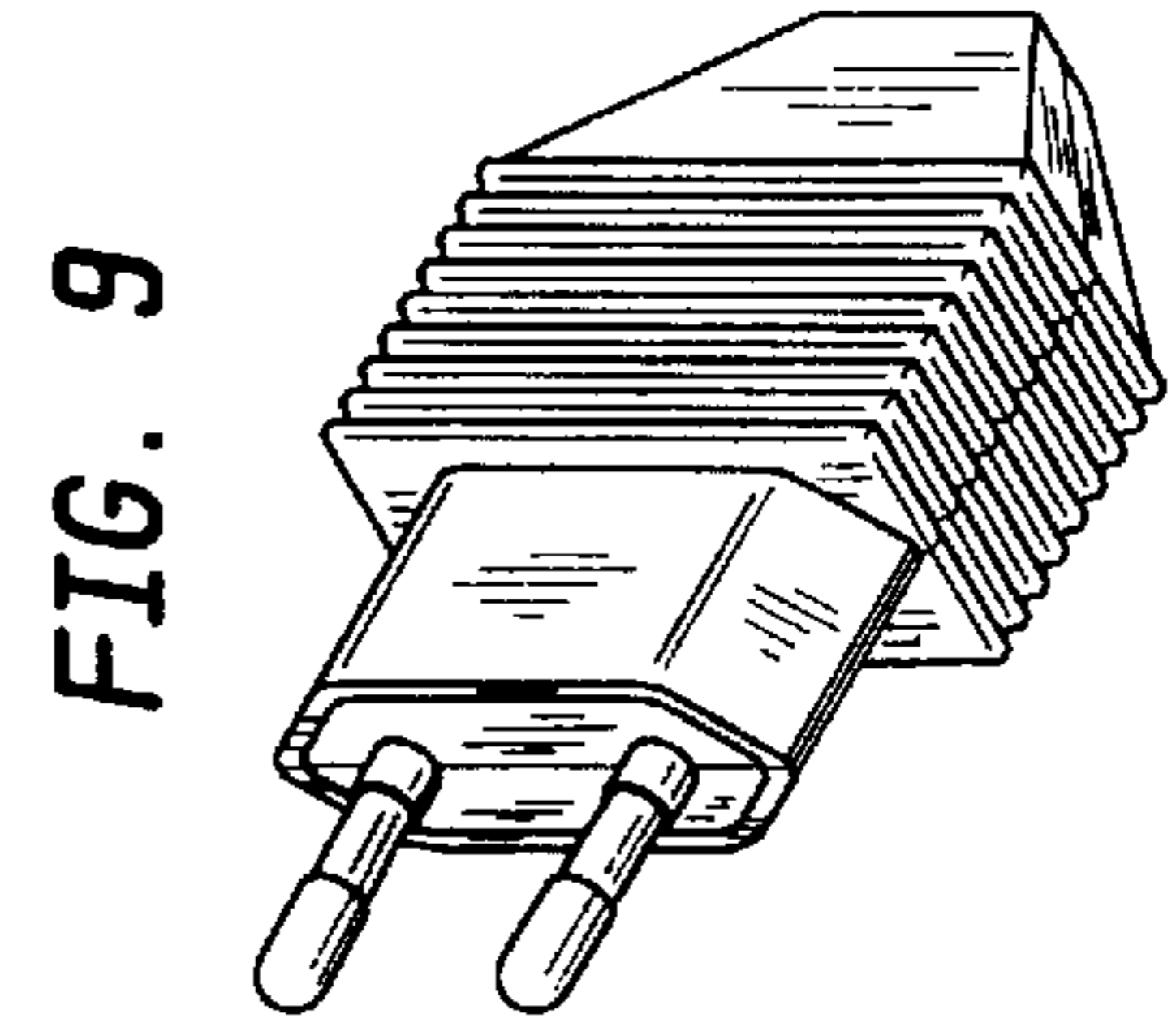
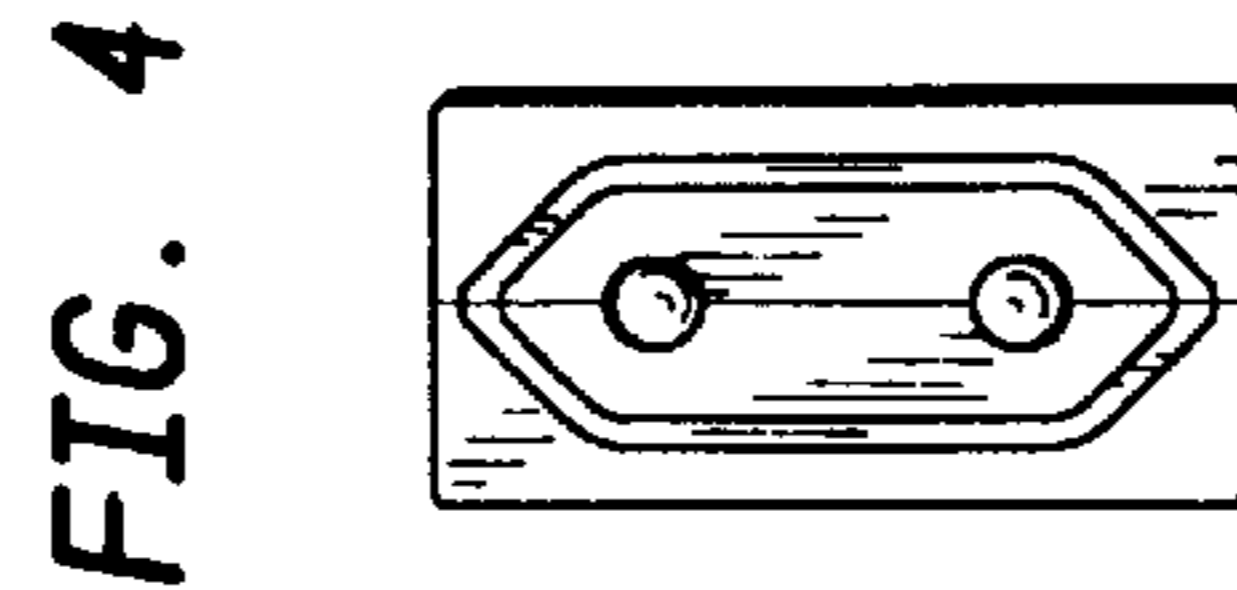
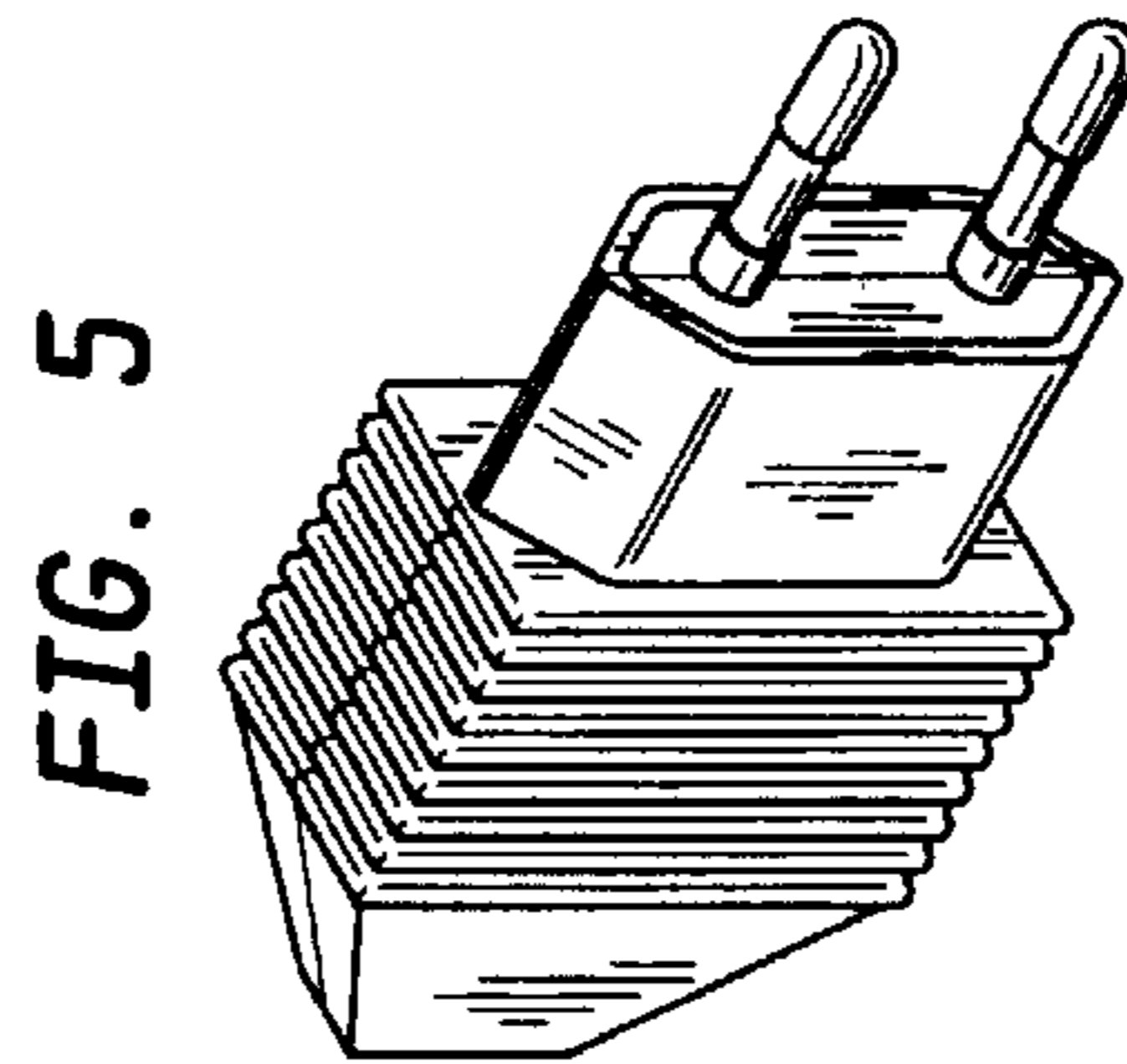
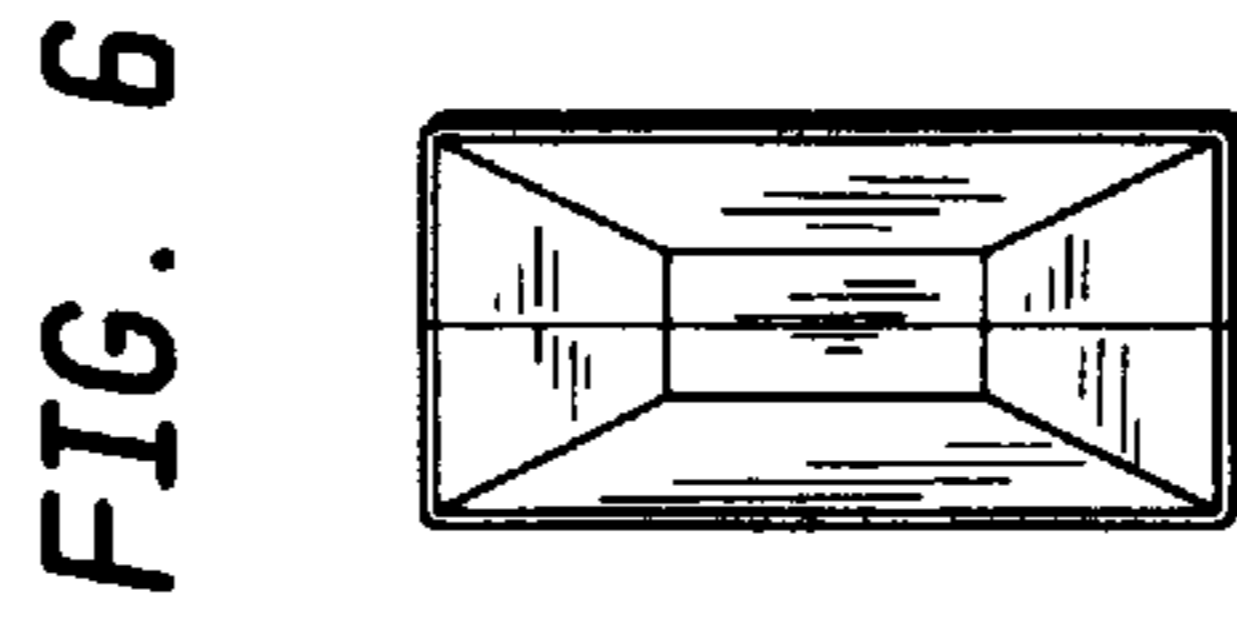
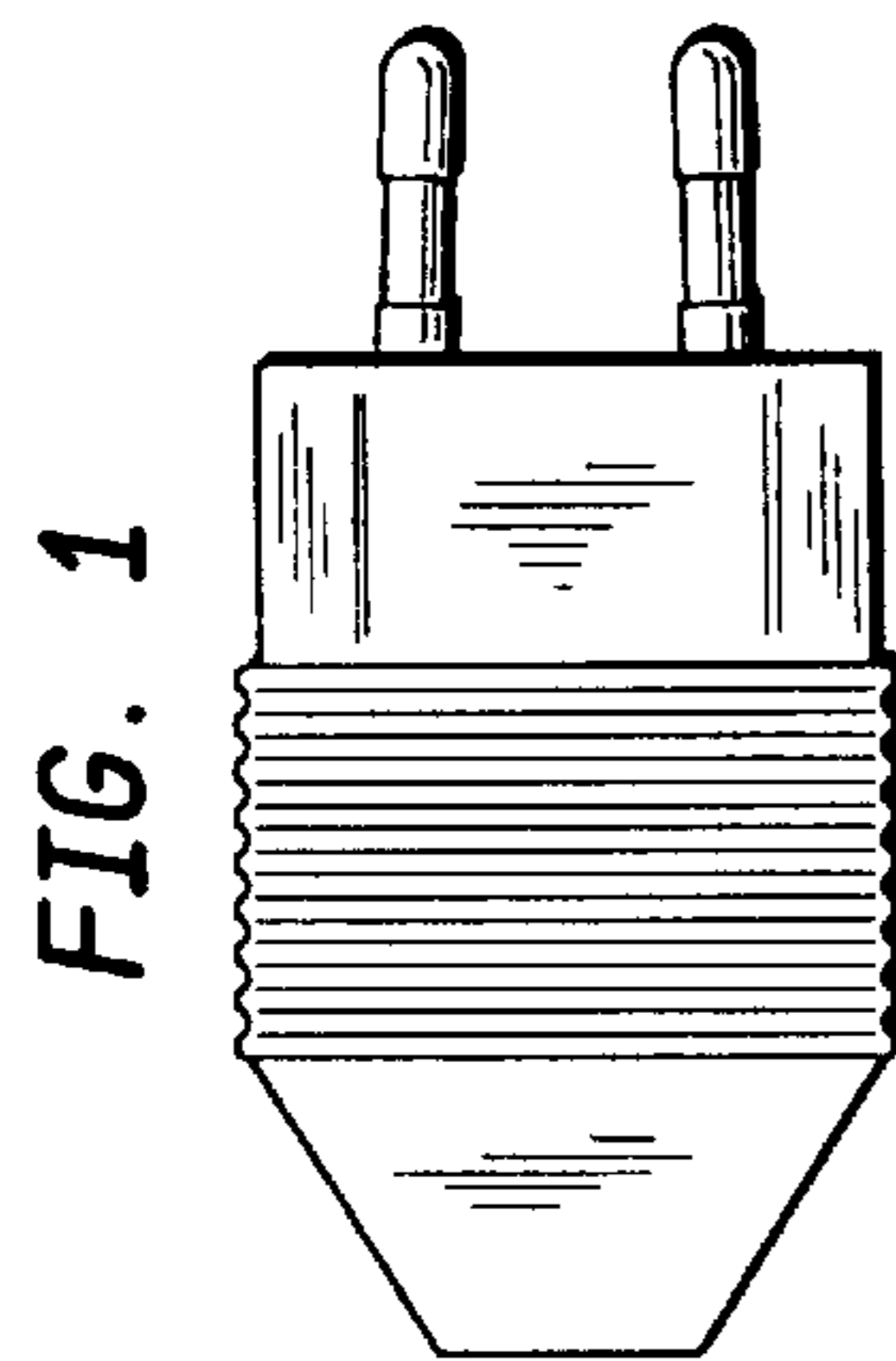
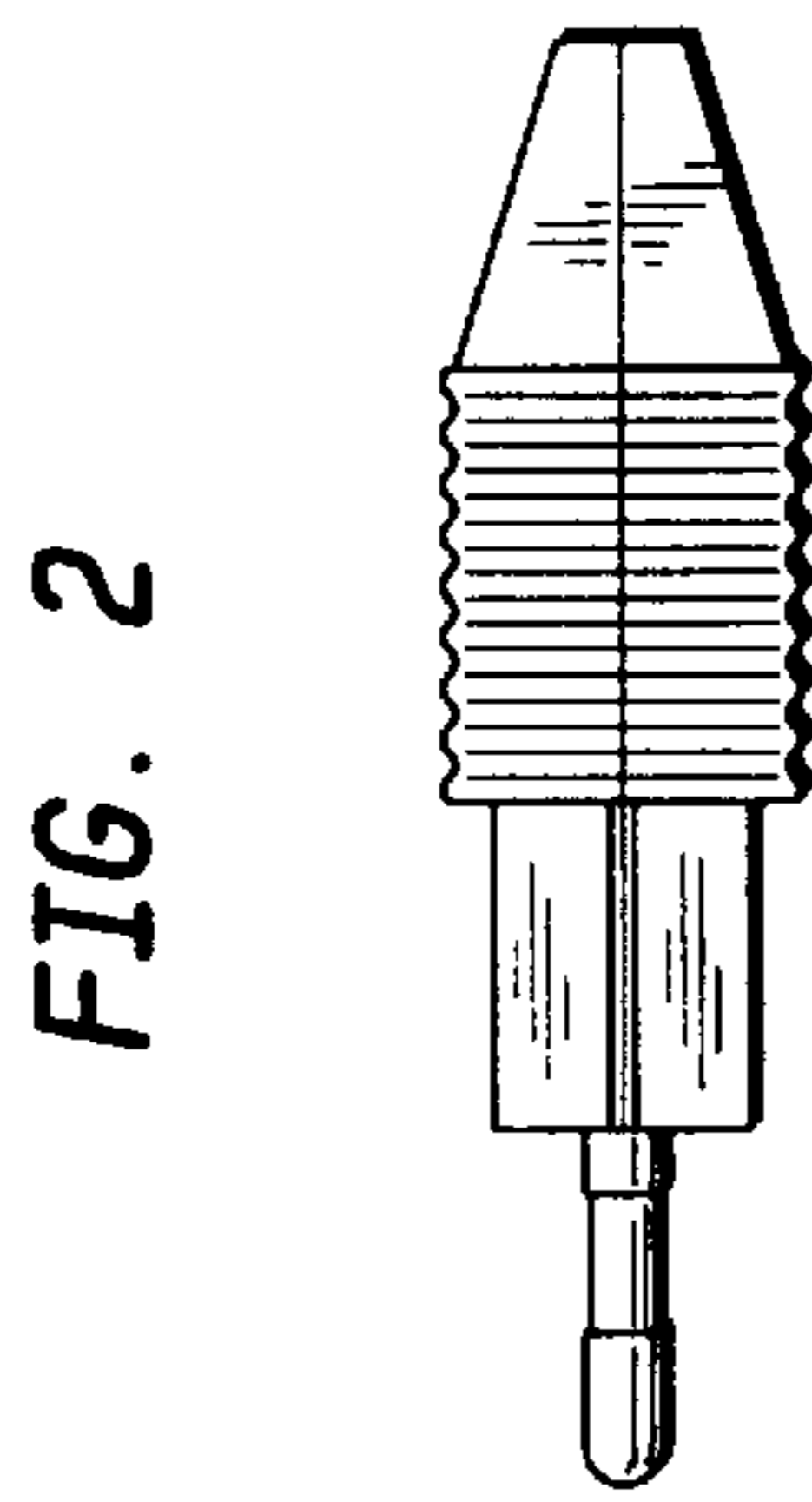
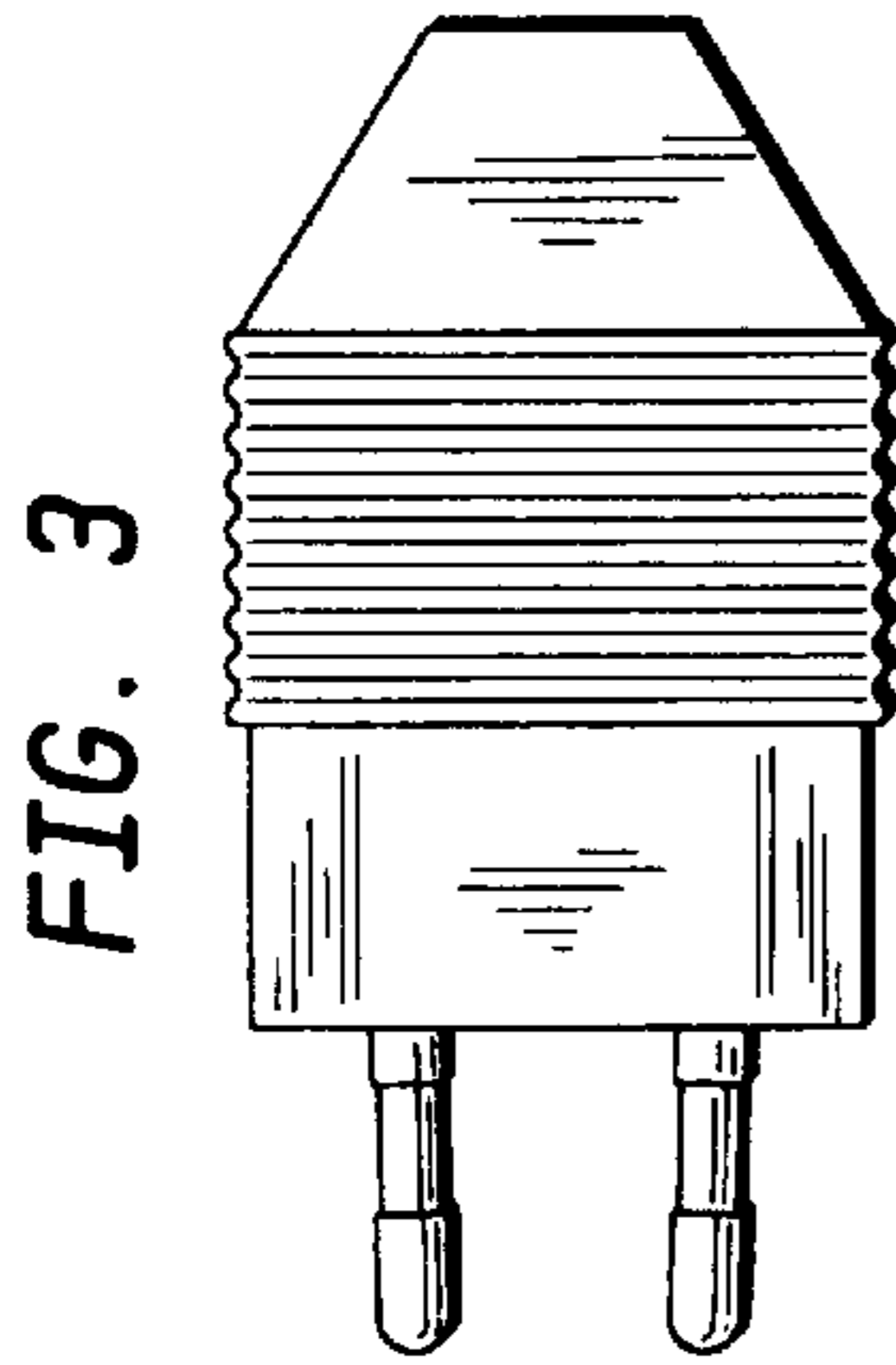


FIG. 10

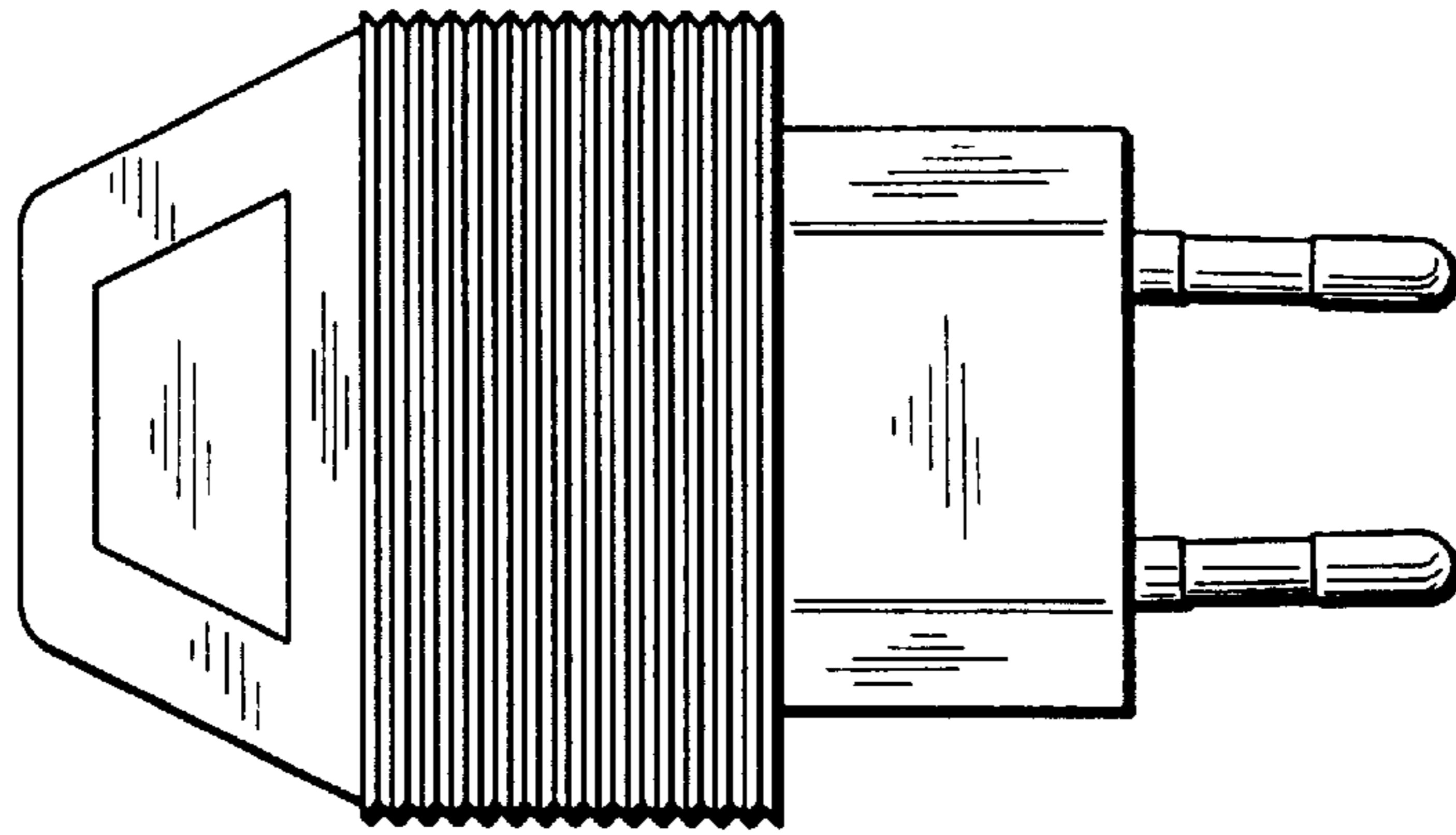


FIG. 11

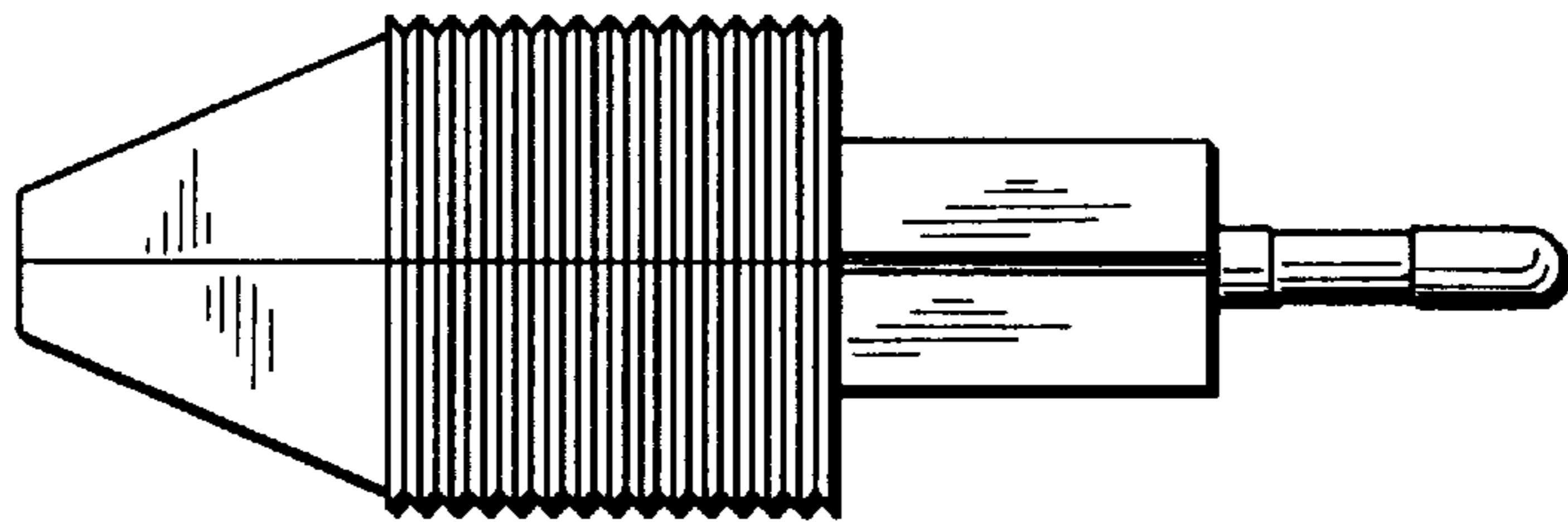


FIG. 12

