



US00D400851S

# United States Patent [19] Culver

[11] Patent Number: Des. 400,851

[45] Date of Patent: \*\*Nov. 10, 1998

[54] BATTERY HOLDER AND RECHARGER

Primary Examiner—Joel Sincavage

[76] Inventor: Steven L. Culver, 9616 Corinth Rd., Jonesboro, Ga. 30236

[57] CLAIM

[\*\*] Term: 14 Years

The ornamental design for a battery holder and recharger, as shown and described.

[21] Appl. No.: 79,826

### DESCRIPTION

[22] Filed: Nov. 19, 1997

FIG. 1 is a front elevational view of the battery holder and recharger of the present invention;

[51] LOC (6) Cl. .... 13-02

FIG. 2 is a back elevational view of the battery holder and recharger of FIG. 1;

[52] U.S. Cl. .... D13/107

FIG. 3 is a left side elevational view of the battery holder and recharger of FIG. 1;

[58] Field of Search ..... D13/107, 108, D13/118; 320/110-115

FIG. 4 is a right side elevational view of the battery holder and recharger of FIG. 1;

### [56] References Cited

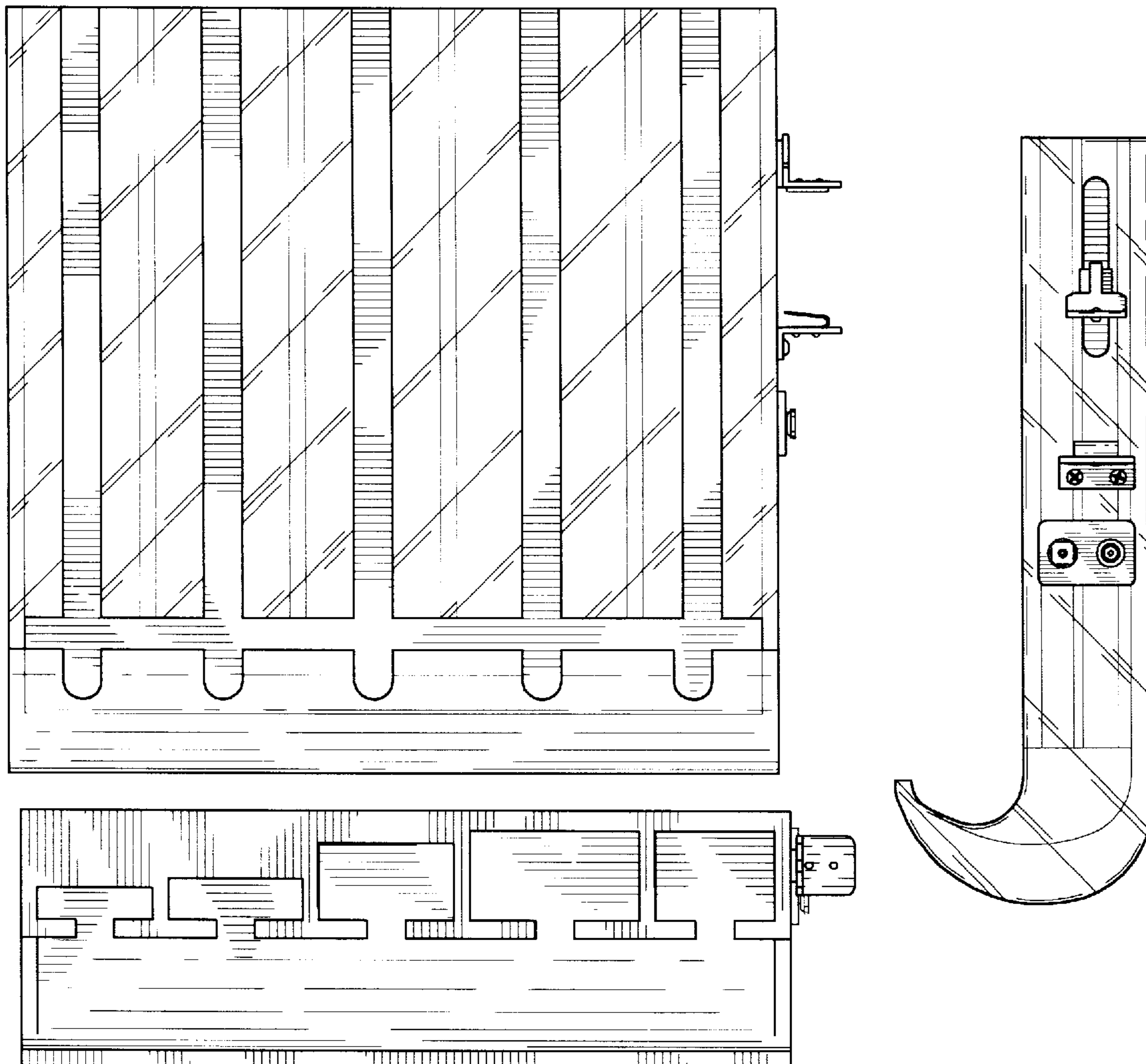
#### U.S. PATENT DOCUMENTS

3,579,075	5/1971	Floyd	.....	320/110
4,403,182	9/1983	Yeh	.....	320/110
4,808,904	2/1989	Ricaud et al.	.....	320/101
5,057,761	10/1991	Felegyhazi, Sr.	.....	320/110
5,606,238	2/1997	Spellman et al.	.....	320/110

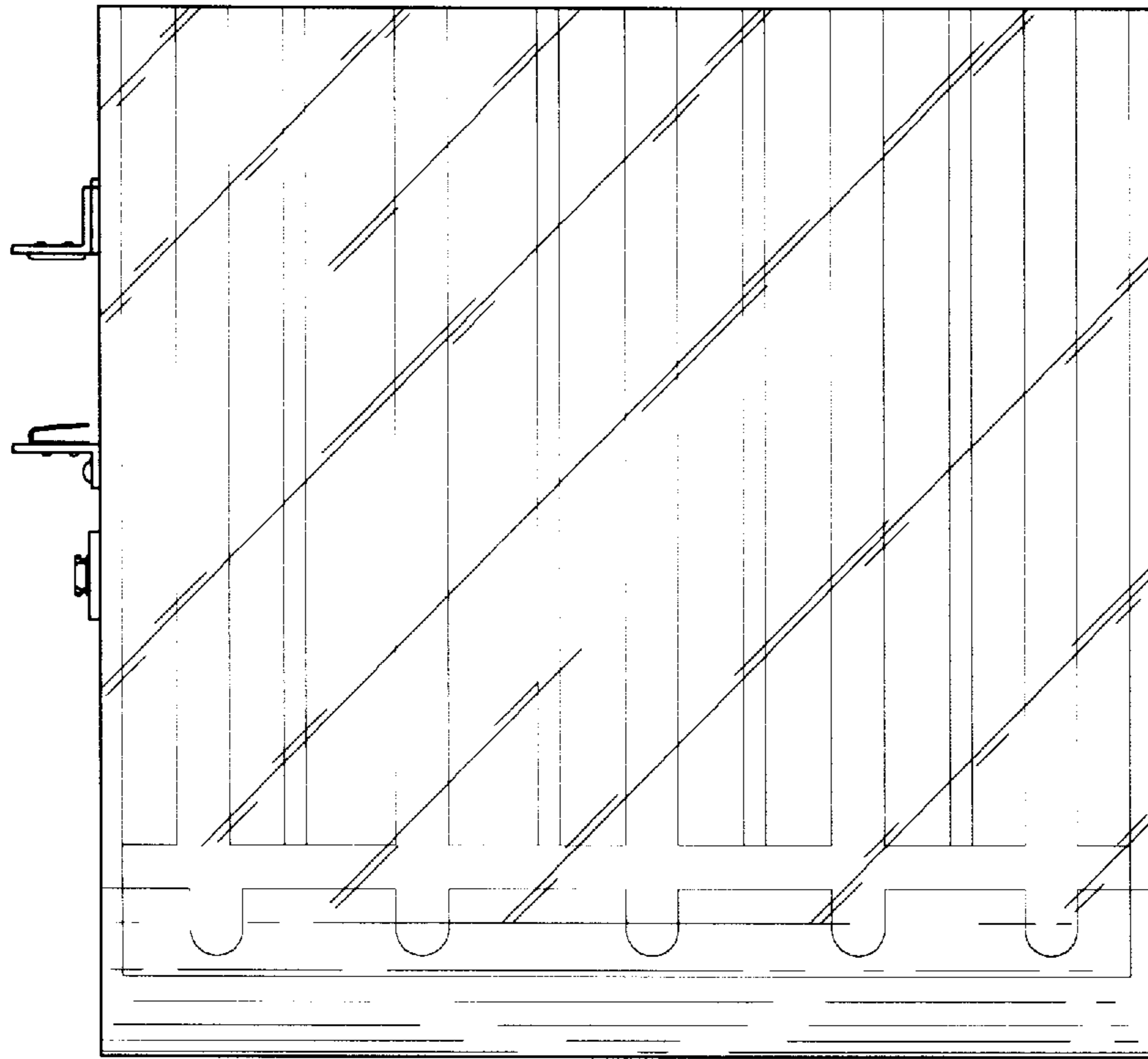
FIG. 5 is a top plan view of the battery holder and recharger of FIG. 1; and,

FIG. 6 is a bottom plan view of the battery holder and recharger of FIG. 1.

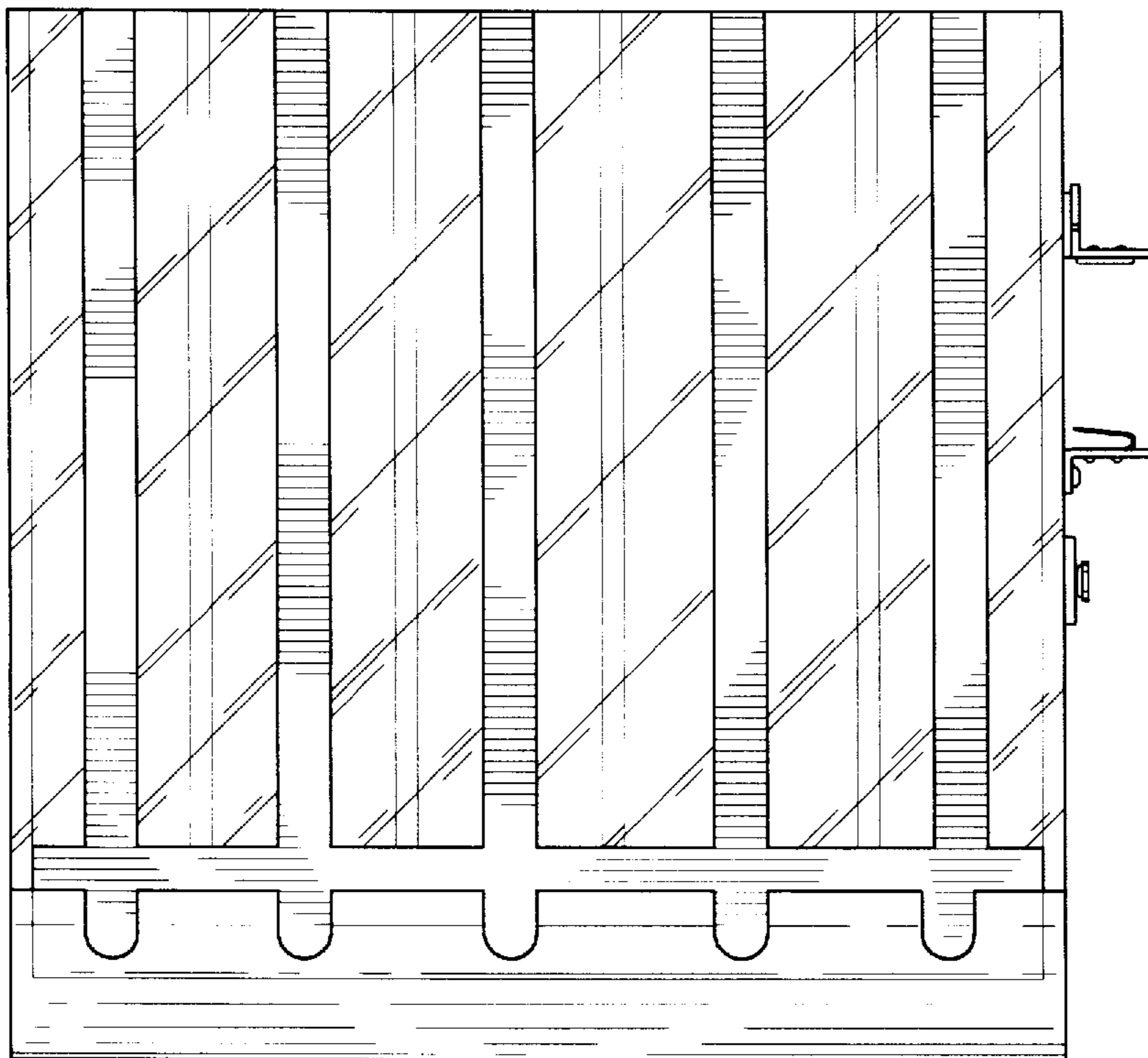
1 Claim, 3 Drawing Sheets

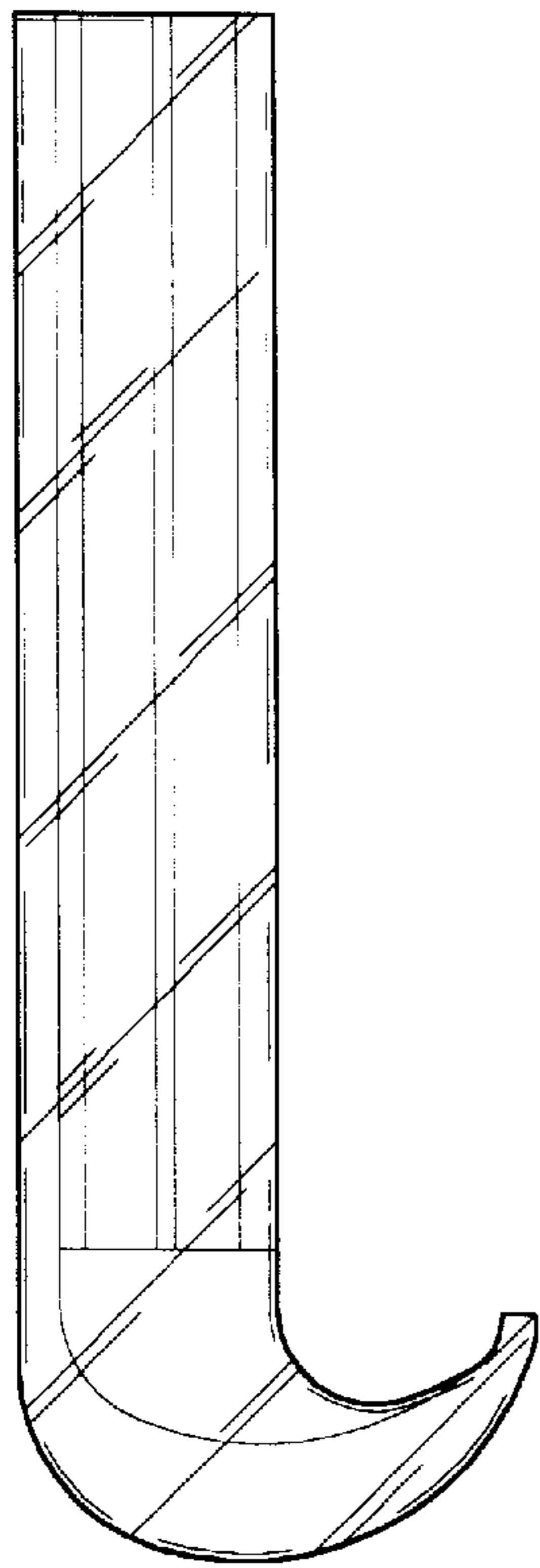


*Fig. 2*

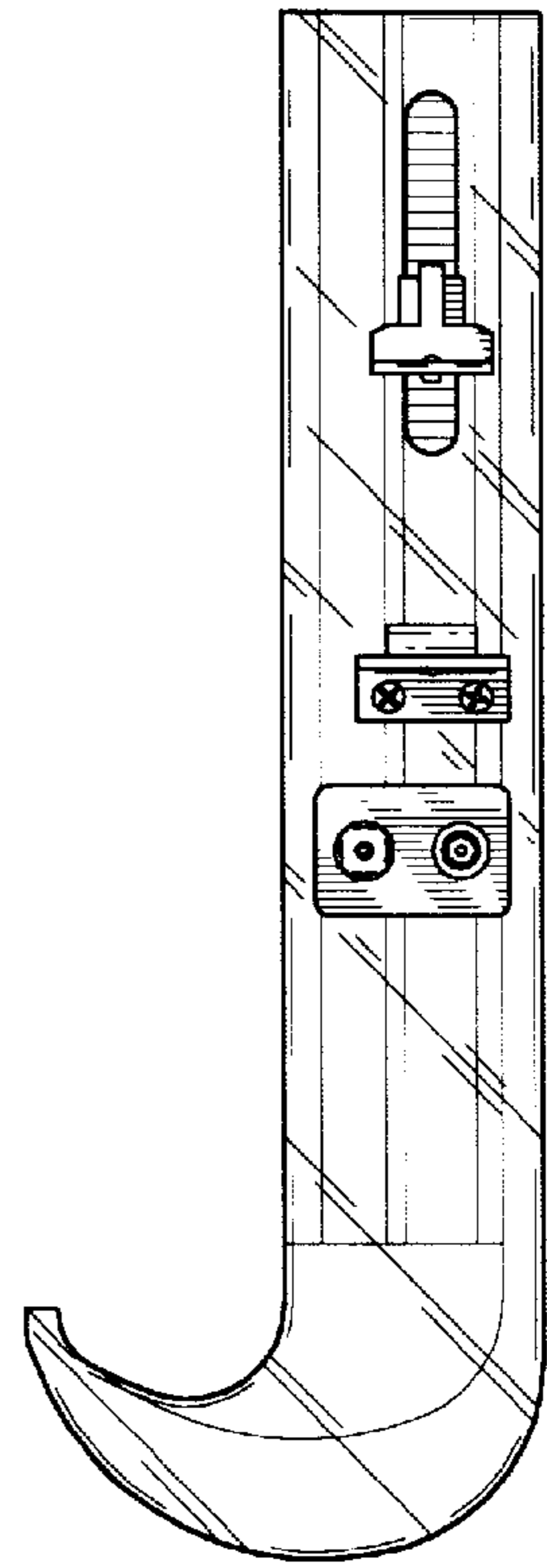


*Fig. 1*

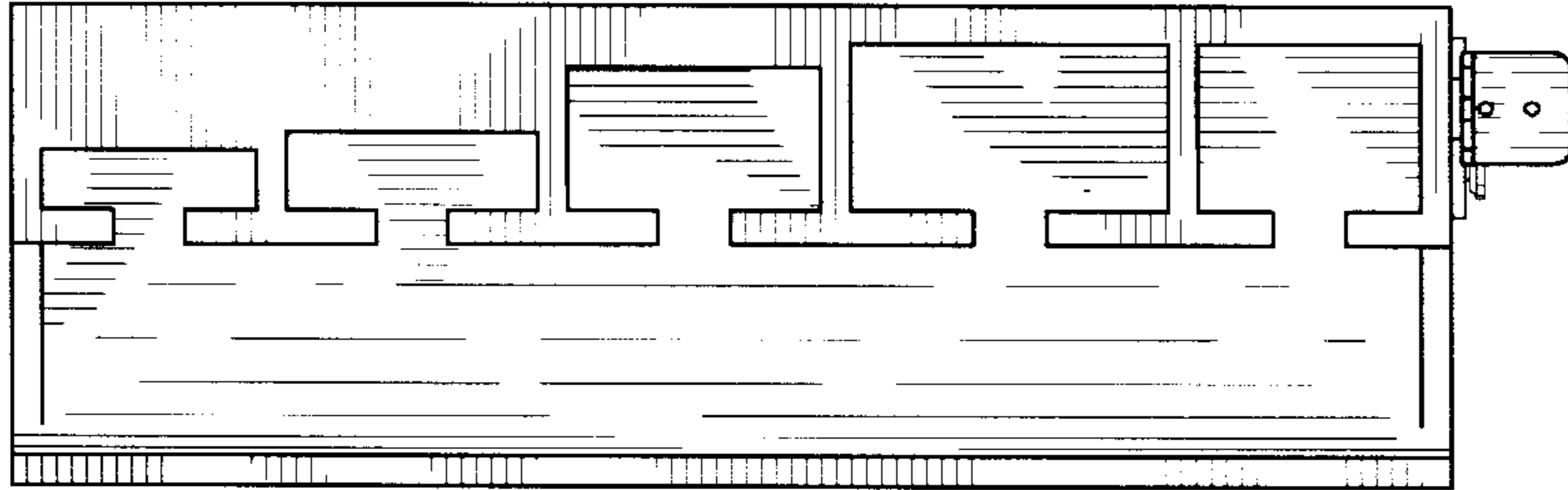




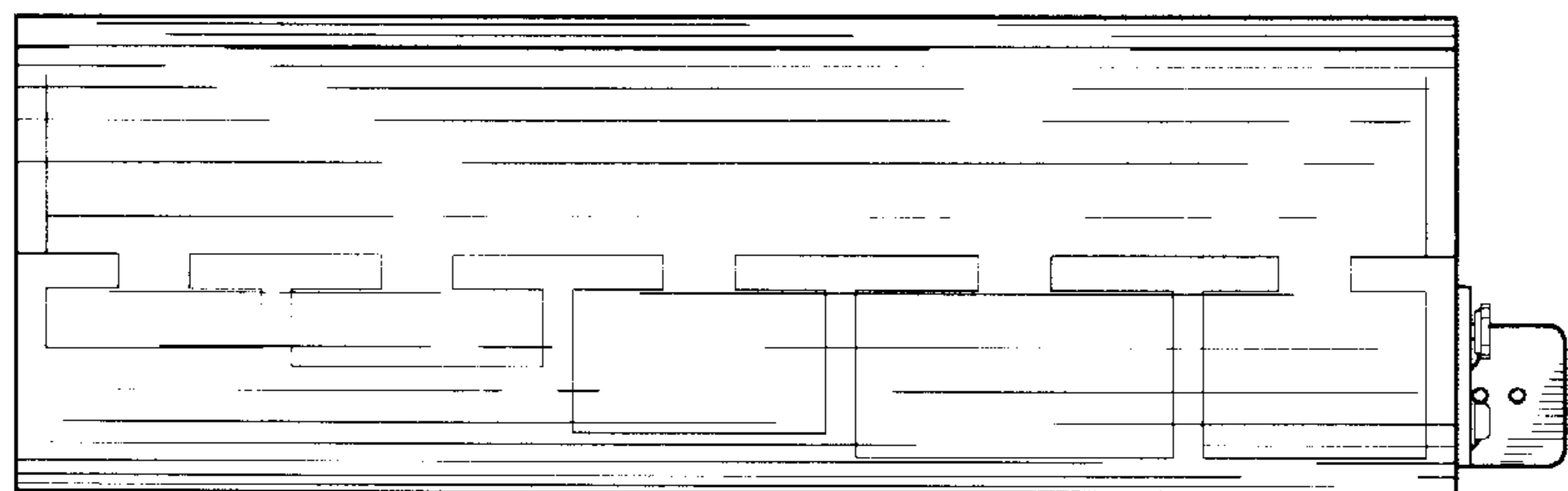
*Fig. 3*



*Fig. 4*



*Fig. 5*



*Fig. 6*