



US00D400846S

United States Patent [19]
Laivins et al.

[11] **Patent Number: Des. 400,846**

[45] **Date of Patent: **Nov. 10, 1998**

[54] **SIDERAIL FOR CART**

[75] Inventors: **Glen A. Laivins**, Reynoldsburg;
Kenneth T. Laivins, Reynoldsburg; **Jon Mandell**, North Canton, all of Ohio

[73] Assignee: **Rubbermaid Incorporated**, Wooster, Ohio

[**] Term: **14 Years**

[21] Appl. No.: **74,095**

[22] Filed: **Jul. 24, 1997**

[51] **LOC (6) Cl.** **12-16**

[52] **U.S. Cl.** **D12/414**

[58] **Field of Search** D12/101, 102,
D12/414; 280/475; 296/3, 10, 41, 43; 410/106,
108, 110, 115, 116

[56] **References Cited**

U.S. PATENT DOCUMENTS

D. 175,069	7/1955	Gandola	D34/14
D. 219,964	2/1971	Parson	D12/101
D. 258,730	3/1981	Jenkins	D12/101
D. 274,896	7/1984	Wilson	D12/102
D. 295,619	5/1988	Reeve	D12/414

D. 352,722	11/1994	Mandell et al.	D15/27
D. 369,328	4/1996	Acosta	D12/101
4,740,008	4/1988	Johnson	280/475

FOREIGN PATENT DOCUMENTS

9418049 8/1994 WIPO .

Primary Examiner—Melody N. Brown
Attorney, Agent, or Firm—Richard B. O’Planick

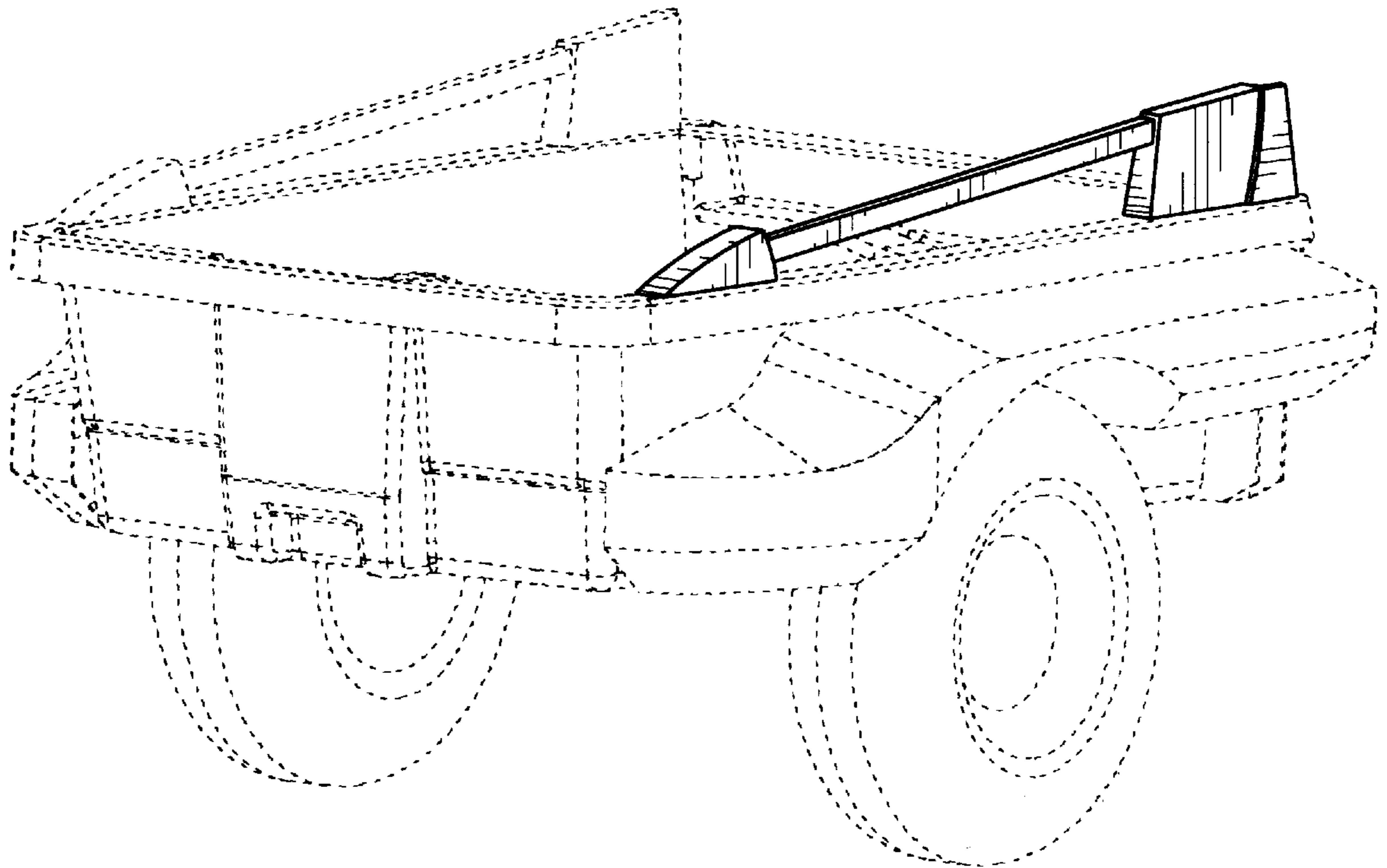
[57] **CLAIM**

The ornamental design for a siderail for cart, as shown and described.

DESCRIPTION

FIG. 1 is a top right front perspective view of a siderail for cart showing our new design, in reduced scale; the broken line showing of a cart is for illustrative purposes only and form no part of the claimed design;
FIG. 2 is a right side elevational view thereof;
FIG. 3 is a top plan view thereof;
FIG. 4 is a left side elevational view thereof;
FIG. 5 is a front elevational view thereof, in enlarged scale;
FIG. 6 is a rear elevational view thereof, in enlarged scale; and,
FIG. 7 is a bottom plan view thereof.

1 Claim, 6 Drawing Sheets



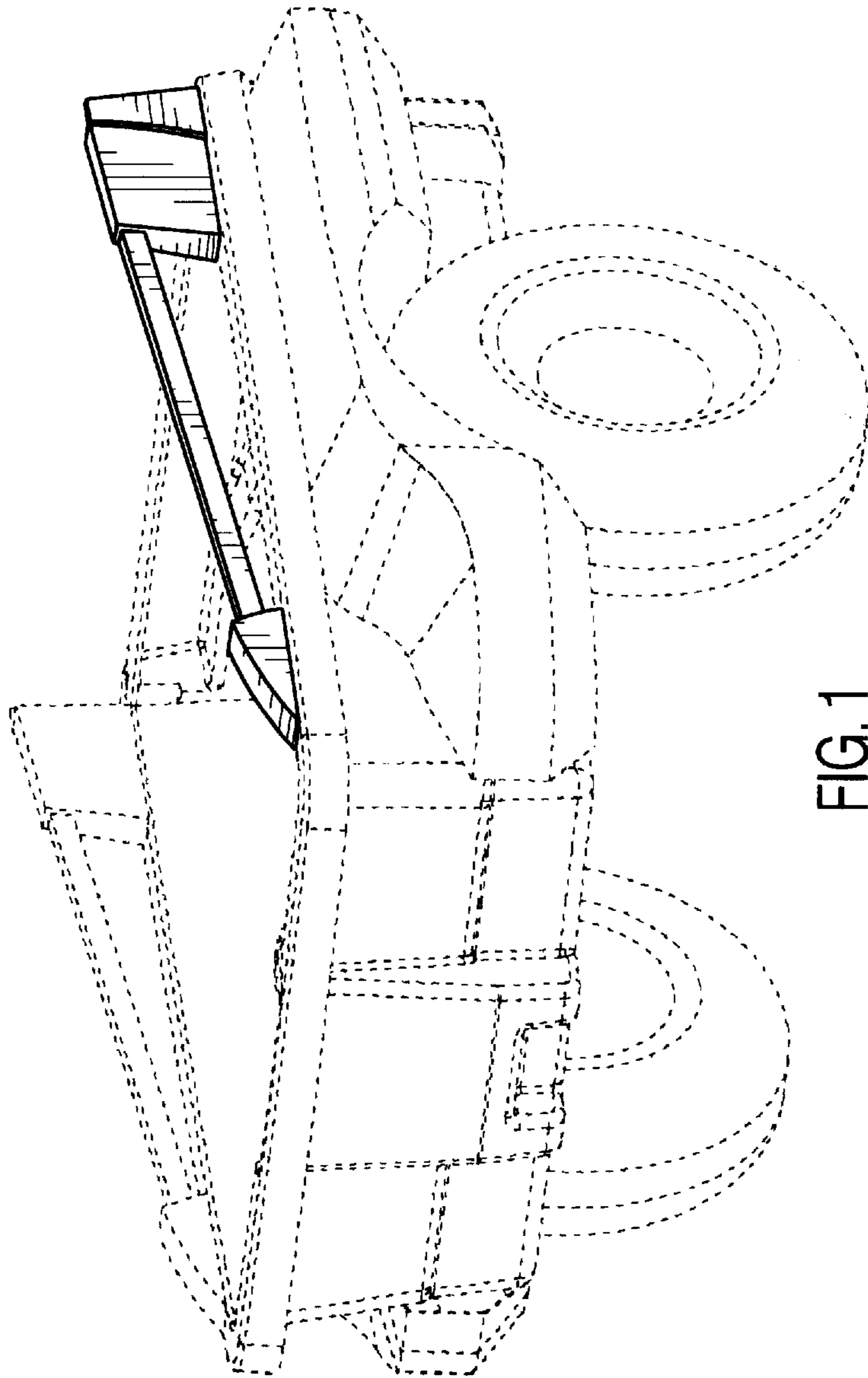


FIG. 1

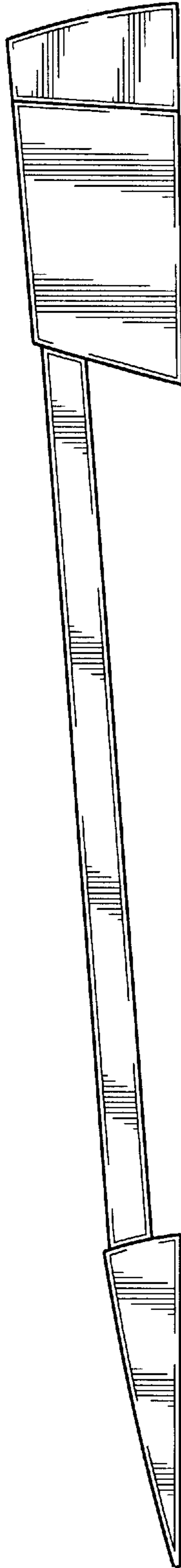


FIG. 2

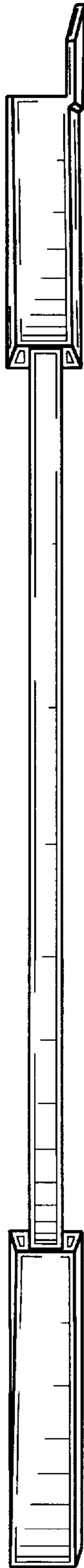


FIG. 3

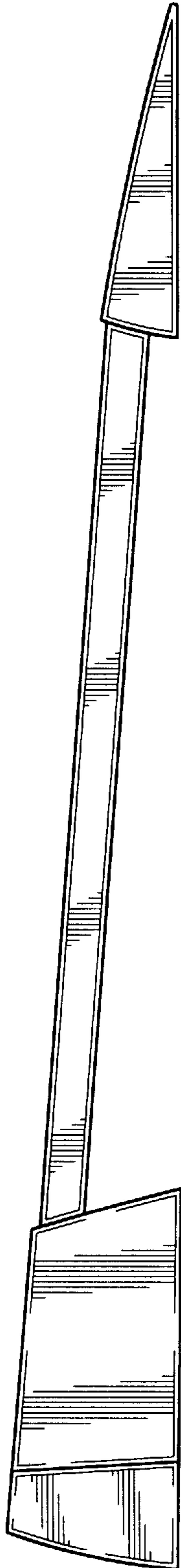


FIG. 4

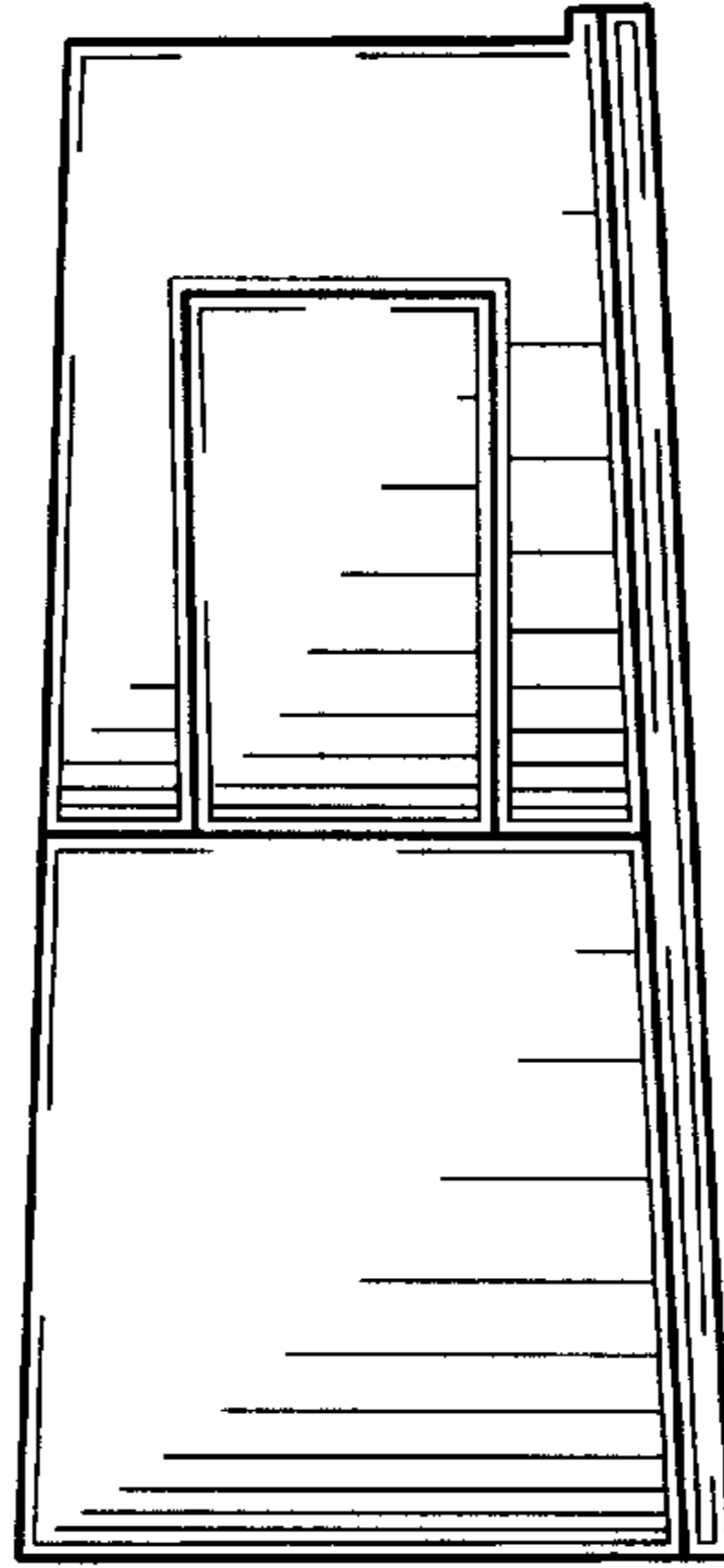


FIG. 5

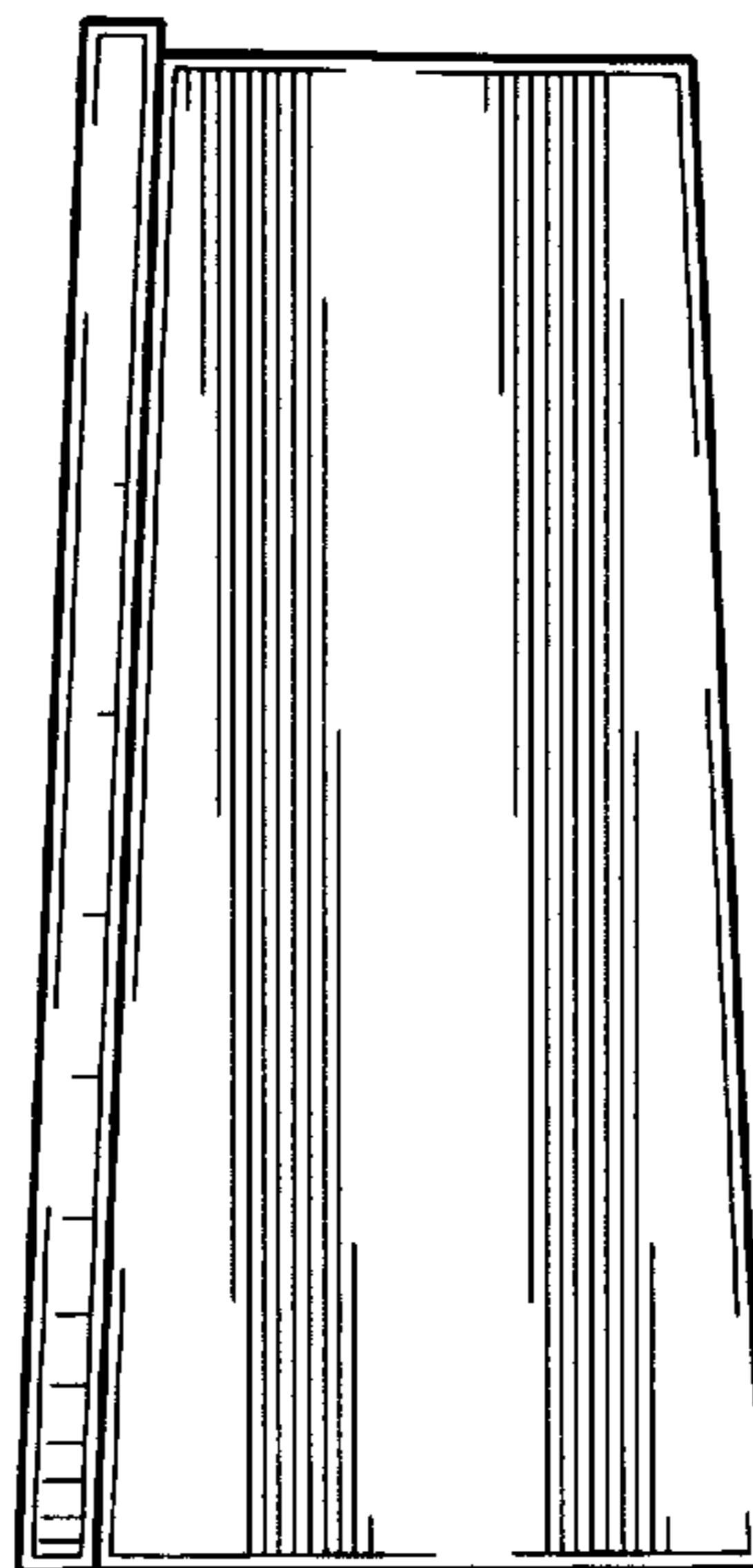


FIG. 6

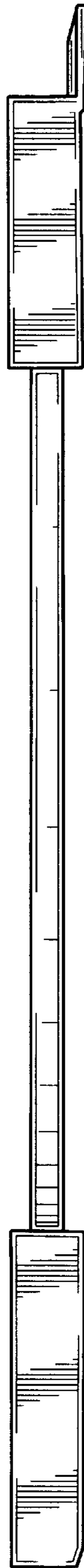


FIG. 7