

US00D400832S

United States Patent [19]

Dixon et al.

[11] Patent Number: Des. 400,832

[45] Date of Patent: **Nov. 10, 1998

[54] TIRE TREAD

D. 391,208 2/1998 Guspodin et al. D12/147
4,702,292 10/1987 Baayer 152/209 R

[75] Inventors: Max Harold Dixon, Bedford, Pa.;
Samuel Eubanks Reckley, LaVale;
Joseph Henry Laco, Cresaptown, both
of Md.; Keith Eric Grabo, Brecksville;
William Eugene Glover, Akron, both
of Ohio

FOREIGN PATENT DOCUMENTS

M 92 09 102 8/1994 Germany .

Primary Examiner—Robert M. Spear
Attorney, Agent, or Firm—T. P. Lewandowski

[73] Assignee: The Goodyear Tire & Rubber
Company, Akron, Ohio

[57] CLAIM

The ornamental design for a tire tread, as shown and
described.

[**] Term: 14 Years

DESCRIPTION

[21] Appl. No.: 75,822

FIG. 1 is a perspective view of a tire tread showing our new
design, it being understood that the pattern repeats uniformly
throughout the circumference of the tread;

[22] Filed: Aug. 26, 1997

FIG. 2 is a front elevational view thereof;

[51] LOC (6) Cl. 12-15

[52] U.S. Cl. D12/147

[58] Field of Search D12/134-136,
D12/138, 140-151, 204, 210, 212; 152/209 R,
209 A, 209 D

FIG. 3 is a side elevational view thereof, the opposite side
elevational view being a mirror image thereof;

FIG. 4 is an enlarged fragmentary front perspective view
thereof;

[56] References Cited

U.S. PATENT DOCUMENTS

- D. 294,339 2/1988 Brayer D12/146
- D. 308,659 6/1990 Brayer D12/146
- D. 320,772 10/1991 Hasegawa D12/147
- D. 320,969 10/1991 Kobayashi et al. D12/147
- D. 346,774 5/1994 Brayer et al. D12/147
- D. 347,814 6/1994 Brayer D12/147
- D. 354,034 1/1995 McKisson D12/147
- D. 384,615 10/1997 Lim et al. D12/147
- D. 386,728 11/1997 Jeong D12/147
- D. 388,374 12/1997 Lim et al. D12/147
- D. 390,512 2/1998 Eromaki D12/147
- D. 390,513 2/1998 Guspodin et al. D12/147
- D. 390,516 2/1998 Lassan et al. D12/147
- D. 391,204 2/1998 Harpes et al. D12/147

FIG. 5 is a perspective view of a second embodiment of a
tire tread showing our new design, it being understood that
the pattern repeats uniformly throughout the circumference
of the tread;

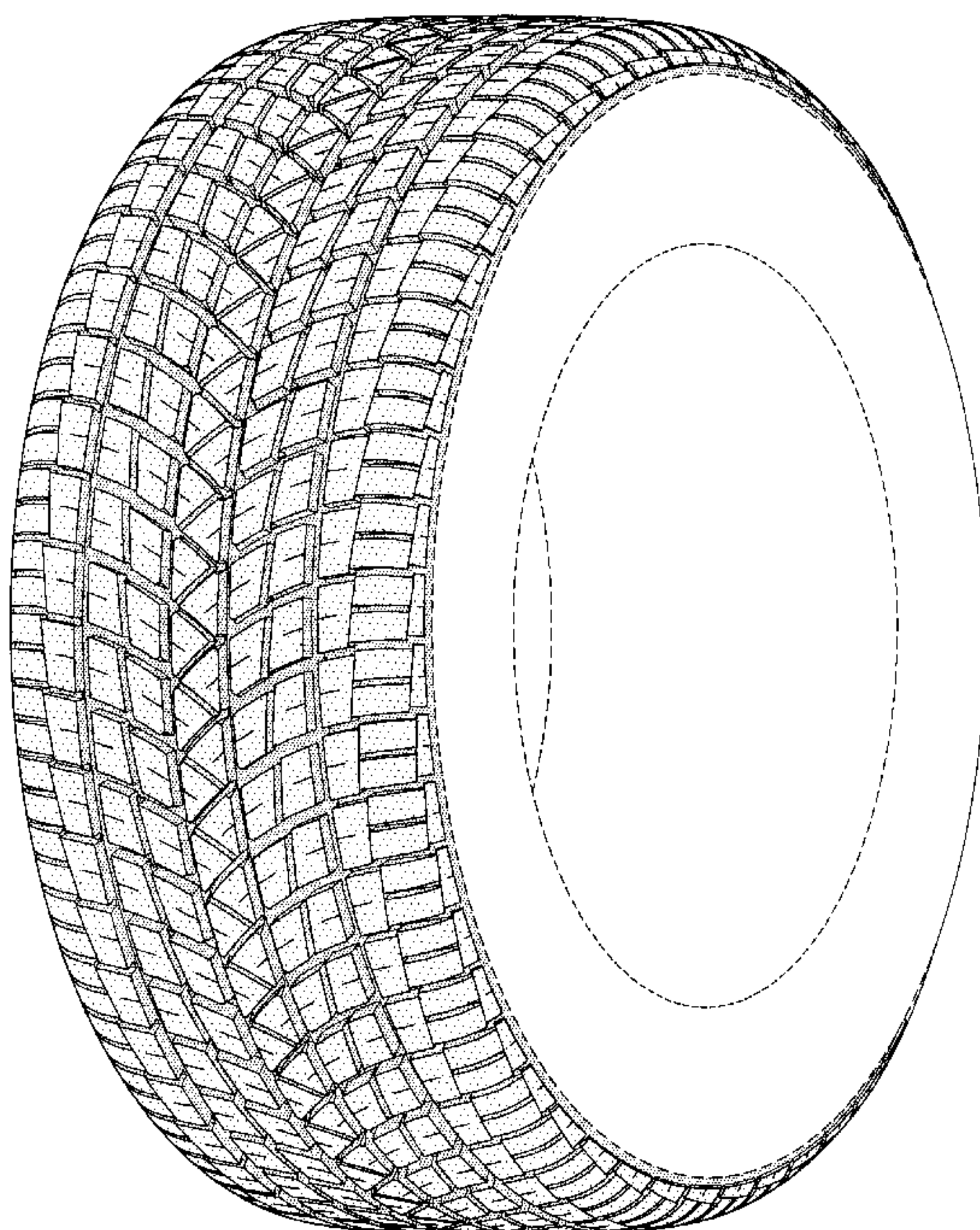
FIG. 6 is a front elevational view of the tread in FIG. 5;

FIG. 7 is a side elevational view of the tread in FIG. 5, the
opposite side elevational view being a mirror image thereof;
and,

FIG. 8 is an enlarged fragmentary front perspective view of
the tread in FIG. 5.

In the drawings, the broken lines defining the inner bead of
the sidewall and the peripheral boundary between the tire
tread and the sidewall are for illustrative purposes only and
form no part of the claimed design.

1 Claim, 8 Drawing Sheets



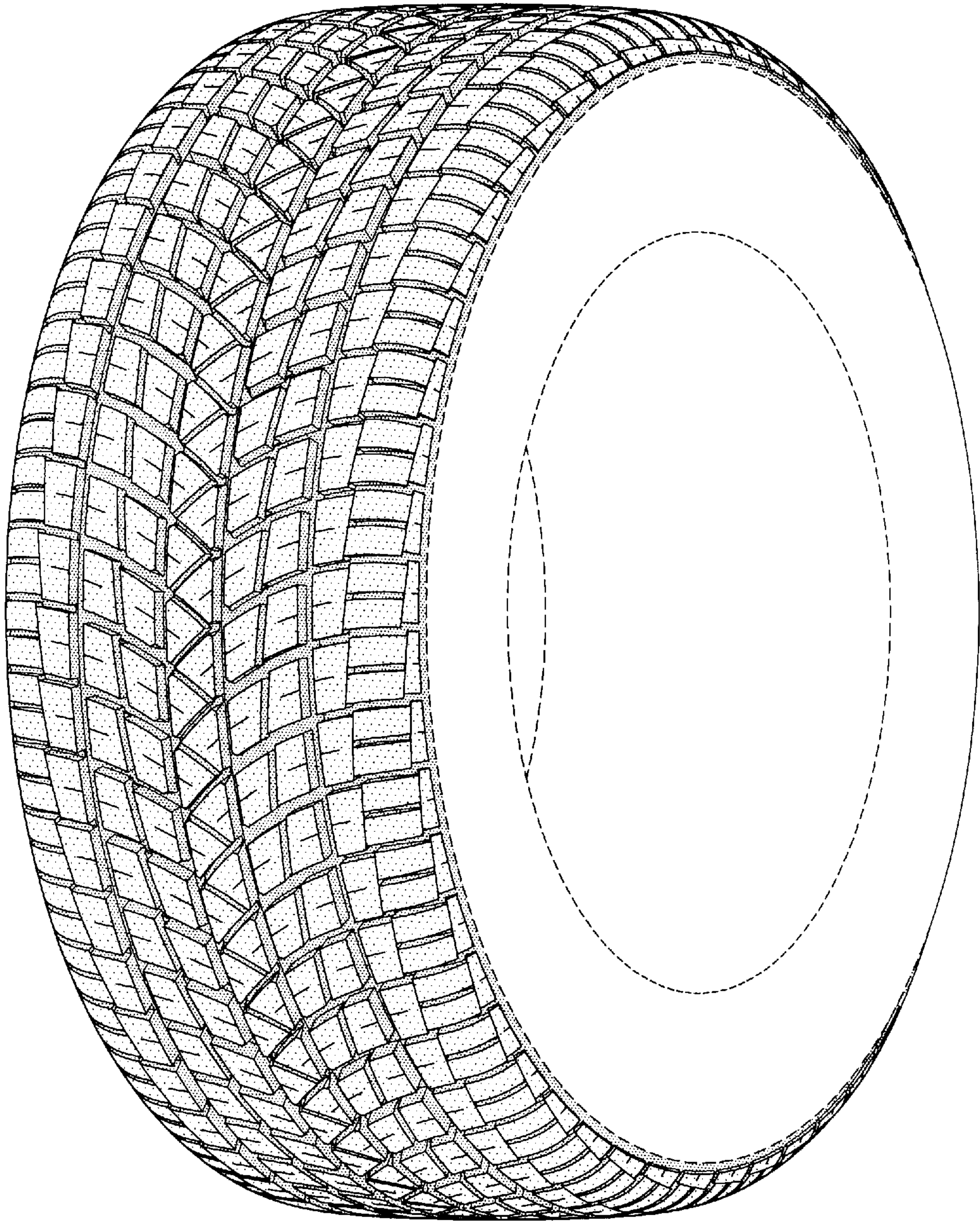


FIG-1

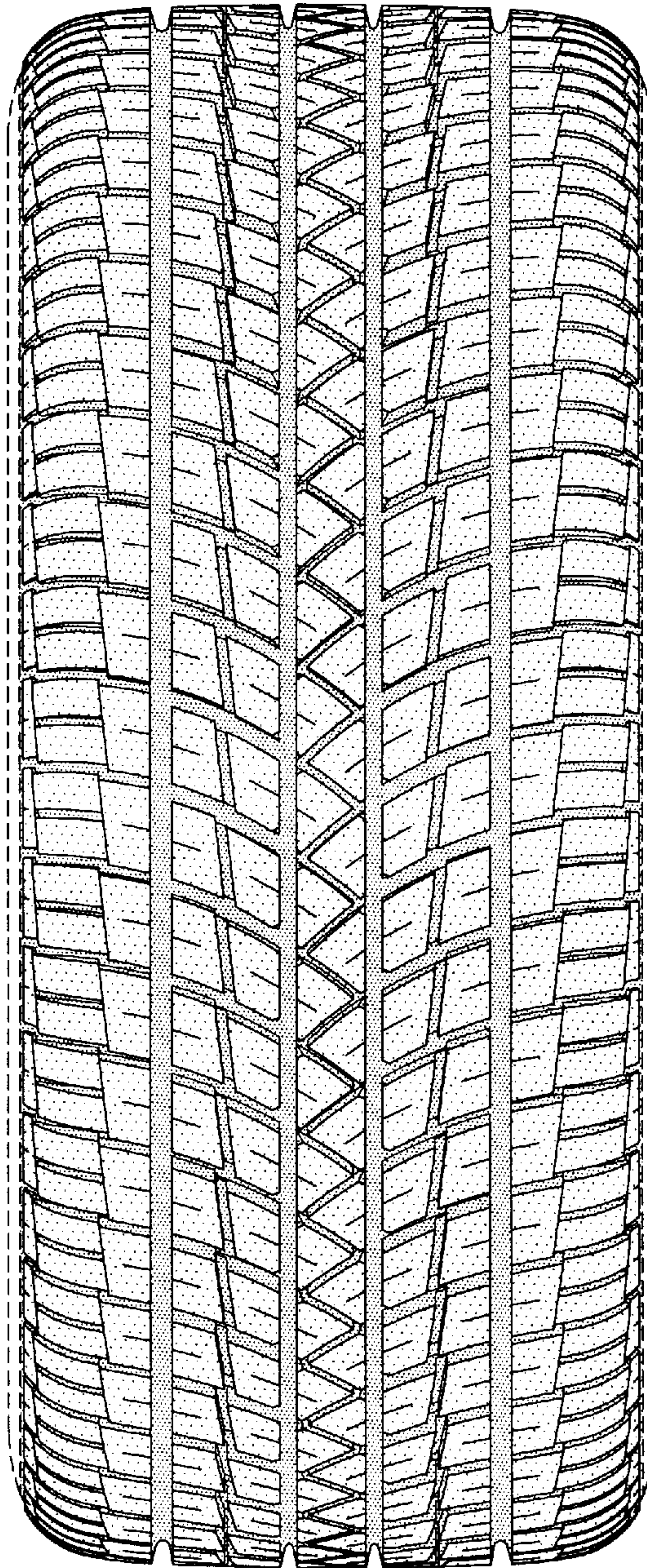


FIG-2

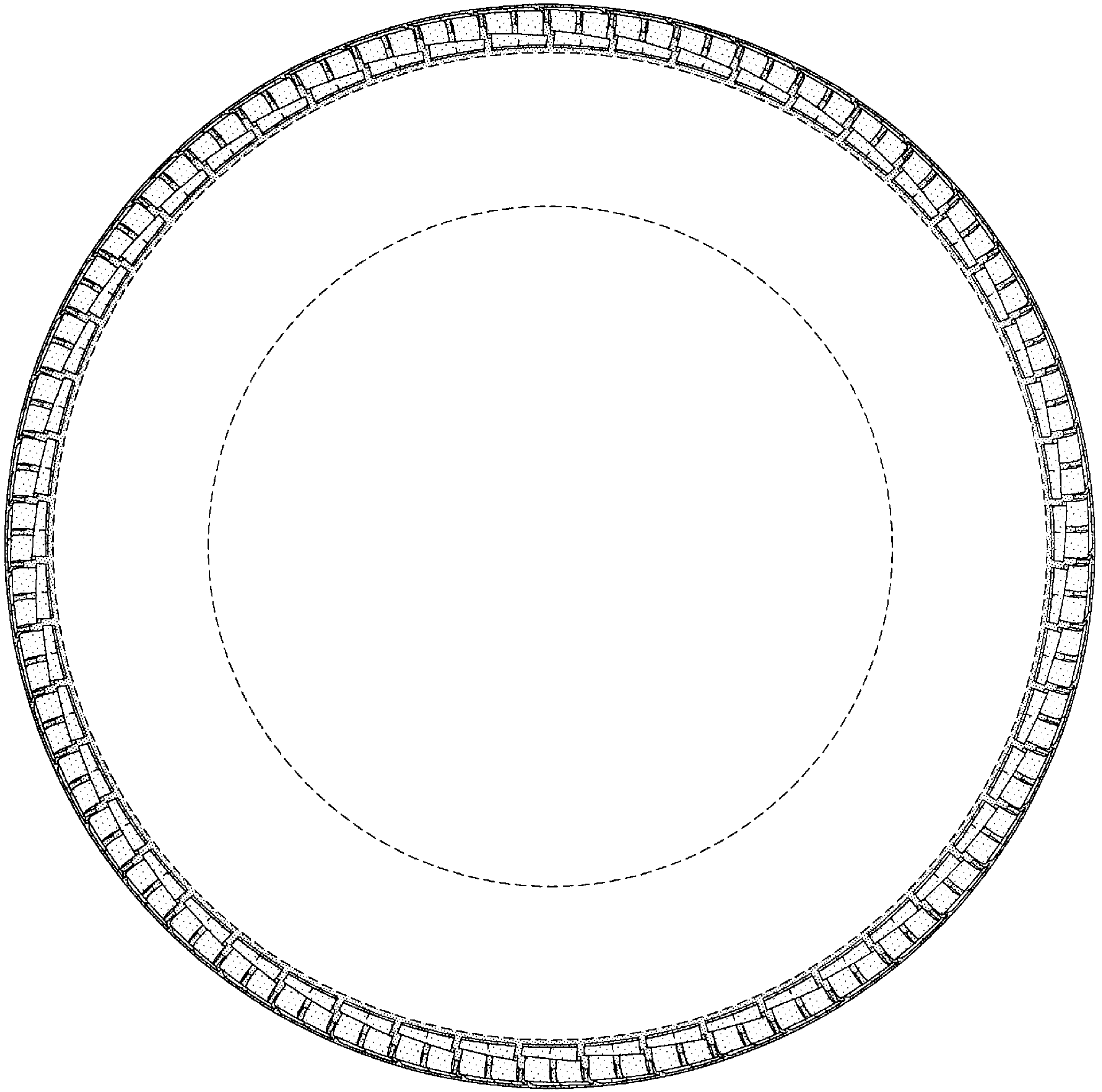


FIG-3

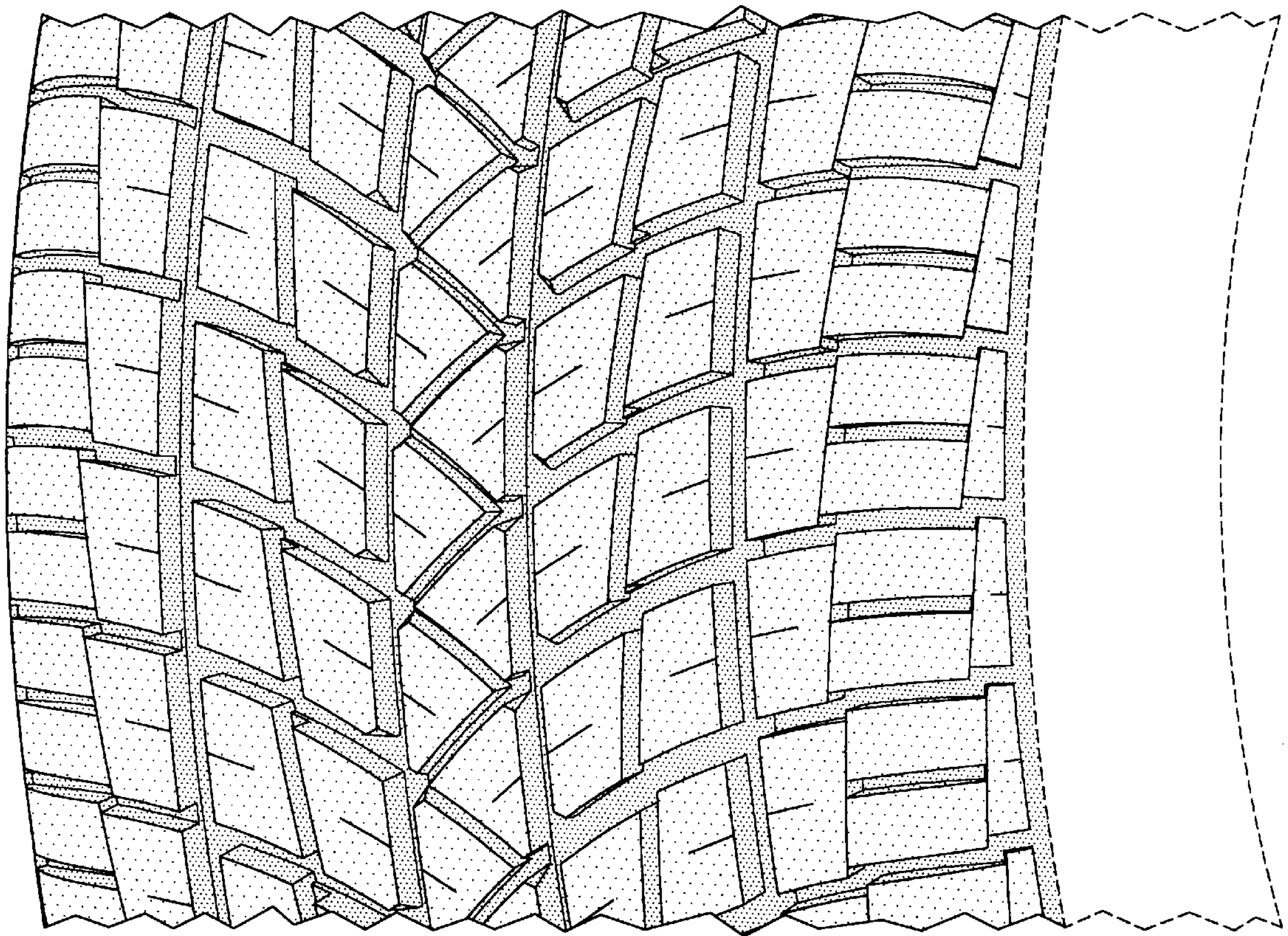


FIG-4

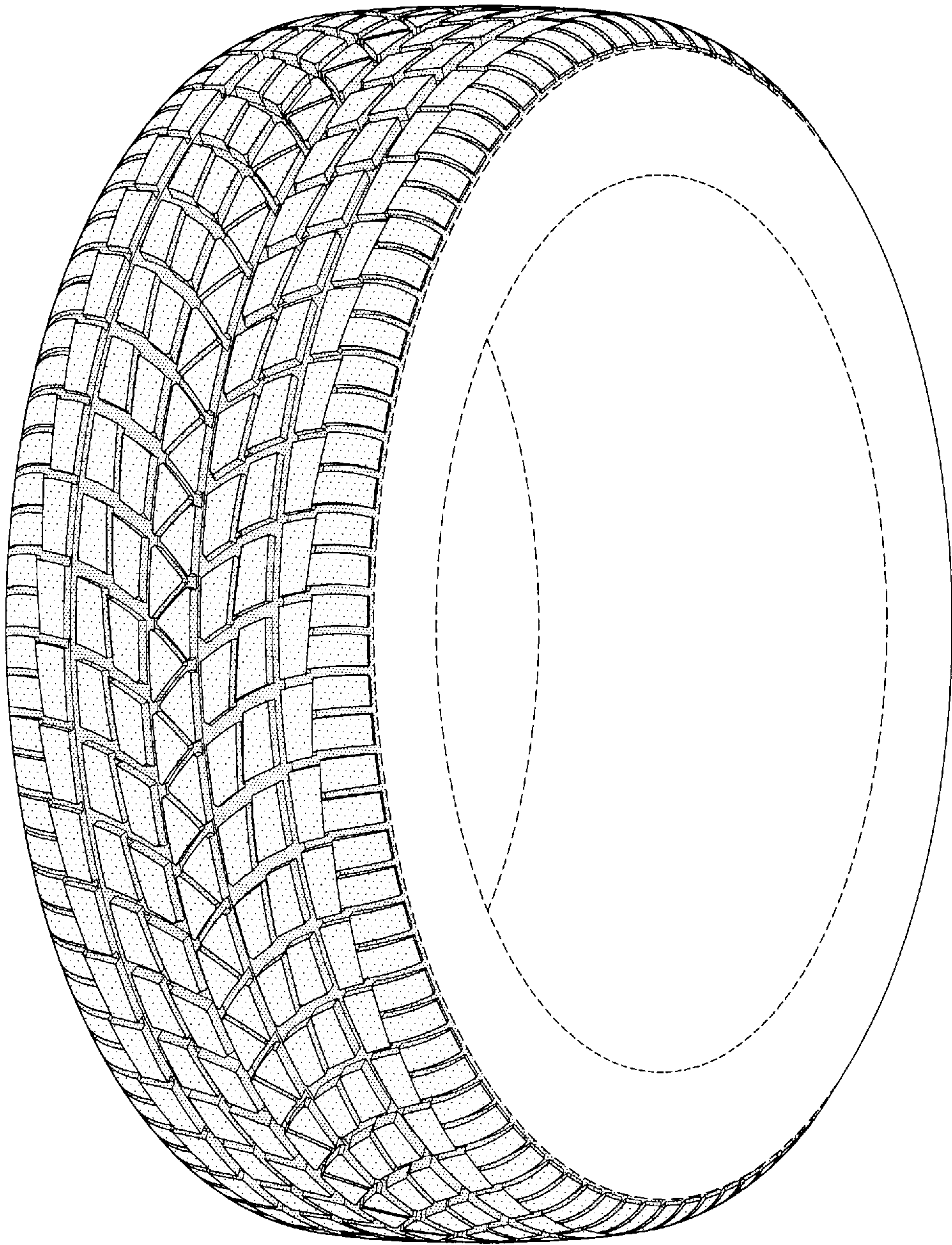


FIG-5

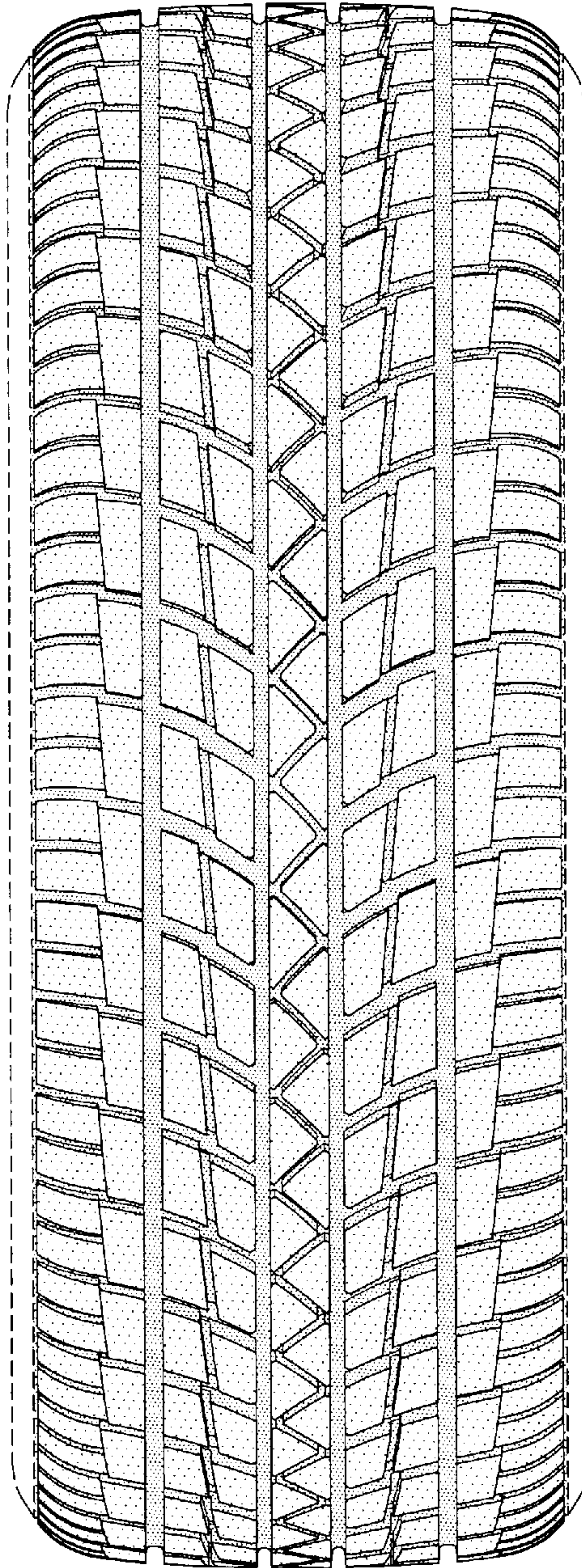


FIG-6

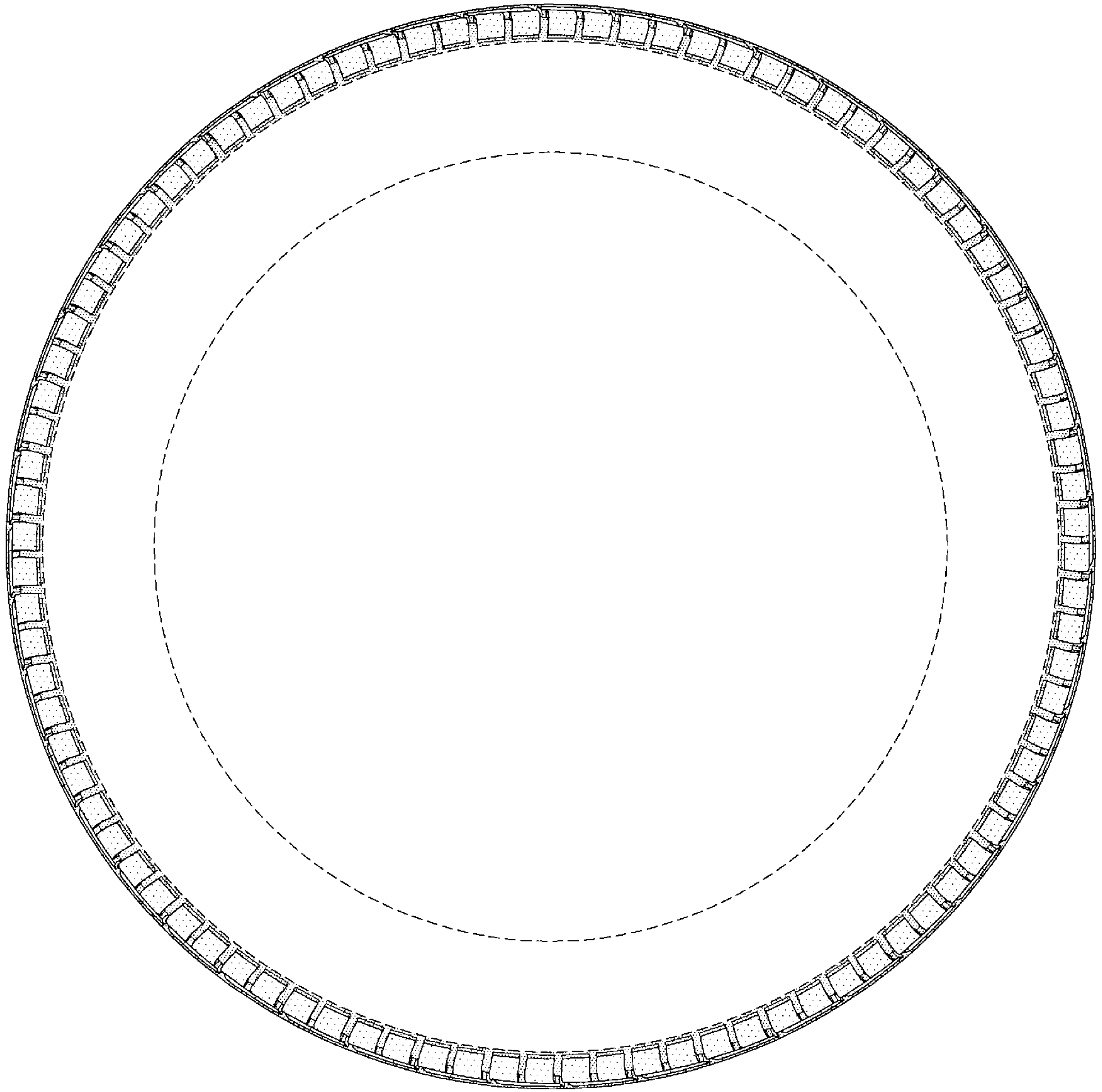


FIG-7

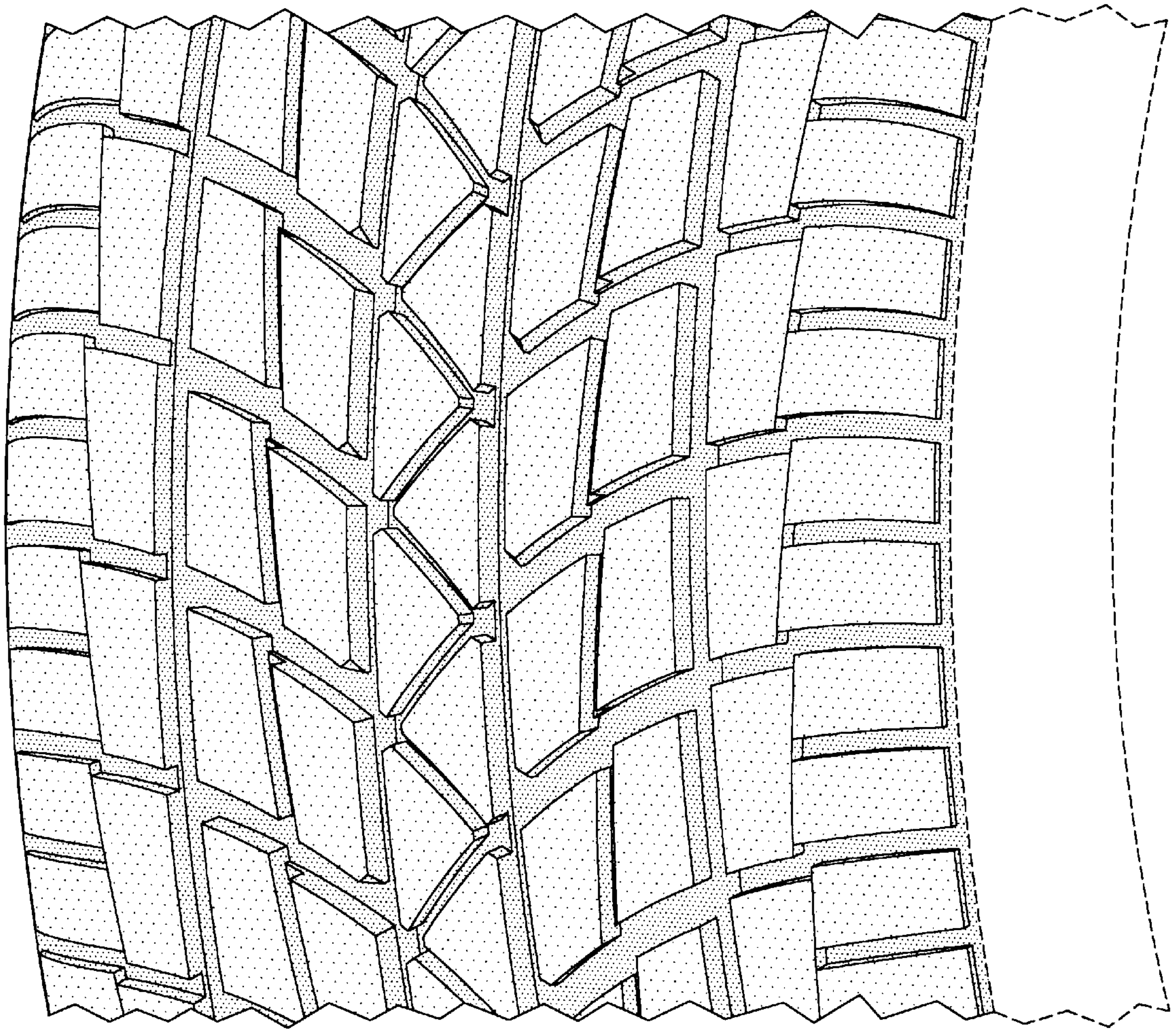


FIG-8